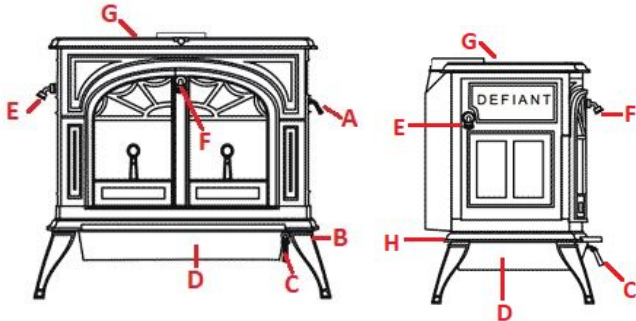


Wood Stove

SEE WEBSITE FOR YOUTUBE TUTORIAL:

palisaderentals.com/bowhouse



Troubleshooting

If the **stove top thermometer (G)** reaches temps above 600 degrees, dapen the fire using the **damper lever (A)**. The further it's slid toward the back of the stove the less air will reach the fire which will in turn will cool the stove. If temps drop below 300 degrees, slide lever towards the front of the stove.

If the **catalyst thermometer (H)** is near the top of the white range (too hot) dapen the fire using the **damper lever (A)**. The further it's slid toward the back of the stove the less air will reach the catalyst chamber which will in turn cool the catalyst. If the needle falls below the white range, de-activate the catalyst by pushing the **catalyst lever (E)** all the way towards the back of the stove and add wood.

ADDING WOOD: Always deactivate catalyst when adding wood (slide **catalyst lever (E)** all the way towards the back of the stove.)

Cleaning the Ashes

Turn the **ashtray lever, (C)** pull outwards and pick the **ashtray (D)** out of it's frame. Take the ashtray outside through the kitchen door and dump the ashes into the metal trash can on the patio.

When putting the ashtray back make sure the lever is **fully latched** otherwise a dangerous situation known as **backdrafting** will occur.

Building the Fire

Before building a fire make sure the **damper lever (A)** is pulled all the way towards the front of the stove and the **catalyst lever (E)** is pushed all the way towards the back of the stove. Insert the **handle (B)** into the **door latch (F)** and twist to open the doors. **Always return handle to holder.**

- 1) Make a layer of paper, kindling and one or two pieces of small firewood.
- 2) Light the paper, close the doors.
- 3) Allow the kindling and firewood to burn until the paper is gone.
- 4) Add a couple more small pieces of hardwood firewood and periodically add more wood, increasing in size.
- 5) When the **stove top thermometer (G)** reaches the red zone (over 500) activate the catalyst by pulling the **catalyst lever (E)** all the way towards the front of the stove.
- 6) Keep the **catalyst thermometer (H)** in the white range.
- 7) Keep the **stove top thermometer (G)** between 300 and 600 degrees.
- 8) **If the stove becomes too hot,** use **damper lever (A)** to choke the fire. The further the lever is slid back the less air goes to the fire which in turn will starve the fire and cool the stove.