



US00D895404S

(12) **United States Design Patent** (10) **Patent No.:** **US D895,404 S**  
**Lemieux et al.** (45) **Date of Patent:** **\*\* Sep. 8, 2020**

- (54) **SUPPORT STAND FRAME EXTRUSION**
- (71) Applicant: **ID Technology LLC**, Ft. Worth, TX (US)
- (72) Inventors: **Francois Lemieux**, Quebec (CA); **Mark T. Snedecor**, Fort Worth, TX (US)
- (73) Assignee: **ID TECHNOLOGY LLC**, Fort Worth, TX (US)
- (\*\*) Term: **15 Years**
- (21) Appl. No.: **29/693,134**
- (22) Filed: **May 31, 2019**
- (51) **LOC (12) Cl.** ..... **08-05**
- (52) **U.S. Cl.**  
USPC ..... **D8/354**; D25/124; D15/145
- (58) **Field of Classification Search**  
USPC ..... D8/354, 373-377; D25/35, 61, 102, D25/119-123, 124-125; D20/43, 44; D15/145  
CPC .. B65B 65/00; B65C 9/00; B65C 9/08; B65C 9/26  
See application file for complete search history.

D382,653	S	*	8/1997	Colitto	.....	D25/122
D395,525	S	*	6/1998	Rinot	.....	D25/122
D410,290	S	*	5/1999	Gabriele	.....	D25/122
D424,213	S	*	5/2000	Chaney	.....	D25/122
D455,841	S	*	4/2002	Fisher	.....	D25/61
D514,712	S	*	2/2006	Fannan	.....	D25/124
D548,063	S	*	8/2007	Allen	.....	D8/377
D587,731	S	*	3/2009	Niedermeyer	.....	D25/124
D596,319	S	*	7/2009	Koehn	.....	D25/122
D598,574	S	*	8/2009	Bergmann	.....	D25/122
D610,715	S	*	2/2010	Koehn	.....	D25/124
D611,169	S	*	3/2010	Harder	.....	D25/122
D631,171	S	*	1/2011	Konrad	.....	D25/124
D666,328	S	*	8/2012	Morton	.....	D25/122
D666,329	S	*	8/2012	Morton	.....	D25/122
D673,343	S	*	12/2012	Thiele	.....	D25/119
D732,698	S	*	6/2015	Meng	.....	D25/61
D777,814	S	*	1/2017	Verhoeven	.....	D15/145
2008/0054238	A1		3/2008	Craig		
2010/0206364	A1*		8/2010	Armstrong	.....	E06B 9/52 136/252
2020/0123840	A1*		4/2020	Koster	.....	E06B 1/36

\* cited by examiner

*Primary Examiner* — Llorellys Martinez  
(74) *Attorney, Agent, or Firm* — Thompson Hine LLP

(57) **CLAIM**

The ornamental design for a support stand frame extrusion, as shown and described.

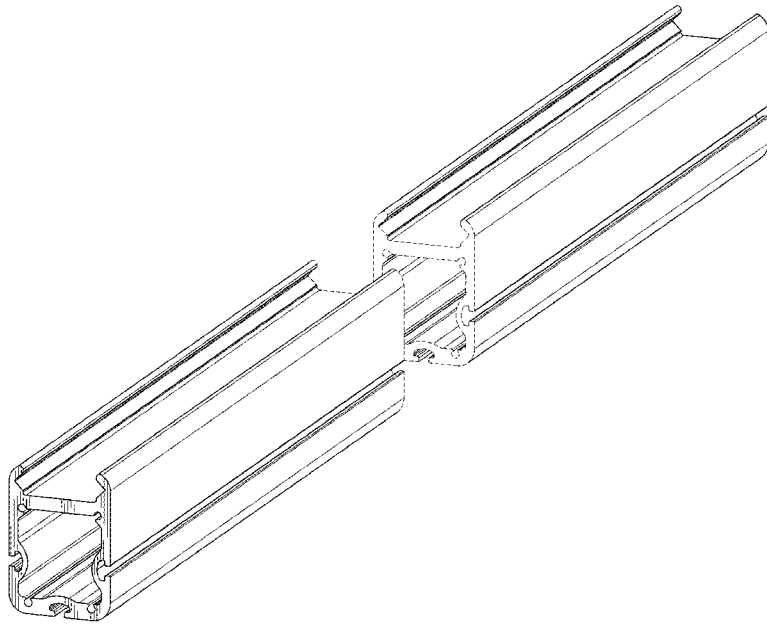
(56) **References Cited**  
U.S. PATENT DOCUMENTS

D245,708	S	*	9/1977	Dallaire	.....	D25/122
D251,451	S	*	3/1979	Toder	.....	D25/121
D301,067	S	*	5/1989	Dallaire	.....	D25/124
D324,506	S	*	3/1992	Phillips	.....	D25/119
D330,264	S	*	10/1992	Valentin	.....	D25/124
D330,431	S	*	10/1992	Wang	.....	D25/119
D330,433	S	*	10/1992	Valentin	.....	D25/124
D378,424	S	*	3/1997	Leonelli	.....	D25/122
D382,652	S	*	8/1997	Colitto	.....	D25/122

**DESCRIPTION**

FIG. 1 is a perspective view of a support stand frame extrusion according to our new design; and, FIG. 2 is an end view. The support stand frame extrusion is shown with a symbolic break in its length. The appearance of any portion of the support stand frame extrusion between the break lines forms no part of the claimed design.

**1 Claim, 2 Drawing Sheets**



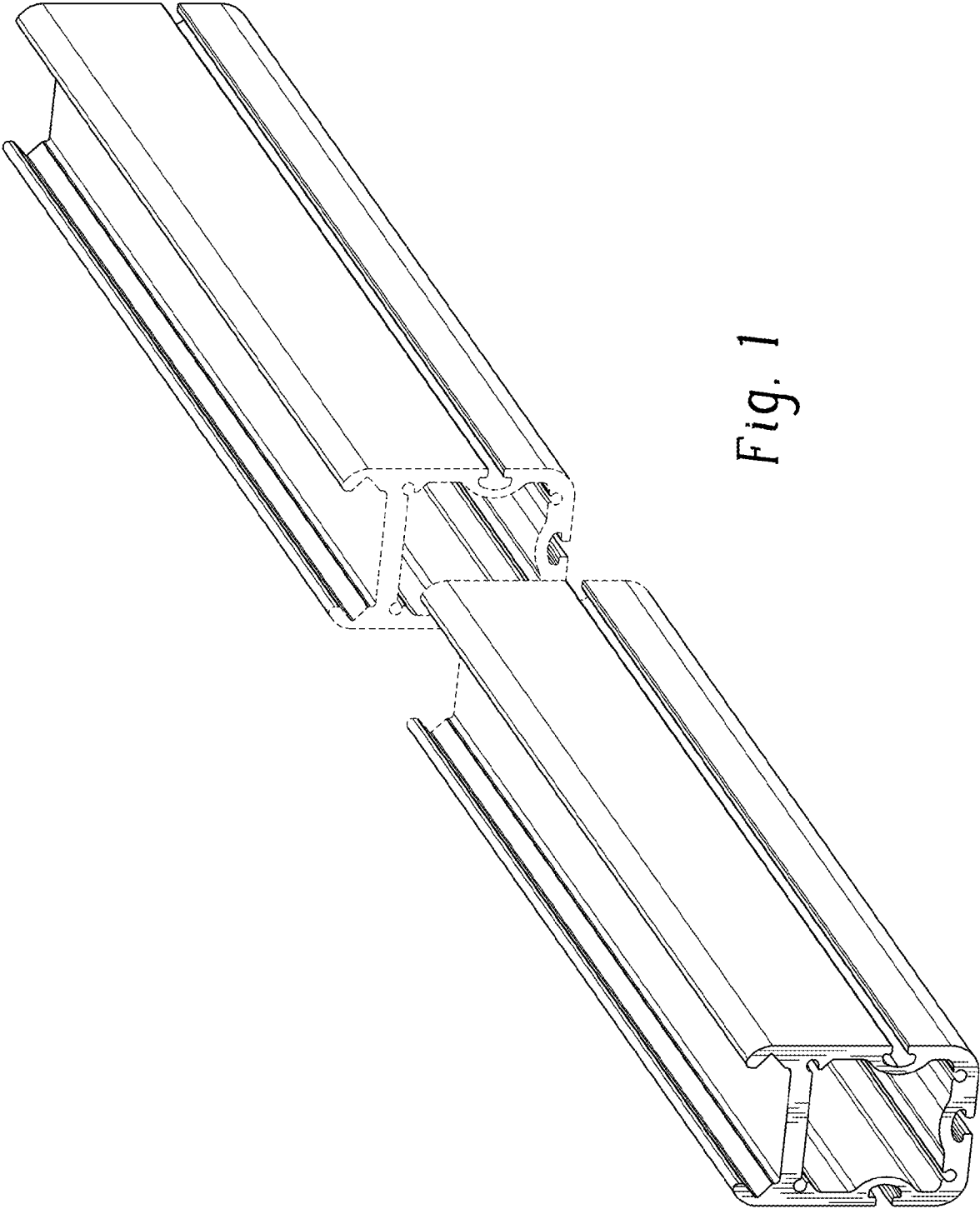
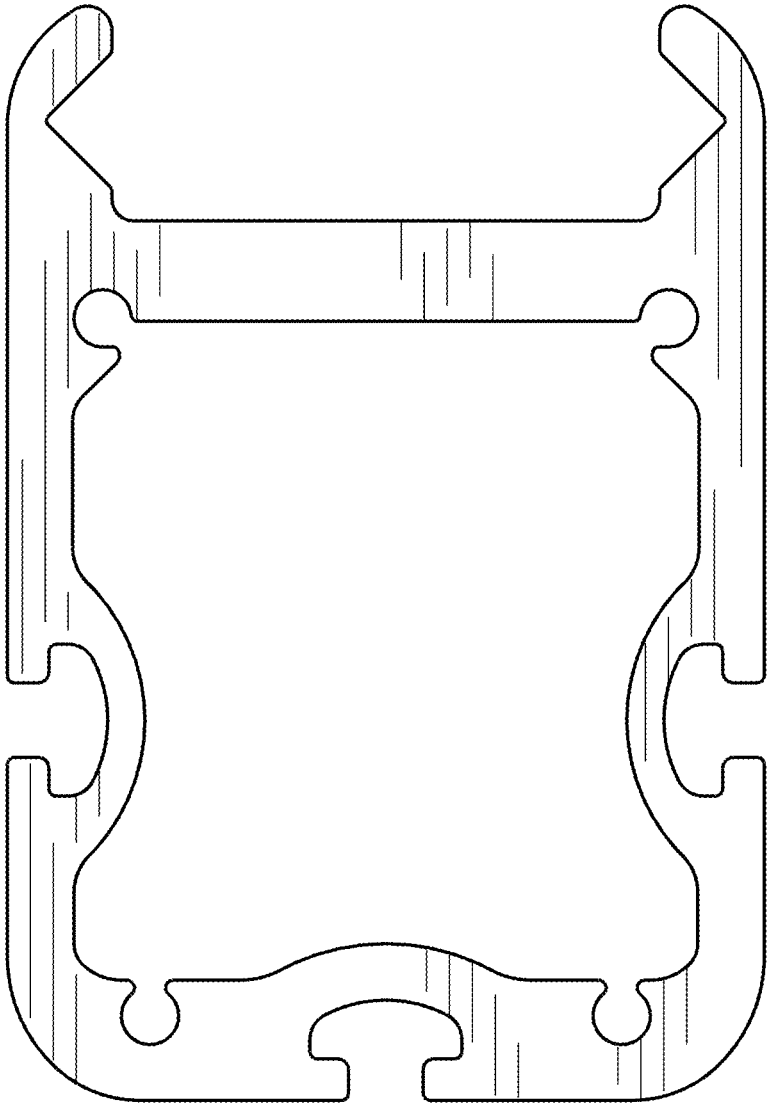


Fig. 1



*Fig. 2*