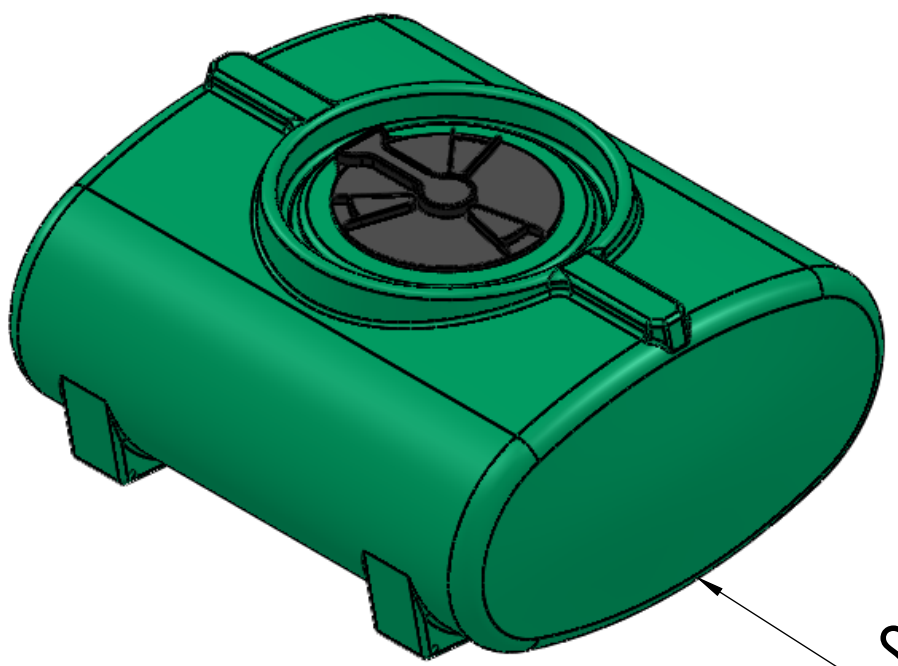
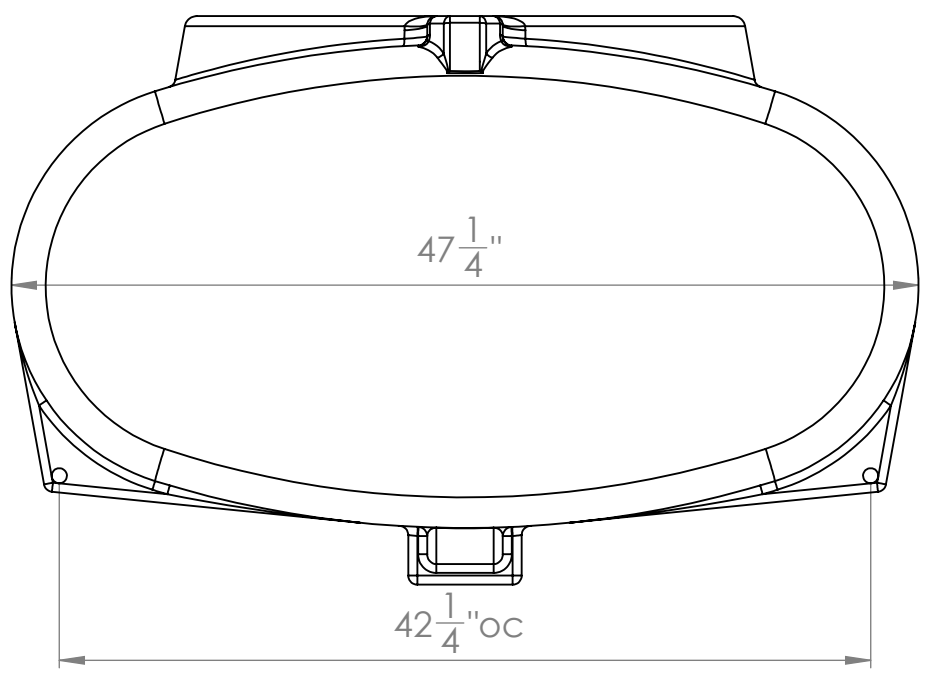


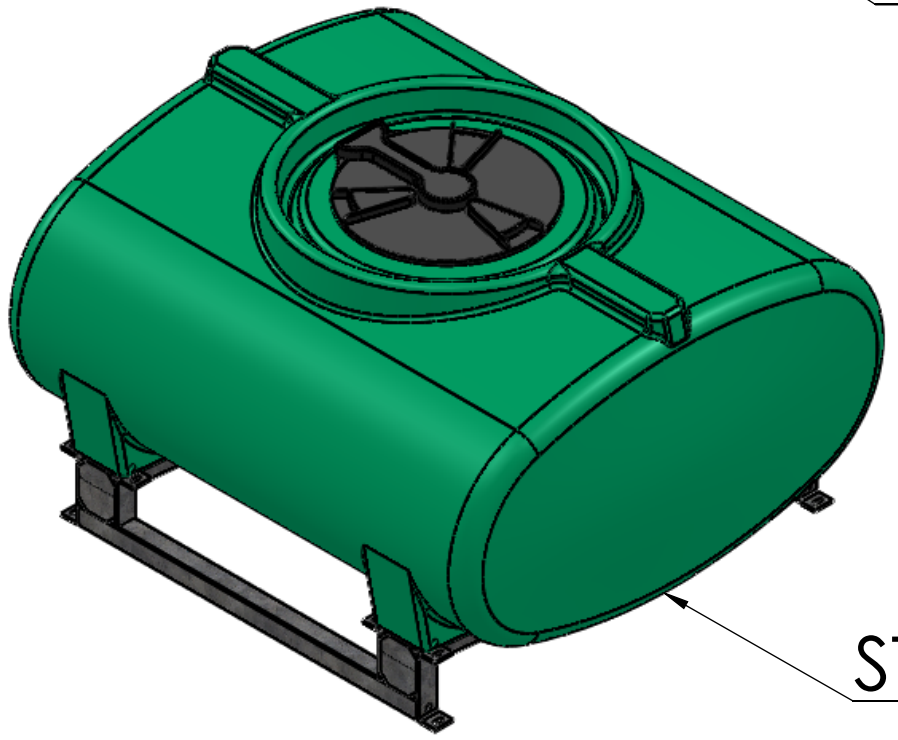
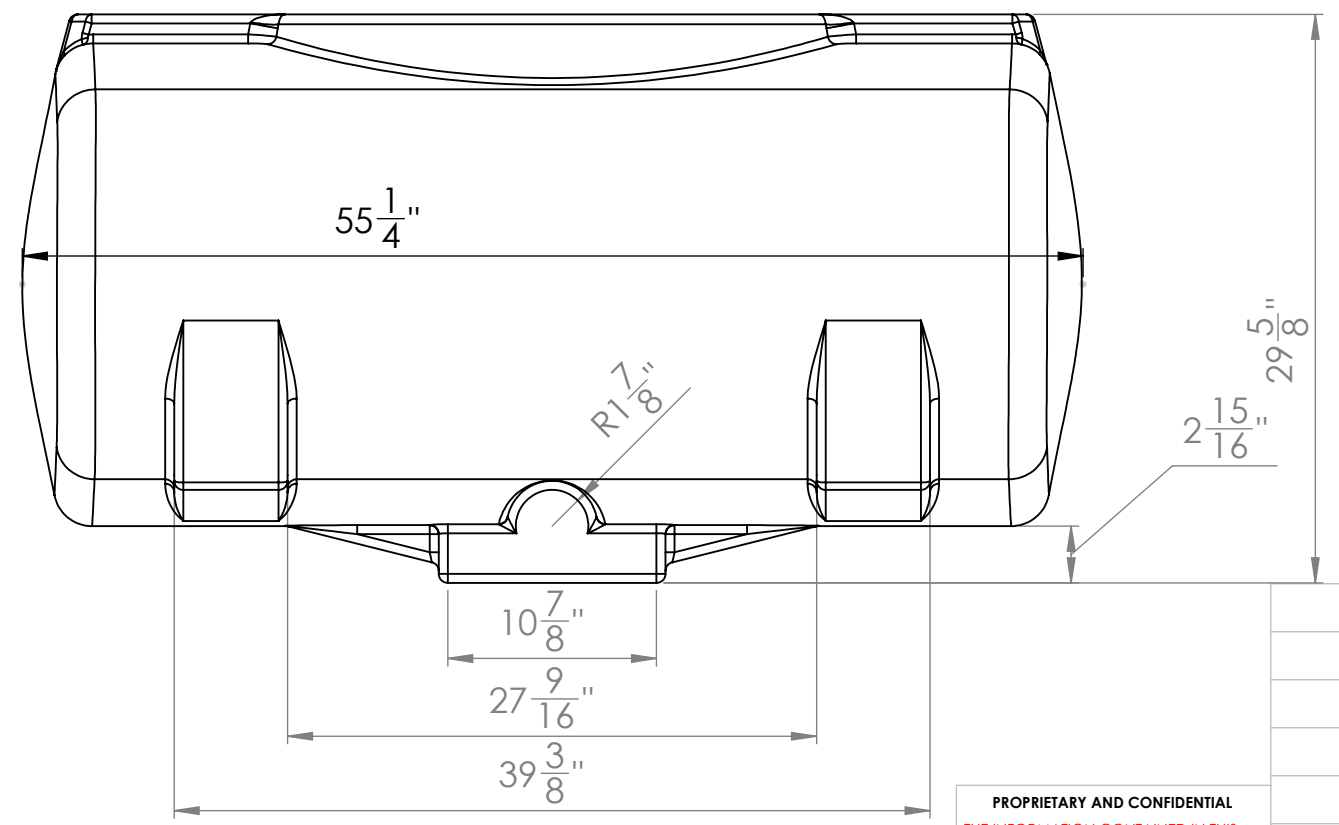
8 7 6 5 4 3 2 1

D
C
B
A

D
C
B
A



ST200LP



ST200LS

PROPRIETARY AND CONFIDENTIAL
 THE INFORMATION CONTAINED IN THIS DRAWING IS THE SOLE PROPERTY OF Agrimaxx, Enduraplas. ANY REPRODUCTION IN PART OR AS A WHOLE WITHOUT THE WRITTEN PERMISSION OF Agrimaxx, Enduraplas, IS PROHIBITED.

UNLESS OTHERWISE SPECIFIED:	
DIMENSIONS ARE IN INCHES	
TOLERANCES:	
FRACTIONAL ±	
ANGULAR: MACH ± BEND ±	
TWO PLACE DECIMAL ±	
THREE PLACE DECIMAL ±	
INTERPRET GEOMETRIC TOLERANCING PER:	
MATERIAL	
FINISH	
DO NOT SCALE DRAWING	

NAME	DATE
DNS	9/12/11
DRAWN	
CHECKED	
ENG APPR.	
MFG APPR.	
Q.A.	
COMMENTS:	

Enduraplas		
TITLE: ST200LP		
SIZE B	DWG. NO.	REV 1
SCALE: 1:20 WEIGHT:		SHEET 1 OF 1

8 7 6 5 4 3 2 1