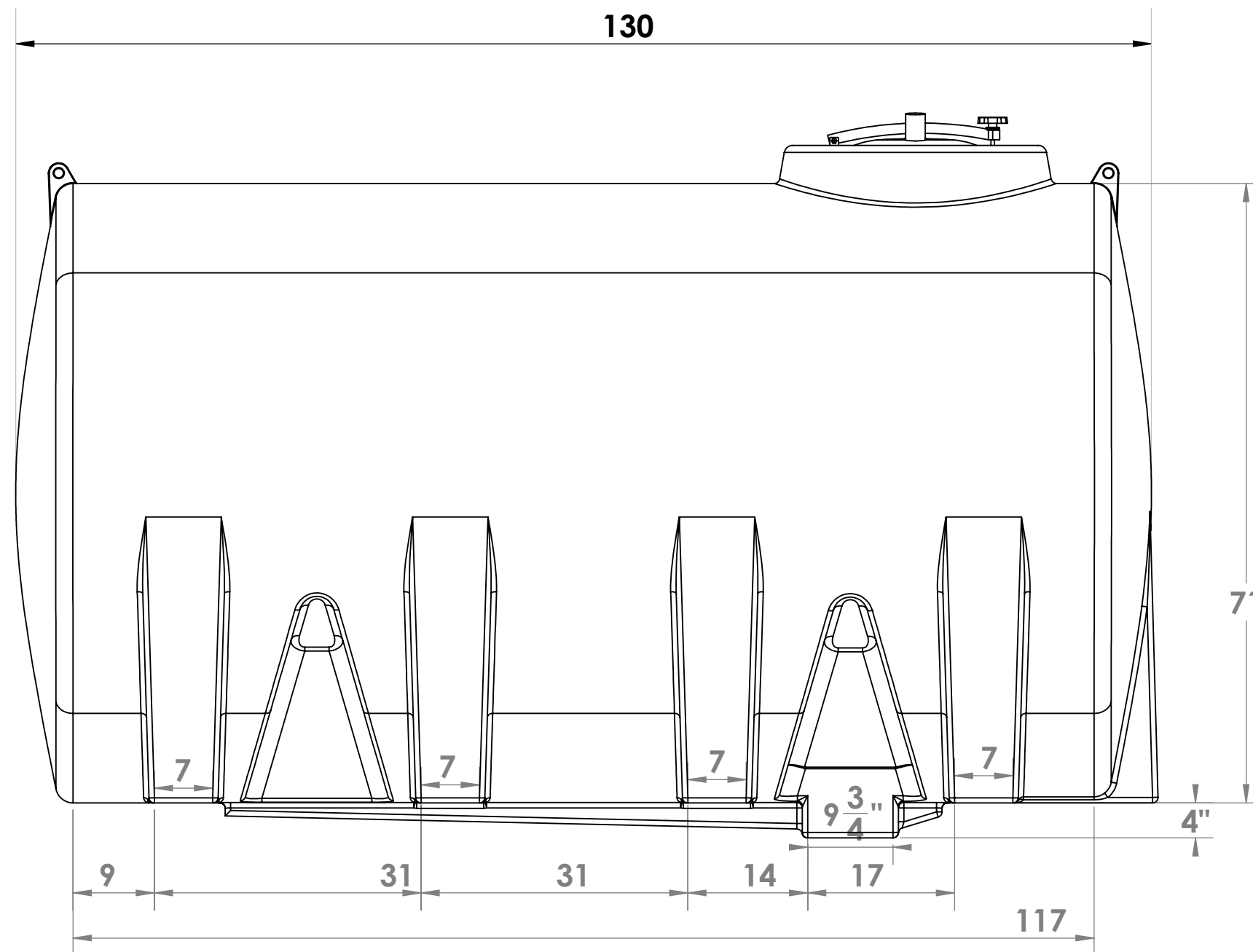
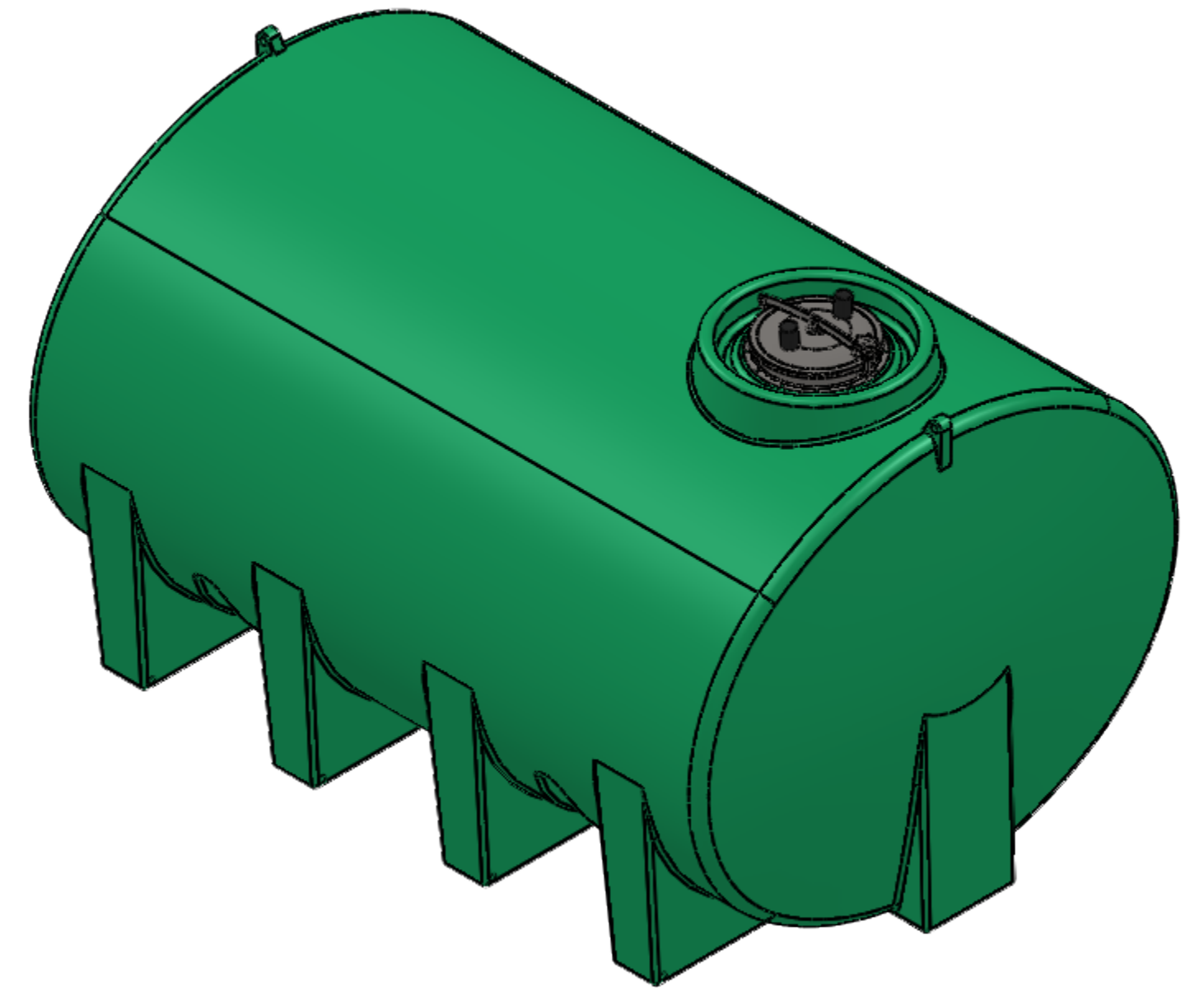
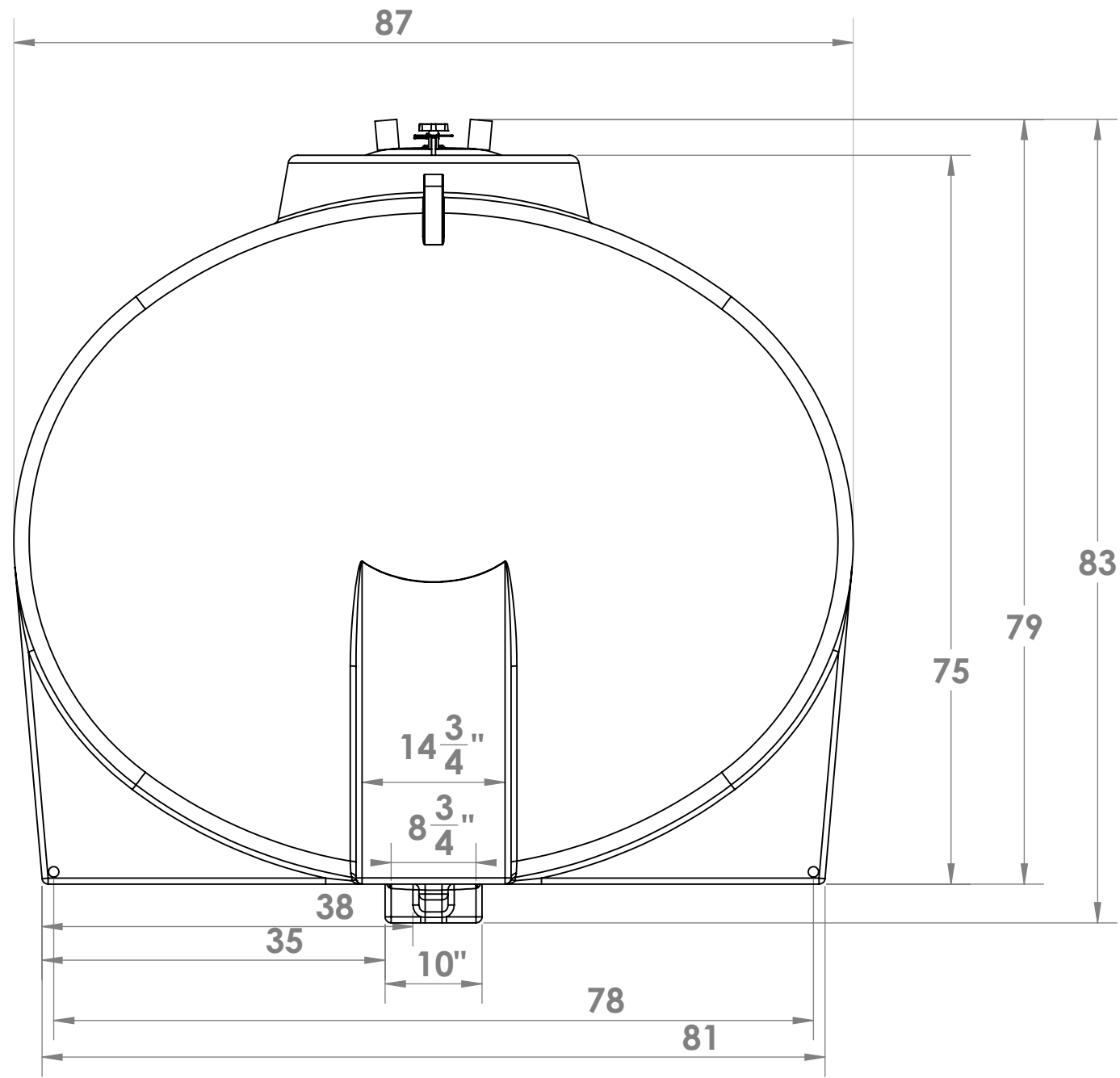


4

3

2

1



TITLE: **THD02500**

PROPRIETARY AND CONFIDENTIAL
 THE INFORMATION CONTAINED IN THIS DRAWING IS THE SOLE PROPERTY OF ENDURAPLAS LLC. ANY REPRODUCTION IN PART OR AS A WHOLE WITHOUT THE WRITTEN PERMISSION OF ENDURAPLAS LLC IS PROHIBITED.

DRAWN: 1/15/2019	REV 1
DO NOT SCALE DRAWING	SCALE: 1:24
SHEET 1 OF 1	

4

3

2

1

D

D

C

C

B

B

A

A