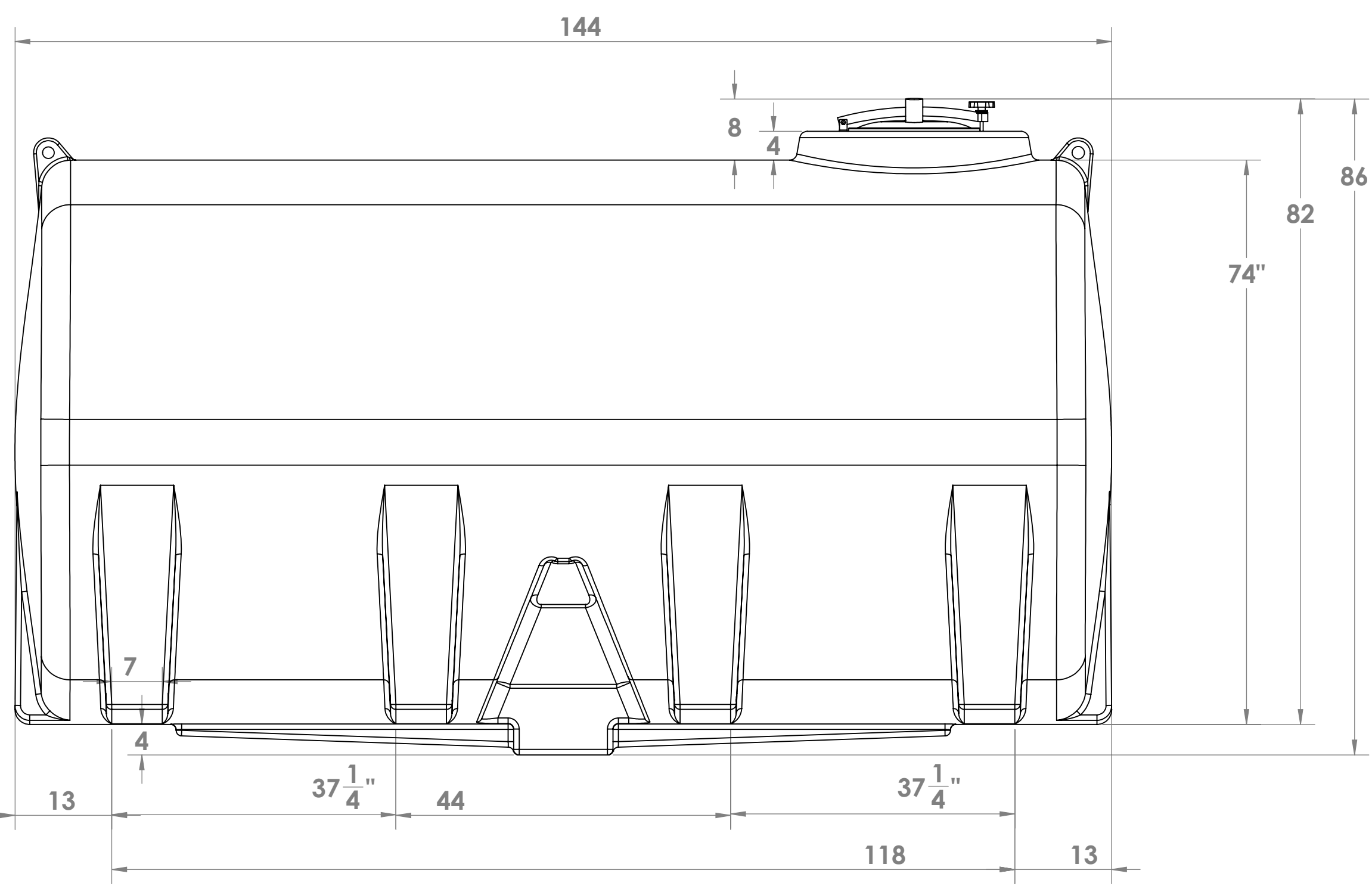
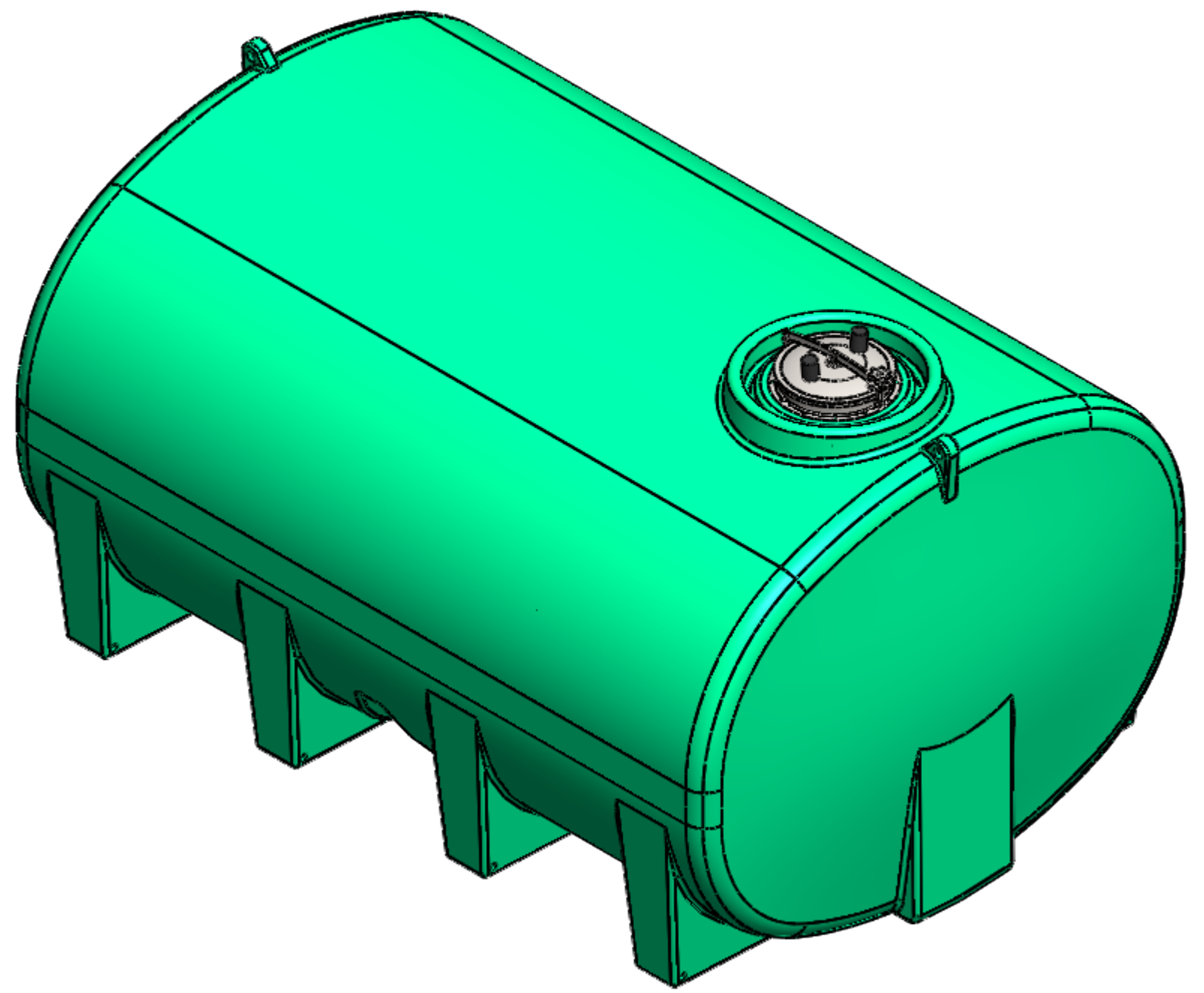
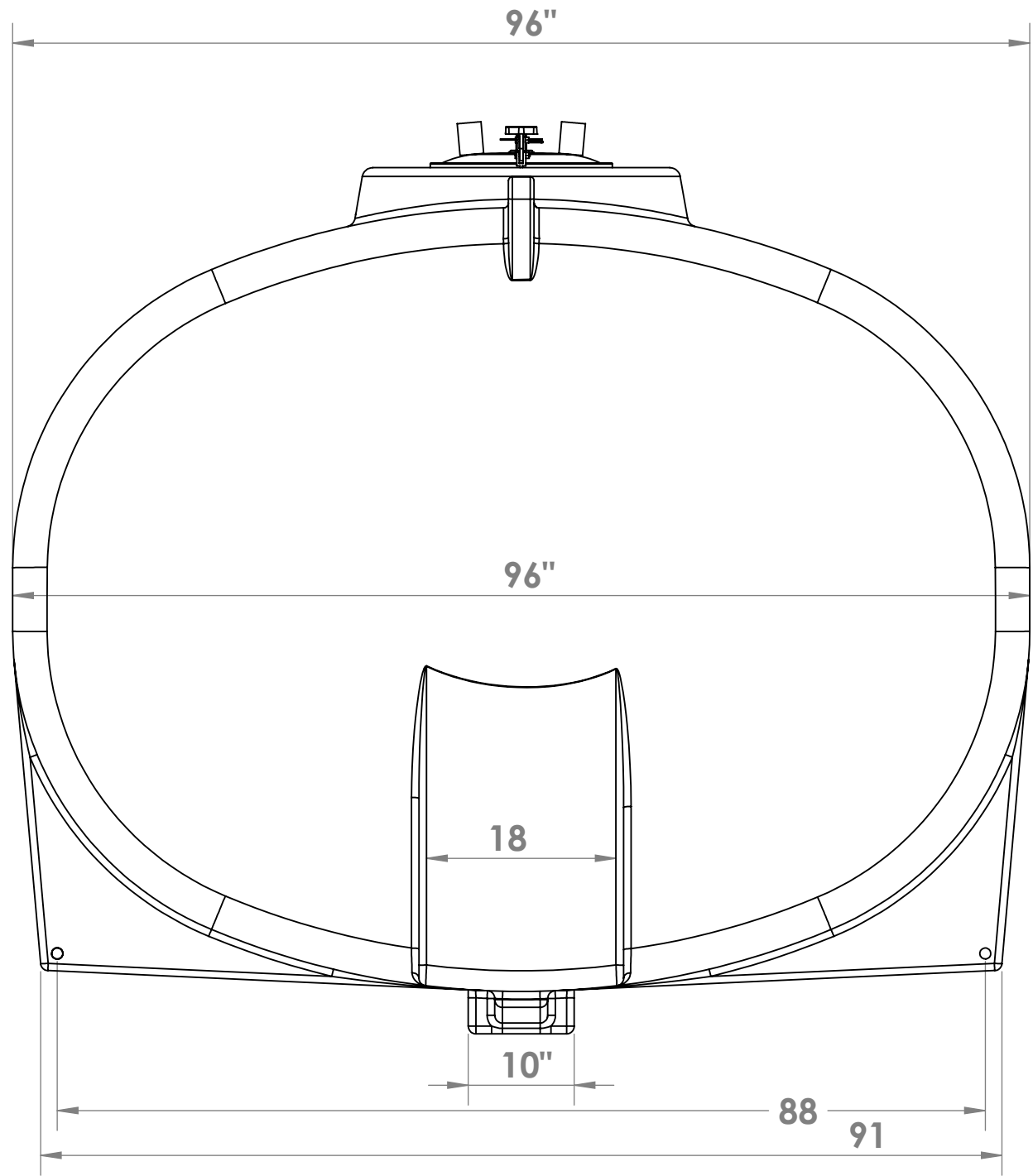


4

3

2

1



TITLE:		THD03200	
DRAWN:	1/14/2019	REV	1
DO NOT SCALE DRAWING	SCALE: 1:24	SHEET 1 OF 1	

PROPRIETARY AND CONFIDENTIAL
 THE INFORMATION CONTAINED IN THIS DRAWING IS THE SOLE PROPERTY OF ENDURAPLAS LLC. ANY REPRODUCTION IN PART OR AS A WHOLE WITHOUT THE WRITTEN PERMISSION OF ENDURAPLAS LLC IS PROHIBITED.

4

3

2

1

D

D

C

C

B

B

A

A