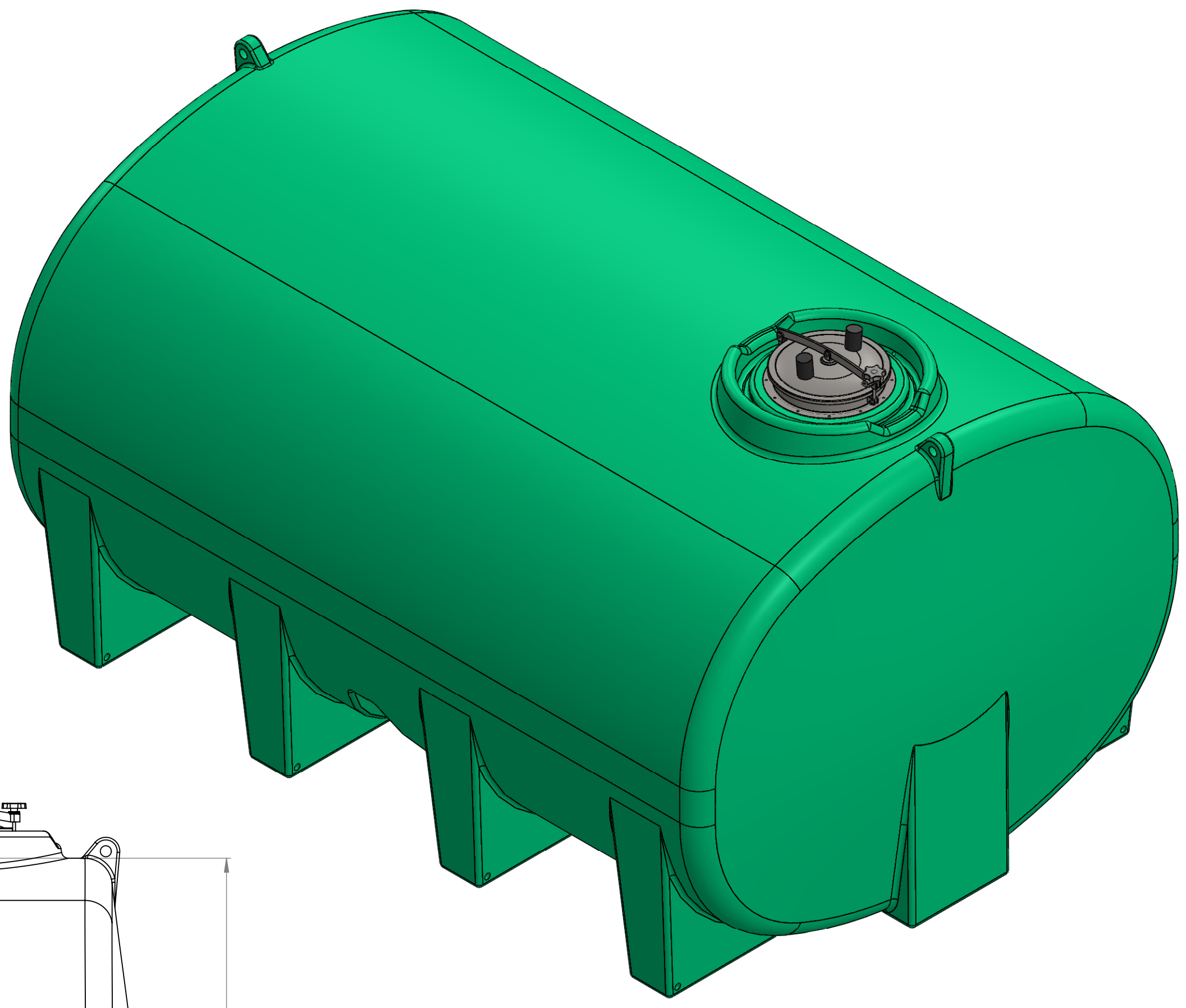
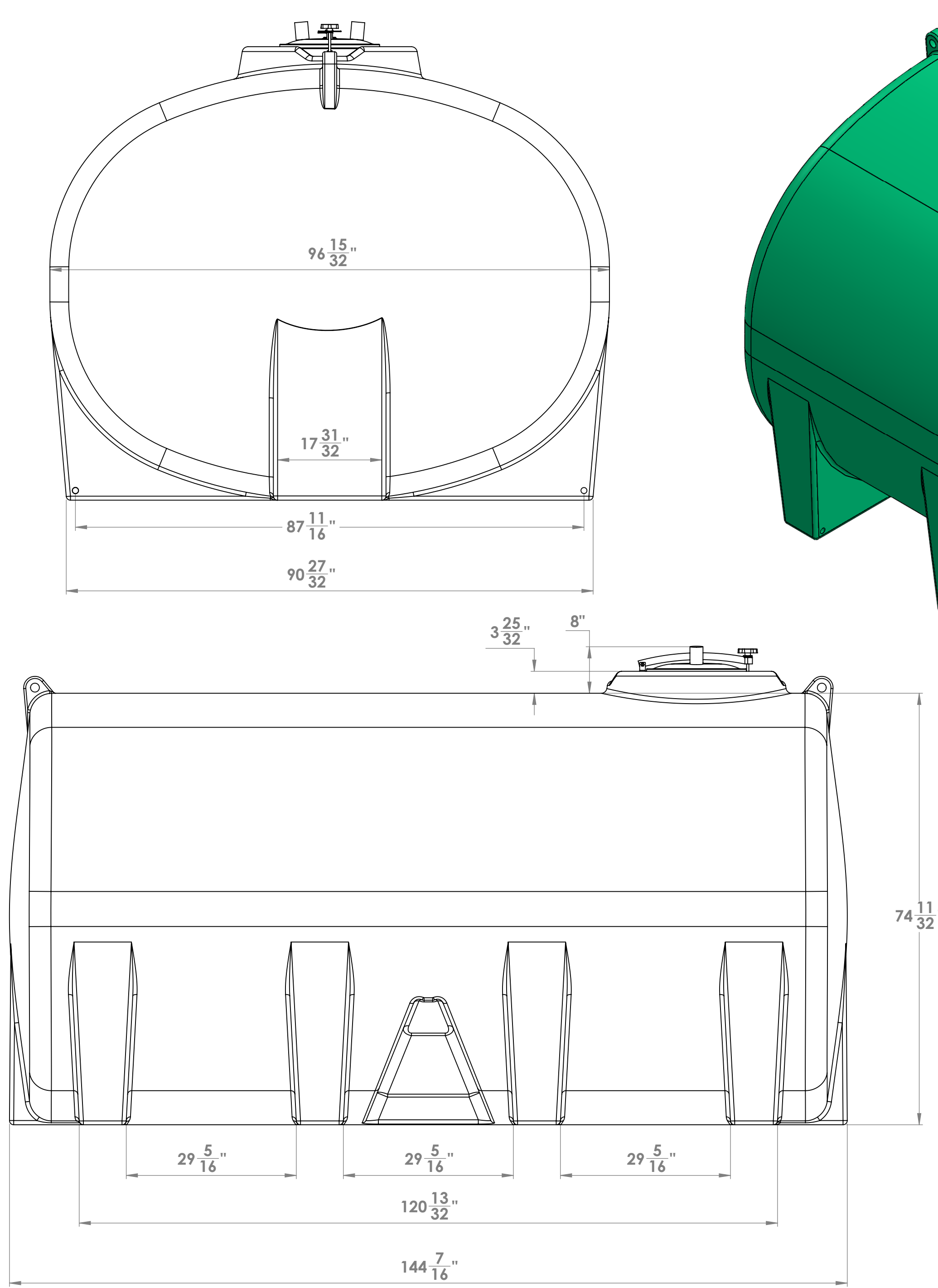


8 7 6 5 4 3 2 1

F
E
D
C
B
A

F
E
D
C
B
A



NOTE: ALLOW +/- 1.5% SHRINKAGE

PROPRIETARY AND CONFIDENTIAL
THE INFORMATION CONTAINED IN THIS
DRAWING IS THE SOLE PROPERTY OF
ENDURAPLAS LLC. ANY
REPRODUCTION IN PART OR AS A WHOLE
WITHOUT THE WRITTEN PERMISSION OF
ENDURAPLAS LLC IS PROHIBITED.

		UNLESS OTHERWISE SPECIFIED:		NAME	DATE	ENDURAPLAS LLC	
		DIMENSIONS ARE IN INCHES		DRAWN	DNS	5/14/13	TITLE:
		TOLERANCES:		CHECKED			ST3200FS
		FRACTIONAL ±		ENG APPR.			SIZE
		ANGULAR: MATCH ±		MFG APPR.			DWG. NO.
		TWO PLACE DECIMAL ±		Q.A.			REV
		THREE PLACE DECIMAL ±		COMMENTS:			1
		INTERPRET GEOMETRIC TOLERANCING PER:					SCALE: 1:50 WEIGHT:
		MATERIAL					SHEET 1 OF 1
		FINISH					
NEXT ASSY	USED ON	APPLICATION	DO NOT SCALE DRAWING				

8 7 6 5 4 3 2 1