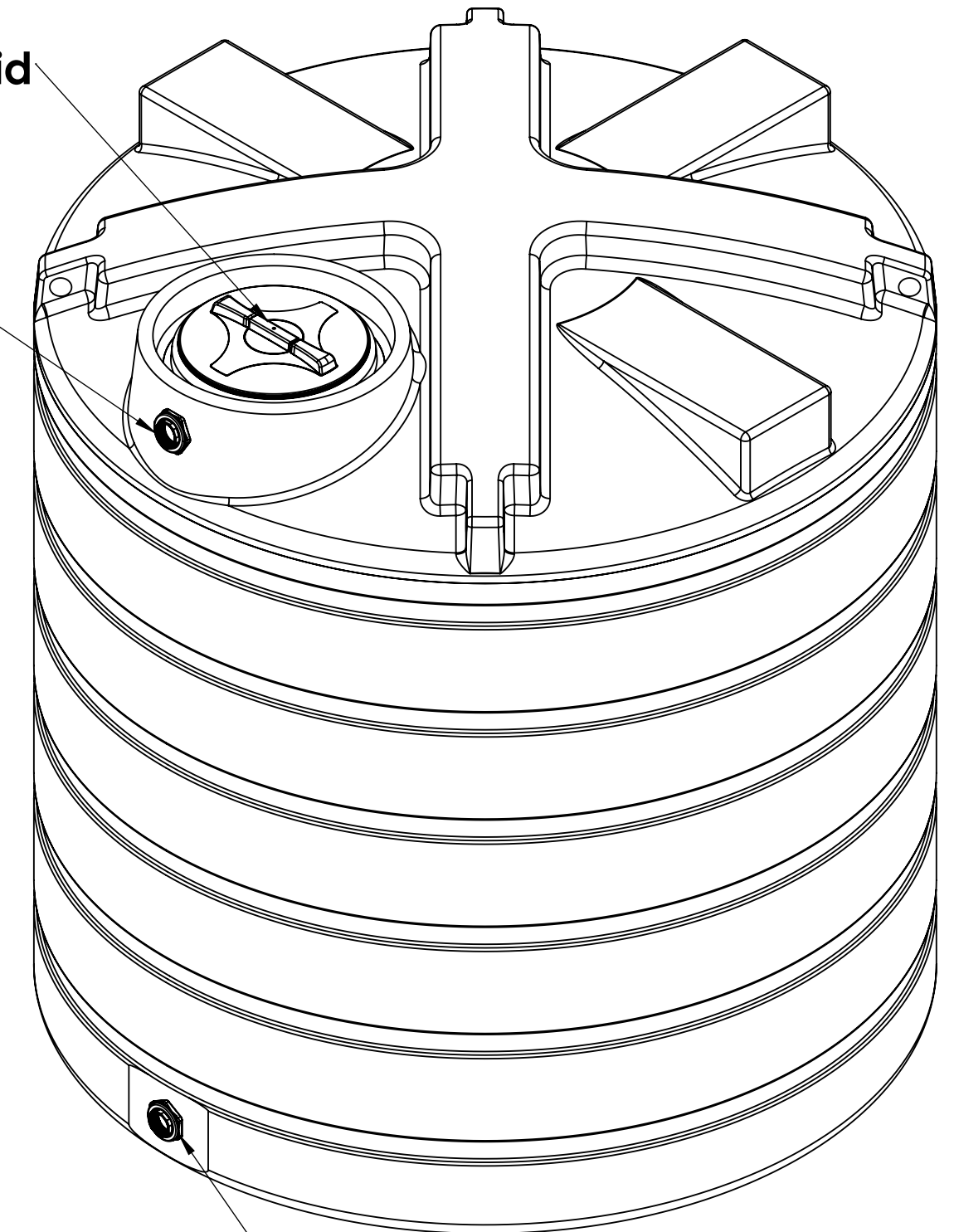


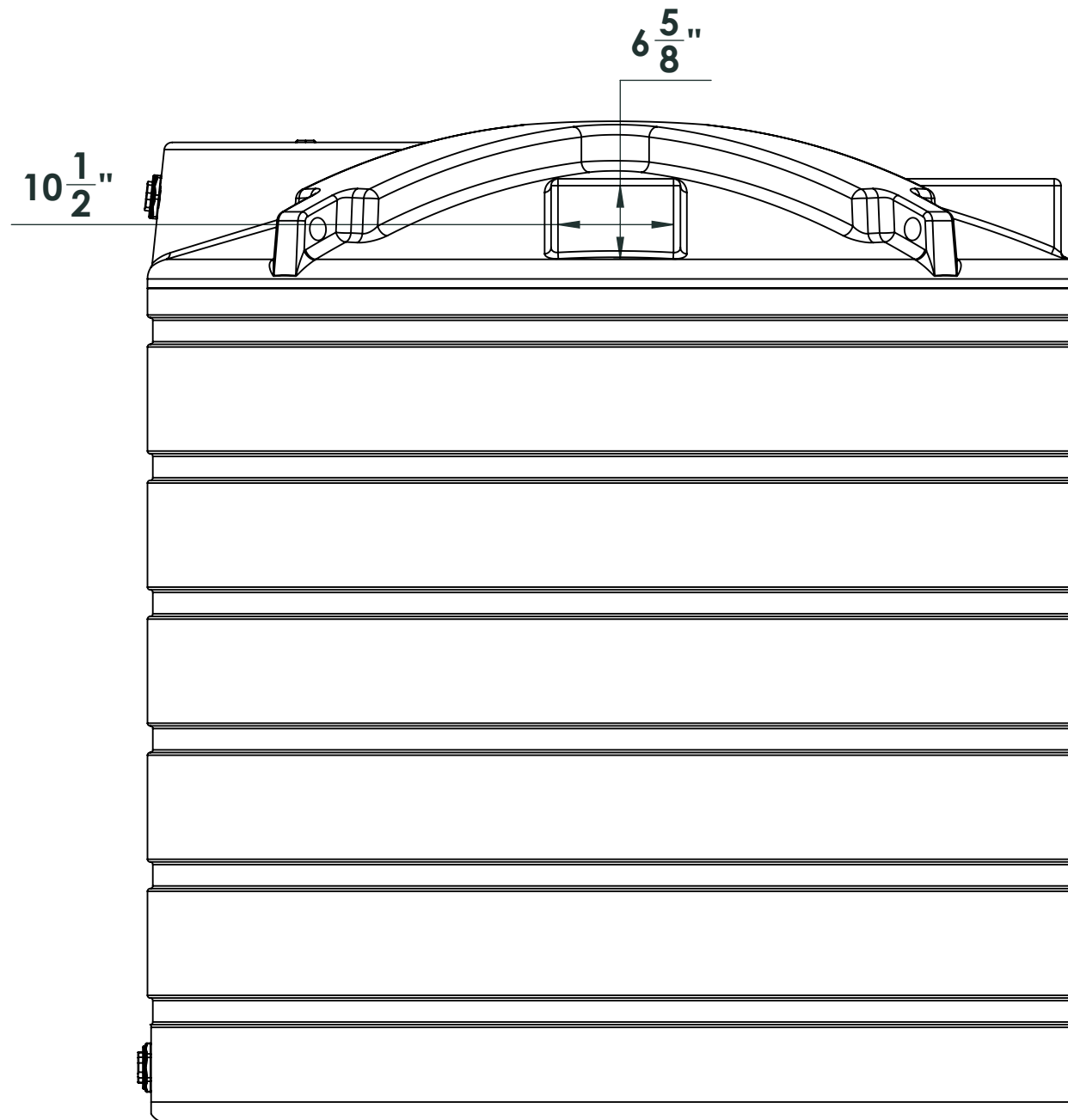
16 inch lid

2 inch threaded fitting

10 1/4"

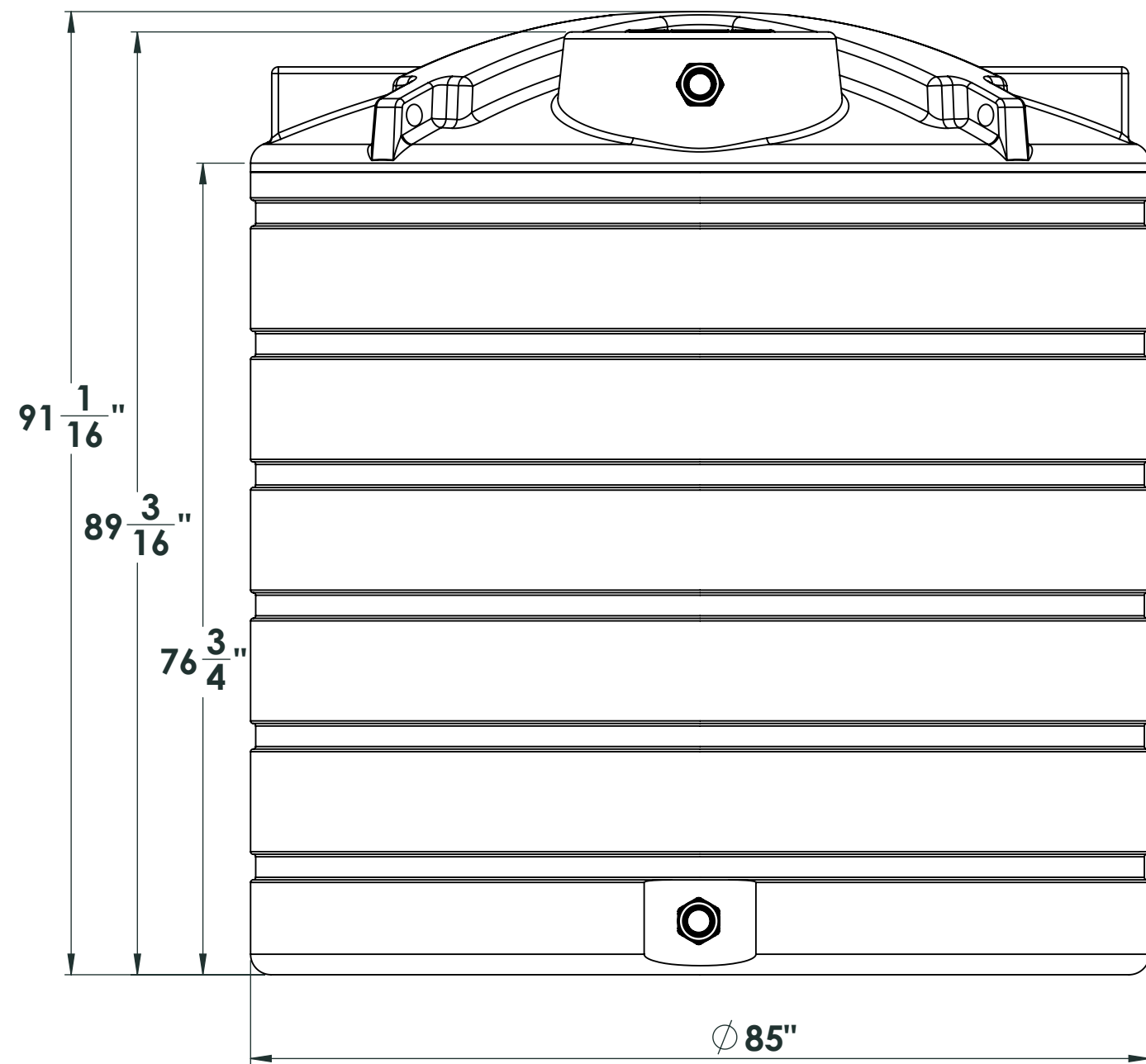


2 inch threaded fitting



10 1/2"

6 5/8"



91 1/16"

89 3/16"

76 3/4"

Ø 85"

NOTE: Allow +/- 1.5% Shrinkage

PROPRIETARY AND CONFIDENTIAL
 THE INFORMATION CONTAINED IN THIS DRAWING IS THE SOLE PROPERTY OF ENDURAPLAS LLC. ANY REPRODUCTION IN PART OR AS A WHOLE WITHOUT THE WRITTEN PERMISSION OF ENDURAPLAS LLC IS PROHIBITED.

UNLESS OTHERWISE SPECIFIED:		NAME	DATE	ENDURAPLAS LLC
DIMENSIONS ARE IN INCHES		DRAWN	DNS	
TOLERANCES:		CHECKED		TITLE:
FRACTIONAL ±		ENG APPR.		TLV01750
ANGULAR: MACH ±		MFG APPR.		SIZE DWG. NO.
BEND ±		Q.A.		REV
TWO PLACE DECIMAL ±		COMMENTS:		1
THREE PLACE DECIMAL ±				SCALE: 1:50 WEIGHT:
INTERPRET GEOMETRIC TOLERANCING PER:	MATERIAL			SHEET 1 OF 1
FINISH				
APPLICATION	DO NOT SCALE DRAWING			