

4

3

2

1

D

D

C

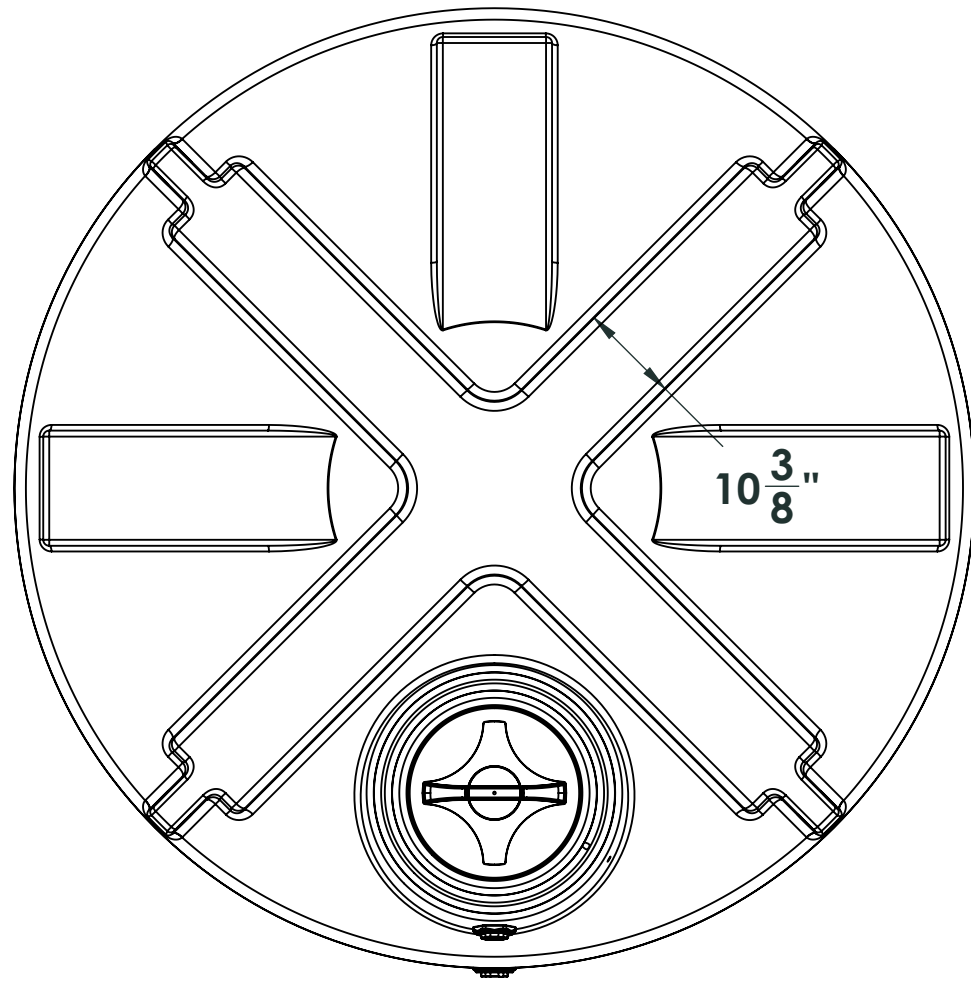
C

B

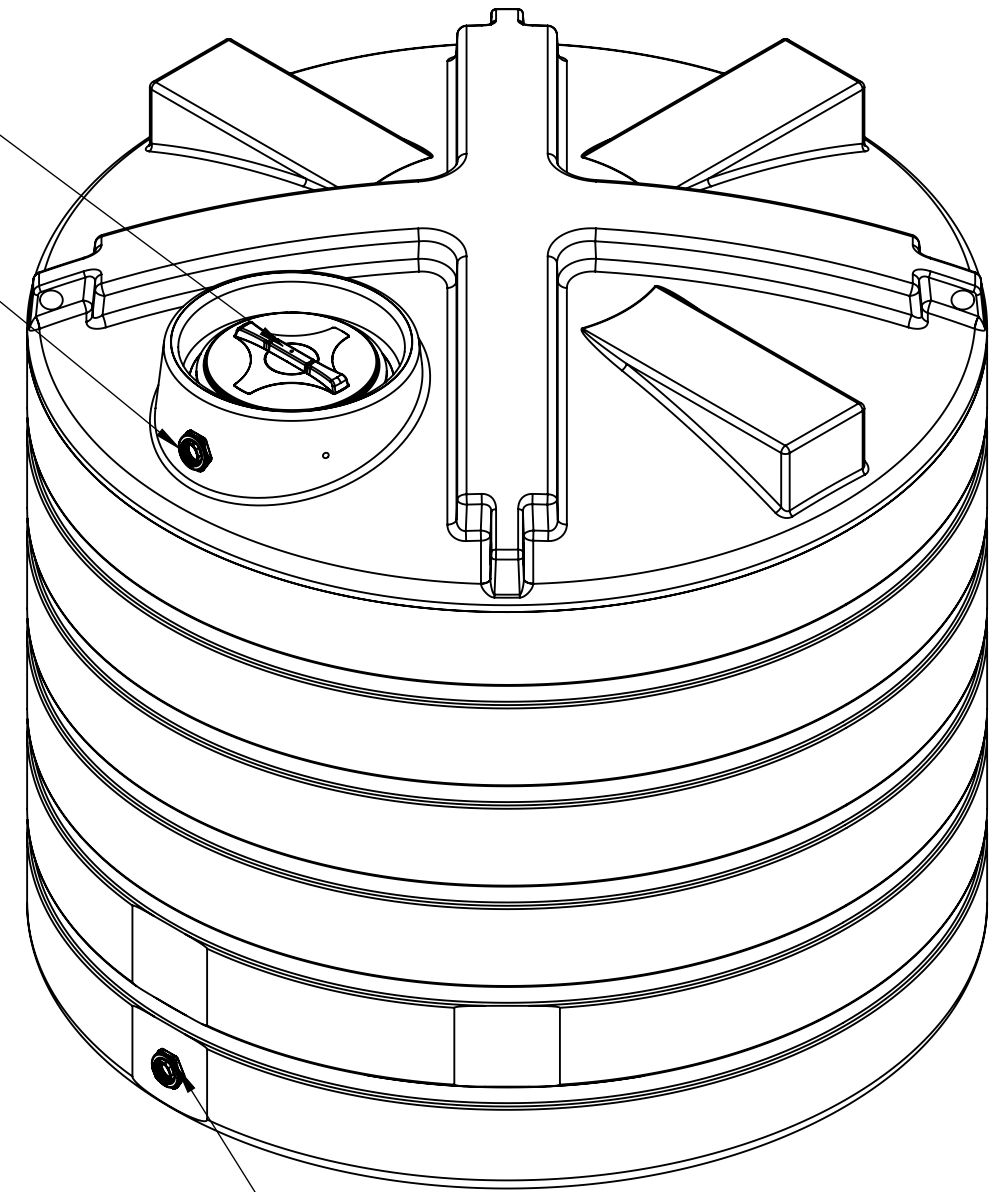
B

A

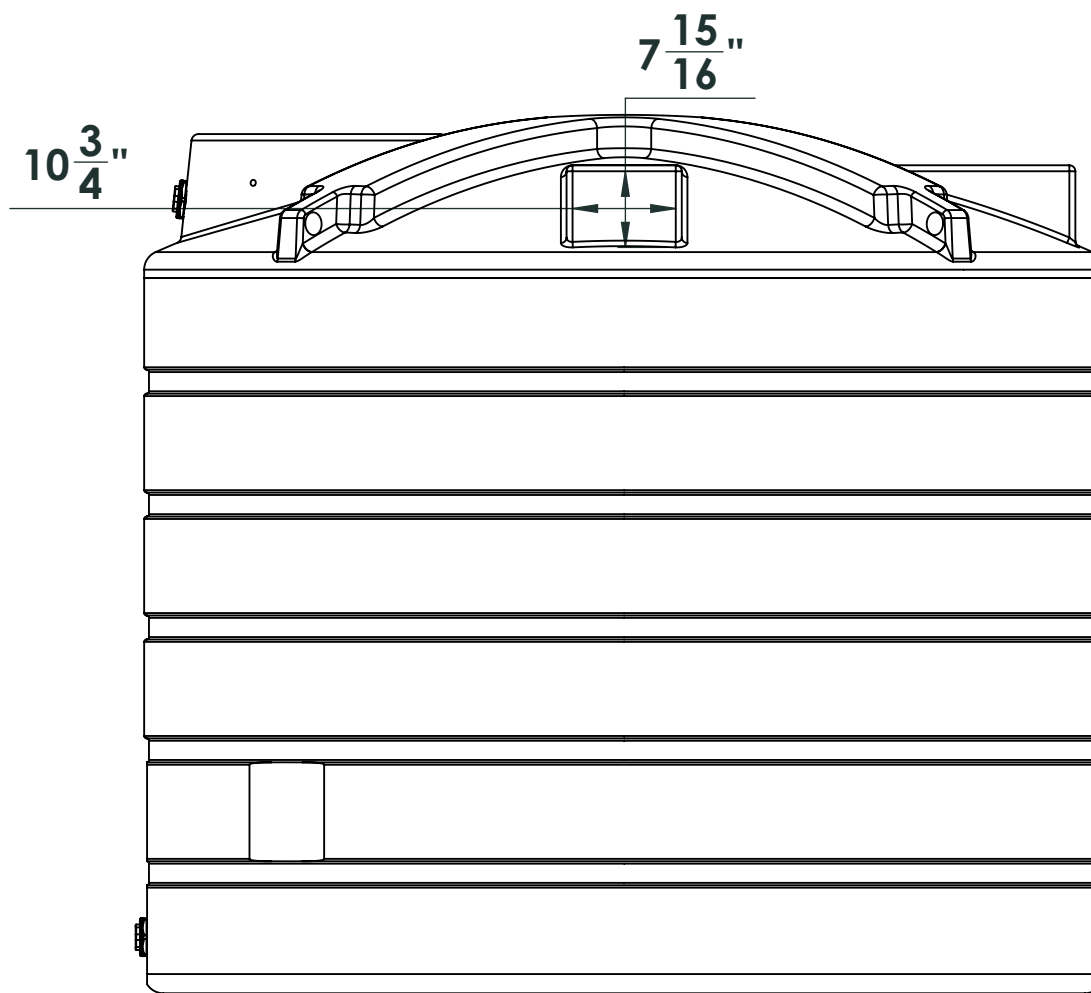
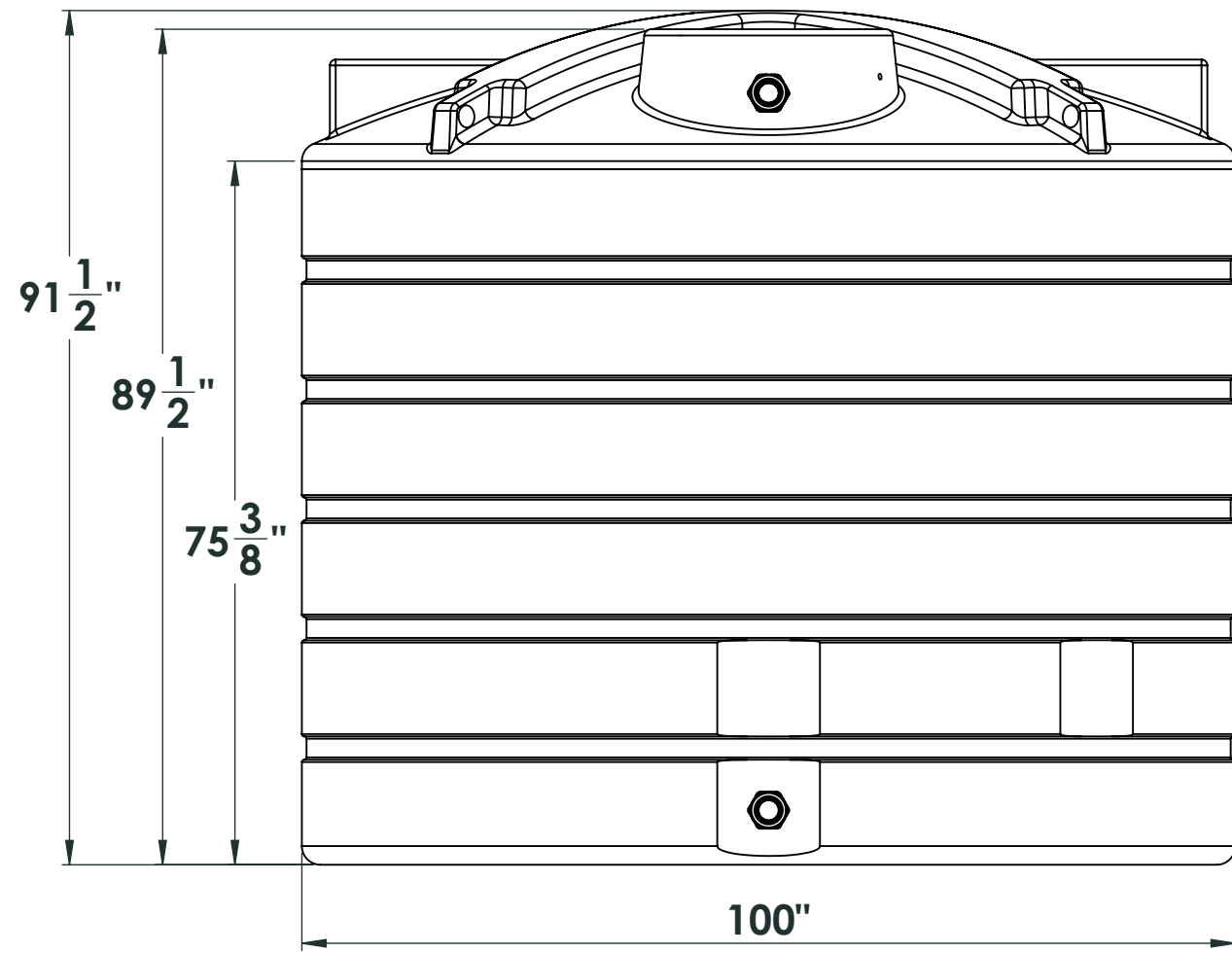
A



16 inch lid  
2 inch threaded fitting



2 inch threaded fitting



**NOTE: Allow +/- 1.5% Shrinkage**

**PROPRIETARY AND CONFIDENTIAL**  
THE INFORMATION CONTAINED IN THIS DRAWING IS THE SOLE PROPERTY OF ENDURAPLAS LLC. ANY REPRODUCTION IN PART OR AS A WHOLE WITHOUT THE WRITTEN PERMISSION OF ENDURAPLAS LLC IS PROHIBITED.

UNLESS OTHERWISE SPECIFIED:		DRAWN	NAME	DATE	ENDURAPLAS LLC
DIMENSIONS ARE IN INCHES		CHECKED	DNS	11/3/16	
TOLERANCES:		ENG APPR.			
FRACTIONAL ±		MFG APPR.			
ANGULAR: MACH ±		Q.A.			TITLE:
BEND ±		COMMENTS:			TLV02600
TWO PLACE DECIMAL ±					SIZE DWG. NO.
THREE PLACE DECIMAL ±					C
INTERPRET GEOMETRIC TOLERANCING PER:					REV
MATERIAL					1
FINISH					SCALE: 1:50 WEIGHT:
NEXT ASSY	USED ON				SHEET 1 OF 1
APPLICATION					
DO NOT SCALE DRAWING					

4

3

2

1