



KR SERIES UP TO 4 ACRES

The Keeton Industries KR series of lake bed aeration systems are the ideal choice for ponds and lakes up to 5 surface acres in size. The KR series superior design is unmatched in energy efficiency, effectiveness and sound reduction. These systems feature 1/2HP Gast Rocking Piston compressors, high volume cooling blowers, programmable digital timers and fully adjustable aluminum manifolds housed in attractive, 100% recycled plastic cabinets. The KR series can operate up to 4 selfcleaning, non-clogging Duraplate™ membrane diffusers. Duraplate diffusers emit millions of tiny bubbles that increase dissolved oxygen levels while eliminating stratification, improving water quality and clarity. Like all of our aeration systems, the KR series are backed by a full 2 year warranty.



Shown with Level-aer Equipment Pad
– additional upgrade.



- The Compressor**
- 1/2 HP Rocking Piston
 - 5.3 cfm air flow
 - 40psi max pressure
 - 115V – 5.3A max, 2.6A average
 - Thermal overload protection
 - Pressure relief valve
 - Intake filter
 - Pressure Gauge



- The Tubing**
- Self-weighted
 - 1/2" I.D. with 1/4" sidewalls
 - Fishhook resistant
 - Will not kink or break
 - Available in 100' and 500' lengths
 - 15 year warranty



- The Diffuser**
- Self-cleaning
 - Non-clogging
 - Self-weighted
 - Fishhook resistant
 - High Oxygen transfer
 - Lifetime warranty

Model	Features	Acres
KR-1DP	1 Diffuser	Up to 1 Acres
KR-1DP-B	1 Diffuser & 100' of Tubing	
KR-2DP	2 Diffusers	Up to 2 Acres
KR-2DP-B	2 Diffusers & 200' of Tubing	
KR-3DP	3 Diffusers	Up to 3 Acres
KR-3DP-B	3 Diffusers & 300' of Tubing	
KR-4DP	4 Diffusers	Up to 4 Acres
KR-4DP-B	4 Diffusers & 400' of Tubing	

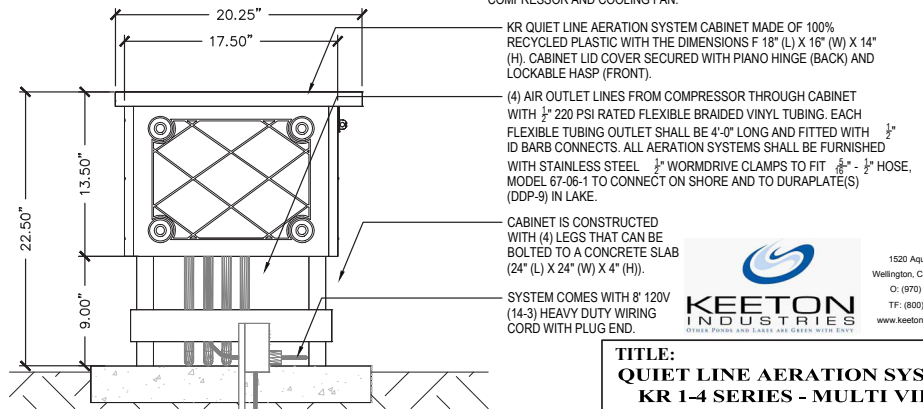
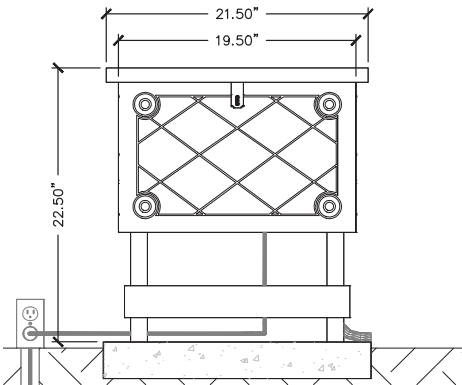
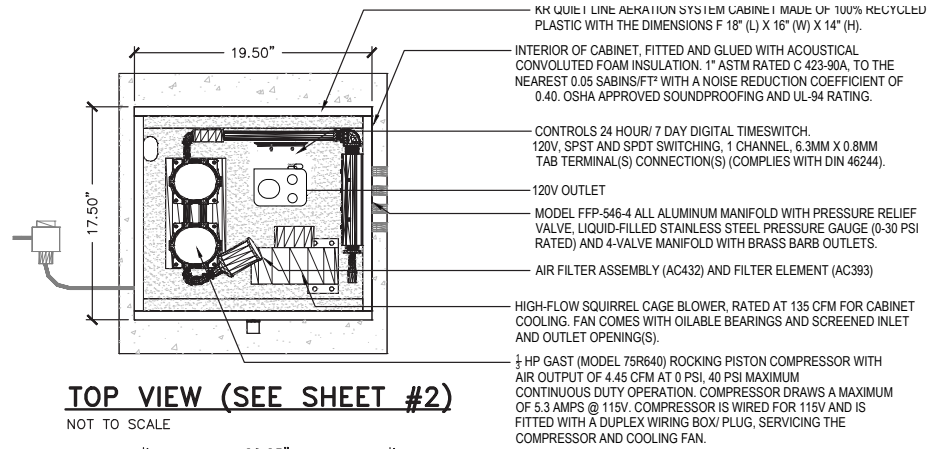
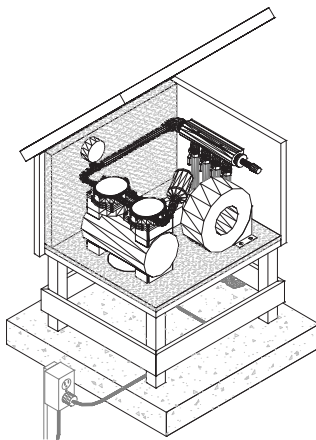


OTHER PONDS AND LAKES ARE GREEN WITH ENVY®

keetonaquatics.com | 800.493.4831 | 970.568.7754



KR SERIES
UP TO 4 ACRES



1520 Aquatic Drive
Wellington, Colorado 80541
O: (970) 568-7754
TF: (800) 493-4831
www.keetonaquatics.com

OTHER PONDS AND LAKES ARE GREEN WITH ENVY

TITLE: QUIET LINE AERATION SYSTEM KR 1-4 SERIES - MULTI VIEW	
DATE: 1/17/2012	SHEET: 1



OTHER PONDS AND LAKES ARE GREEN WITH ENVY®

keetonaquatics.com | 800.493.4831 | 970.568.7754