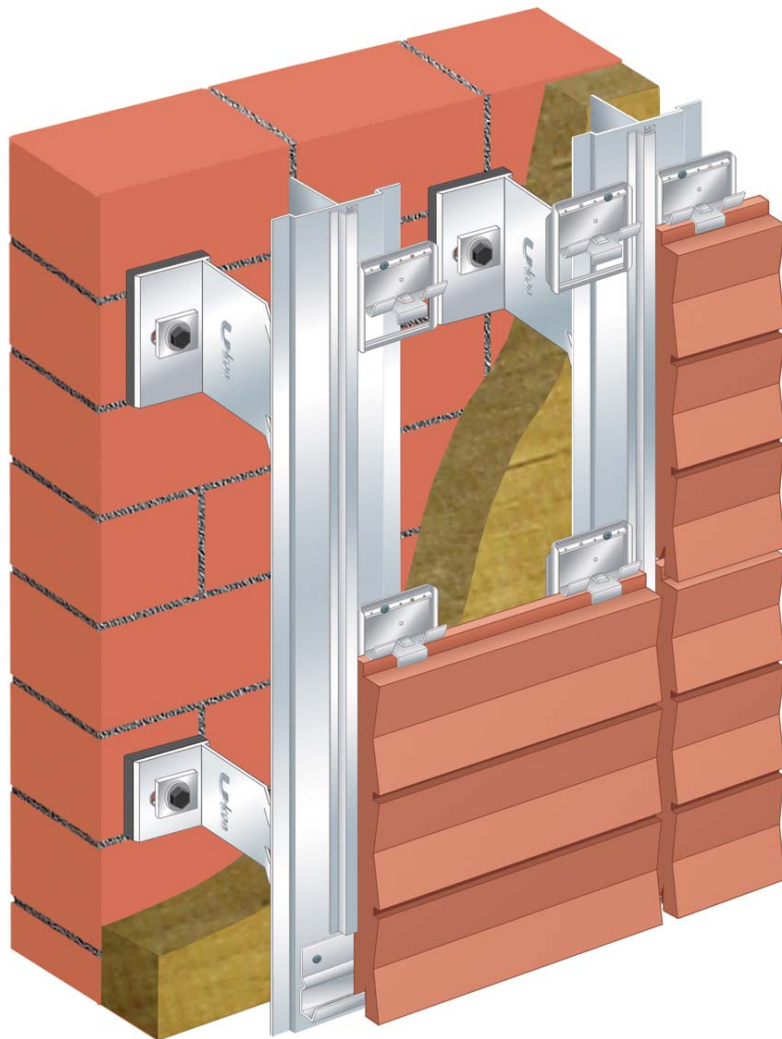


THERMALLY BROKEN SYSTEM U-KON  
CERACLAD ASSEMBLY  
U-VALUE MINIMUM R20



### 3.1 Exterior Insulated Steel-Frame Wall Assembly

Table 3.1.1: U-Values and Effective R-Values of Exterior Insulated Steel Stud Assembly with U-Kon Bracket System at 16 inch (406 mm) Horizontal and 24 inch (610 mm) Vertical Spacing

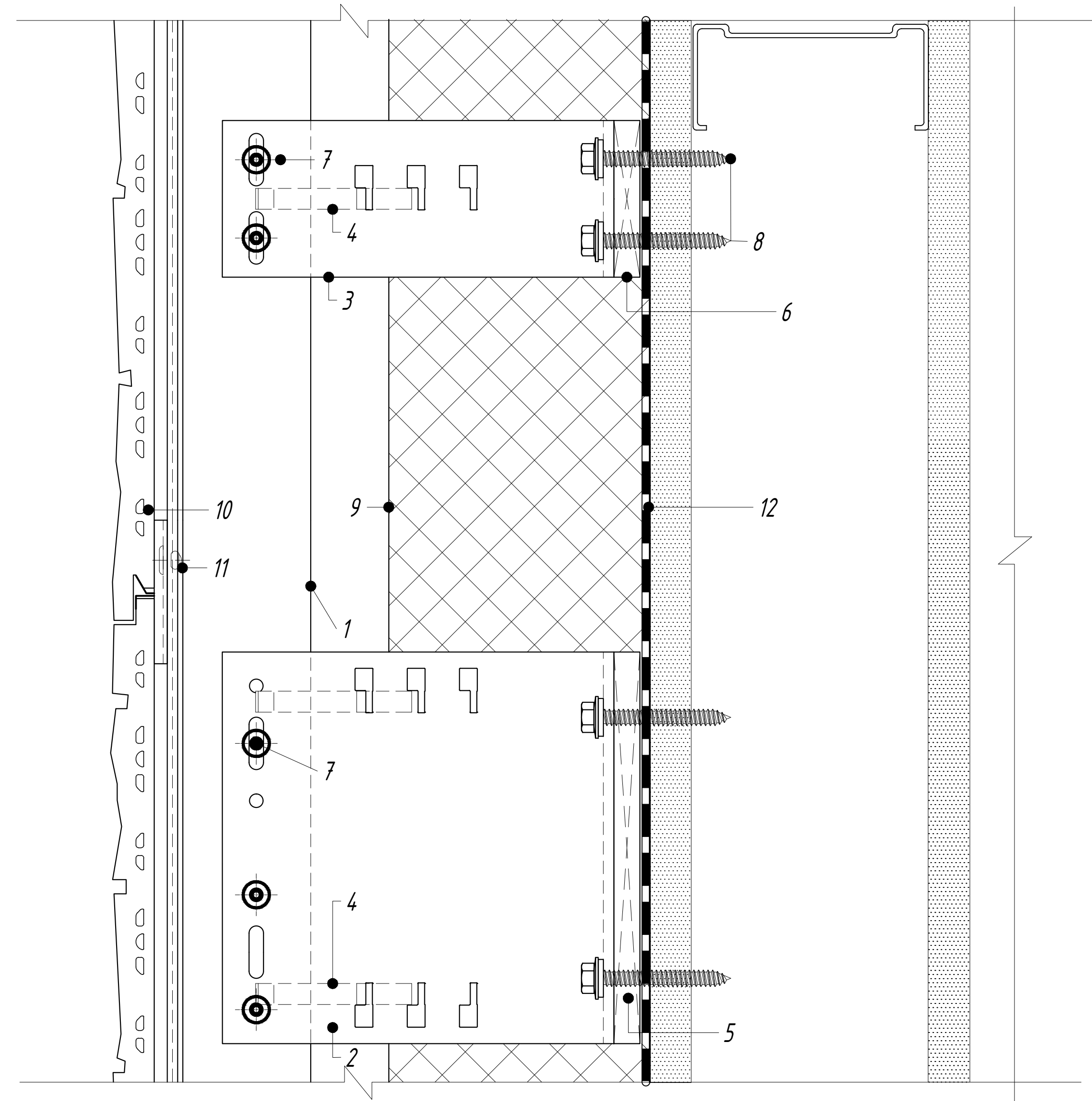
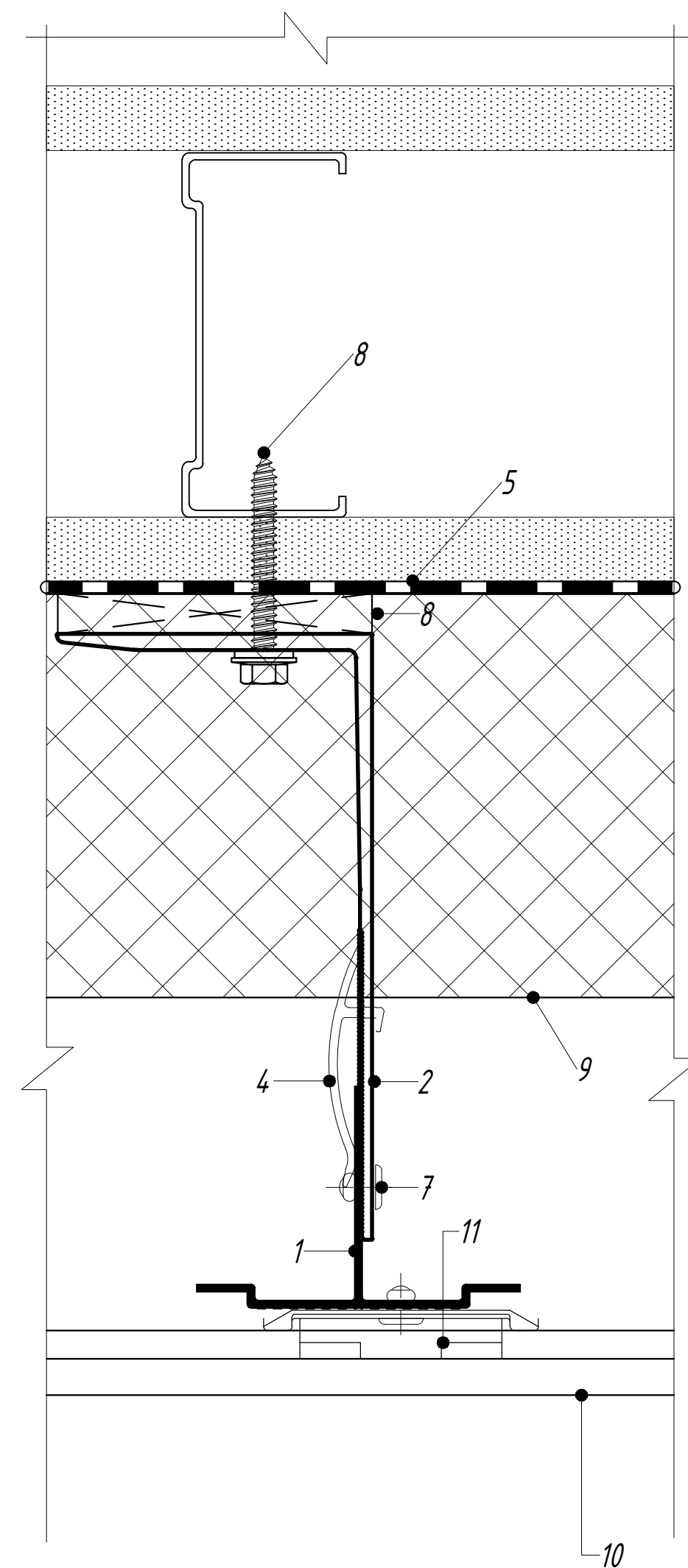
Bracket Size mm	Exterior Insulation Thickness inch (mm)	Exterior Insulation Nominal R-value <sup>2</sup> ft <sup>2</sup> h °F/Btu (m <sup>2</sup> KW)	U-value Btu/h ft <sup>2</sup> °F (W/m <sup>2</sup> K)	Effective R-value h ft <sup>2</sup> °F/Btu (m <sup>2</sup> K/W)
80	3 (76)	R-12.6 (RSI-2.22)	0.070 (0.399)	R-14.2 (RSI-2.50)
100	4 (102)	R-16.8 (RSI-2.96)	0.057 (0.321)	R-17.7 (RSI-3.11)
120	5 (127)	R-21.0 (RSI-3.70)	0.047 (0.269)	R-21.1 (RSI-3.71)
150	6 (152)	R-25.2 (RSI-4.44)	0.040 (0.229)	R-24.8 (RSI-4.37)
250	10 (254)	R-42.0 (RSI-7.40)	0.026 (0.146)	R-38.9 (RSI-6.86)

Table 3.1.2: U-Values and Effective R-Values of Exterior Insulated Steel Stud Assembly with U-Kon Bracket System at 16 inch (406 mm) Horizontal and 36 inch (914 mm) Vertical Spacing

Bracket Size mm	Exterior Insulation Thickness inch (mm)	Exterior Insulation Nominal R-value <sup>2</sup> ft <sup>2</sup> h °F/Btu (m <sup>2</sup> KW)	U-value Btu/h ft <sup>2</sup> °F (W/m <sup>2</sup> K)	Effective R-value h ft <sup>2</sup> °F/Btu (m <sup>2</sup> K/W)
80	3 (76)	R-12.6 (RSI-2.22)	0.068 (0.387)	R-14.7 (RSI-2.58)
100	4 (102)	R-16.8 (RSI-2.96)	0.055 (0.310)	R-18.3 (RSI-3.23)
120	5 (127)	R-21.0 (RSI-3.70)	0.046 (0.259)	R-21.9 (RSI-3.86)
150	6 (152)	R-25.2 (RSI-4.44)	0.039 (0.220)	R-25.8 (RSI-4.54)
250	10 (254)	R-42.0 (RSI-7.40)	0.025 (0.139)	R-40.7 (RSI-7.17)

Table 3.1.3: U-Values and Effective R-Values of Exterior Insulated Steel Stud Assembly with U-Kon Bracket System at 16 inch (406 mm) Horizontal and 48 inch (1219 mm) Vertical Spacing

Bracket Size mm	Exterior Insulation Thickness inch (mm)	Exterior Insulation Nominal R-value <sup>3</sup> ft <sup>2</sup> h °F/Btu (m <sup>2</sup> KW)	U-value Btu/h ft <sup>2</sup> °F (W/m <sup>2</sup> K)	Effective R-value h ft <sup>2</sup> °F/Btu (m <sup>2</sup> K/W)
80	3 (76)	R-12.6 (RSI-2.22)	0.067 (0.381)	R-14.9 (RSI-2.62)
100	4 (102)	R-16.8 (RSI-2.96)	0.054 (0.304)	R-18.7 (RSI-3.29)
120	5 (127)	R-21.0 (RSI-3.70)	0.045 (0.254)	R-22.4 (RSI-3.94)
150	6 (152)	R-25.2 (RSI-4.44)	0.038 (0.215)	R-26.3 (RSI-4.64)
250	10 (254)	R-42.0 (RSI-7.40)	0.024 (0.136)	R-41.7 (RSI-7.34)



1. Vertical support profile A-54
2. Wall bracket AD-063/150
3. Wall bracket AD-062/150
4. Thumb clamp AD-6901
5. Thermal isolator PD-063
6. Thermal isolator PD-062
7. Rivets A / A 2 Ø5 or Screws A2
8. HWH Self drilling screw #14
9. Thermal insulation layer
10. Ceraclad Panel
11. Clip supplied by Ceraclad
12. Air and weather barrier per arch.

**Note:**

\* The rivet is installed by a riveter with a nozzle, which provides a movable connection of the elements to prevent rigid fixation of the guide profile.

TYPICAL DETAILS CLADDING ATTACHMENT SYSTEMS ARE PROVIDED FOR GENERAL REFERENCE DESIGNED BY U-KON ENGINEERING DEPARTMENT. EACH PROJECT IS REQUIRED SPECIFIC ENGINEERING CALCULATION. CONTACT U-KON SYSTEM FOR ADDITIONAL INFORMATION. THE EXTRUSION PROFILES SHOWN IN THESE DRAWINGS ARE REPRESENTATIONS OF U-KON PROPRIETARY SYSTEMS

U-KON FACADE SYSTEMS LTD.  
501-1155 ROBSON STREET  
VANCOUVER, BC, V6E 1B5  
250 419 2417

www.u-kon.com  
info@u-kon.com



SYSTEM: LT-147

CLADDING: CERACLAD PANEL