

# 35 mW 632.8nm (RED) HELIUM NEON LASER

## MODEL: 05-LHP-928

### OUTPUT SPECIFICATIONS

Minimum CW Power Output (mW)	35.0
Wavelength (nm)	632.8
Transverse Mode	> 90% TEM <sub>00</sub>
Polarization	Linear >500:1
Beam Diameter at 1/e <sup>2</sup> Points	1.23 ± 5%
Beam Divergence (mrad)	0.66 ± 5%
Longitudinal Mode Spacing (MHz)	165
Mode Sweeping	< 5%
Long Term Power Drift (8 hrs)	< 5%
Amplitude Noise, 30 Hz to 30 MHz (RMS)	< 2%
Warmup to > 95% of Maximum Power (minutes)	< 60
Beam Concentricity with Respect to Housing (mm)	± 0.25
Beam Parallelism with Respect to Housing (mrad)	< 1

### ELECTRICAL SPECIFICATIONS

Start Voltage (kVdc)	< 15
Recommended Operating Current (mA)	8.0 ± 0.2
Operating Voltage (VDC)	5100 ± 100
Recommended Power Supply	06-LPL-944-080

### ENVIRONMENTAL SPECIFICATIONS

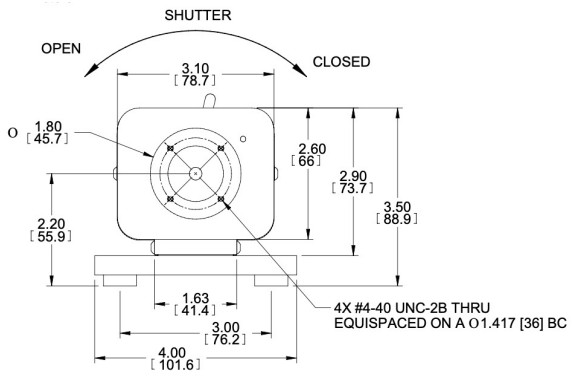
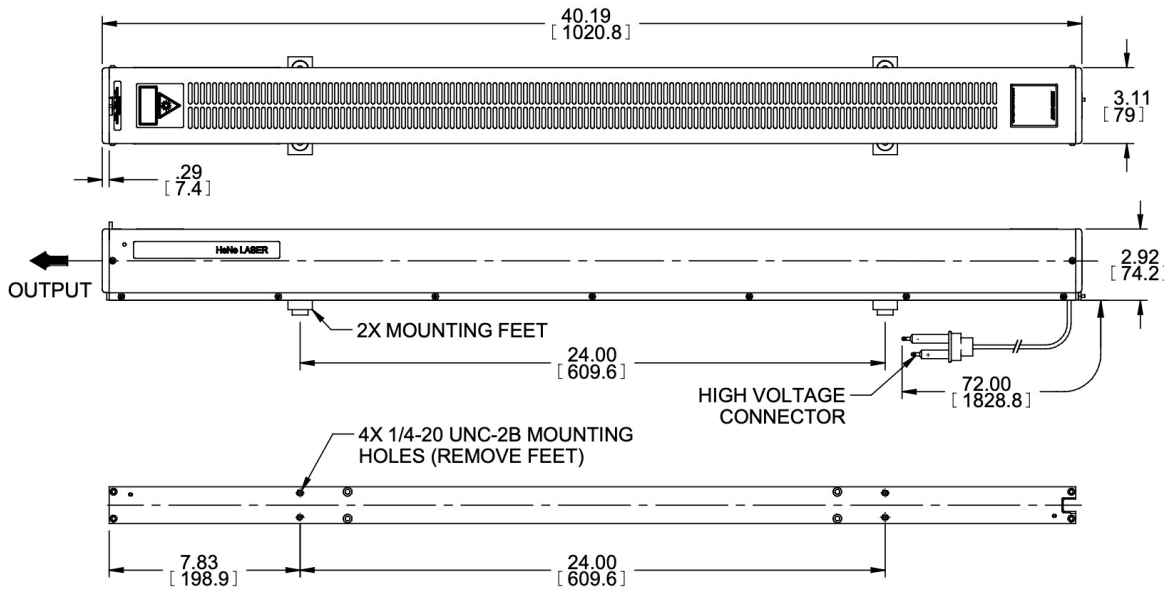
	OPERATING	NON-OPERATING
Temperature (°C)	-20 to +40	-40 to +80
Altitude (meters)	0 to 3000	0 to ∞
Relative Humidity (% , non-condensing)	0 to 99%	0 to 99%
Mechanical Shock (g)	< 1 for < 11 msec	< 25 for < 11 msec < 100 for < 1 msec

### LASER CLASSIFICATION

US 21 CFR 1040.10	Compliant [See Conditions of Acceptability page 2]	Class IIIb
IEC 60825-1:2014	Compliant [See Conditions of Acceptability page 2]	Class 3B
US FDA Accession Number		8010237

### REGULATORY COMPLIANCE

Laser Safety	IEC 60825-1:2014
Electrical Safety	IEC 61010-1:2010 + A1
Certifying Body	TUV Rheinland
RoHS 3	EU 2015/863
Product Markings	cTUVus, CE, WEEE



Dimensions in Inches (mm)



Product Labeling

EXPORT INFORMATION	LASER	POWER SUPPLY*
ECCN	EAR99	EAR99
HTTS	9013.20.0000	8504.40.9510
Country of Origin	United States	Contact Factory

THESE PRODUCTS ARE SOLD IN ACCORDANCE WITH UNITED STATES EXPORT ADMINISTRATION REGULATIONS. DIVERSION CONTRARY TO U.S. LAWS IS PROHIBITED.

\* Power Supply is Sold Separately

CONDITIONS OF ACCEPTABILITY :

- For component type devices, the following requirements shall be followed at end use.
- The laser power supply at end use shall have negative output terminal reliably connected to earth. The maximum output current of the power supply shall not exceed 2.5A under normal and fault conditions.
- Safety interlock switch, key switch, controls, laser housing and laser beam attenuator, as appropriate for each laser Class, must be present in accordance with Laser safety standards, IEC/EN 60825-1:2014.
- A visual or audio indicator, in accordance to Laser safety standards, shall be provided in the end product.
- The unit's thermal circuitry shall be evaluated in the end product.
- The end user must provide their own safety monitoring mechanism to shut down a power supply if it fails to start the laser after several seconds.
- IEC/EN 60825-12 shall be considered if the end system is a free space optical communication system used for transmission of information.

Information contained herein is for reference only and subject to change without notice.