

0.5 mW SELF-CONTAINED RED HELIUM NEON LASER MODEL: 05-LLR-811

OUTPUT SPECIFICATIONS

CW Power Output (mW)	0.5 to 1.0
Wavelength (nm)	632.8
Transverse Mode	> 90% TEM ₀₀
Polarization	Random
Beam Diameter at 1/e ² Points	0.47 ± 5%
Beam Divergence (mrad)	1.70 ± 5%
Longitudinal Mode Spacing (MHz)	1078
Mode Sweeping	< 15%
Long Term Power Drift (8 hrs)	< 10%
Amplitude Noise, 30 Hz to 30 MHz (peak-to-peak)	< 2.8%
Warmup to > 95% of Maximum Power (minutes)	15

ENVIRONMENTAL SPECIFICATIONS

OPERATING

NON-OPERATING

Temperature (°C)	-20 to +40	-40 to +80
Altitude (meters)	0 to 3000	0 to ∞
Relative Humidity (% , non-condensing)	0 to 90%	0 to 99%
Mechanical Shock (g)	< 1 for < 11 msec	< 25 for < 11 msec < 100 for < 1 msec

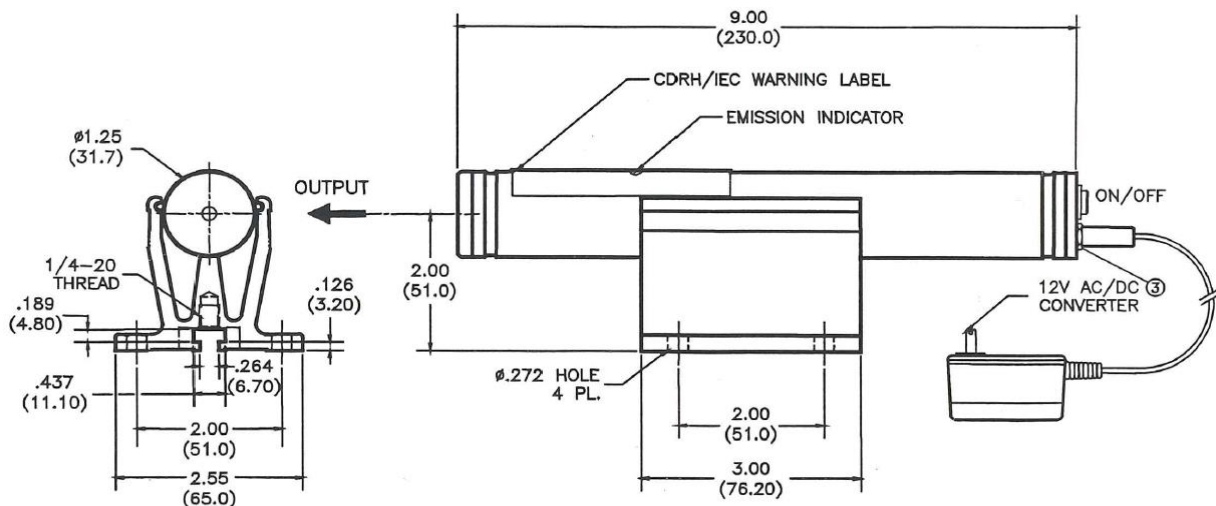
When ordering, please specify product number as follows:

05-LLR-811 – Laser head only.

05-LLR-811-230 - Includes 220V AC/DC adapter with 72 inch cable, laser head holder and carrying case.

05-LLR-811-249 - Includes 120V AC/DC adapter with 72 inch cable, laser head holder and carrying case.

Please contact factory for other options. Specifications are subject to change without notice.



UNIVERSAL MOUNTING BLOCK

This laser head can be used alone or spring-clamped in the universal mounting block. The laser head and block combination can either be used as free-standing unit or it can be rigidly mounted with three arrangements:

1. 4 clearance holes in the block base, compatible with both the standard inch and metric patterns available on Melles Griot optical tables, breadboards and many optical components.
2. A "T" slot running the length of the base will accept the head of a standard 1/4 -20 hex head bolt and capture it to prevent rotation. The bolt can be attached to a tilt-table or optical post, etc.
3. A 1/4-20 tapped hole in the center of the base, suitable for use with optical posts up to 20mm in diameter.

CLASSIFICATION:

CDRH II / IEC 2

MAXIMUM POWER OUTPUT:

1mW

LABEL INFORMATION:

