

STABILIZED HELIUM NEON LASER SYSTEMS

Models: 05-STP-910, 05-STP-912

CONFIGURATIONS ¹		
05-STP-9XX-461 (Japan)		100 VAC
05-STP-9XX-249 (North America)		115 VAC
05-STP-9XX-230 (European Union)		230 VAC
05-STP-9XX-240 (United Kingdom)		240 VAC
MODEL NUMBER:	05 STP 910	05 STP 912
OUTPUT SPECIFICATIONS:		
Output Power @ 632.8nm:	>0.5 mW	>1.0 mW
Beam Diameter (1/e ²):	0.48 mm	0.54 mm
Beam Divergence (full cone):	1.70 mrad	1.50 mrad
Transverse Spatial Mode:	TEM ₀₀	TEM ₀₀
Polarization (linear):	>1000:1	>1000:1
Warm-up Time (Frequency Lock):	<10 minutes	<10 minutes
Amplitude Noise (30 Hz – 10 MHz)	0.1% rms	0.1% rms
Frequency Tunability (Blue Side):	400 - 600 MHz	50 - 600 MHz
Amplitude Tunability, typical:	0.35 – 0.70 mW	0.60 – 1.40 mW
Coherence Length:		
1 Hour:	>300 Meters	>300 Meters
8 Hours:	>30 Meters	>30 Meters
1 Month:	>30 Meters	>30 Meters
Amplitude Stability:		
1 Hour:	±0.1 %	±0.1 %
8 Hours:	±0.1 %	±0.1 %
1 Month:	±0.2 %	±0.2 %
Frequency Stability:		
1 Hour:	<±1 MHz	<±1 MHz
8 Hours:	±1 MHz	±1 MHz
1 Month:	±10 MHz	±10 MHz
LASER HEAD ELECTRICAL SPECIFICATIONS:		
Start Voltage (kVDC):	<10	<10
Operating Voltage (VDC):	1220 ± 100	1600 ± 100
Operating Current (mA):	4.0 ± 0.2	4.0 ± 0.2
SINGLE FREQUENCY ADAPTER (SFA) ELECTRICAL SPECIFICATIONS²:		
Input Voltage (VDC):	13.5 to 15.5	13.5 to 15.5
Input Current (A):	1.0	1.0
RECOMMENDED POWER SUPPLY¹:		
(CDRH, 115 - 240 VAC)	05-LPL-900-040	05-LPL-901-040
(CDRH, 100 VAC)	05-LPL-900-040*	05-LPL-901-040*
(OEM, 115 - 240 VAC)	05-LPM-900-040	05-LPM-901-040
(OEM, 100 VAC)	05-LPM-900-040*	05-LPM-901-040*
(OEM, 10 - 15 VDC)	05-LPM-851-040	05-LPM-851-040
AGENCY LISTING AND CERTIFICATION:		
CDRH:	II	IIIa
IEC:	2	3R
ENVIRONMENTAL SPECIFICATIONS:		
Temperature (Operating):	15 °C to +35 °C (all models)	

¹ For other options contact factory.

² AC/DC converter included

Specifications are subject to change without notice.

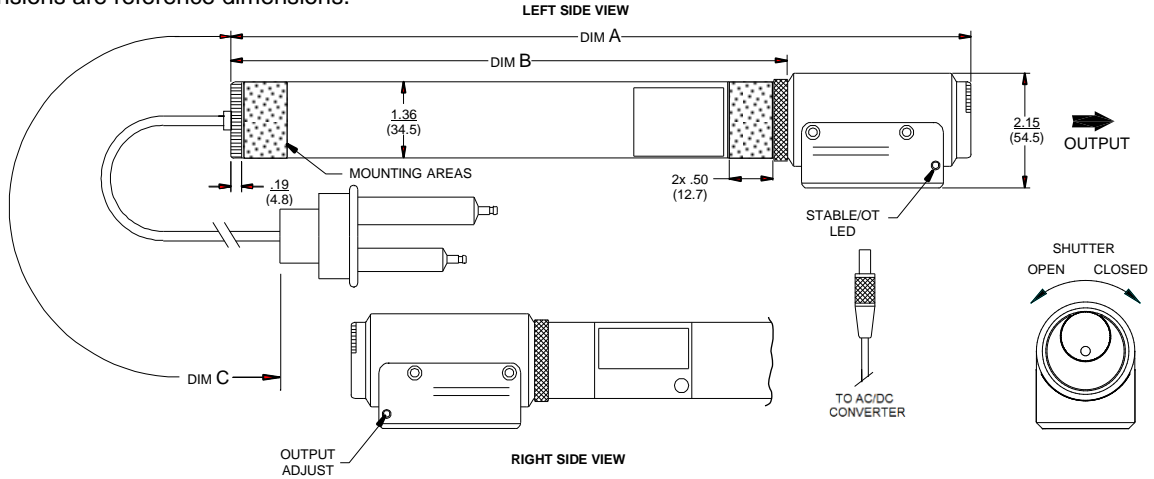
Rev 5.19.1

SPECIFICATIONS

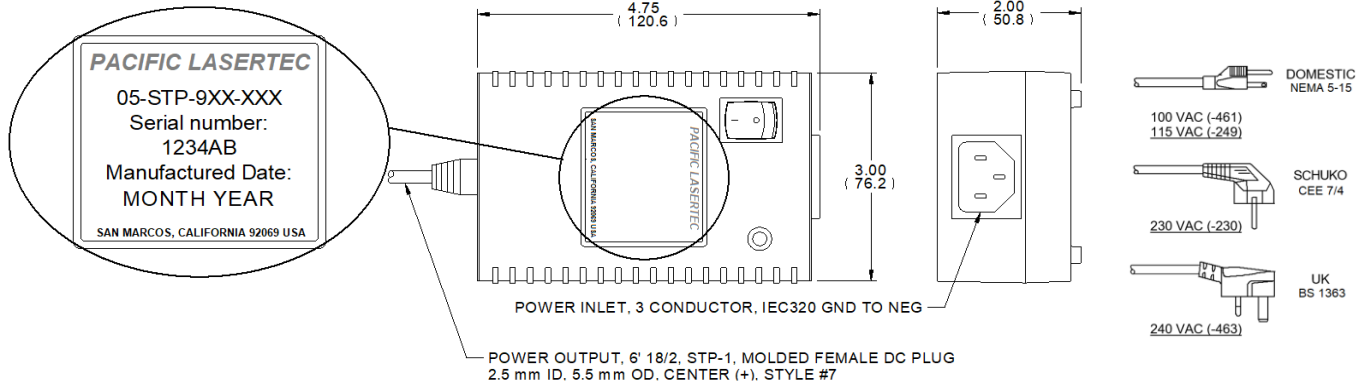


NOTES:

1. Dimensions in parentheses are in millimeters.
2. All dimensions are reference dimensions.



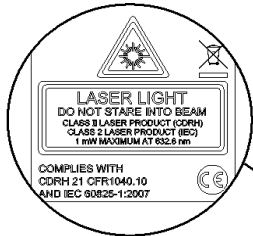
MODEL	DIM A	DIM B	DIM C
05-STP-910-XXX	10.20 (259.1)	6.96 (176.8)	72.00 (1828.8)
05-STP-912-XXX	11.89 (302.0)	8.65 (219.7)	72.00 (1828.8)



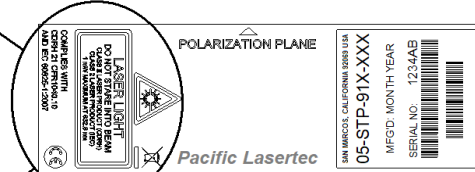
PACIFIC LASERTEC
05-STP-9XX-XXX
Serial number:
1234AB
Manufactured Date:
MONTH YEAR
SAN MARCOS, CALIFORNIA 92069 USA

05-STP-910

AC/DC CONVERTER



05-STP-912



CDRH/IEC Information Label



Aperture Label



Temperature Warning Label