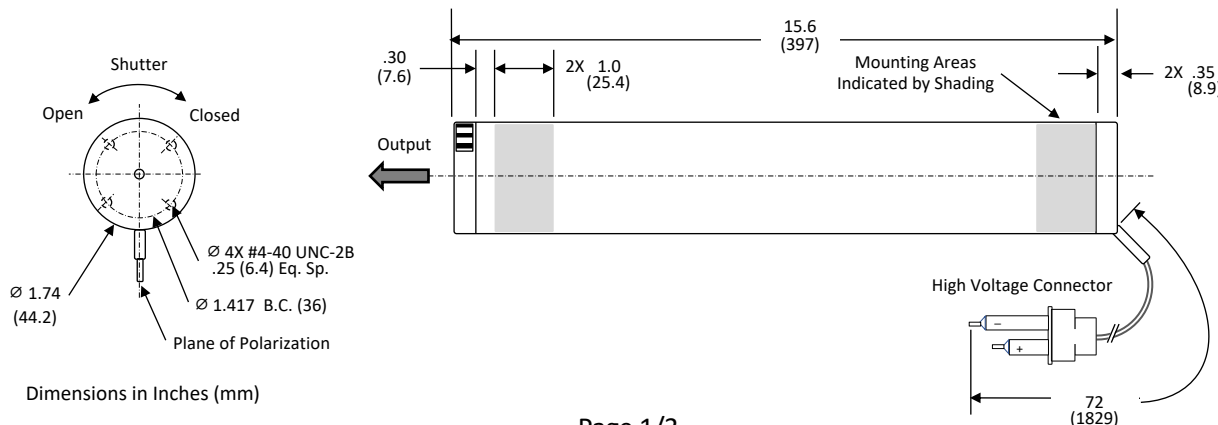


# 5.0 mW 632.8 nm (RED) HeNe LASER SYSTEM MODEL: 25-LHP-151

LASER OUTPUT SPECIFICATIONS			
Minimum CW Power Output (mW)		5.0	
Wavelength (nm)		632.8	
Transverse Mode		> 90% TEM <sub>00</sub>	
Polarization		Linear >500:1	
Beam Diameter at 1/e <sup>2</sup> Points (mm)		0.80 ± 5%	
Beam Divergence (mrad)		1.00 ± 5%	
Longitudinal Mode Spacing (MHz)		438	
Mode Sweeping		≤ 2%	
Long Term Power Drift (8 hrs)		≤ 5%	
Amplitude Noise, 30 Hz to 30 MHz (peak-to-peak)		≤ 2.8%	
Warmup to > 95% of Maximum Power (minutes)		15	
Beam Concentricity with Respect to Housing (mm)		± 0.1	
Beam Parallelism with Respect to Housing (mrad)		< 0.5	
LASER ELECTRICAL SPECIFICATIONS			
Start Voltage (kVdc)		≤ 10	
Recommended Operating Current (mA)		6.5 ± 0.2	
Operating Voltage (VDC)		2310 ± 100	
Power Supply (Included)		Model 06-LPL-902-065	
SYSTEM ENVIRONMENTAL SPECIFICATIONS		OPERATING	NON-OPERATING
Temperature (°C)		-20 to +40	-40 to +80
Altitude (meters)		0 to 3000	0 to ∞
Relative Humidity (% , non-condensing)		0 to 90	0 to 99
Mechanical Shock (g)		< 25 for < 11 msec < 100 for < 1 msec	< 25 for < 11 msec < 100 for < 1 msec

## LASER DIMENSIONS



# 5.0 mW 632.8 nm (RED) HeNe LASER SYSTEM MODEL: 25-LHP-151

**POWER SUPPLY INPUT SPECIFICATIONS**

Voltage (VAC)	100 to 120 or 230 to 264
Line Frequency (Hz)	50 or 60
Current (A)	0.23 at 115 VAC / 0.12 at 230 VAC

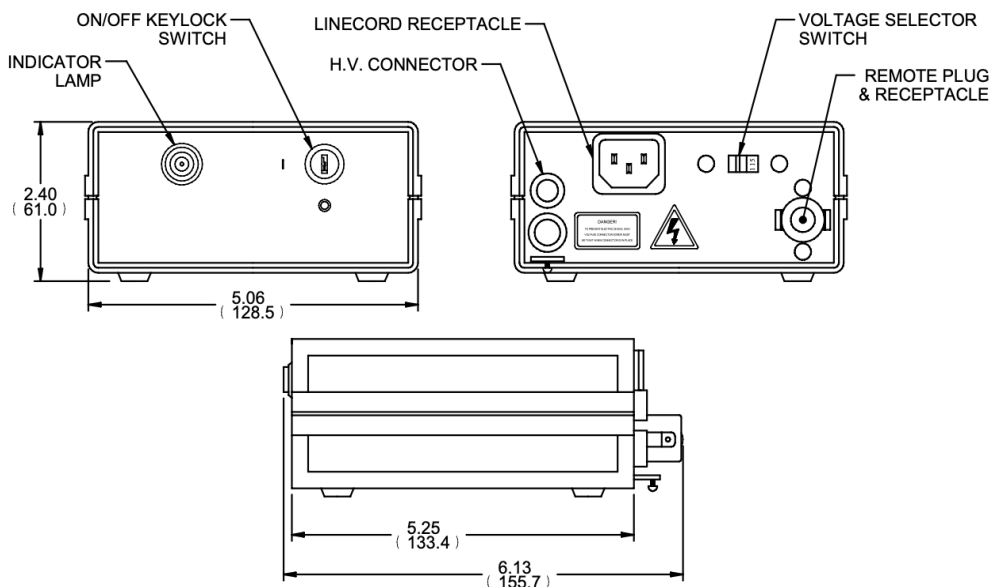
**POWER SUPPLY OUTPUT SPECIFICATIONS**

Sustaining Voltage (VDC)	1850 to 2450
Start Voltage (kVDC)	≥ 10
Current Setting (mA)	6.5 ± 0.2
Power (W)	< 16.4
Current Ripple (% Peak to Peak)	< 2.0
Current Ripple (% RMS)	< 0.71
Leakage Current (mA)	< 5.0
Ground Resistance (Ohms)	0.1
Input-Output Isolation (VAC)	1000
Time Delay (Seconds)	3 to 5

Specifications are subject to change without notice.

\*Please specify AC cord plug type: NEMA 5-15P for 100 to 120VAC, Schuko (CEE7/4) for 230VAC, or BS 1363 for 230 or 240VAC.

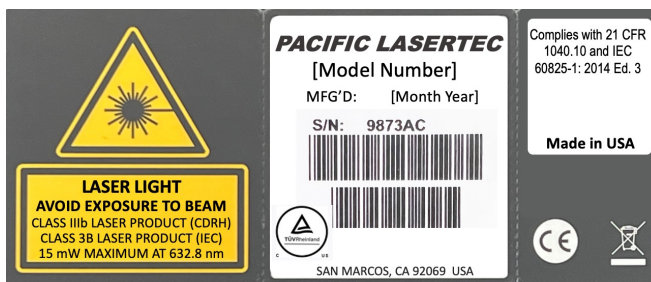
**POWER SUPPLY DIMENSIONS**



Dimensions in Inches (mm)  
Reference Dimensions Only

# 5.0 mW 632.8 nm (RED) HeNe LASER SYSTEM MODEL: 25-LHP-151

LASER CLASSIFICATION		
US 21 CFR 1040.10		Class IIIb
IEC 60825-1:2014		Class 3B
US FDA Accession Number		8010237
REGULATORY COMPLIANCE		
Laser Safety		IEC 60825-1:2014
Electrical Safety		IEC 61010-1:2010 + A1
Certifying Body		TUV Rheinland
RoHS 3		EU 2015/863
Product Markings		cTUVus, CE, UKCA, WEEE
EXPORT INFORMATION	LASER	POWER SUPPLY
ECCN	EAR99	EAR99
HTTS	9013.20.0000	8504.40.9510
Country of Origin	United States	United States
<i>THESE PRODUCTS ARE SOLD IN ACCORDANCE WITH UNITED STATES EXPORT ADMINISTRATION REGULATIONS. DIVERSION CONTRARY TO U.S. LAWS IS PROHIBITED.</i>		



Product Labeling

Information contained herein is for reference only and subject to change without notice.