

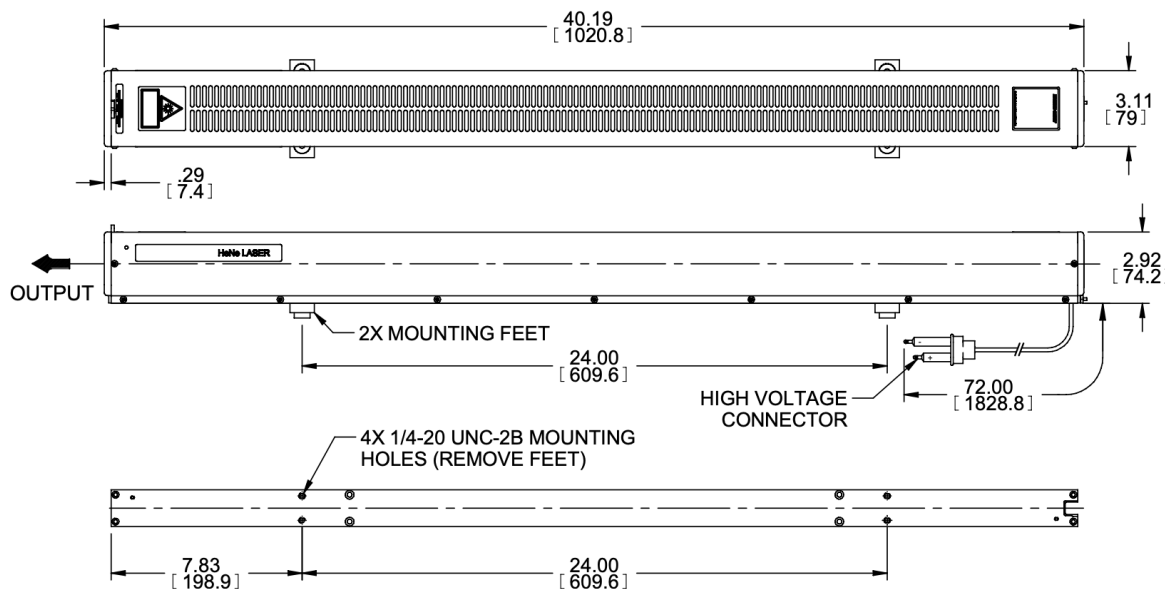
25.0 mW 632.8 nm (RED) HeNe LASER SYSTEM

MODEL: 25-LHP-828

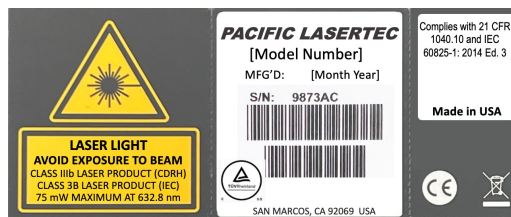
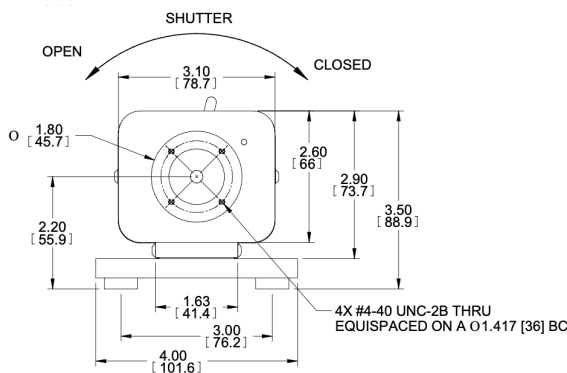
LASER OUTPUT SPECIFICATIONS		
Minimum CW Power Output (mW)		25.0
Wavelength (nm)		632.8
Transverse Mode		> 90% TEM ₀₀
Polarization		Linear >500:1
Beam Diameter at 1/e ² Points (mm)		1.23 ± 5%
Beam Divergence (mrad)		.66 ± 5%
Longitudinal Mode Spacing (MHz)		165
Mode Sweeping		≤ 5%
Long Term Power Drift (8 hrs)		≤ 5%
Amplitude Noise, 30 Hz to 30 MHz (peak-to-peak)		≤ 2%
Warmup to > 95% of Maximum Power (minutes)		< 60
Beam Concentricity with Respect to Housing (mm)		± 0.25
Beam Parallelism with Respect to Housing (mrad)		< 1
LASER ELECTRICAL SPECIFICATIONS		
Start Voltage (kVdc)		≤ 15
Recommended Operating Current (mA)		8.0 ± 0.2
Operating Voltage (VDC)		5100 ± 100
Power Supply (Included)		Model 06-LPL-944-080
SYSTEM ENVIRONMENTAL SPECIFICATIONS		
	OPERATING	NON-OPERATING
Temperature (°C)	-20 to +40	-40 to +80
Altitude (meters)	0 to 3000	0 to ∞
Relative Humidity (% , non-condensing)	0 to 90	0 to 99
Mechanical Shock (g)	< 25 for < 11 msec < 100 for < 1 msec	< 25 for < 11 msec < 100 for < 1 msec
LASER CLASSIFICATION		
US 21 CFR 1040.10		Class IIIb
IEC 60825-1:2014		Class 3B
US FDA Accession Number		8010237
REGULATORY COMPLIANCE		
Laser Safety		IEC 60825-1:2014
Electrical Safety		IEC 61010-1:2010 + A1
Certifying Body		TUV Rheinland
RoHS 3		EU 2015/863
Product Markings		cTUVus, CE, WEEE

25.0 mW 632.8 nm (RED) HeNe LASER SYSTEM MODEL: 25-LHP-828

LASER DIMENSIONS



Dimensions in Inches (mm)



Product Labeling

EXPORT INFORMATION	LASER	POWER SUPPLY*
ECCN	EAR99	EAR99
HTTS	9013.20.0000	8504.40.9510
Country of Origin	United States	Contact Factory

THESE PRODUCTS ARE SOLD IN ACCORDANCE WITH UNITED STATES EXPORT ADMINISTRATION REGULATIONS. DIVERSION CONTRARY TO U.S. LAWS IS PROHIBITED.

Information contained herein is for reference only and subject to change without notice.

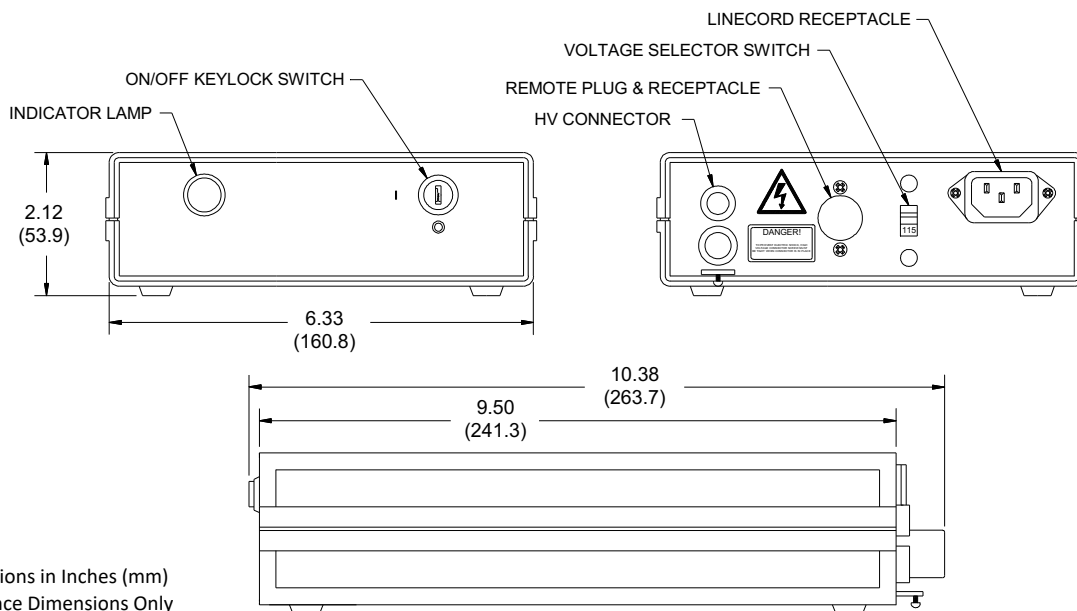
25.0 mW 632.8 nm (RED) HeNe LASER SYSTEM MODEL: 25-LHP-828

POWER SUPPLY INPUT SPECIFICATIONS	
Voltage (VAC)	100 to 120 or 230 to 264
Line Frequency (Hz)	50 or 60
Current (A)	0.60 at 115 VAC / 0.30 at 230 VAC
POWER SUPPLY OUTPUT SPECIFICATIONS	
Sustaining Voltage (VDC)	4400 to 5300
Start Voltage (kVDC)	≥ 16
Current Setting (mA)	8.0 ± 0.2
Power (W)	< 43.5
Current Ripple (% Peak to Peak)	< 2.0
Current Ripple (% RMS)	< 2.0
Leakage Current (mA)	< 5.0
Ground Resistance (Ohms)	0.1
Input-Output Isolation (VAC)	1000
Time Delay (Seconds)	3 to 5

Specifications are subject to change without notice.

*Please specify AC cord plug type: NEMA 5-15P for 100 to 120VAC, Schuko (CEE7/4) for 230VAC, or BS 1363 for 230 or 240VAC.

POWER SUPPLY DIMENSIONS



Dimensions in Inches (mm)
Reference Dimensions Only