

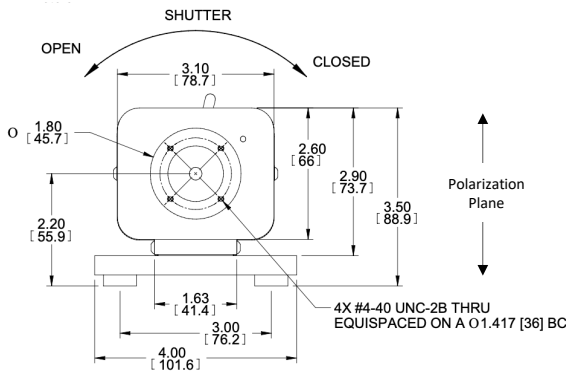
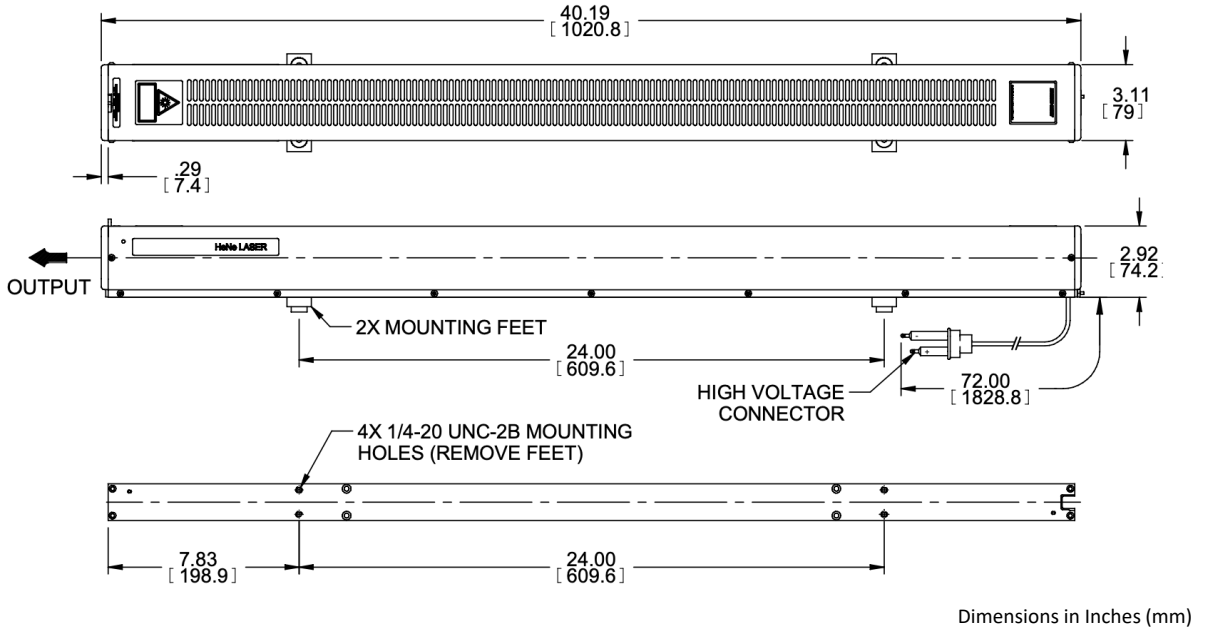
# 25.0 mW 632.8 nm (RED) HeNe LASER SYSTEM

## MODEL: 25-LHP-828

<b>LASER OUTPUT SPECIFICATIONS</b>		
Minimum CW Power Output (mW)		25.0
Wavelength (nm)		632.8
Transverse Mode		> 90% TEM <sub>00</sub>
Polarization		Linear >500:1
Beam Diameter at 1/e <sup>2</sup> Points (mm)		1.23 ± 5%
Beam Divergence (mrad)		.66 ± 5%
Longitudinal Mode Spacing (MHz)		165
Mode Sweeping		≤ 5%
Long Term Power Drift (8 hrs)		≤ 5%
Amplitude Noise, 30 Hz to 30 MHz (peak-to-peak)		≤ 2%
Warmup to > 95% of Maximum Power (minutes)		< 60
Beam Concentricity with Respect to Housing (mm)		± 0.25
Beam Parallelism with Respect to Housing (mrad)		< 1
<b>LASER ELECTRICAL SPECIFICATIONS</b>		
Start Voltage (kVdc)		≤ 15
Recommended Operating Current (mA)		8.0 ± 0.2
Operating Voltage (VDC)		5100 ± 100
Power Supply (Included)		Model 06-LPL-944-080
<b>SYSTEM ENVIRONMENTAL SPECIFICATIONS</b>		
	<b>OPERATING</b>	<b>NON-OPERATING</b>
Temperature (°C)	-20 to +40	-40 to +80
Altitude (meters)	0 to 3000	0 to ∞
Relative Humidity (% , non-condensing)	0 to 90	0 to 99
Mechanical Shock (g)	< 25 for < 11 msec < 100 for < 1 msec	< 25 for < 11 msec < 100 for < 1 msec
<b>LASER CLASSIFICATION</b>		
US 21 CFR 1040.10		Class IIIb
IEC 60825-1:2014		Class 3B
US FDA Accession Number		8010237
<b>REGULATORY COMPLIANCE</b>		
Laser Safety		IEC 60825-1:2014
Electrical Safety		IEC 61010-1:2010 + A1
Certifying Body		TUV Rheinland
RoHS 3		EU 2015/863
Product Markings		cTUVus, CE, WEEE

# 25.0 mW 632.8 nm (RED) HeNe LASER SYSTEM MODEL: 25-LHP-828

## LASER DIMENSIONS



Product Labeling

EXPORT INFORMATION	LASER	POWER SUPPLY*
ECCN	EAR99	EAR99
HTTS	9013.20.0000	8504.40.9510
Country of Origin	United States	Contact Factory

THESE PRODUCTS ARE SOLD IN ACCORDANCE WITH UNITED STATES EXPORT ADMINISTRATION REGULATIONS. DIVERSION CONTRARY TO U.S. LAWS IS PROHIBITED.

Information contained herein is for reference only and subject to change without notice.

# 25.0 mW 632.8 nm (RED) HeNe LASER SYSTEM MODEL: 25-LHP-828

<b>POWER SUPPLY INPUT SPECIFICATIONS</b>	
Voltage (VAC)	100 to 120 or 230 to 264
Line Frequency (Hz)	50 or 60
Current (A)	0.60 at 115 VAC / 0.30 at 230 VAC
<b>POWER SUPPLY OUTPUT SPECIFICATIONS</b>	
Sustaining Voltage (VDC)	4400 to 5300
Start Voltage (kVDC)	≥ 16
Current Setting (mA)	8.0 ± 0.2
Power (W)	< 43.5
Current Ripple (% Peak to Peak)	< 2.0
Current Ripple (% RMS)	< 2.0
Leakage Current (mA)	< 5.0
Ground Resistance (Ohms)	0.1
Input-Output Isolation (VAC)	1000
Time Delay (Seconds)	3 to 5

Specifications are subject to change without notice.

\*Please specify AC cord plug type: NEMA 5-15P for 100 to 120VAC, Schuko (CEE7/4) for 230VAC, or BS 1363 for 230 or 240VAC.

### POWER SUPPLY DIMENSIONS

