

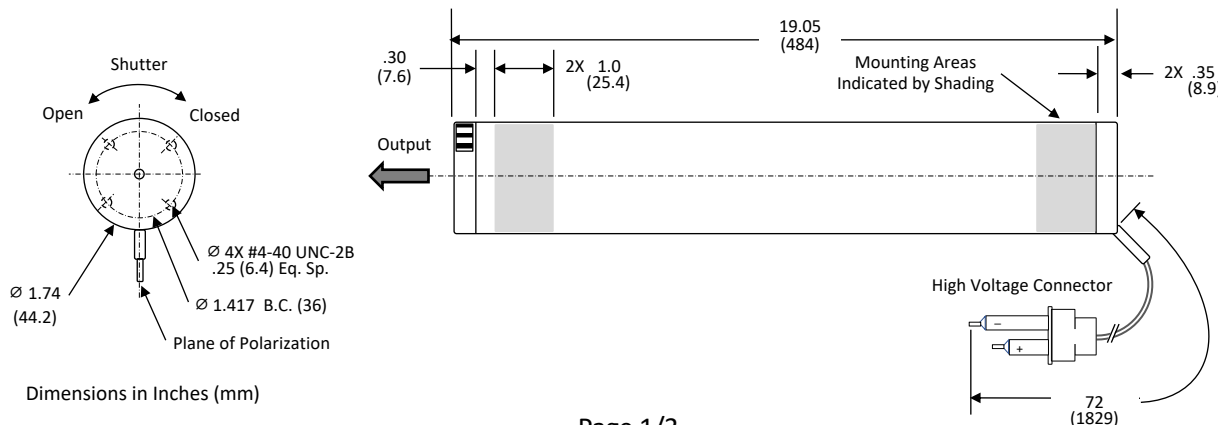
13.0 mW 632.8 nm (RED) HeNe LASER SYSTEM MODEL: 25-LHP-991-529

LASER OUTPUT SPECIFICATIONS	
Minimum CW Power Output (mW)	13.0
Wavelength (nm)	632.8
Transverse Mode	> 90% TEM ₀₀
Polarization	Linear >500:1
Beam Diameter at 1/e ² Points (mm)	0.65 ± 5%
Beam Divergence (mrad)	1.24 ± 5%
Longitudinal Mode Spacing (MHz)	341
Mode Sweeping	≤ 2%
Long Term Power Drift (8 hrs)	≤ 5%
Amplitude Noise, 30 Hz to 30 MHz (peak-to-peak)	≤ 2.8%
Warmup to > 95% of Maximum Power (minutes)	15
Beam Concentricity with Respect to Housing (mm)	± 0.1
Beam Parallelism with Respect to Housing (mrad)	< 0.5

LASER ELECTRICAL SPECIFICATIONS	
Start Voltage (kVdc)	≤ 10
Recommended Operating Current (mA)	6.5 ± 0.2
Operating Voltage (VDC)	2640 ± 100
Power Supply (Included)	Model 06-LPL-915-065

SYSTEM ENVIRONMENTAL SPECIFICATIONS	OPERATING	NON-OPERATING
Temperature (°C)	-20 to +40	-40 to +80
Altitude (meters)	0 to 3000	0 to ∞
Relative Humidity (% , non-condensing)	0 to 90	0 to 99
Mechanical Shock (g)	< 25 for < 11 msec < 100 for < 1 msec	< 25 for < 11 msec < 100 for < 1 msec

LASER DIMENSIONS



13.0 mW 632.8 nm (RED) HeNe LASER SYSTEM MODEL: 25-LHP-991-529

POWER SUPPLY INPUT SPECIFICATIONS

Voltage (VAC)	100 to 120 or 230 to 264
Line Frequency (Hz)	50 or 60
Current (A)	0.40 at 115 VAC / 0.20 at 230 VAC

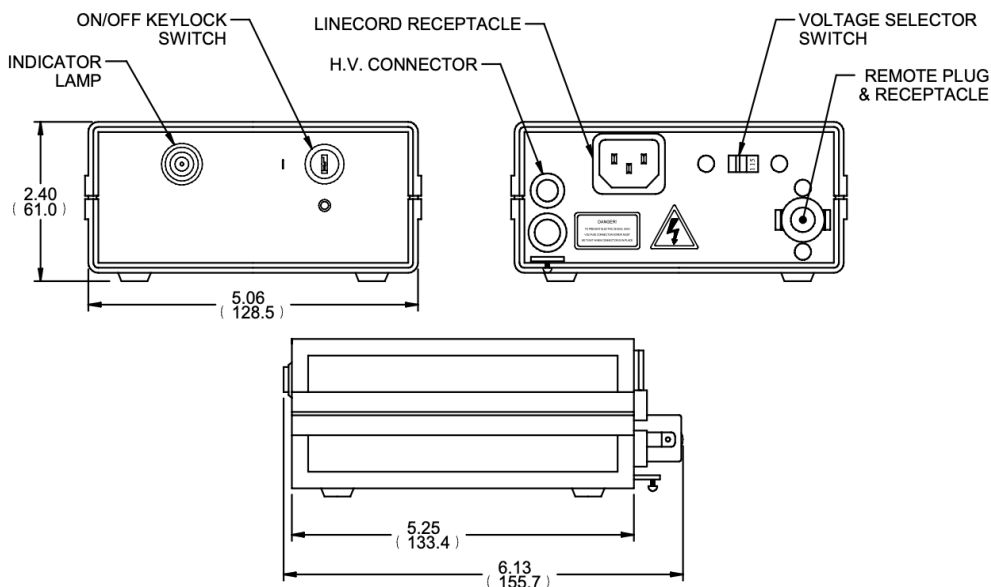
POWER SUPPLY OUTPUT SPECIFICATIONS

Sustaining Voltage (VDC)	2400 to 3200
Start Voltage (kVDC)	≥ 10
Current Setting (mA)	6.5 ± 0.2
Power (W)	< 21.5
Current Ripple (% Peak to Peak)	< 2.0
Current Ripple (% RMS)	< 0.71
Leakage Current (mA)	< 5.0
Ground Resistance (Ohms)	0.1
Input-Output Isolation (VAC)	1000
Time Delay (Seconds)	3 to 5

Specifications are subject to change without notice.

*Please specify AC cord plug type: NEMA 5-15P for 100 to 120VAC, Schuko (CEE7/4) for 230VAC, or BS 1363 for 230 or 240VAC.

POWER SUPPLY DIMENSIONS

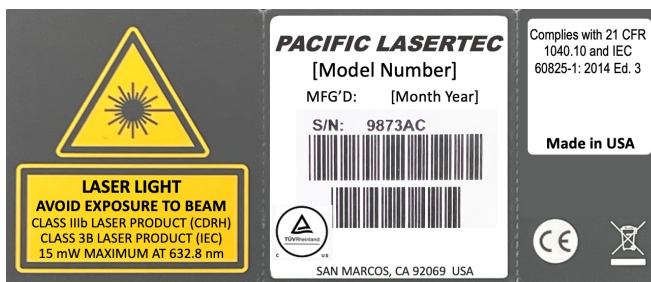


Dimensions in Inches (mm)
Reference Dimensions Only

13.0 mW 632.8 nm (RED) HeNe LASER SYSTEM

MODEL: 25-LHP-991-529

LASER CLASSIFICATION		
US 21 CFR 1040.10		Class IIIb
IEC 60825-1:2014		Class 3B
US FDA Accession Number		8010237
REGULATORY COMPLIANCE		
Laser Safety		IEC 60825-1:2014
Electrical Safety		IEC 61010-1:2010 + A1
Certifying Body		TUV Rheinland
RoHS 3		EU 2015/863
Product Markings		cTUVus, CE, UKCA, WEEE
EXPORT INFORMATION	LASER	POWER SUPPLY
ECCN	EAR99	EAR99
HTTS	9013.20.0000	8504.40.9510
Country of Origin	United States	United States
<i>THESE PRODUCTS ARE SOLD IN ACCORDANCE WITH UNITED STATES EXPORT ADMINISTRATION REGULATIONS. DIVERSION CONTRARY TO U.S. LAWS IS PROHIBITED.</i>		



Product Labeling

Information contained herein is for reference only and subject to change without notice.