

STABILIZED HELIUM NEON LASER SYSTEM

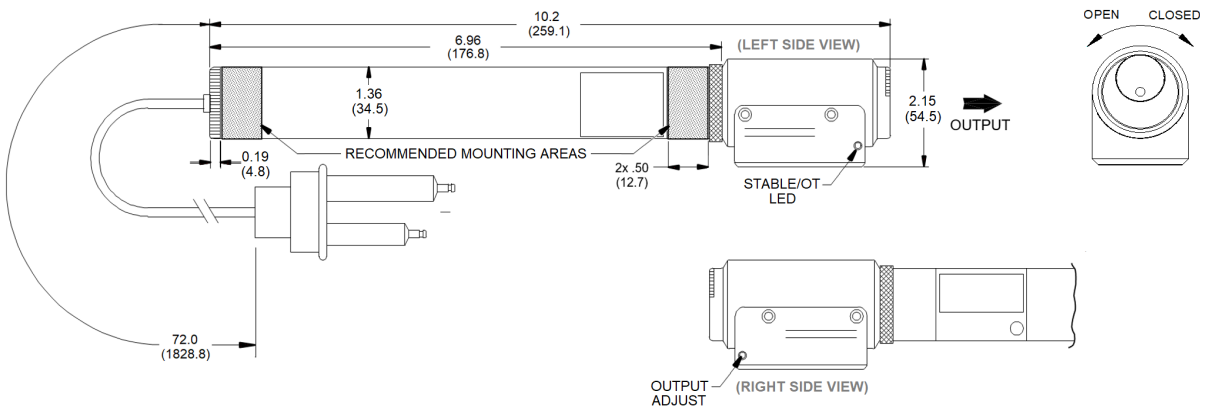
MODEL: 25-STP-910

OUTPUT SPECIFICATIONS		
Minimum CW Power Output (mW)	0.50	
Center Wavelength in Vacuum (nm)	632.991420	
Beam Diameter at 1/e ² (mm)	0.48	
Beam Divergence (mrad)	1.70	
Transverse Mode	> 99% TEM ₀₀	
Polarization	Linear > 500:1	
Warm-up Time, Frequency Lock (minutes)	< 10	
Amplitude Noise, 30 Hz to 10 MHz (RMS)	0.1%	
Frequency Tunability Range, Blue Side (MHz)	400 - 600	
Amplitude Tunability Range, typical (mW)	0.35 - 0.70	
Coherence Length:		
1 Hour (Meters)	> 300	
8 Hours (Meters)	> 30	
1 Month (Meters)	> 30	
Amplitude Stability:		
1 Hour (%)	± 0.1	
8 Hours (%)	± 0.1	
1 Month (%)	± 0.2	
Frequency Stability:		
1 Hour (MHz)	< ± 5	
8 Hours (MHz)	± 7	
1 Month (MHz)	± 10	
ELECTRICAL SPECIFICATIONS	LASER HEAD	Power Supply
Start Voltage (kVDC)	<10	-
Operating Voltage (VDC)	1220 ± 100	80 to 260 VAC @ 47 – 63 Hz
Operating Current (mA)	4.0 ± 0.2	1.2/115VAC 0.6/230VAC
SINGLE FREQUENCY ADAPTER (SFA) ELECTRICAL SPECIFICATIONS		
Input Voltage (VDC)	12.0	
Input Current (A)	2.0	
ENVIRONMENTAL SPECIFICATIONS	OPERATING	NON-OPERATING
Temperature (°C)	15 to +35	-20 to +80
Relative Humidity (% , non-condensing)	0 to 90	0 to 90
REGULATORY COMPLIANCE*		
Laser Safety	IEC 60825-1:2014	
Electrical Safety	IEC 61010-1:2010 + A1	
Certifying Body	TUV Rheinland	
RoHS 3	EU 2015/863	
Product Markings	cTUVus, CE, UKCA, WEEE	

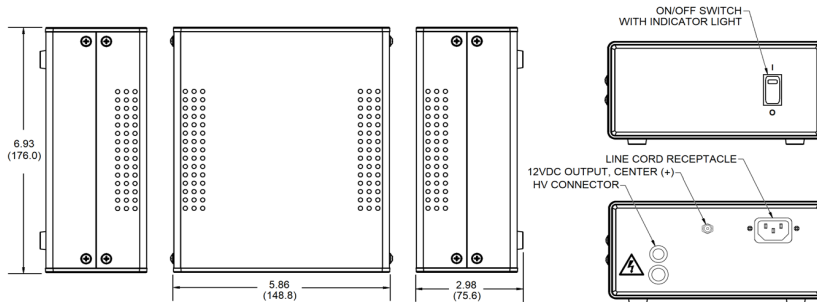
* See separate compliance statement for further information



Laser Head



Power Supply



Please see Pacific Lasertec part number 05-LPL-851-040 for additional power supply specifications

LASER CLASSIFICATION

US 21 CFR 1040.10	Compliant	Class II
IEC 60825-1:2014	Compliant	Class 2
US FDA Accession Number		9320815

EXPORT INFORMATION

	LASER	POWER SUPPLY
ECCN	EAR99	EAR99
HTTS	9013.20.0000	8504.40.9510
Country of Origin	United States	United States

THESE PRODUCTS ARE SOLD IN ACCORDANCE WITH UNITED STATES EXPORT ADMINISTRATION REGULATIONS. DIVERSION CONTRARY TO U.S. LAWS IS PROHIBITED.

Information contained herein is for reference only and subject to change without notice.

