

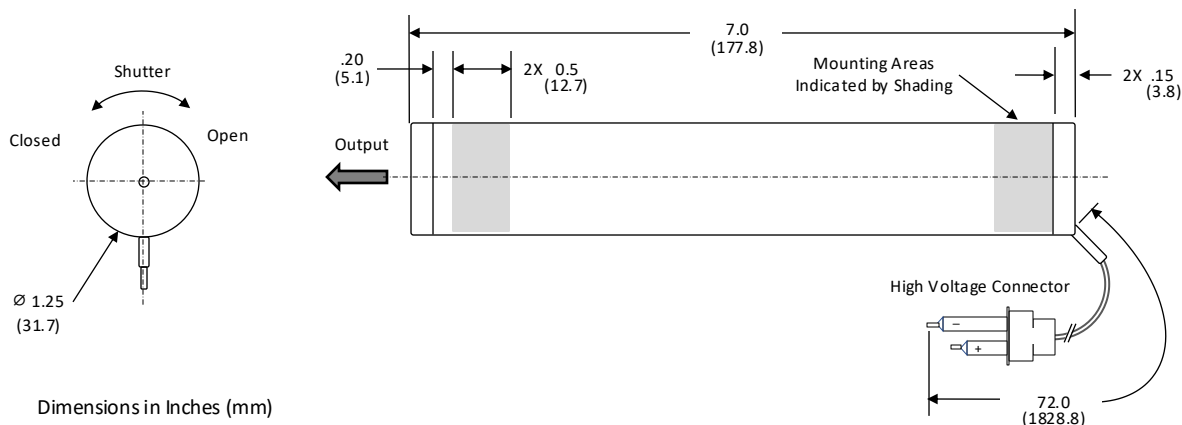
0.84mW 632.8 nm (RED) HeNe LASER SYSTEM MODEL: 25-LHR-211

| LASER OUTPUT SPECIFICATIONS | |
|---|-------------------------|
| Minimum CW Power Output (mW) | .84 |
| Wavelength (nm) | 632.8 |
| Transverse Mode | > 90% TEM ₀₀ |
| Polarization | Random |
| Beam Diameter at 1/e ² Points (mm) | 0.46 ± 5% |
| Beam Divergence (mrad) | 1.77 ± 5% |
| Longitudinal Mode Spacing (MHz) | 1063 |
| Mode Sweeping | ≤ 10% |
| Long Term Power Drift (8 hrs) | ≤ 5% |
| Amplitude Noise, 30 Hz to 30 MHz (peak-to-peak) | ≤ 2.8% |
| Warmup to > 95% of Maximum Power (minutes) | 15 |
| Beam Concentricity with Respect to Housing (mm) | ± 0.1 |
| Beam Parallelism with Respect to Housing (mrad) | < 0.5 |

| LASER ELECTRICAL SPECIFICATIONS | |
|------------------------------------|----------------------|
| Start Voltage (kVdc) | ≤ 10 |
| Recommended Operating Current (mA) | 4.0 ± 0.2 |
| Operating Voltage (VDC) | 1320 ± 100 |
| Power Supply (Included) | Model 06-LPL-920-040 |

| SYSTEM ENVIRONMENTAL SPECIFICATIONS | OPERATING | NON-OPERATING |
|--|--|--|
| Temperature (°C) | -20 to +40 | -40 to +80 |
| Altitude (meters) | 0 to 3000 | 0 to ∞ |
| Relative Humidity (% , non-condensing) | 0 to 90 | 0 to 99 |
| Mechanical Shock (g) | < 25 for < 11 msec < 100 for < 1 msec | < 25 for < 11 msec < 100 for < 1 msec |

LASER DIMENSIONS



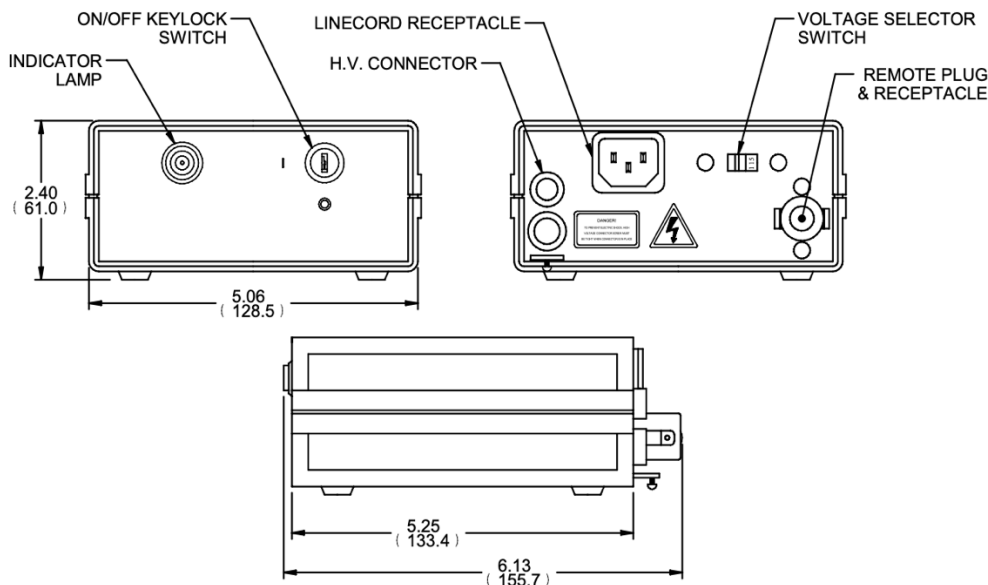
0.84 mW 632.8 nm (RED) HeNe LASER SYSTEM MODEL: 25-LHR-211

| POWER SUPPLY INPUT SPECIFICATIONS | |
|------------------------------------|-----------------------------------|
| Voltage (VAC) | 100 to 120 or 230 to 264 |
| Line Frequency (Hz) | 50 or 60 |
| Current (A) | 0.23 at 115 VAC / 0.12 at 230 VAC |
| POWER SUPPLY OUTPUT SPECIFICATIONS | |
| Sustaining Voltage (VDC) | 800 to 1600 |
| Start Voltage (kVDC) | ≥ 8 |
| Current Setting (mA) | 4.0 ± 0.2 |
| Power (W) | < 7.52 |
| Current Ripple (% Peak to Peak) | < 2.0 |
| Current Ripple (% RMS) | < 0.71 |
| Leakage Current (mA) | < 5.0 |
| Ground Resistance (Ohms) | 0.1 |
| Input-Output Isolation (VAC) | 1000 |
| Time Delay (Seconds) | 3 to 5 |

Specifications are subject to change without notice.

*Please specify AC cord plug type: NEMA 5-15P for 100 to 120VAC, Schuko (CEE7/4) for 230VAC, or BS 1363 for 230 or 240VAC.

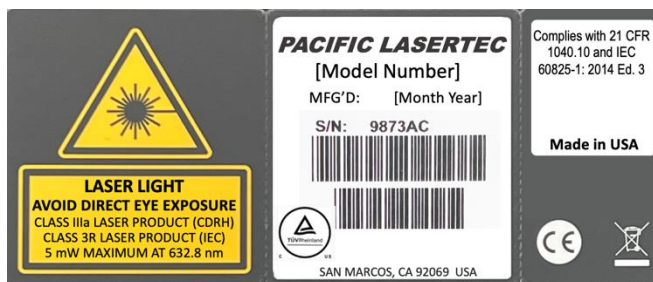
POWER SUPPLY DIMENSIONS



Dimensions in Inches (mm)
Reference Dimensions Only

0.84 mW 632.8 nm (RED) HeNe LASER SYSTEM MODEL: 25-LHR-211

| LASER CLASSIFICATION | | |
|---|---------------|------------------------|
| US 21 CFR 1040.10 | | Class IIIa |
| IEC 60825-1:2014 | | Class 3R |
| US FDA Accession Number | | 8010237 |
| REGULATORY COMPLIANCE | | |
| Laser Safety | | IEC 60825-1:2014 |
| Electrical Safety | | IEC 61010-1:2010 + A1 |
| Certifying Body | | TUV Rheinland |
| RoHS 3 | | EU 2015/863 |
| Product Markings | | cTUVus, CE, UKCA, WEEE |
| EXPORT INFORMATION | LASER | POWER SUPPLY |
| ECCN | EAR99 | EAR99 |
| HTTS | 9013.20.0000 | 8504.40.9510 |
| Country of Origin | United States | United States |
| <i>THESE PRODUCTS ARE SOLD IN ACCORDANCE WITH UNITED STATES EXPORT ADMINISTRATION REGULATIONS. DIVERSION CONTRARY TO U.S. LAWS IS PROHIBITED.</i> | | |



Product Labeling

Information contained herein is for reference only and subject to change without notice.