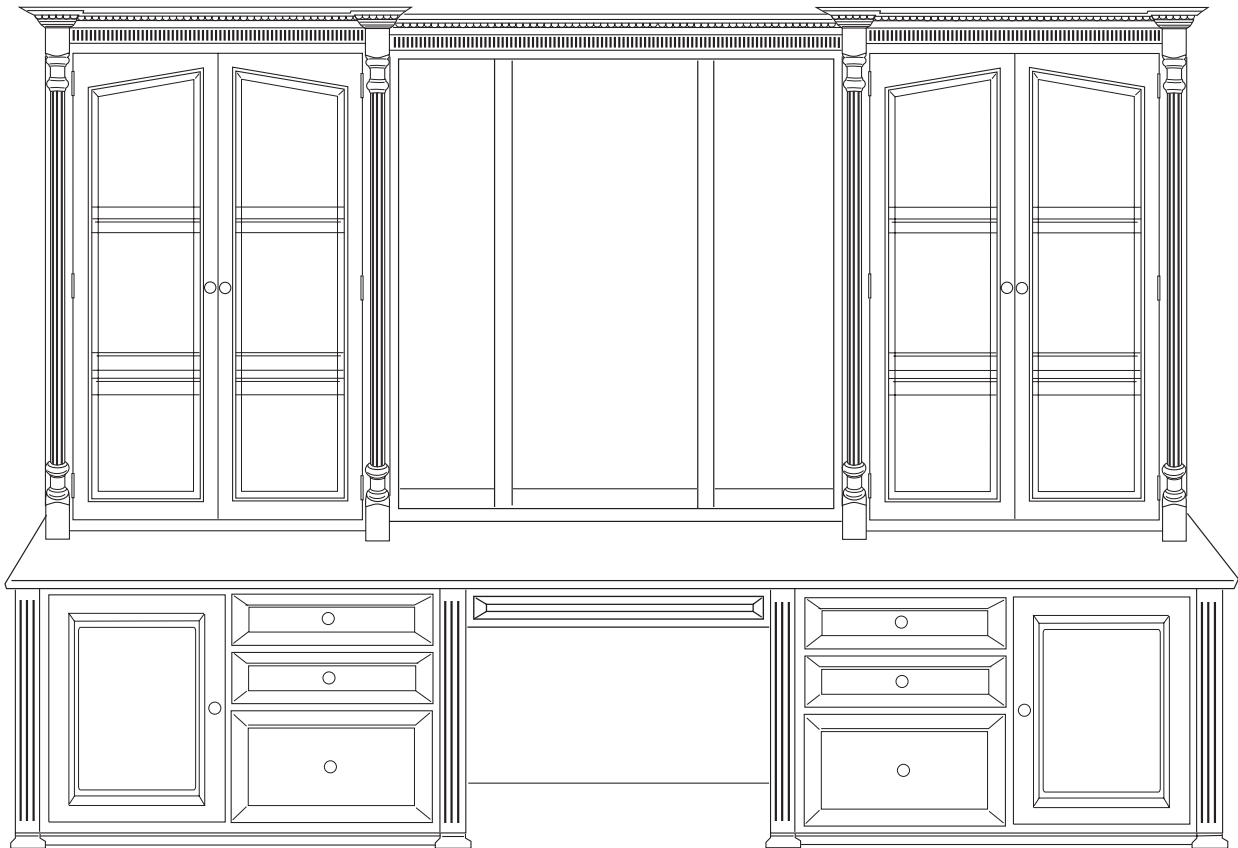
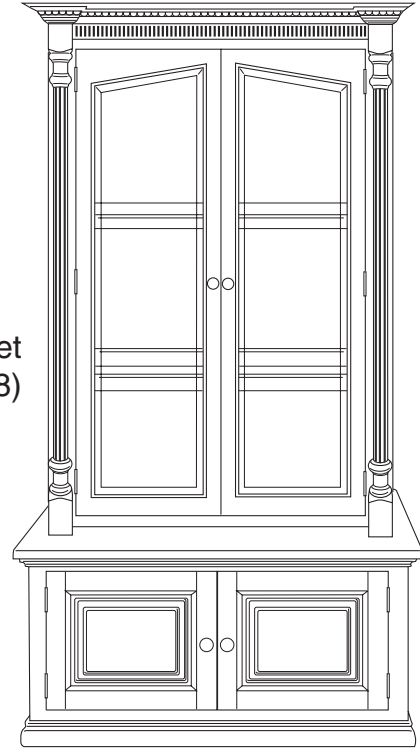


Installation Instruction Manual

GunSafe Cabinet
(pages 1-8)

Seller assumes no obligation for failure of an architect, installer or home owner to comply with all applicable law ordinances, building codes and safety requirements.



GunSafe Deluxe Cabinet (pages 9-13)

To our Valued Customer:

Thank you for purchasing GunSafe. We are honored to have hand-created the hardwood cabinet of your choice and are certain it will provide a lifetime of enjoyment.

Your cabinet has been carefully secured for safe delivery to you. Installation is simple and straightforward if you follow these instructions. Please call us toll-free at 1-877-448-6723 if you have any concerns or need additional information.

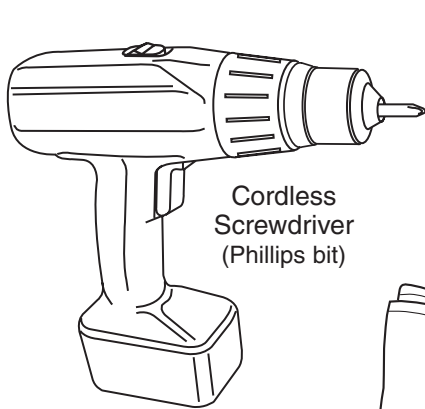
In only a short while, your cabinet will be ready to protect your firearms or other sporting collectibles. Soon, you can showcase your collection to family and friends.

We wish you all the best and once again appreciate your trust in GunSafe.

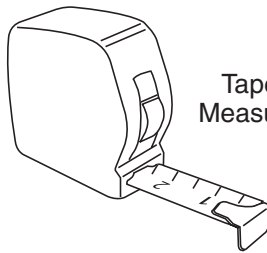
Sincerely,

William Schlabach
GunSafe founder

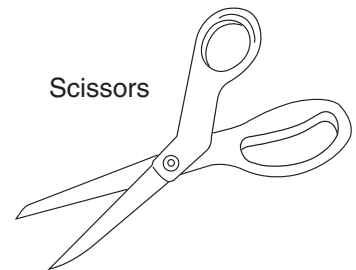
Tools Needed



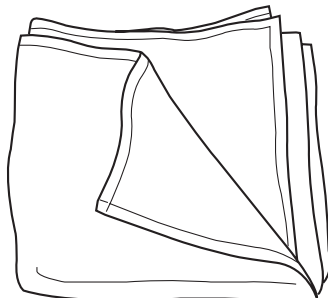
Cordless
Screwdriver
(Phillips bit)



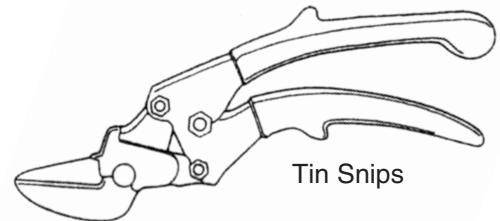
Tape
Measure



Scissors

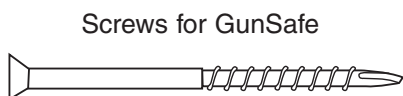


Furniture
Pad



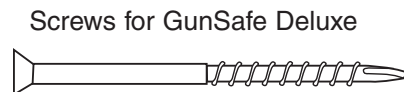
Tin Snips

Hardware (provided)



Screws for GunSafe

6 – #8 x 1³/₄"

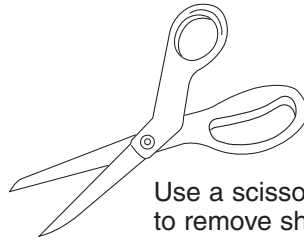
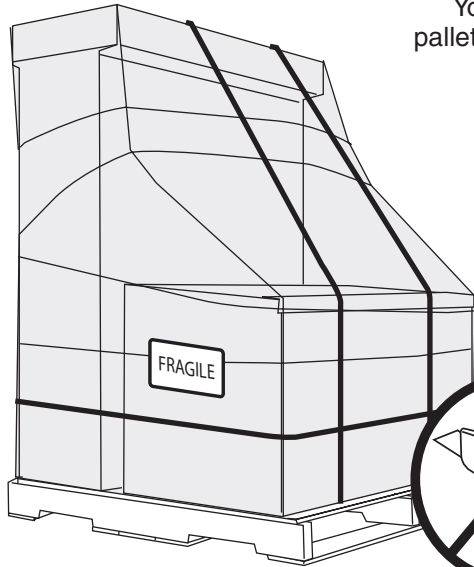


Screws for GunSafe Deluxe

6 – #8 x 1³/₄"
26 – #8 x 1¹/₂"
24 – #8 x 1¹/₄"

Step 1

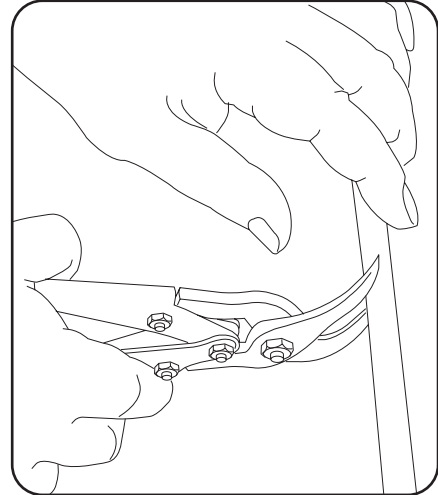
Your GunSafe cabinet will arrive on a pallet containing two shrink-wrapped boxes.



Use a scissors to remove shrink wrap, plastic and tape.



Do Not use knife.



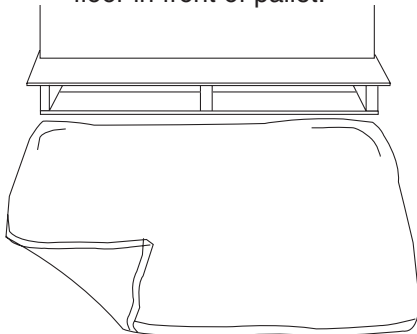
Use a tin snips to cut plastic bands.

NOTE

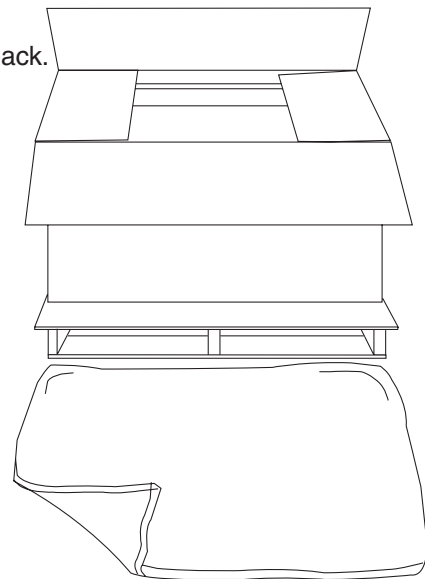
It is necessary for 2 or more people to set up your GunSafe.

Step 2

Place furniture pad on floor in front of pallet.



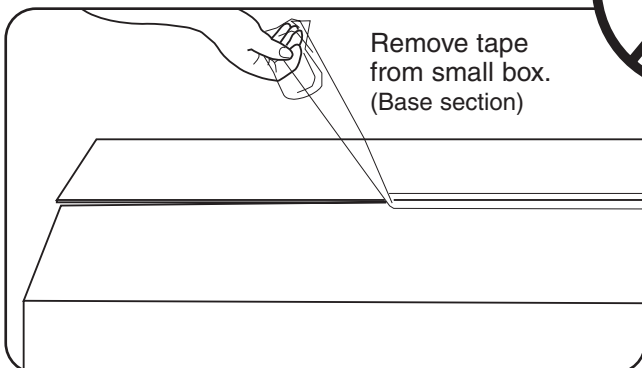
Fold all 4-flaps back.



Do Not use knife.



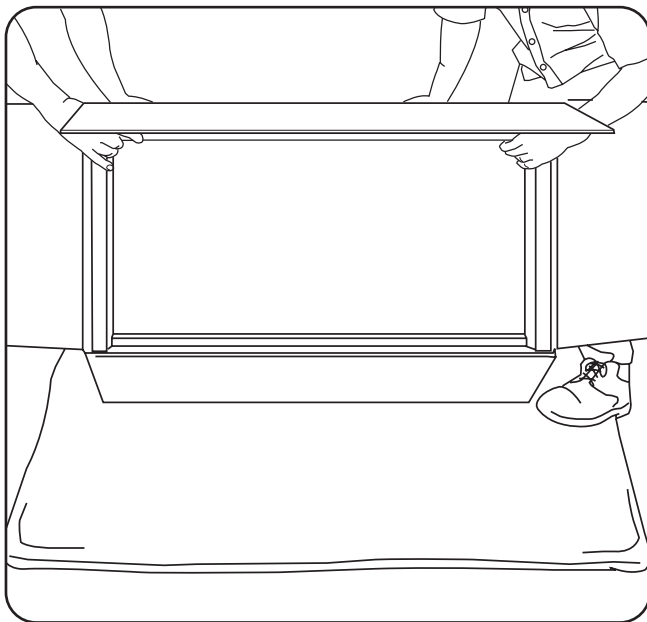
Remove tape from small box. (Base section)



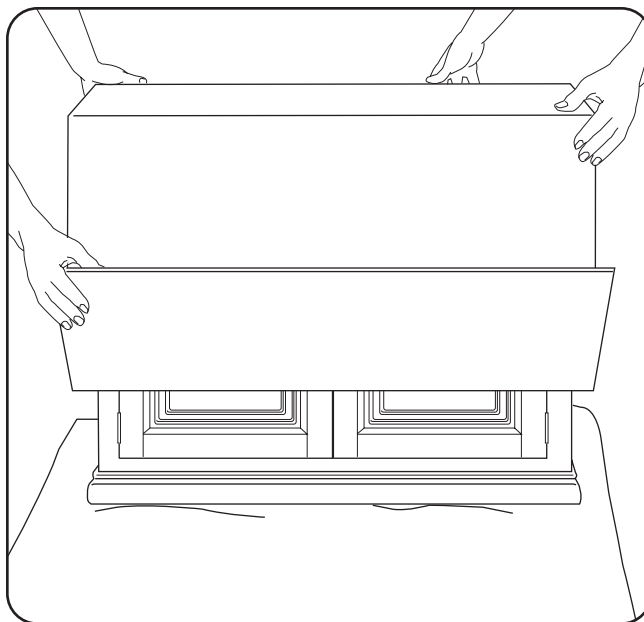
NOTE

Base is shipped upside down.

Step 3

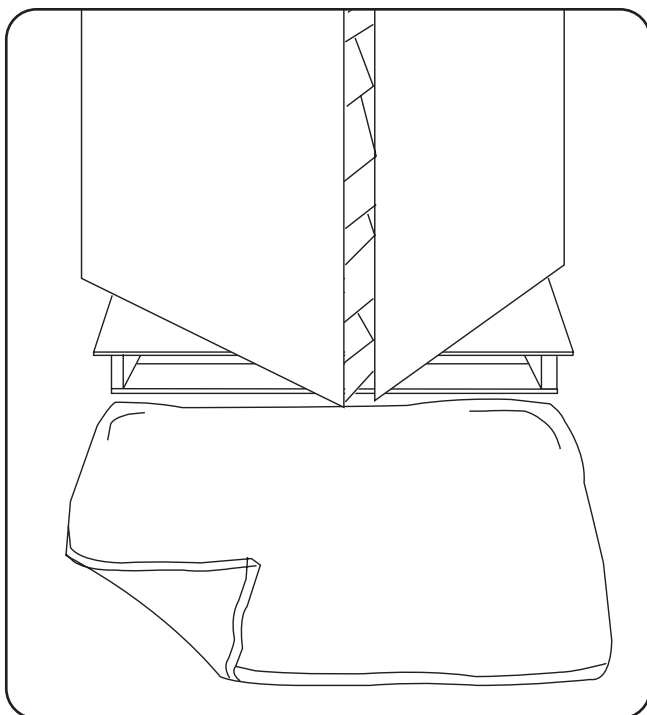


Gently roll base section forward from pallet onto furniture pad. Keep flaps folded back.

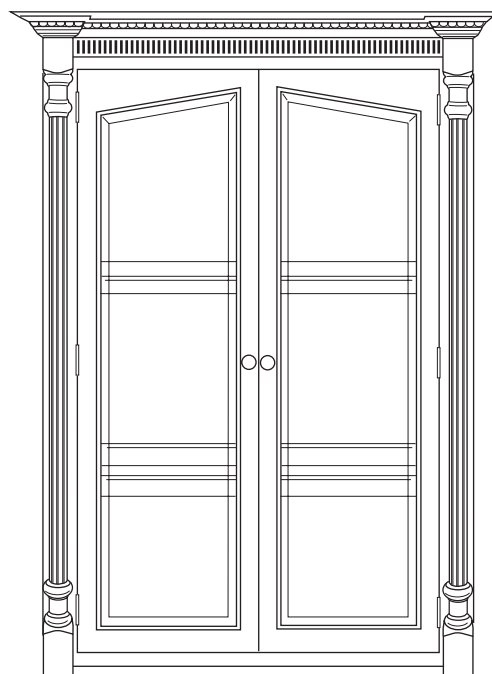


Lift box from base section.

Step 4



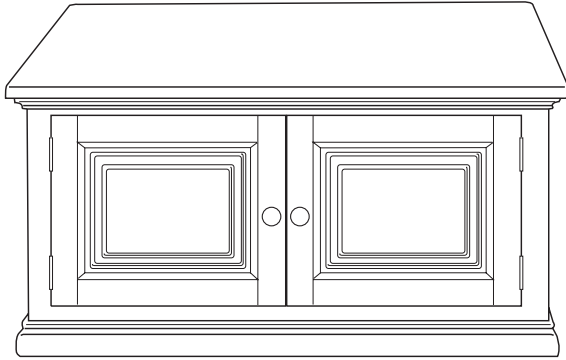
Remove all packing materials from cabinet.



Positioning the Top Section

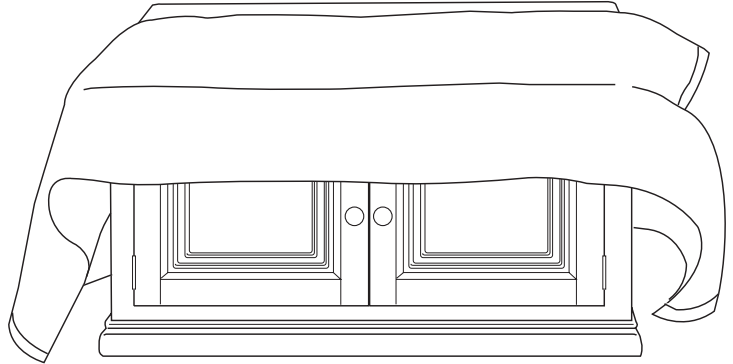
Step 5

Place GunSafe base section approximately 6" forward from wall where GunSafe display will be placed.



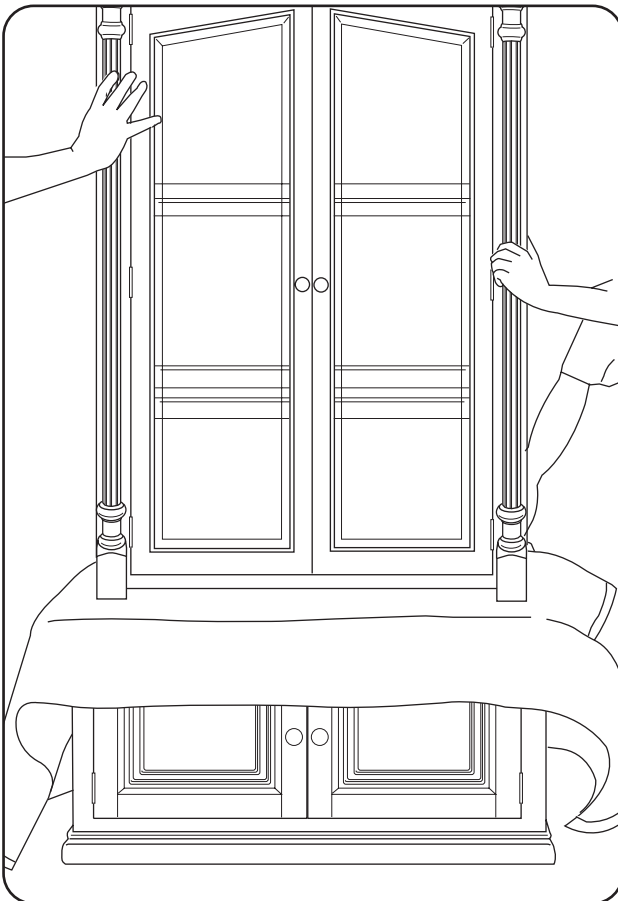
NOTE

Place near electrical outlet for light kit.



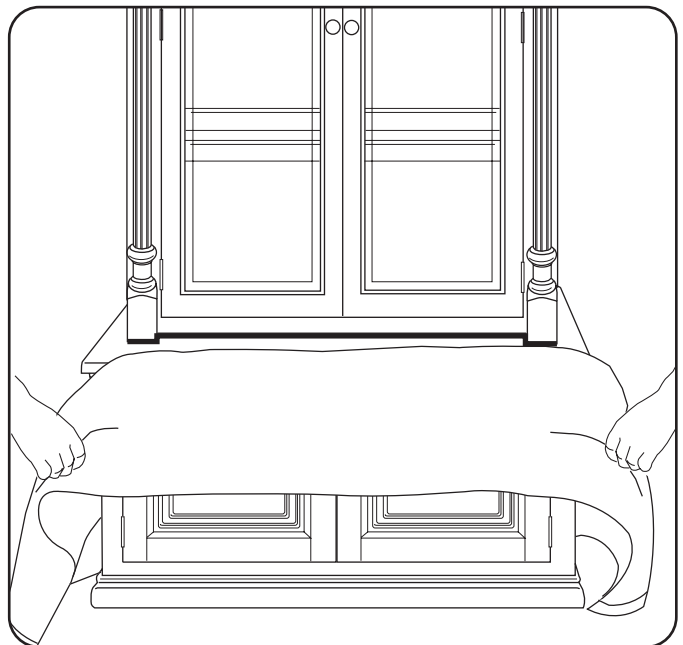
To prevent scratches, drape furniture pad on top of base section approximately 4" forward from back side in center of base section.

Step 6



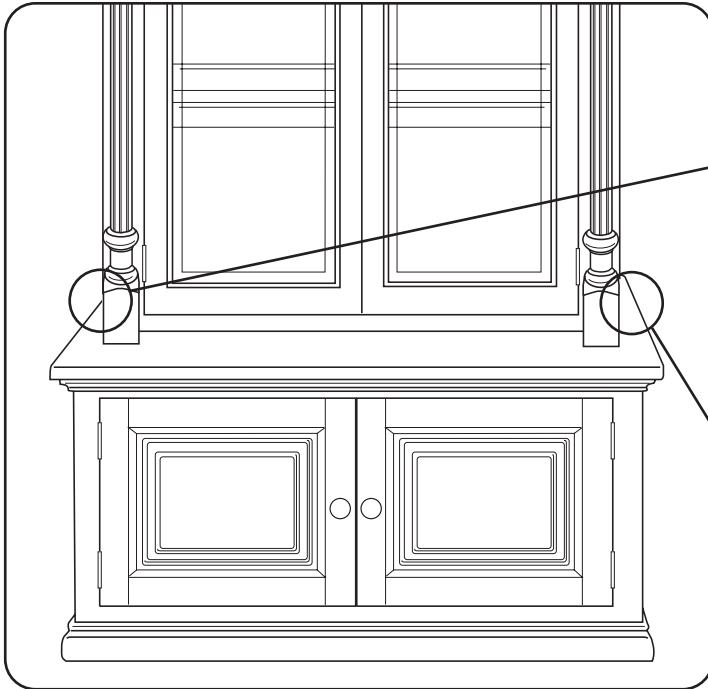
Place top section on base.
Line up flush in back and
center left to right.

While steadying top section,
tilt back and remove furniture pad.

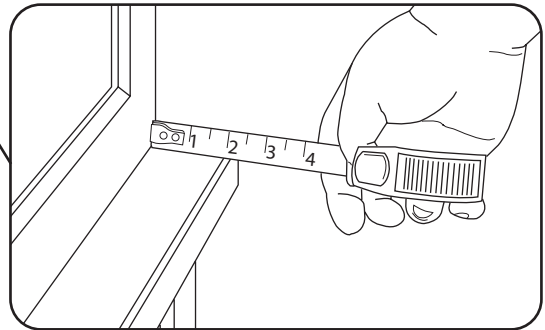
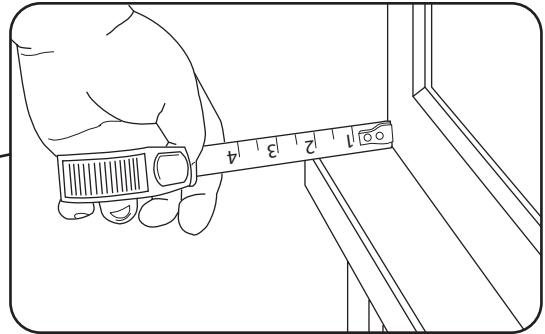


Align and Attach the Top Section

Step 7



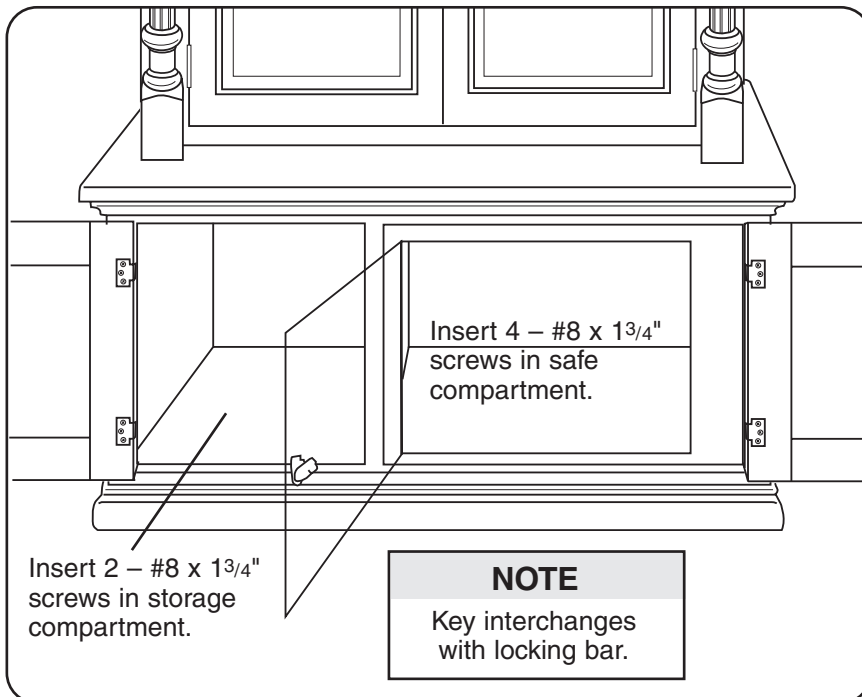
Flush the back of the top section and the base section.



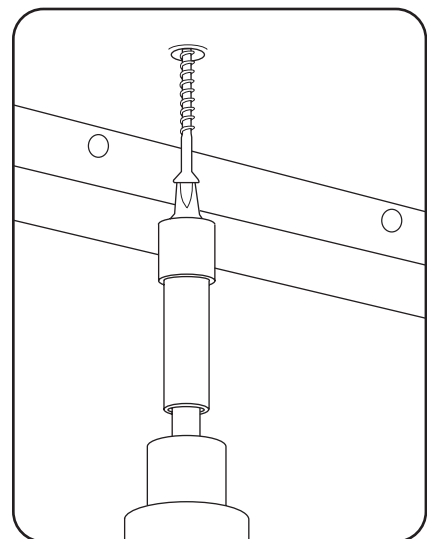
Measure left and right sides of cabinet. Center top section on base.

Step 8

Unlock safe door. Attach top section to base.



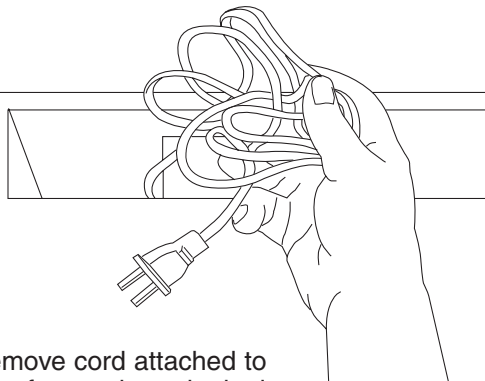
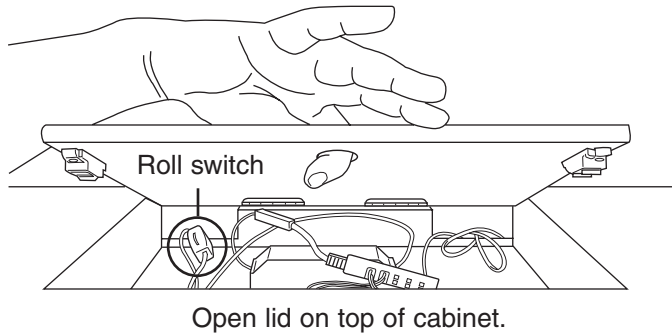
Use pre-drilled holes.



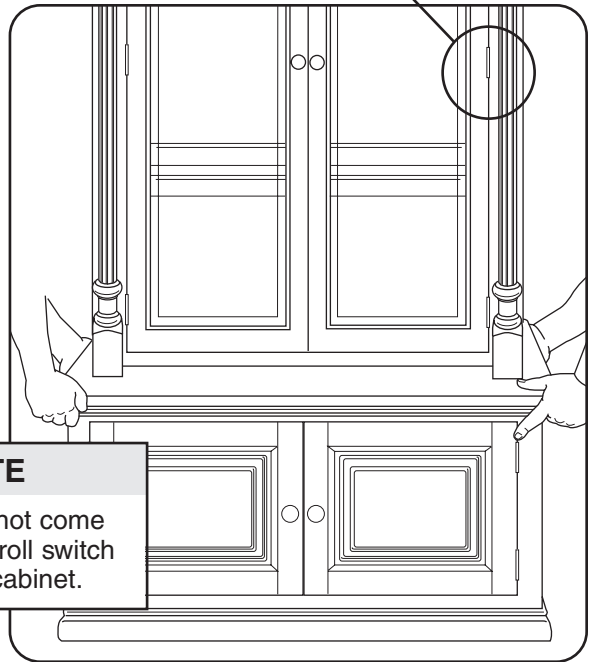
NOTE
If drawers are selected, see page 8 for removal.

Plug in the Lights

Step 9



Touch center right hinge to activate light. Touch repeatedly for 3-levels of brightness and Off.

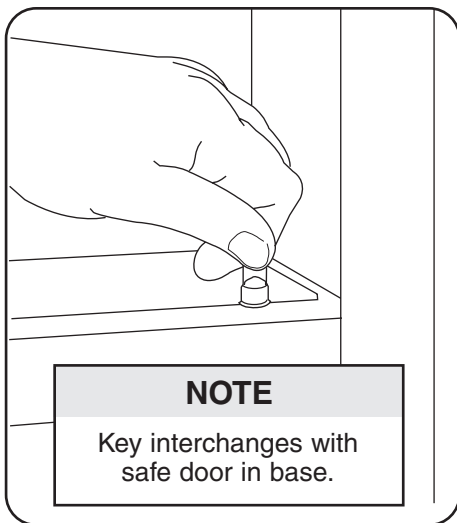


NOTE
If lights do not come on, activate roll switch in top of cabinet.

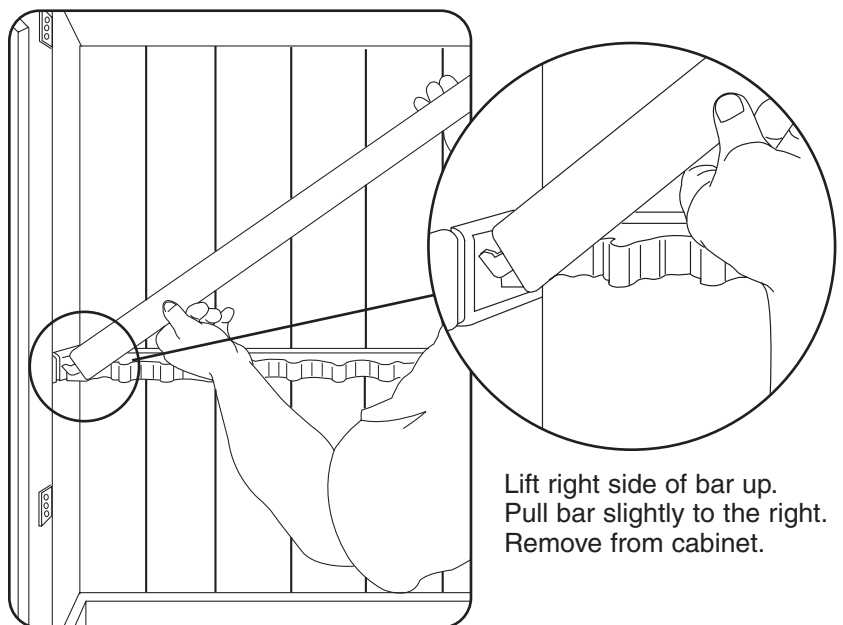
Lift and slide cabinet back against the wall. Do not scratch floor. Do not smash plug in if lights are plugged in directly behind cabinet.

Remove Locking Bar

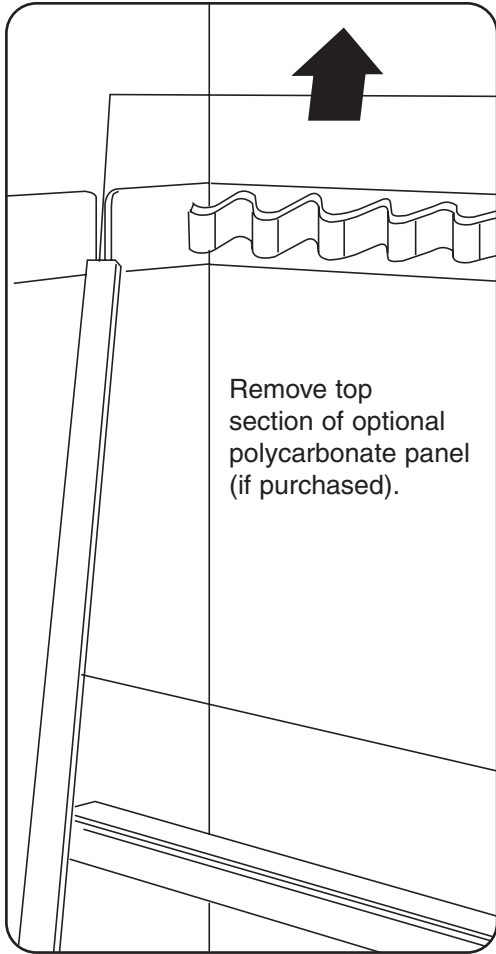
Step 10



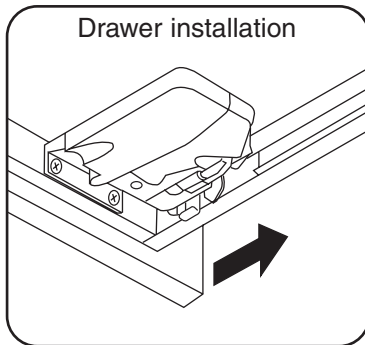
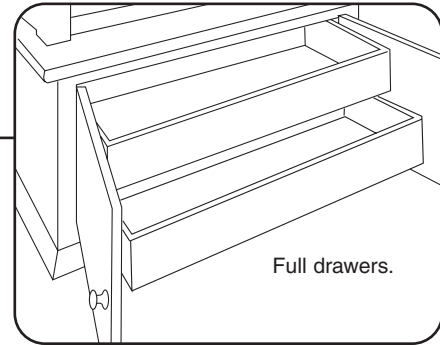
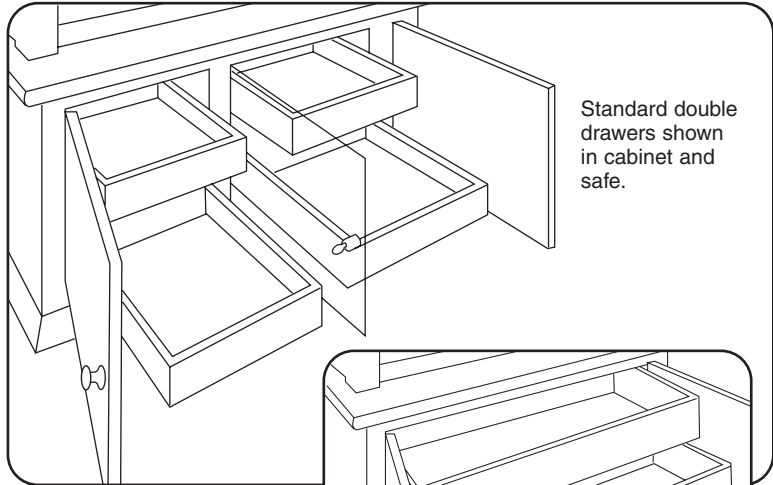
Unlock with key provided.



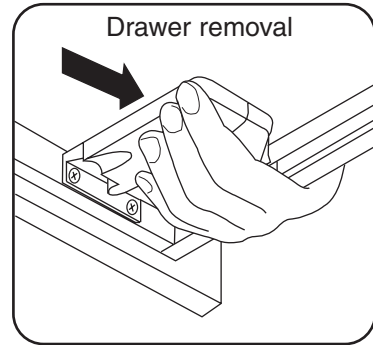
Step 11



You are now ready to put your guns into your GunSafe cabinet.



Place drawer on runners and close. Locking devices will automatically engage runners.



Squeeze orange handles on locking devices in front on bottom side of cabinet. Pull drawer out and up.

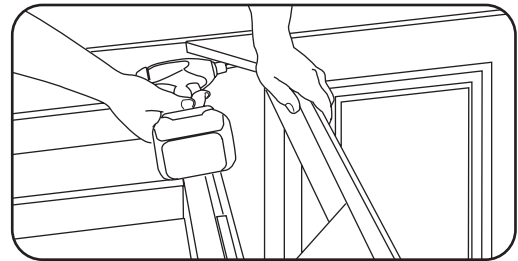
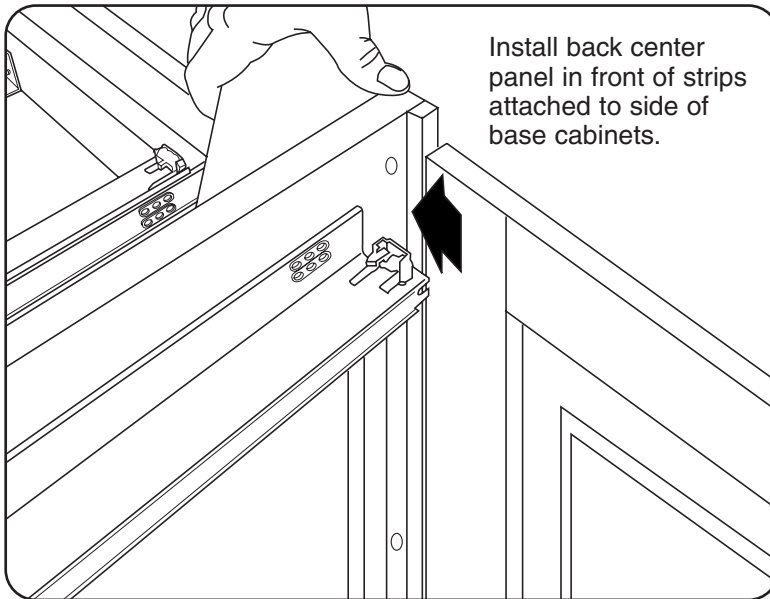
Step 1

Refer to GunSafe unpacking instructions steps 1-4.

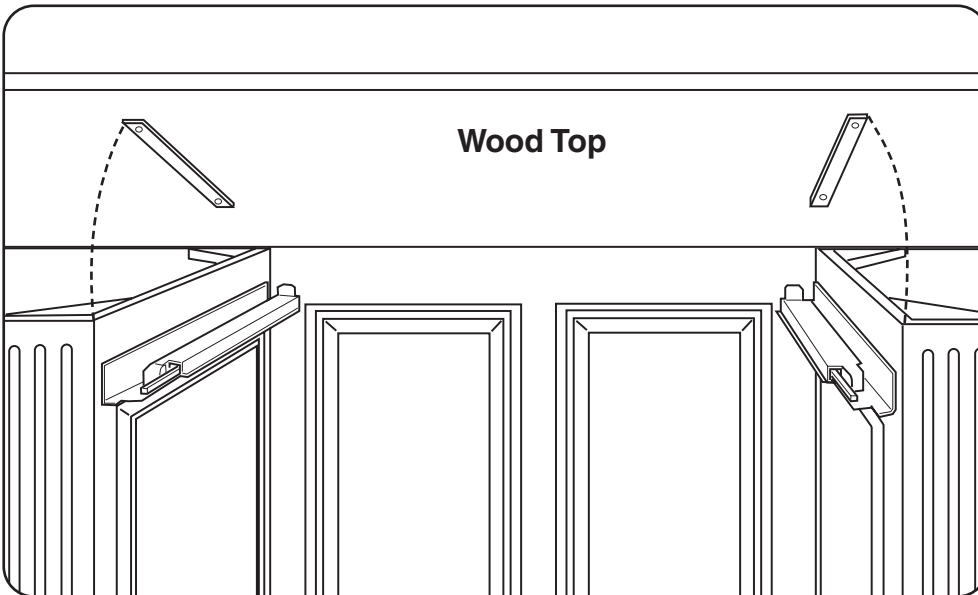
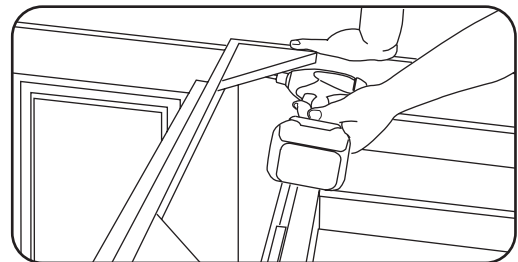
- Do Not cut with knife.
- Use scissors to remove shrink wrap.
- Use snips to remove banding.
- Unpack your GunSafe Deluxe cabinet.
- Remove all packing materials.
- Remove drawers from base cabinet. (Refer to step 10 instructions on page 13)

Install Back Center Panel

Step 2



Attach with #8 x 1 1/2" screws in pre-drilled holes.

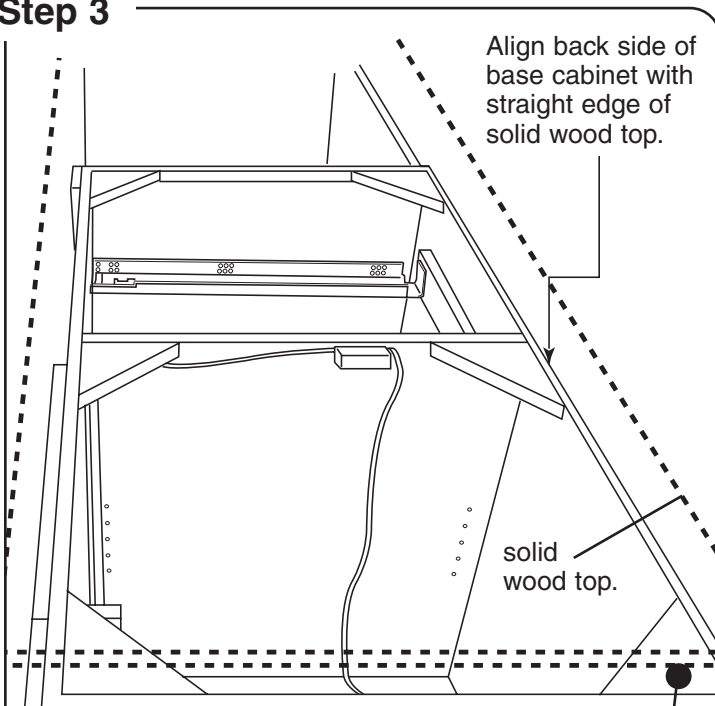


Install wood top on base cabinets. Align strips on underside of wood top with edge of base cabinet.

NOTE

Accurate alignment is necessary for counter drawer to work properly.

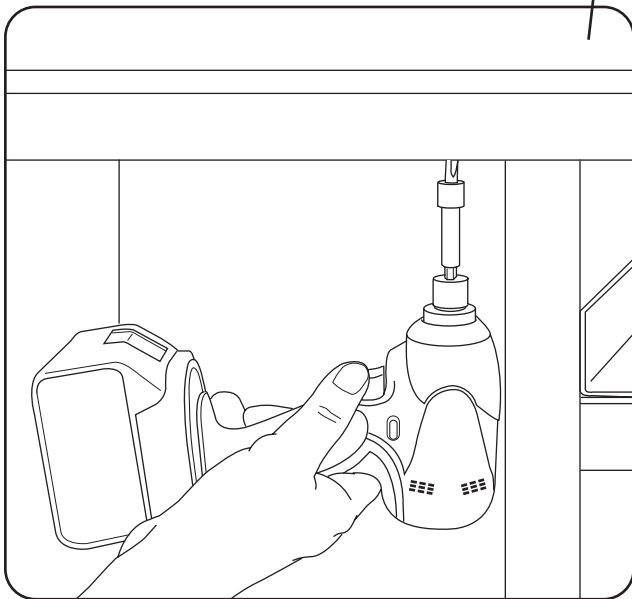
Step 3



Align back side of base cabinet with straight edge of solid wood top.

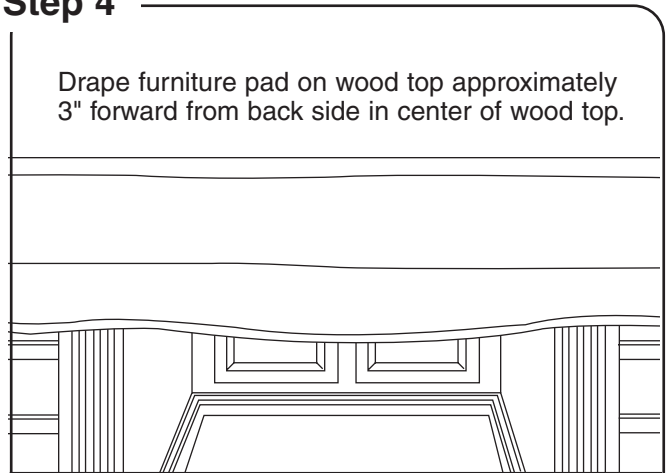
solid wood top.

NOTE
Measure both ends and make certain top is centered.

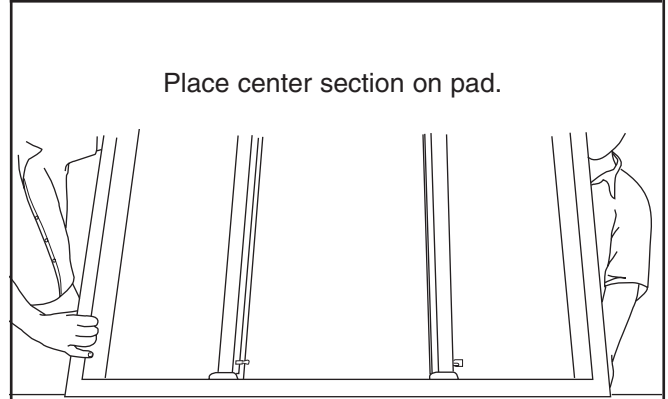


Attach wood top from the bottom in pre-drilled holes with 24 – #8 x 1 1/4" screws. 2 – per corner block.

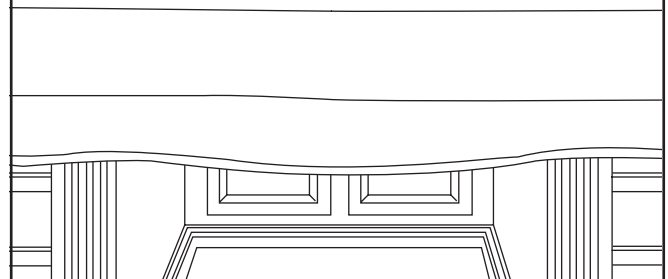
Step 4



Drape furniture pad on wood top approximately 3" forward from back side in center of wood top.



Place center section on pad.



Hold cabinet steady with one hand towards top. Tilt back and remove furniture pad.



Step 5

Measure center section left and right side. Place in center and flush in back.

Install 1 - #8 x 1 1/2" screw in each end from bottom up.

Step 6

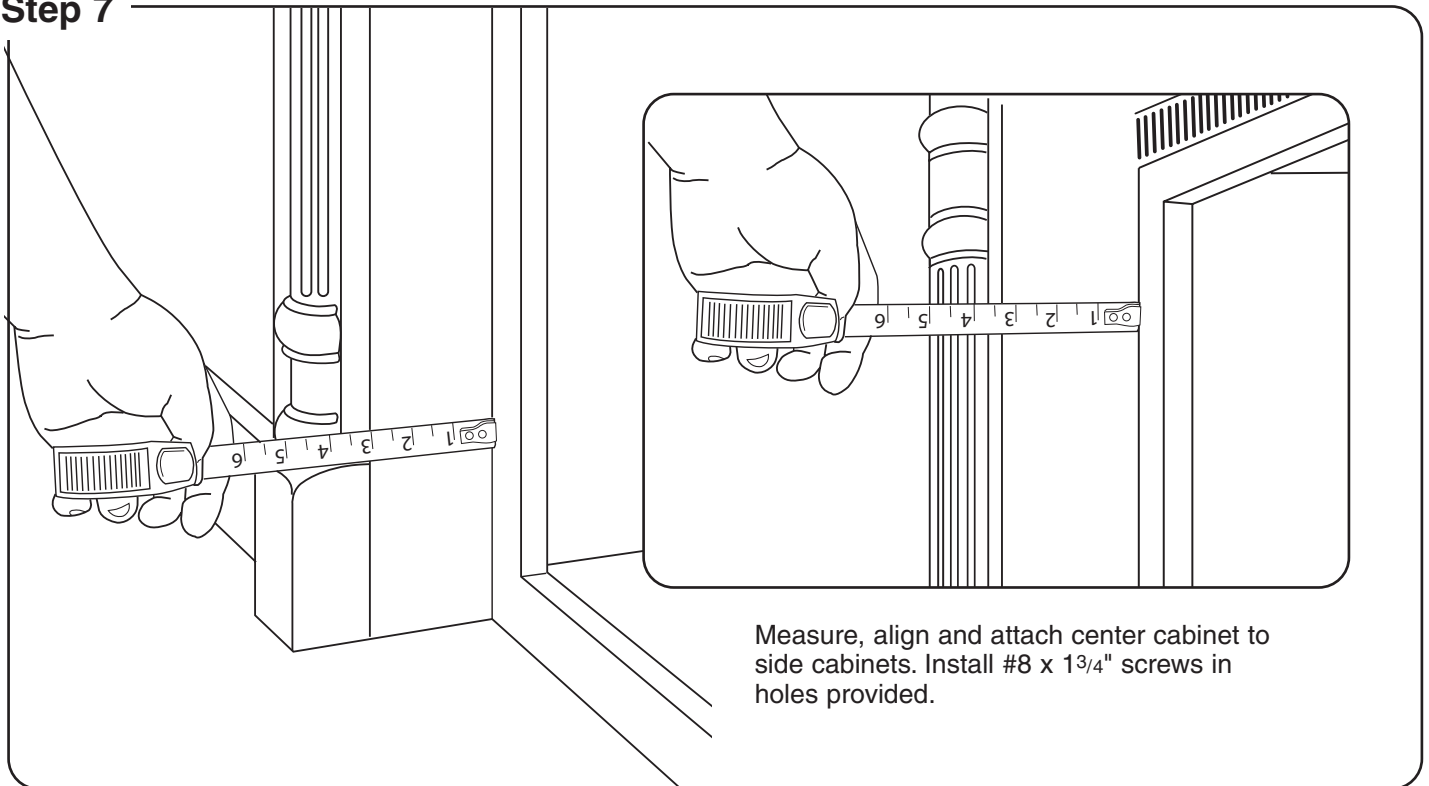
Place furniture pad on left side. Hold forward 3" from back.

NOTE
Raised panel ends should be on outside.

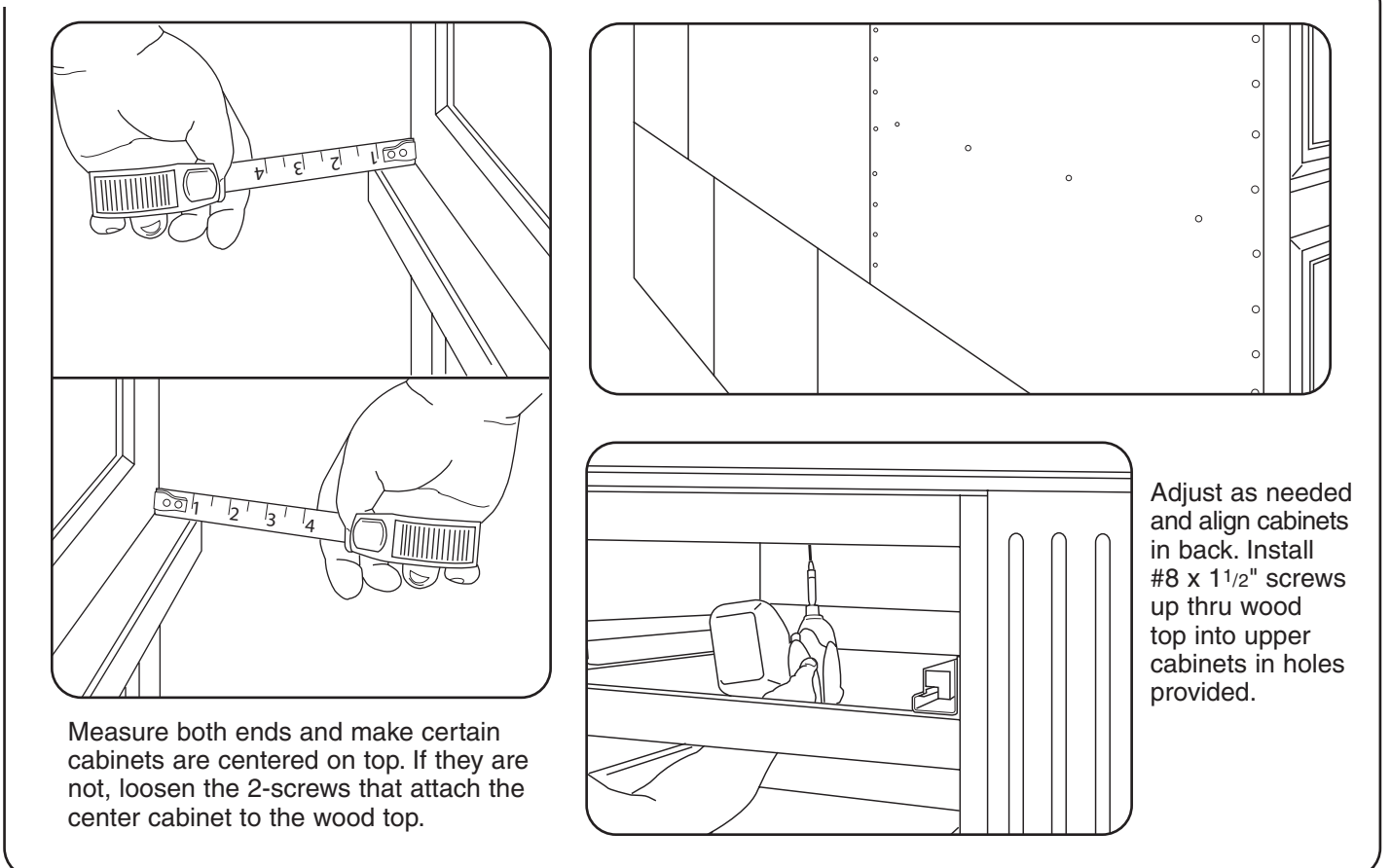
Place left end cabinet on pad and align flush back and firmly against center cabinet. Steady cabinet with 2-hands. Tilt back and remove blanket. Repeat for right side.

Make certain that the end cabinets are still firmly against center cabinet and flush in back. Install 1 - #8 x 1 3/4" screw on each side in bottom pre-drilled holes.

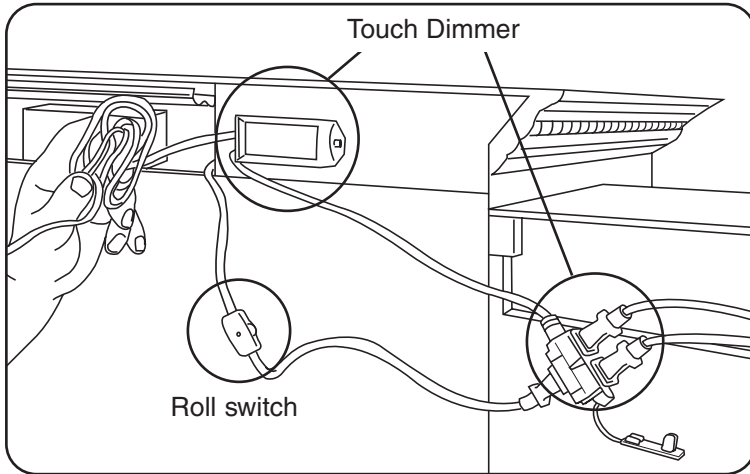
Step 7



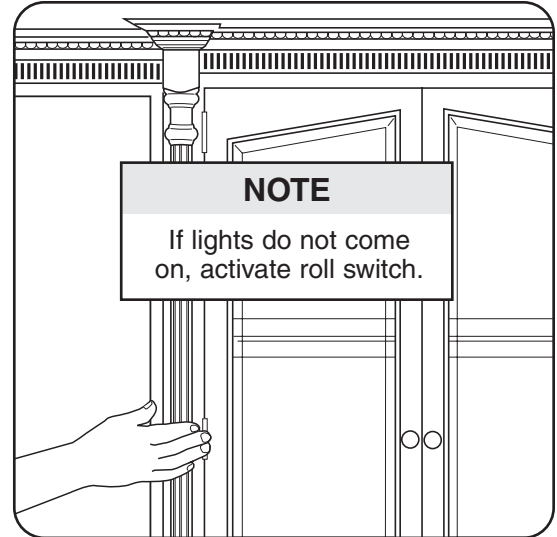
Step 8



Step 9



Left and center upper cabinet cords plug into Touch Dimmer mounted on back of right upper cabinet. Touch Dimmer plugs into wall outlet. Plug in lights from base cabinet. (optional feature)



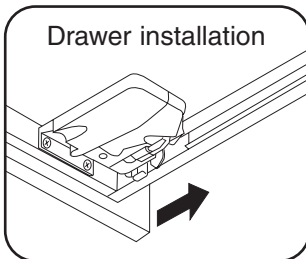
NOTE
If lights do not come on, activate roll switch.

Touch left center hinge on upper right cabinet to activate lights.

You are now ready to move cabinet back against wall. Lift up slightly and put a furniture pad or rug under each corner of base cabinets. Do not slide before padded as this may scratch the floor.

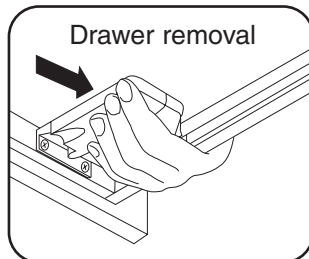
Drawer Removal and Installation

Step 10



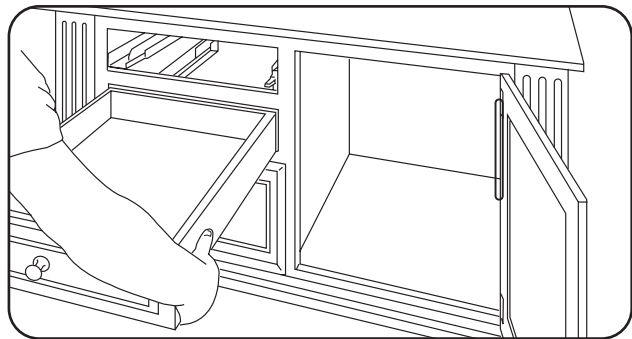
Drawer installation

Place drawer on runners and close. Locking devices will automatically engage runners.

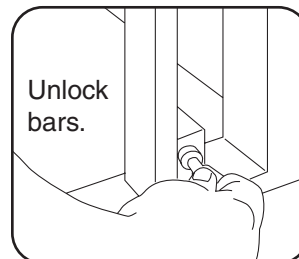


Drawer removal

Squeeze orange handles on locking devices in front on bottom side of cabinet. Pull drawer out and up.

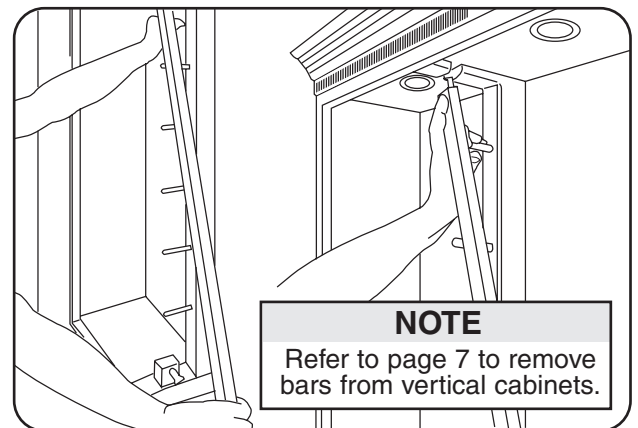


Step 11



Unlock bars.

Grasp bar firmly with 2 hands and swing bottom to right. Bar will release at top. Repeat for 2nd bar. **You are now ready to put guns in your cabinet.** Reverse procedure to install bars.



NOTE
Refer to page 7 to remove bars from vertical cabinets.

From the Desk of William Schlabach, GunSafe founder...

In addition to hand-crafted GunSafe cabinets, our parent company, Wedge Woodworking, builds custom hardwood cabinetry for a wide range of enjoyment.

For example, our newest division, Meadow Brook Cabinetry, can help define your home with custom elegance. Our beautiful hardwood creations include kitchen islands and wall cabinets, dining room hutches and tables, fireplace mantels, entertainment centers, bathroom vanities, bookcases for office or den, wet bars for recreation and family room, and much more.

We would be pleased to send a a Meadow Brook Cabinetry brochure, and are always available to answer questions and provide quotations for specialized requests.

We put the “custom” in custom cabinetry. Please call anytime, tollfree at 1-877-612-7665.

Sincerely,
William Schlabach

*Protecting An Investment
Showcasing Your Collection*

GunSafe™

Designed and
Manufactured by:

GunSafe™

160 E CR 240 N
Arthur, IL 61911
Tel: 877-448-6723