

# Pressure Sensor

P/N: CMP-PS-2000R

## Specifications

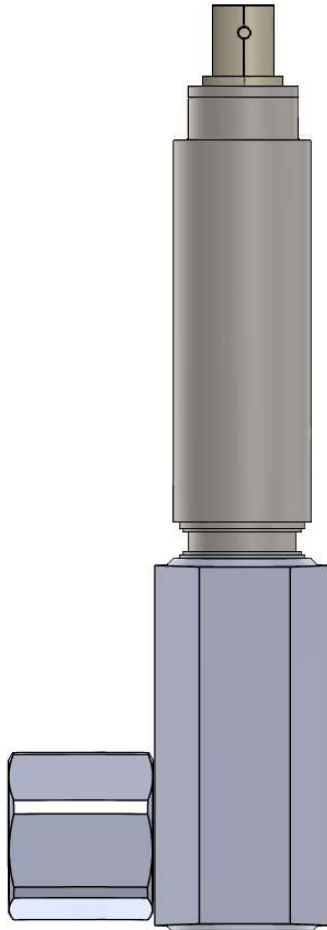


Image for reference only  
(Right Connector)

<b>Application</b>	Portable Measurement
<b>Power Input</b>	9 – 28 Vdc
<b>Size</b>	6 x 2.75 inch
<b>Weight</b>	1 lb
<b>Pressure Range</b>	0 -2000 Psi
<b>Output Signal</b>	4 – 20 mA
<b>Response Time</b>	< 1ms
<b>Accuracy</b>	≤ ± 0.25 % FS
<b>Material</b>	Stainless Steel 316L
<b>Electrical Connector</b>	MIL C26482, 10-6
<b>Operating Temperature</b>	-40°F to 450°F (-40°C to 232°C) **
<b>Pressure Connector</b>	1 1/16"-10 Whitworth
<b>Hazardous Area Rating</b>	SEV 09 ATEX 0108 X EEx 1G ia IIC T3 - T6 FM/FM-C, Class 1, Div. 1 approved IEC/Ex SEV 10.003
<b>Certifications &amp; Approvals</b>	FM 3028239 FM3028239C IEC Ex SEV 10.0003

\*\* Ask us for more information



## Part Number

**Stock Product** COMP-PS-2000R

**Build to Order** COMP-PS-X\*R

\*X = Options: 300, 500, 1000, 2000, 3000, 5000 (Psi)  
R = Right Connector

2023, Resonance Systems. All rights reserved.

The contents of this publication are presented for informational purposes only, and while diligent efforts have been made to ensure their accuracy, they should not be considered as warranties or guarantees, express or implied, regarding the products or services described herein or their use or applicability. All sales are governed by our terms and conditions, which are available on request. We reserve the right to modify or improve the designs or specifications of our products at any time without notice.

**Resonance Systems**  
8609 Kingston Pike  
Ste 201  
Knoxville, TN 37923 USA  
+1-865-248-24