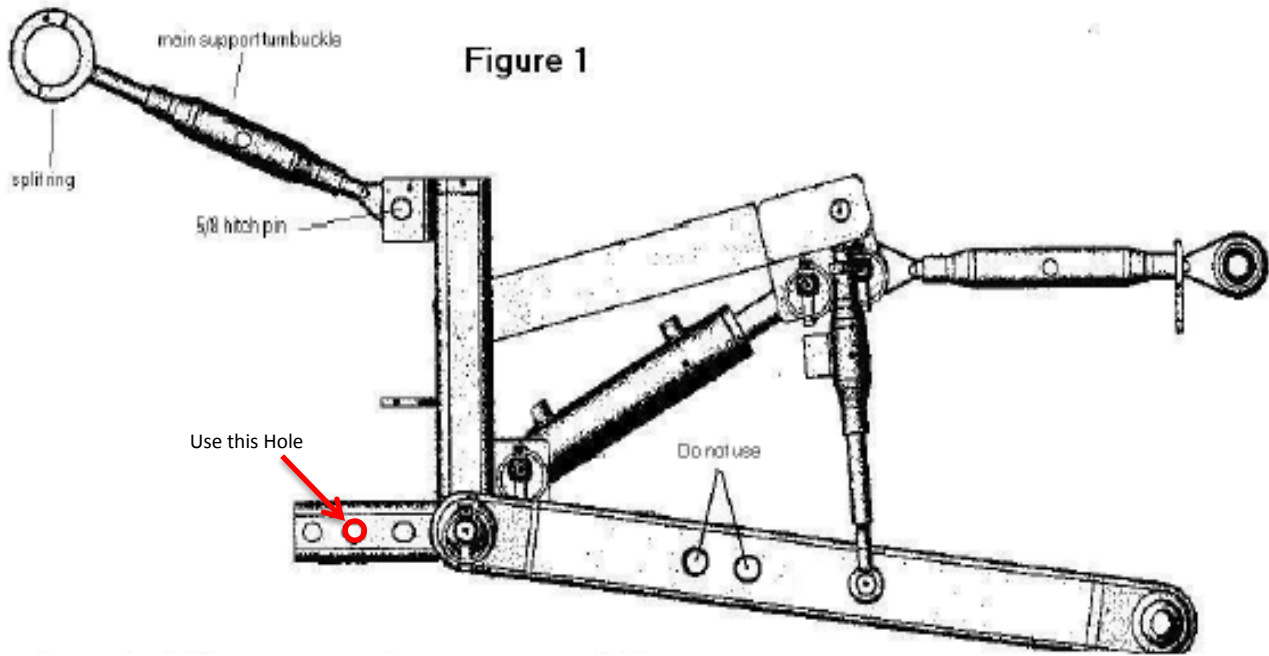


## UTV Hitchworks – Installation Instructions, Farmboy

---



### Rear Installation

- 1) Raise dump bed
- 2) Remove exhaust heat shield (says HOT) if mounting to a Kubota RTV 900. If not, skip to step 3
- 3) Insert hitch fully into receiver and insert pin into second hole.
- 4) Attach split clamps to frame (figure 2, page 2). Leave main support turnbuckles attached to split clamps with the provided pins when installing the split clamps. Be sure not to tighten fully yet.
- 5) Attach main support turnbuckles to hitch with 5/8" pins provided.
- 6) Tighten split ring evenly. Be careful not to tighten one side more than the other. Tighten to 20 foot pounds
  - Ensure that the clamp comes off of the rear frame at roughly a 45 degree angle. This angle allows for clearance of the exhaust pipe for RTV 1100s & 1140s – RTV 900 owners do not need to worry about this
- 7) Turn main support turnbuckle counterclockwise evenly until there is no side to side sway or up and down pitch. **DO NOT** tighten one turnbuckle fully before tightening the other. Make sure to tighten **evenly**.
  - If there is any sway or pitch at all, the turnbuckles must be tightened further. Also, make sure that the hitch is level when tightening
- 8) Attach hydraulic lines to dump bed ports
- 9) Replace heat shield if working with a Kubota RTV 900. Make sure that the shield lines up with the notch in the clamps

**BE SURE NOT TO RAISE THE DUMP BED ALL THE WAY UP WITH THE FARMBOY IN THE FULLY RAISED POSITION!**

For questions on installation call 513-260-3705

***UTV Hitchworks – Installation Instructions, Farmboy***

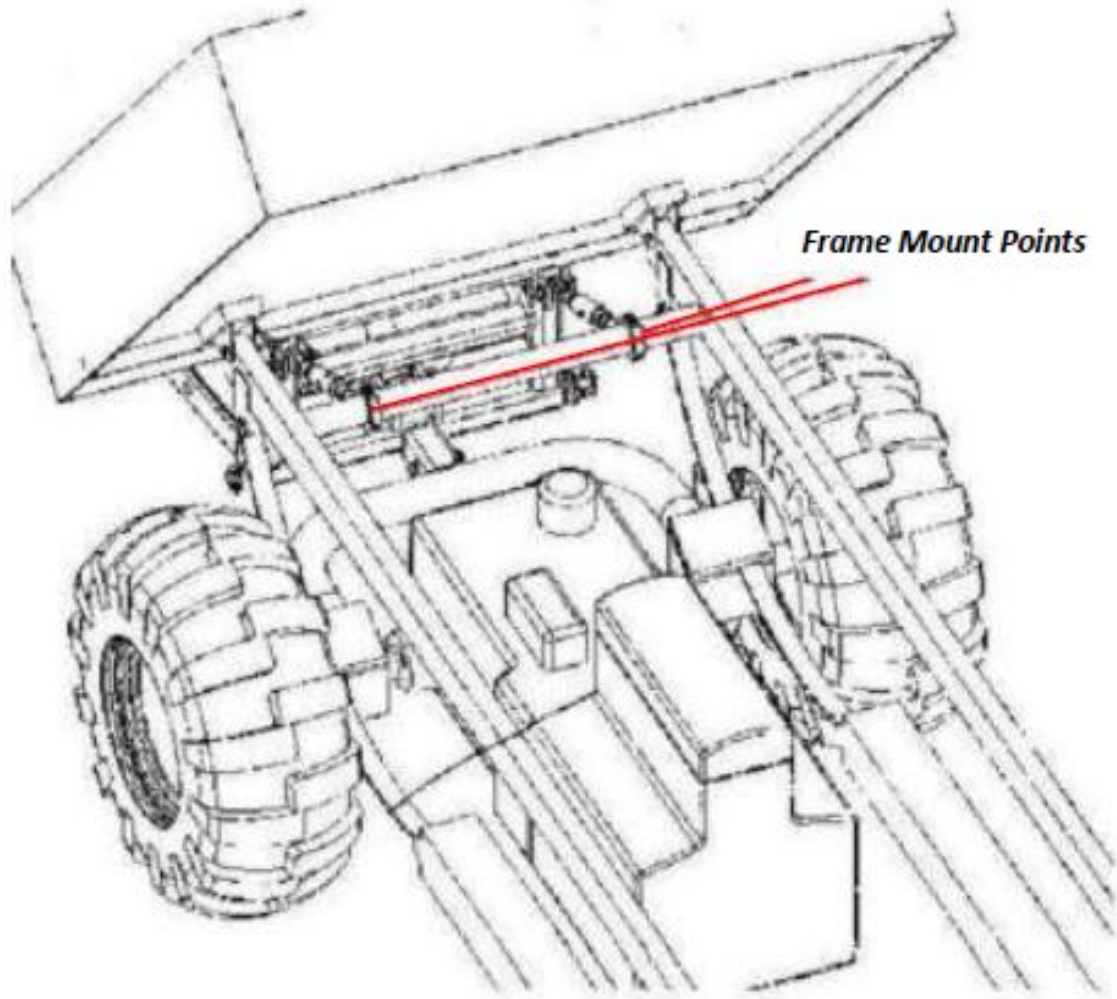


Figure 2