



TITAN MK 10X

BALLISTIC PANELS

BALLISTIC PANEL CONCEPTS

01

Ballistic Shelter

02

Modular T-Wall

03

T-Wall Assembled

04

Permanent Perimeter Wall

05

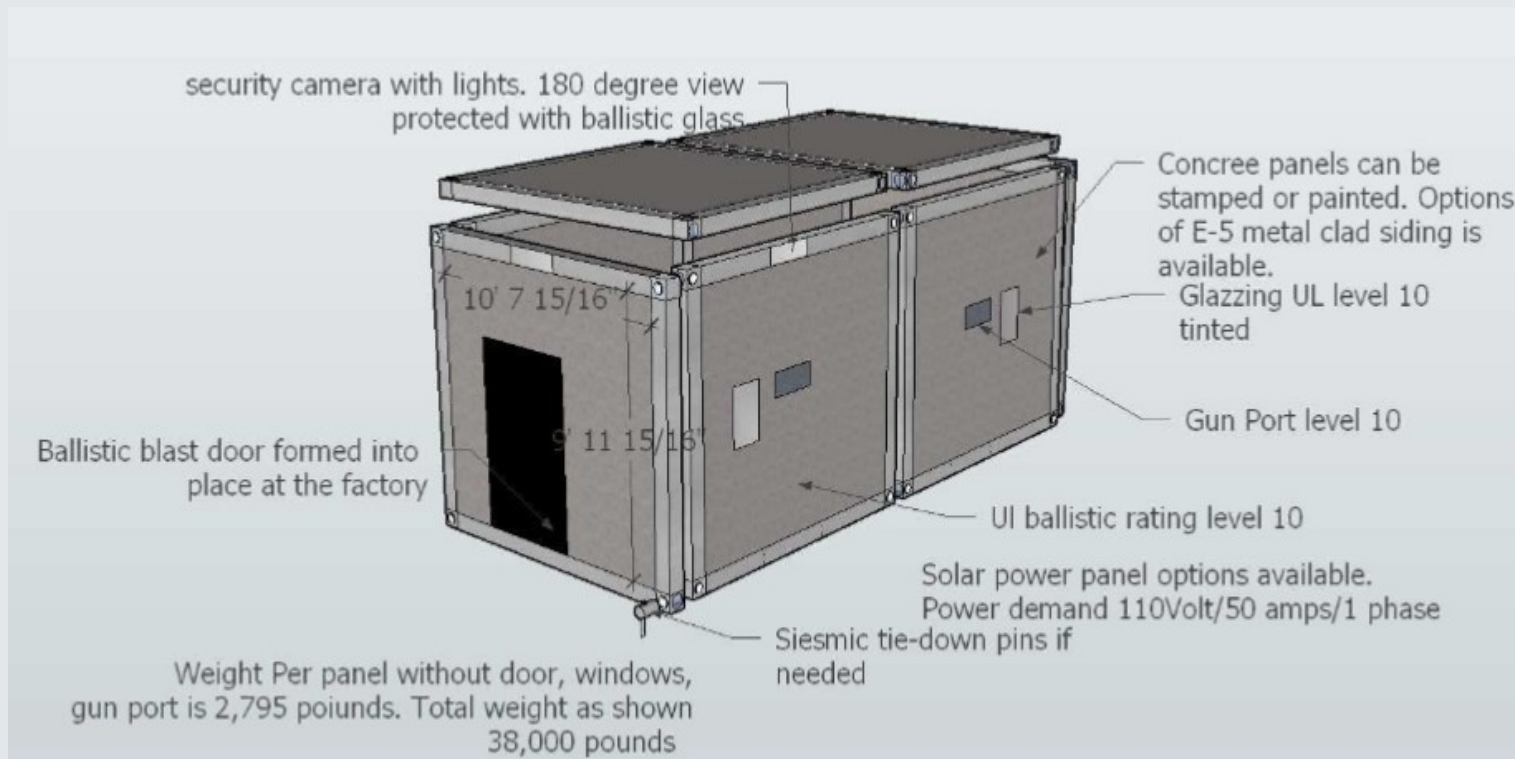
Tilt-Up Perimeter Wall

06

Bomb Shelter

BALLISTIC SHELTER — RE-DEPLOYABLE

ASSEMBLED UNIT – OPTIONED



Ballistic Shelter

Portable & Re-Deployable

◆ PRODUCT OVERVIEW

A fully self-contained protective structure built from Titan MK 10X concrete ballistic panels, rated to UL Level 10. Factory-formed blast door, optional gun ports, and tinted Level 10 glazing suit it for guard posts, forward shelters, or safe rooms.

◆ SYSTEM SPECIFICATION

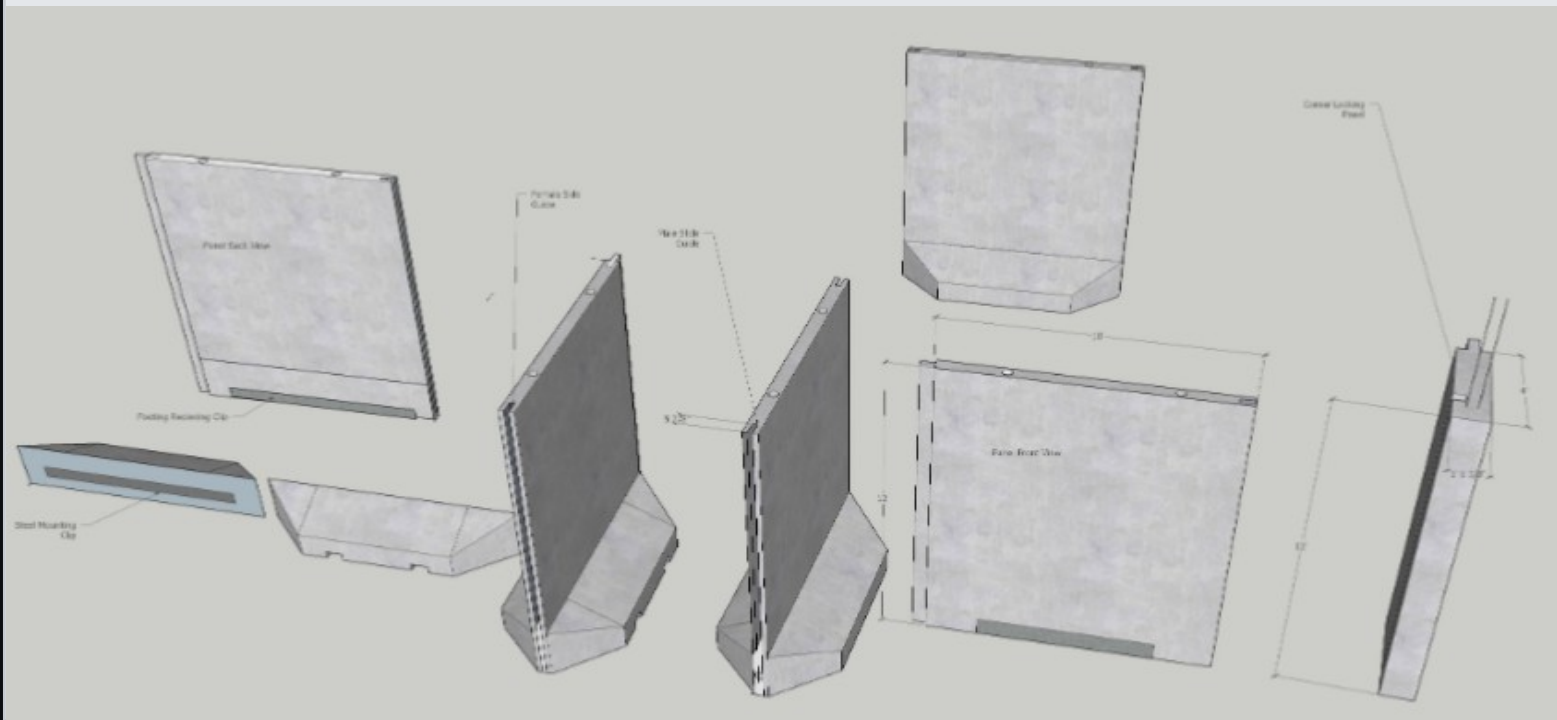
Protection	UL Level 10
Footprint	~10'7" × 9'12"
Panel Weight	2,795 lb
Total Weight	38,000 lb
Power	110V / 50A

DRAWN BY	ISSUE	REV
HEC	17 FEB 26	A1
SCALE	SIZE	
NTS	A / Land.	

TITAN MK 10X
ADVANCED BALLISTIC PANEL TECHNOLOGY

RE-DEPLOYABLE MODULAR T-WALL

EXPLODED ASSEMBLY – COMPONENTS



Modular T-Wall

Panel & Footing Assembly

◆ PRODUCT OVERVIEW

A re-deployable modular barrier for rapid perimeter and asset protection. Panels interlock via machined male/female side guides and seat into an integrated footing receiving clip — no poured foundation. Corner locking panels close the enclosure.

◆ SYSTEM SPECIFICATION

Protection	UL Level 10
Panel Size	10' × 12'
Type	Re-Deployable
Footing	Integrated Clip
Locking	Male / Female

DRAWN BY	ISSUE	REV
HEC	11 MAY 26	D12
SCALE	SIZE	
NTS	A / Land.	

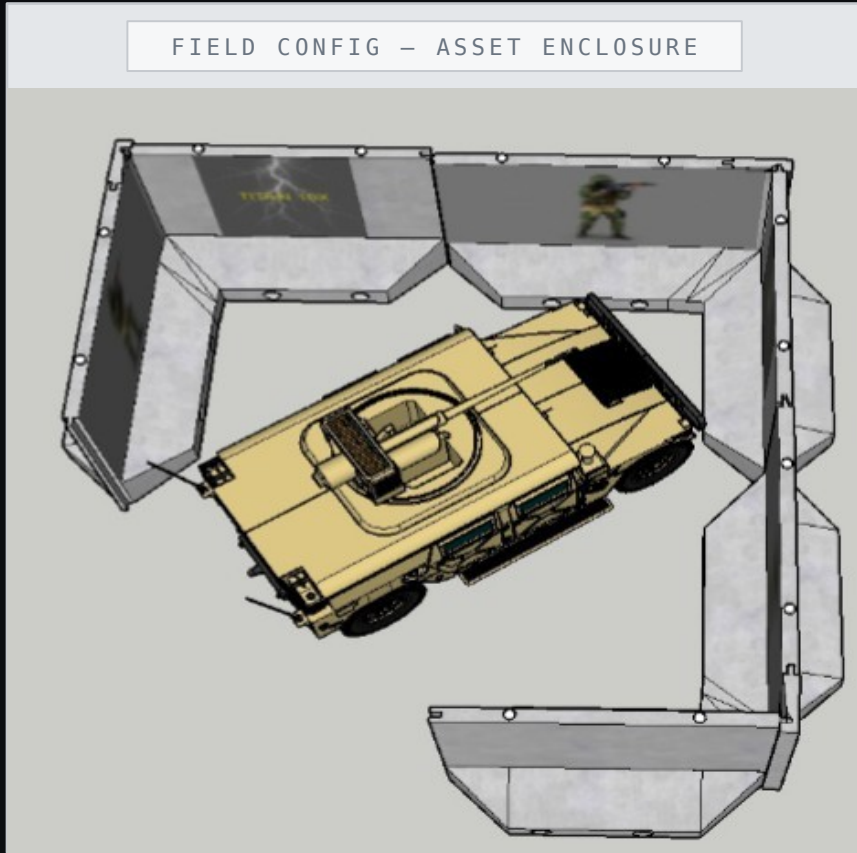
TITAN MK 10X
ADVANCED BALLISTIC PANEL TECHNOLOGY

BALLISTIC T-WALL — ASSEMBLED

CLIENT
DoD /
Military

PROJECT NO.
RCM-Titan 10X

FIELD CONFIG – ASSET ENCLOSURE



T-Wall Assembled

Vehicle & Crew Protection

◆ PRODUCT OVERVIEW

Assembled into a U-shaped protective bay, Titan T-Wall panels surround vehicles, equipment, or personnel with UL Level 10 ballistic and fragmentation defense on flank and rear approaches while preserving a forward egress lane. Re-deploys as the mission moves.

◆ SYSTEM SPECIFICATION

Protection	UL Level 10
Config	U-Shaped Bay
Application	Vehicle / Crew
Panel Size	10' × 12'
Setup	No Foundation

DRAWN BY	ISSUE	REV
HEC	28 APR 26	D7
SCALE	SIZE	
NTS	A / Land.	

TITAN MK 10X
ADVANCED BALLISTIC PANEL TECHNOLOGY



TITAN MK 10X – PERMANENT PERIMETER

MODULAR PERMANENT PERIMETER WALL

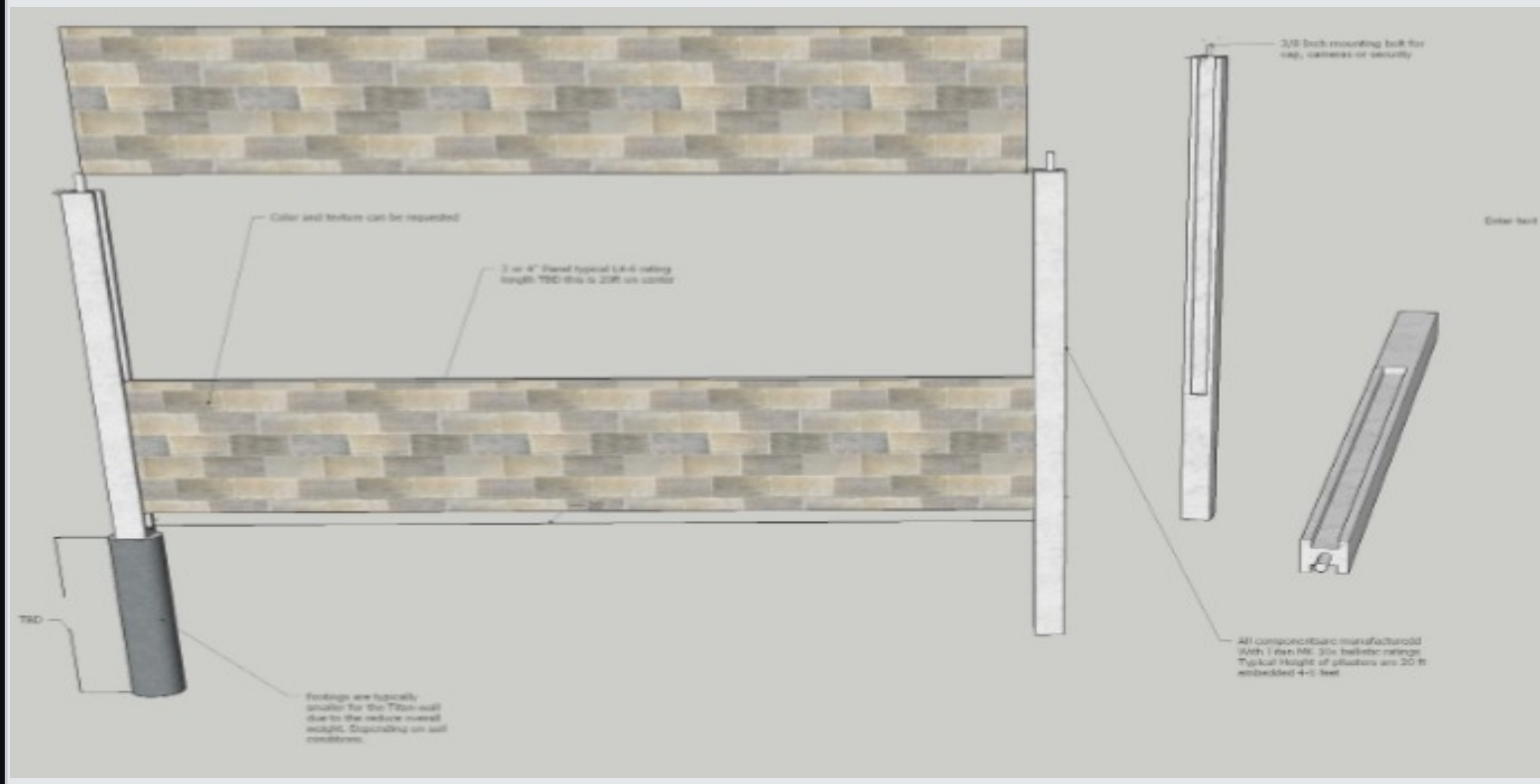
CLIENT

R/H Worldwide

PROJECT NO.

PFP 051326-1001

PILASTER & PANEL SYSTEM



Perimeter Wall

Permanent Ballistic Fence

◆ PRODUCT OVERVIEW

A permanent ballistic perimeter rated L4-6, built from 3-4" Titan panels spanning embedded pilasters on ~20 ft centers. Architectural color and texture are selectable; a 3/8" bolt rail accepts caps, cameras, and security hardware. Lighter panels allow smaller footings.

◆ SYSTEM SPECIFICATION

Protection	UL Level 4-6
Panel	3-4" Thick
Span	~20' On Center
Pilaster	Embedded 4-5'
Finish	Color / Texture

DRAWN BY

HEC

ISSUE

13 MAY 26

REV

RE-ISS

SCALE

NTS

SIZE

A / Land.

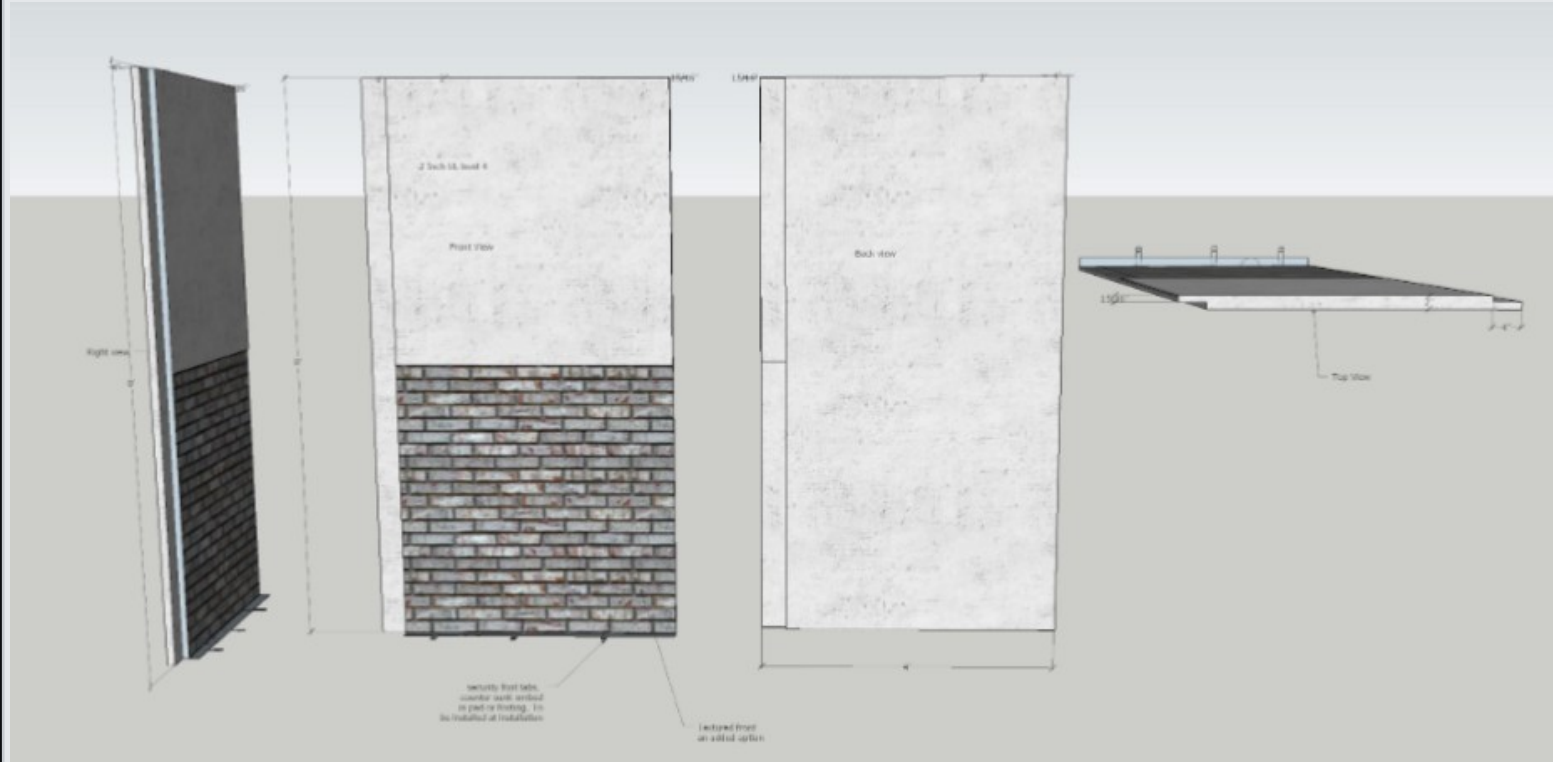


TITAN MK 10X

ADVANCED BALLISTIC PANEL TECHNOLOGY

TILT-UP PERIMETER WALL PANELS

FRONT / BACK / SECTION VIEWS



Tilt-Up Panels

Level 3-4 Security Wall

◆ PRODUCT OVERVIEW

A tilt-up security wall panel for permanent perimeters and retro-fit hardening, rated UL Level 3-4 at 2" core. Counter-sunk security foot tabs embed into a pad or footing at installation. Optional textured front (brick, stone, custom) blends into built environments.

◆ SYSTEM SPECIFICATION

Protection	UL Level 3-4
Core	2" Ballistic
Mounting	Footing Req'd
Anchor	Foot Tabs
Finish	Textured Opt.

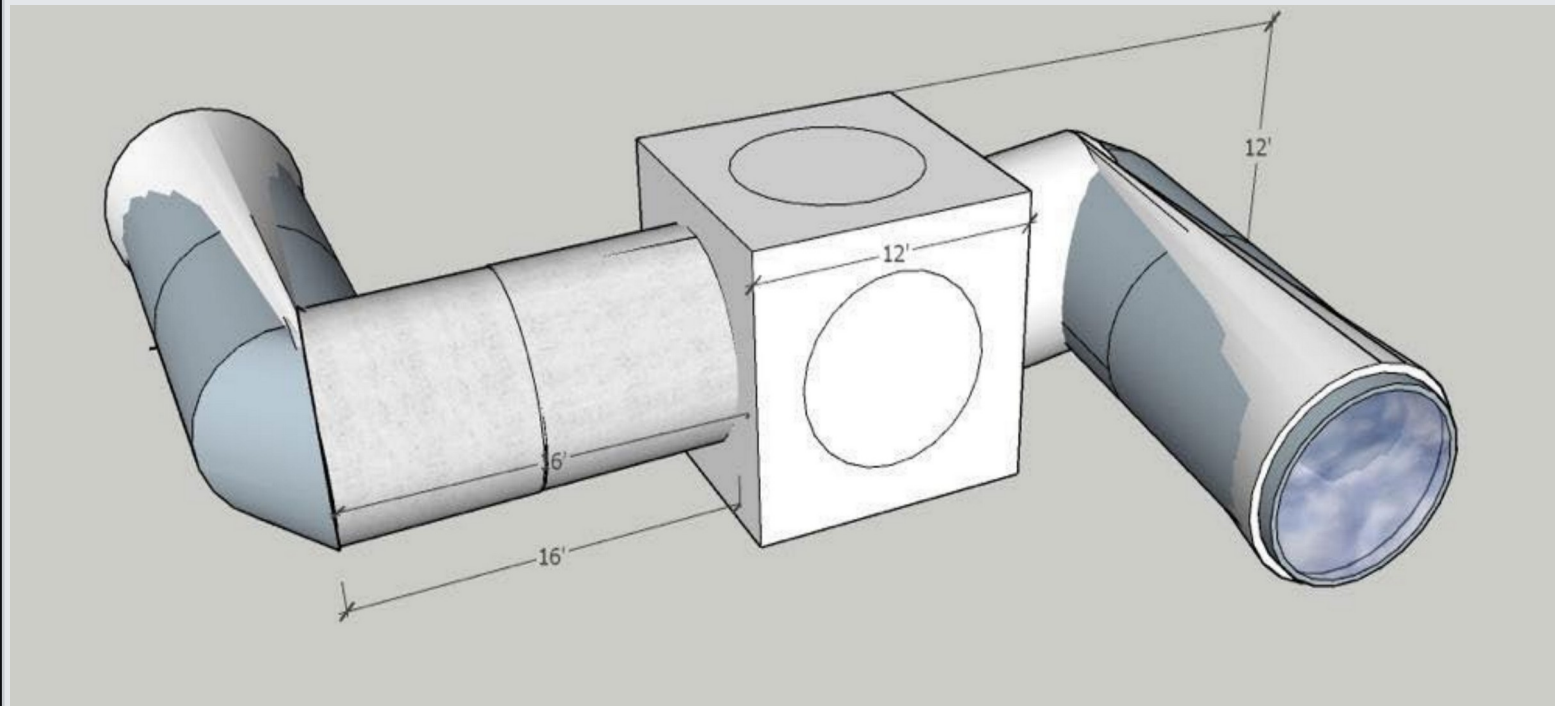
DRAWN BY HEC	ISSUE 12 MAY 26	REV DRF13
-----------------	--------------------	--------------

SCALE NTS	SIZE A / Land.
--------------	-------------------

TITAN MK 10X
ADVANCED BALLISTIC PANEL TECHNOLOGY

SURFACE-MOUNT BOMB SHELTER

MODULAR BOX & TUBE CONCEPT



Bomb Shelter

Surface-Mount Freestanding

◆ PRODUCT OVERVIEW

A freestanding surface-mount shelter combining a hardened central box with ballistic entry/exit tubes — no excavation required. Additional box sections expand capacity; entry tubes shorten or lengthen to suit the site. Built entirely from Titan MK 10X panels.

◆ SYSTEM SPECIFICATION

Type	Surface Mount
Box	12' × 12'
Tube Run	~16' (Adj.)
Expandable	Add Sections
Install	No Excavation

DRAWN BY	ISSUE	REV
HEC	2026	CONCEPT

SCALE	SIZE
NTS	A / Land.

TITAN MK 10X
ADVANCED BALLISTIC PANEL TECHNOLOGY