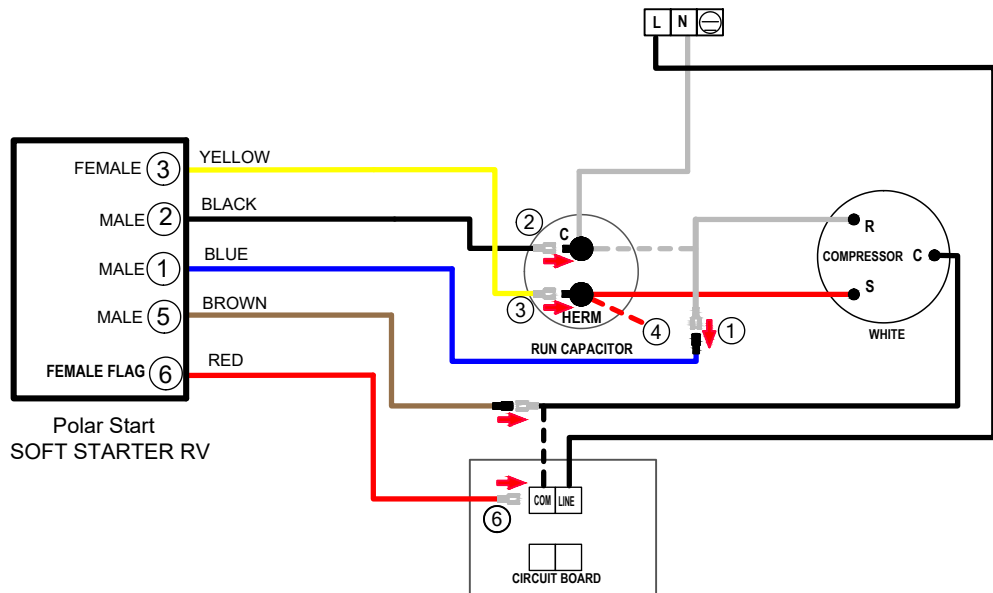
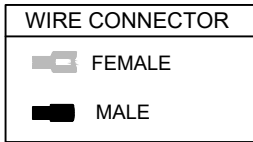


**CONNECTION DIAGRAM**



**HOW TO INSTALL RV STARTER**

**⚠️ TURN ALL POWER OFF BEFORE STARTING INSTALLATION.**

Route ALL Polar Start wires into the electrical box. Then crimp Connectors onto all Polar Start wires as indicated in drawing.

Step ① Follow White Compressor wire to Run Capacitor "C" terminal. Disconnect from "C" terminal and connect it to Blue Polar Start wire.

Step ② Connect Black Polar Start wire to the terminal that the White Compressor Wire was on.

Step ③ Connect Yellow Polar Start wire on terminal next to Red Compressor Wire on "Herm" Side of Run Capacitor.

Step ④ IF you see a second Red wire next to the Red Compressor Wire, disconnect it and seal end with electrical tape.

Step ⑤ Follow Black Compressor wire to Circuit Board COM port terminal. Disconnect wire from COM terminal and connect to Brown Polar Start wire.

NOTE: Do not place wires back under the Compressor cap.

Step ⑥ Connect Red Polar Start wire to COM terminal onto the terminal that the Black Compressor Wire was on.

Secure all wires to prevent fan from pulling wires in. Tape connections with electrical tape.

Turn Power and A/C Breaker on. Turn A/C to Auto Cool setting and set the thermostat to 55°F(12.7°C).

Look at Polar Start LED lights. Green light should be "on". Green light means the Compressor is running (there may be a full 3-minute delay before Green light comes on).

After establishing Green light operation, re-install all A/C covers. Turn A/C on, set near to outdoor temperature and run for 30 minutes. After 30 minutes, operate A/C normally.



Questions? Get answers wiring diagrams and support at [www.phoenixworldwideinc.com](http://www.phoenixworldwideinc.com)