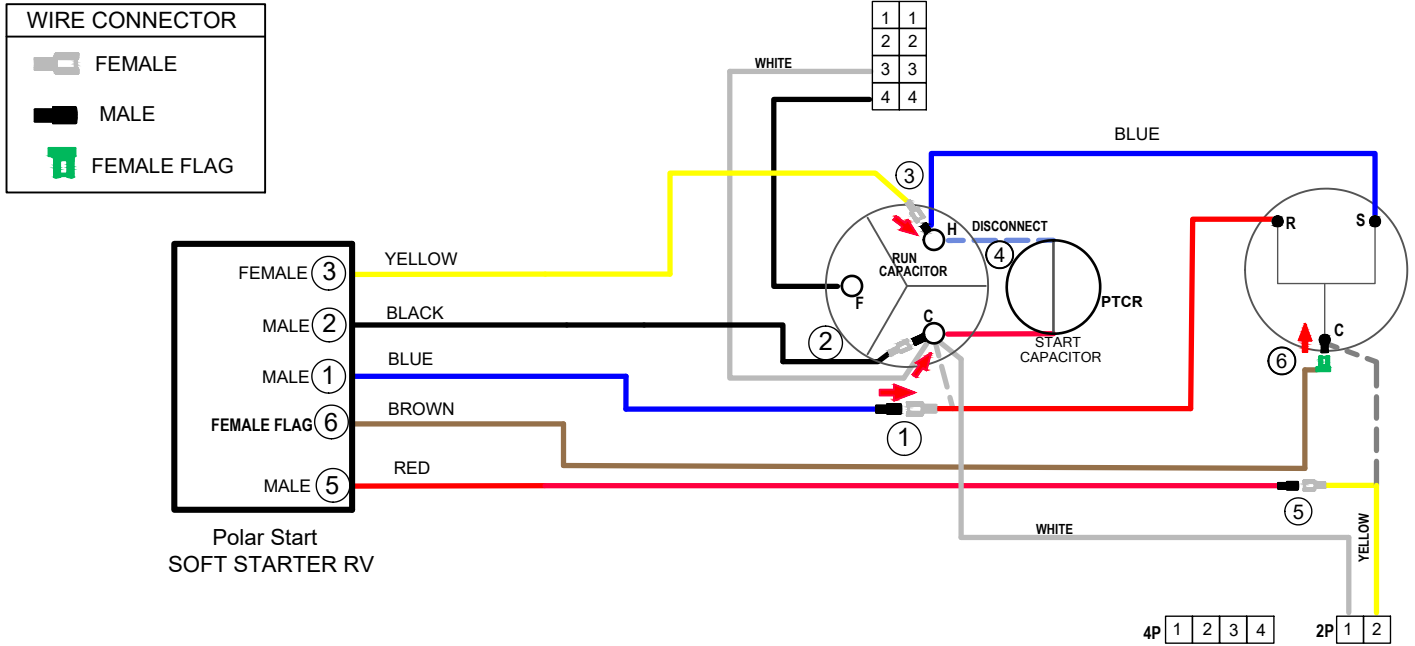


CONNECTION DIAGRAM



HOW TO INSTALL RV STARTER

⚠️ TURN ALL POWER OFF BEFORE STARTING INSTALLATION.

Route ALL Polar Start wires into the electrical box. Then crimp Connectors onto all Polar Start wires as indicated in drawing.

Step ① Follow Red Compressor wire from Compressor to Run Capacitor "C" terminal. Disconnect from "C" terminal and connect it to Blue

Step ② Connect Black Polar Start wire to the terminal that the Red Compressor wire was on.

Step ③ Connect Yellow Polar Start wire on a terminal next to Blue Compressor Wire on "H" Herm terminal of Run Capacitor.

Step ④ Disconnect Blue Start Capacitor wire next to Blue Compressor wire on "H" Herm terminal. Seal end with electrical tape and drop it.

Step ⑤ Remove Compressor cap. Disconnect Yellow Compressor Wire and connect to Red Polar Start wire. Tape connection.

NOTE: Do not place wires back under the Compressor cap.

Step ⑥ Crimp Female flag on end of Brown Polar Start wire. Connect Brown Polar Start wire on the Compressor terminal that the Yellow wire was on. Route Brown wire to exit cap with Red and Blue wires. Replace cap.

Secure all wires to prevent fan from pulling wires into it. Tape connections with electrical tape.

Turn Power and A/C Breaker on. Turn A/C to Auto Cool setting and the thermostat to 55°F(12.7°C).

Look at Polar Start LED lights. Green light should be "On" (green light means the Compressor is running). It may take 3 minutes before Green light turns "On."

Green light should turn "Off" during shut down. Re-install all A/C covers. Turn A/C back on and run for 30 minutes.



Questions? Get answers wiring diagrams and support at www.phoenixworldwide.com