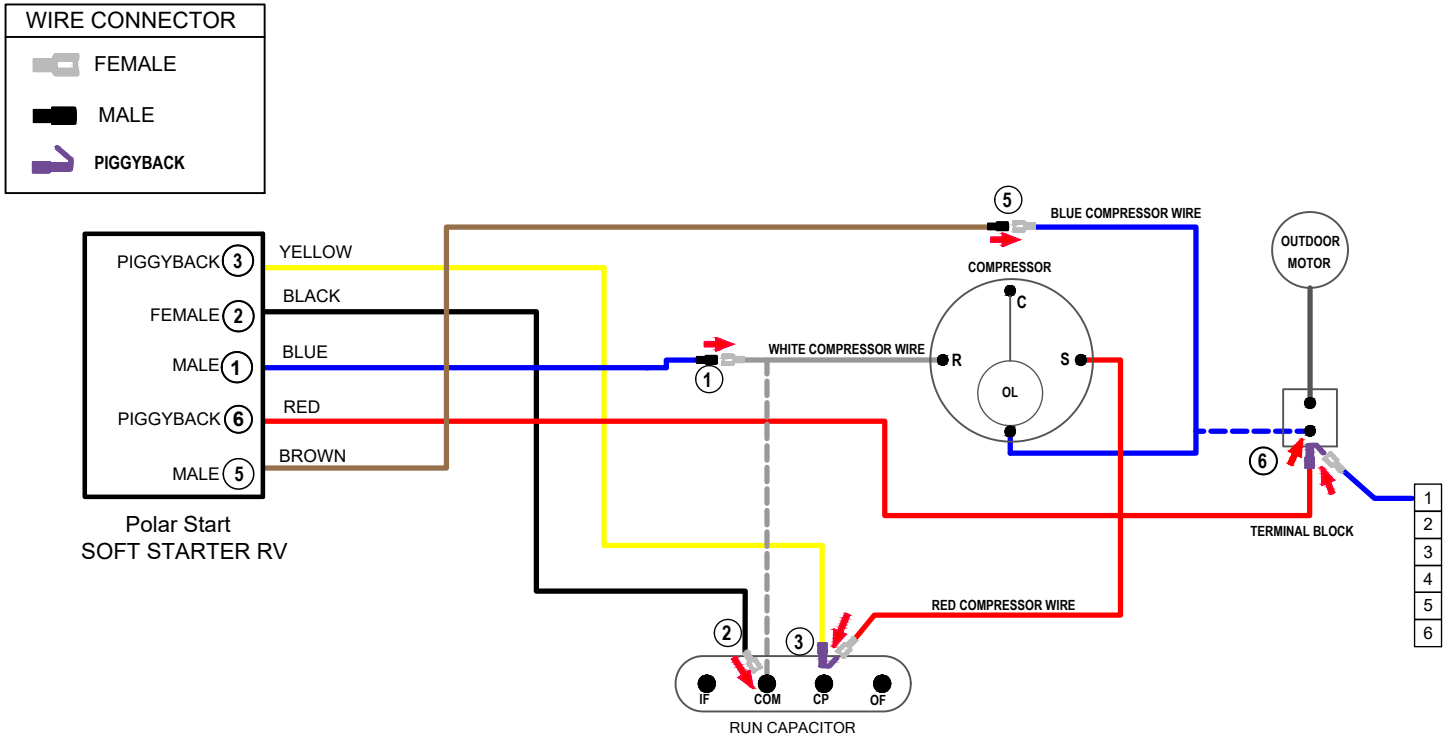


CONNECTION DIAGRAM



HOW TO INSTALL RV STARTER

⚠️ TURN ALL POWER OFF BEFORE STARTING INSTALLATION.

Route Blue, Black and Yellow Polar Start wires into the electrical box. Route Brown and Red Polar Start wires to the top of the Compressor.

Crimp Connectors onto all Polar Start wires as indicated in drawing.

- Step ① Follow White Compressor wire from Compressor to Run Capacitor COM terminal. Disconnect from COM terminal and connect it to Blue Polar Start wire.
- Step ② Connect Black Polar Start wire to the terminal that the White Compressor wire was on.
- Step ③ Disconnect the Red Compressor wire. Connect Yellow Polar Start wire on terminal that the Red wire was on. Reconnect the Red Compressor wire onto the Piggyback connector of the Yellow Polar Start wire.
- Step ④ IF you see a second Red wire next to the Red Compressor wire, disconnect it and seal end with electrical tape.
- Step ⑤ Follow the Blue Compressor wire to the terminal block. Disconnect it from the terminal block and connect it to the Brown Polar Start wire. Seal connection with electrical tape.
- Step ⑥ Connect Red Polar Start wire onto the terminal that the Blue Compressor wire was on. Connect Blue wire from 6-pin connector to Piggyback connector of Red Polar Start wire. Secure all wires. Tape connections with electrical tape.

and set the thermostat to 55°F(12°C). Look at Polar Start LED lights. Green light should be "on". Green light means the Compressor is running (there may be a full 3-minute delay before Green light comes on). After establishing Green light operation, re-install all A/C covers.

Turn A/C on, set near to outdoor temperature and run for 30 minutes. After 30 minutes, operate A/C normally.



Questions? Get answers wiring diagrams and support at www.phoenixworldwideilc.com