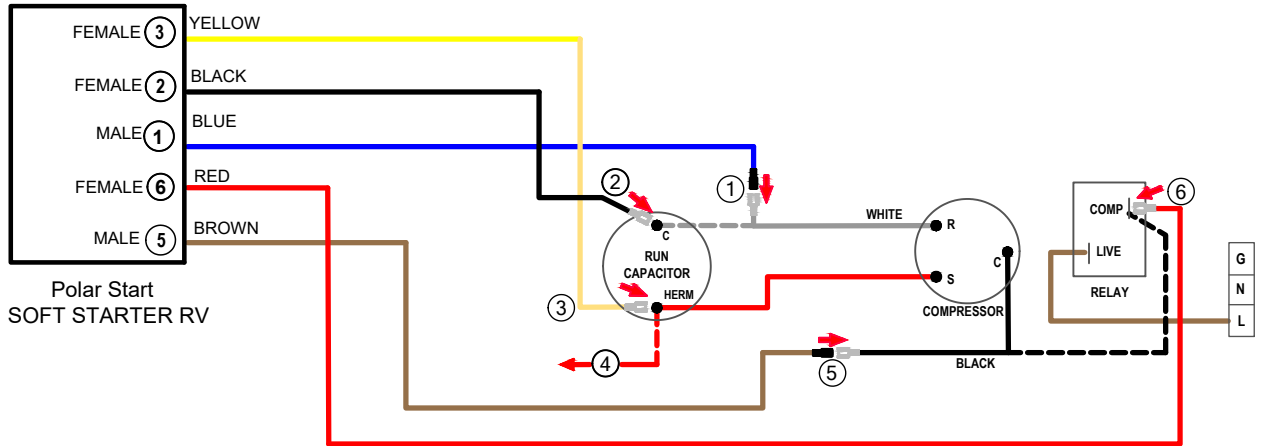
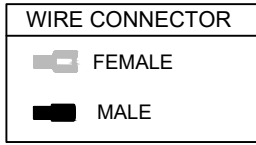


CONNECTION DIAGRAM



HOW TO INSTALL RV STARTER

⚠️ TURN ALL POWER OFF BEFORE STARTING INSTALLATION.

Route all Polar Start wires into the electrical box. Crimp Connectors onto all Polar Start wires as indicated in drawing.

- Step ① Follow White Compressor wire to "C" terminal on Run Capacitor. Disconnect from terminal and connect it to Blue Polar Start wire. Seal connection with electrical tape.
- Step ② Connect Black Polar Start wire to the terminal that the White Compressor wire was on.
- Step ③ Connect Yellow Polar Start wire on terminal next to Red Compressor wire on HERM side of Run Capacitor.
- Step ④ IF there is a second Red wire next to Red Compressor wire on HERM side of Run Capacitor, disconnect it, seal end with tape and drop it.
- Step ⑤ Follow Black Compressor wire to the COMP Relay. Disconnect Black wire from Relay and connect to Brown Polar Start wire.
- Step ⑥ Connect Red Polar Start wire onto the terminal that the Black Compressor wire was on.

Secure all wires. Tape connections with electrical tape.

Turn Power and A/C Breaker on. Turn A/C to Auto Cool setting and set the thermostat to 55°F.(12.7°C)

Look at Polar Start LED lights. Green light should be "on". Green light means the Compressor is running (there may be a full 3-minute delay before Green light comes on). Re-install all A/C covers. Turn A/C on, set near to outdoor temperature and run for 30 minutes.



Questions? Get answers wiring diagrams and support at www.phoenixworldwideinc.com