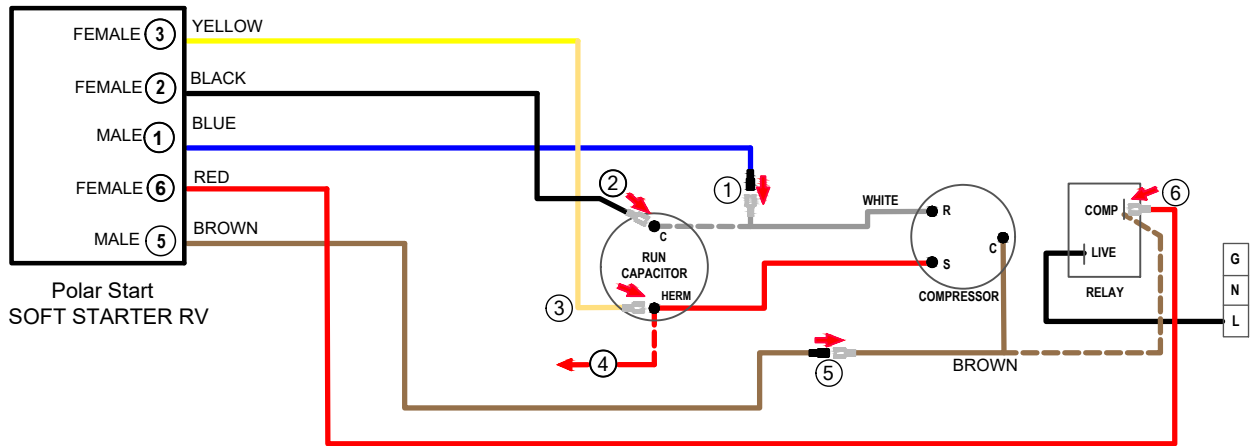
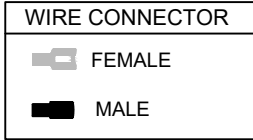


**CONNECTION DIAGRAM**



**HOW TO INSTALL RV STARTER**

**⚠️ TURN ALL POWER OFF BEFORE STARTING INSTALLATION.**

Route all Polar Start wires into the electrical box. Crimp Connectors onto all Polar Start wires as indicated in drawing.

Step ① Follow White Compressor wire to "C" terminal on Run Capacitor. Disconnect from terminal and connect it to Blue Polar Start wire. Seal connection with electrical tape.

Step ② Connect Black Polar Start wire to the terminal that the White Compressor wire was on.

Step ③ Connect Yellow Polar Start wire on terminal next to Red Compressor wire on HERM side of Run Capacitor.

Step ④ IF there is a second Red wire next to Red Compressor wire on HERM side of Run Capacitor, disconnect it, seal end with tape

Step ⑤ Follow Brown Compressor wire to the COMP Relay. Disconnect Brown wire from Relay and connect to Brown Polar Start wire.

Step ⑥ Connect Red Polar Start wire onto the terminal that the Brown Compressor wire was on.

Secure all wires. Tape connections with electrical tape.

Turn Power and A/C Breaker on. Turn A/C to Auto Cool setting and set the thermostat to 55°F.(12.7°C)

Look at Polar Start LED lights. Green light should be "on". Green light means the Compressor is running (there may be a full 3-minute delay before Green light comes on).

Re-install all A/C covers. Turn A/C on, set near to outdoor temperature and run for 30 minutes.

After 30 minutes, operate A/C normally.



Questions? Get answers wiring diagrams and support at [www.phoenixworldwideinc.com](http://www.phoenixworldwideinc.com)

