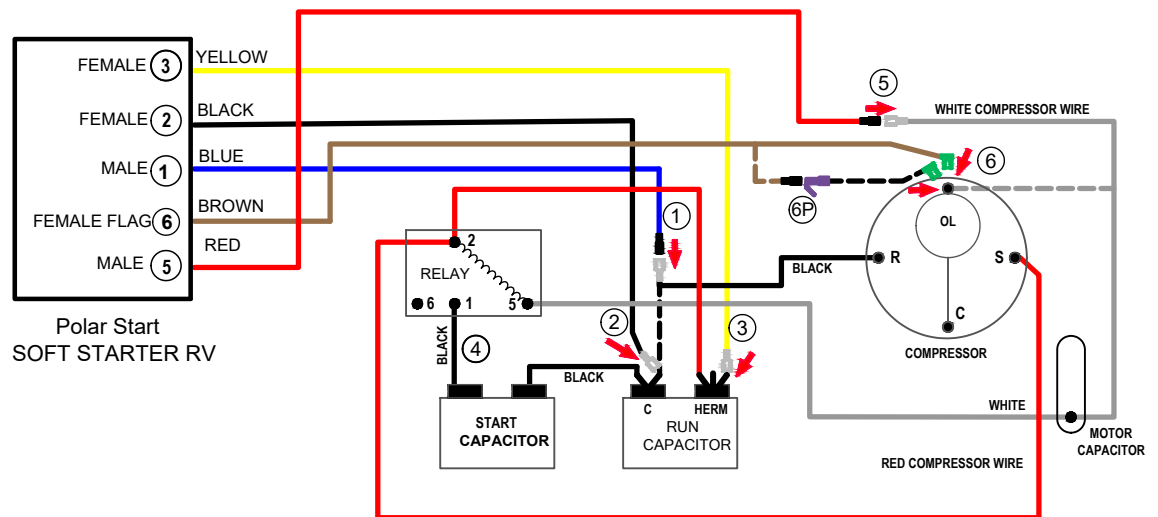
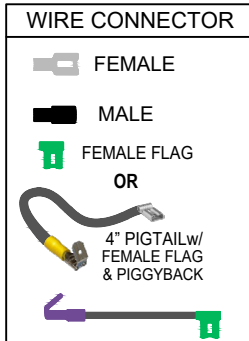


CONNECTION DIAGRAM



HOW TO INSTALL RV STARTER

⚠️ TURN ALL POWER OFF BEFORE STARTING INSTALLATION.

Route Blue, Black and Yellow Polar Start wires into the electrical box. Route Red and Brown Polar Start wires to the Compressor. Then crimp Connectors onto all Polar Start wires as indicated in drawing.

Step ① Follow Black Compressor wire from Compressor to Run Capacitor "C" terminal. Disconnect from "C" terminal and connect it to Blue Polar Start wire. Seal connection with electrical tape.

Step ② Connect Black Polar Start wire to the terminal that the Black Compressor wire was on.

Step ③ Connect Yellow Polar Start wire on terminal next to Red Compressor Wire on HERM side of Run Capacitor.

Step ④ Disconnect the Black Start Capacitor wire from the Relay. Seal end with electrical tape.

Step ⑤ Remove Compressor cap. Disconnect White Compressor wire and connect to Red Polar Start wire. Tape connection.

NOTE: Do not place wires back under the Compressor cap.

Step ⑥ Connect Brown Polar Start wire onto the terminal that the White Compressor wire was on. Route Pigtail wire out with Red and White wires and replace cap.

Step ⑥P [OPTIONAL] Connect Female Flag end of 4" PigTail onto the terminal that the White Compressor wire was on. Crimp Male connector onto Brown Polar Start wire, then connect it to Female side of Piggyback connector.

Break off unused tangent from Piggyback connector. Route Pigtail wire out with Red and White wires and replace cap.

Secure all wires. Tape connections with electrical tape. Turn Power and A/C Breaker on. Turn A/C to Auto Cool setting and the thermostat to 55°F(12.7°C).

Look at Polar Start LED lights. Green light should be "on". Green light means the Compressor is running

(there may be a full 3-minute delay before Green light comes on). After establishing Green light operation, re-install all A/C covers.

Turn A/C on, set near to outdoor temperature and run for 30 minutes.

After 30 minutes, operate A/C normally.



Questions? Get answers wiring diagrams and support at www.phoenixworlwideinc.com