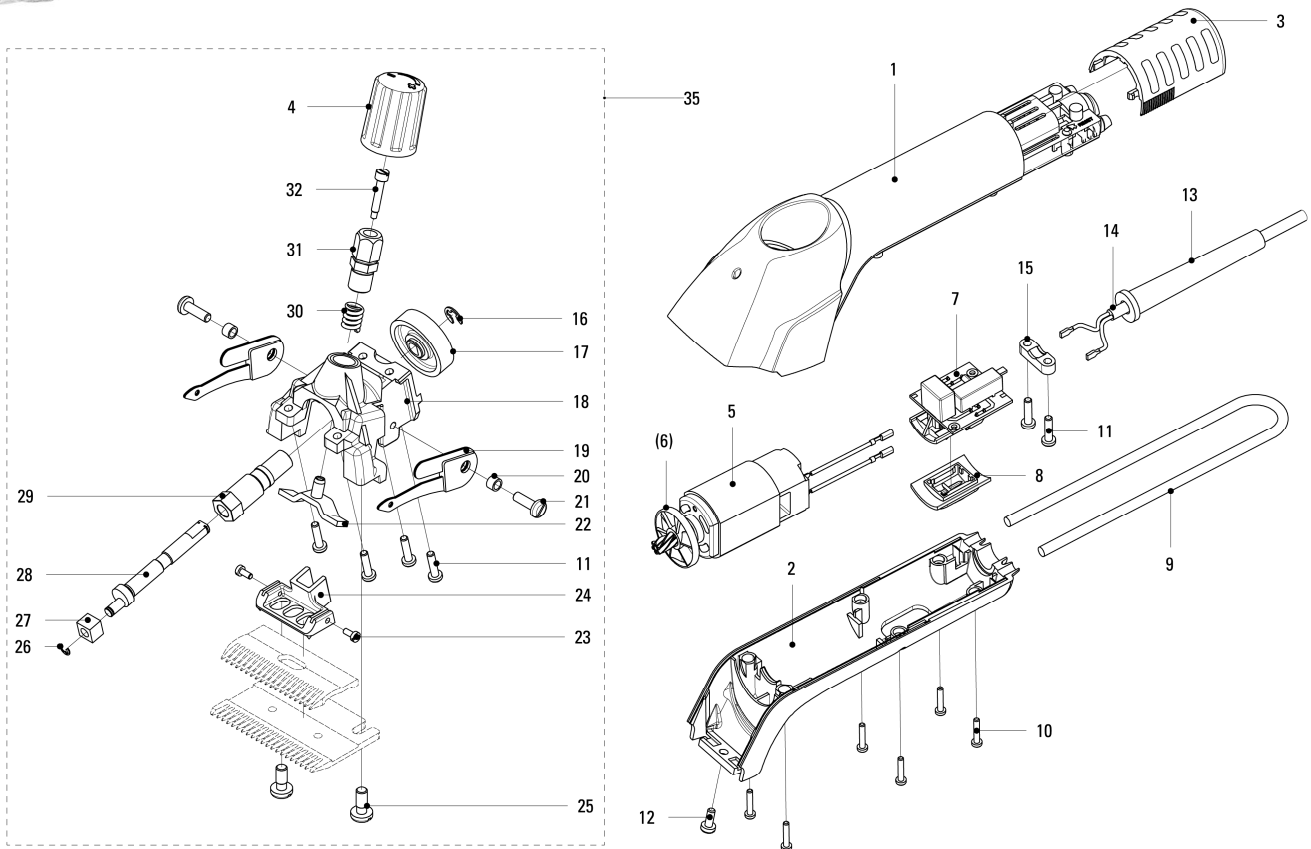




PROGRESS



POS	ART-NO	DESCRIPTION	TOTAL	POS	ART-NO	DESCRIPTION	TOTAL
1	707-520	Motor housing, upper PROGRESS grey	1x	15			
1	707-523	Motor housing, upper PROGRESS black	1x	15	707-083	Cable grip DELTA/PROGRESS EURO/USA	1x
1	707-525	Motor housing, upper ProgressStyle	1x	16	706-524	Circlip for shaft size 6	1x
2	707-530	Motor housing, lower PROGRESS grey	1x	17	707-084	Cogwheel Z35 DELTA/PROGRESS	1x
2	707-532	Motor housing, lower PROGRESS black	1x	18	707-558	Clipper head insert PROGRESS	1x
3	707-536	Air filter PROGRESS Heiniger	1x	19	706-518	Laminated spring	2x
4	707-540	Tension nut PROGRESS red	1x	20	706-514	Centering bush	2x
4	707-541	Tension nut PROGRESS black	1x	21	706-520	PH-screw M5 x 14	2x
				22	706-511	Pressure plate	1x
5	707-500-11	Motor PROGRESS 120V complete	1x	23	706-525	Socket head cap screw partially threaded M3 x 6	2x
6	707-546	Fan wheel PROGRESS	(1x)	24	707-087	Driving carrier DELTA/PROGRESS	1x
				25	706-521	Comb screw cattle/horse	2x
7	707-552	PCB PROGRESS 120V	1x	26	707-088	Circlip for shaft size 3.73	1x
8	707-553	Switch cover PROGRESS	1x	27	706-507	Crank drive block	1x
9	707-555	Cord PROGRESS	1x	28	707-089	Crankshaft DELTA/PROGRESS	1x
10	707-557	PT-screw Kombitorx KA30 x 16	6x	29	707-000-31	Crank spindle sleeve DELTA2+3/PROGRESS	1x
11	707-094	PT-screw Kombitorx KA40 x 16	6x	30	706-517	Pressure spring	1x
12	706-523	PH-screw M4 x 10	1x	31	707-091	Tension sleeve DELTA1/PROGRESS	1x
13	707-080	Anti-kink sleeve DELTA/PROGRESS	1x	32	706-510	Distance screw USV/HANDY/CORDLESS/DELTA1/PROGRESS	1x
				35	707-560	Clipper head insert PROGRESS complete without blades	1x
14	707-057	DELTA/PROGRESS cable with USA plug	1x		706-528	Set of spare parts small clipper head Pos. 19 / 20 / 23 / 26 / 27	
					707-119	Set of spare parts large clipper head Delta/Progress Pos. 16 / 17 / 19 / 20 / 23 / 25 / 26 / 27 / 28 / 29	

FOR MORE INFORMATION, OR TO PLACE AN ORDER PLEASE CONTACT:

Februar 2017 / E

HEINIGER SHEARING, INC

307-684-7700

copyright© Heiniger AG, CH-Herzogenbuchsee / Spare parts list