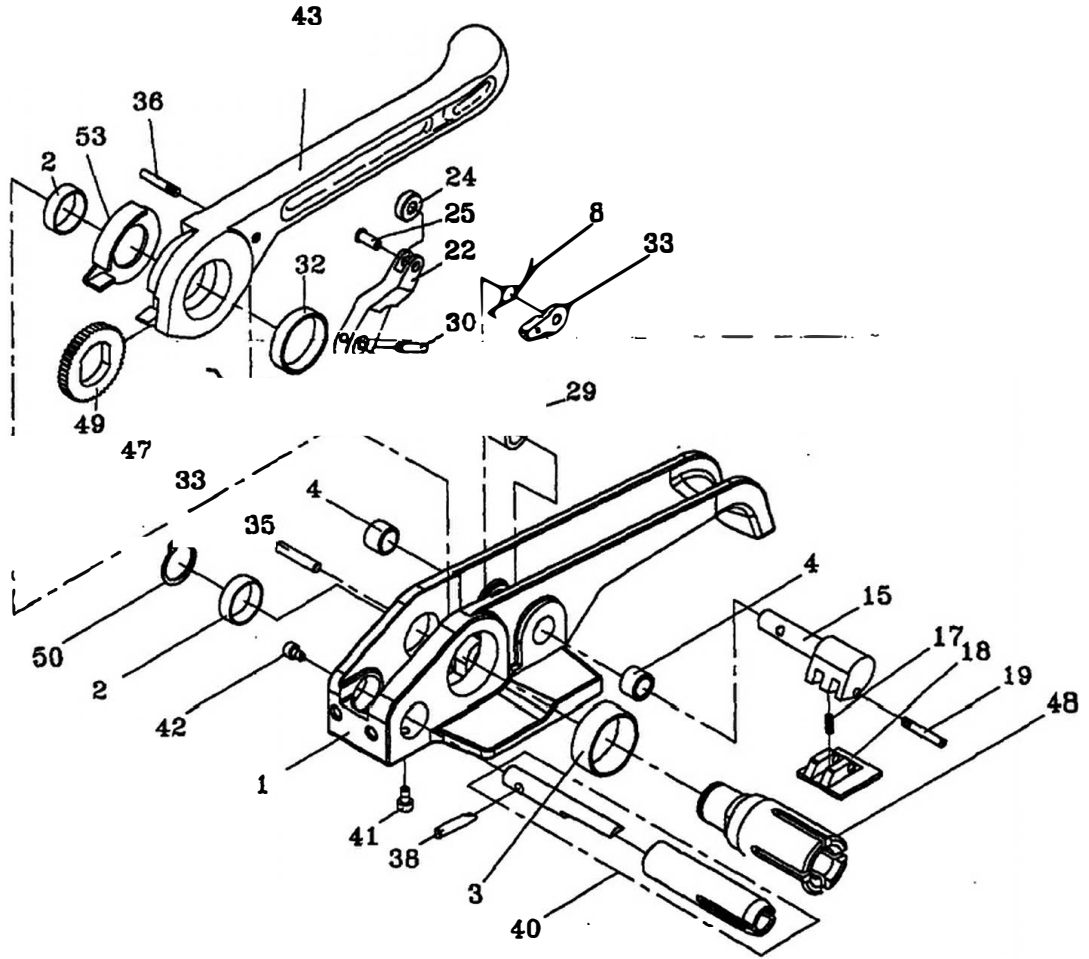


# H-25



REF. NO.	PART NO.	DESCRIPTION	QTY
1	H25-001	Base	1
2	H21-002	Small Bushing	2
3	H21-003	Big Bushing (Base)	1
4	TAL1010	Needle Bearing, 1010	2
8	H21-008	Base Toggle Spring	1
15	H25-015	Gripper	1
17	H21-017	Gripper Spring	1
18	H25-018	Gripper Plate	1
19	H21-019	Gripper Screw	1
22	H21-022	Releasing Lever	1
24	H21-024	Releasing Lever Roller	1
25	H21-025	Releasing Lever Shaft	1
28	H21-028	Main Spring	1
29	H21-029	Main Spring Bushing	1
30	SP0420	Spring Pin, 4x20	1

REF. NO.	PART NO.	DESCRIPTION	QTY
32	H21-032	Big Bushing (Handle)	1
33	H21-033	Toggle	2
35	H21-035	Base Shaft	1
36	H21-036	Handle Shaft	1
38	H21-038	Blade Lever	1
40	H25-040	Cutting Set	1
41	HBS0408	HBS, M4x8	1
42	HBS0406	HBS, M4x6	1
43	H21-043	Handle	1
47	H21-047	Handle Toggle Spring	1
48	H25-048	Windlass	1
49	H21-049	Ratchet Wheel	1
50	SR20	Stop Ring, S-20	1
53	H21-053	Nose Hook	1