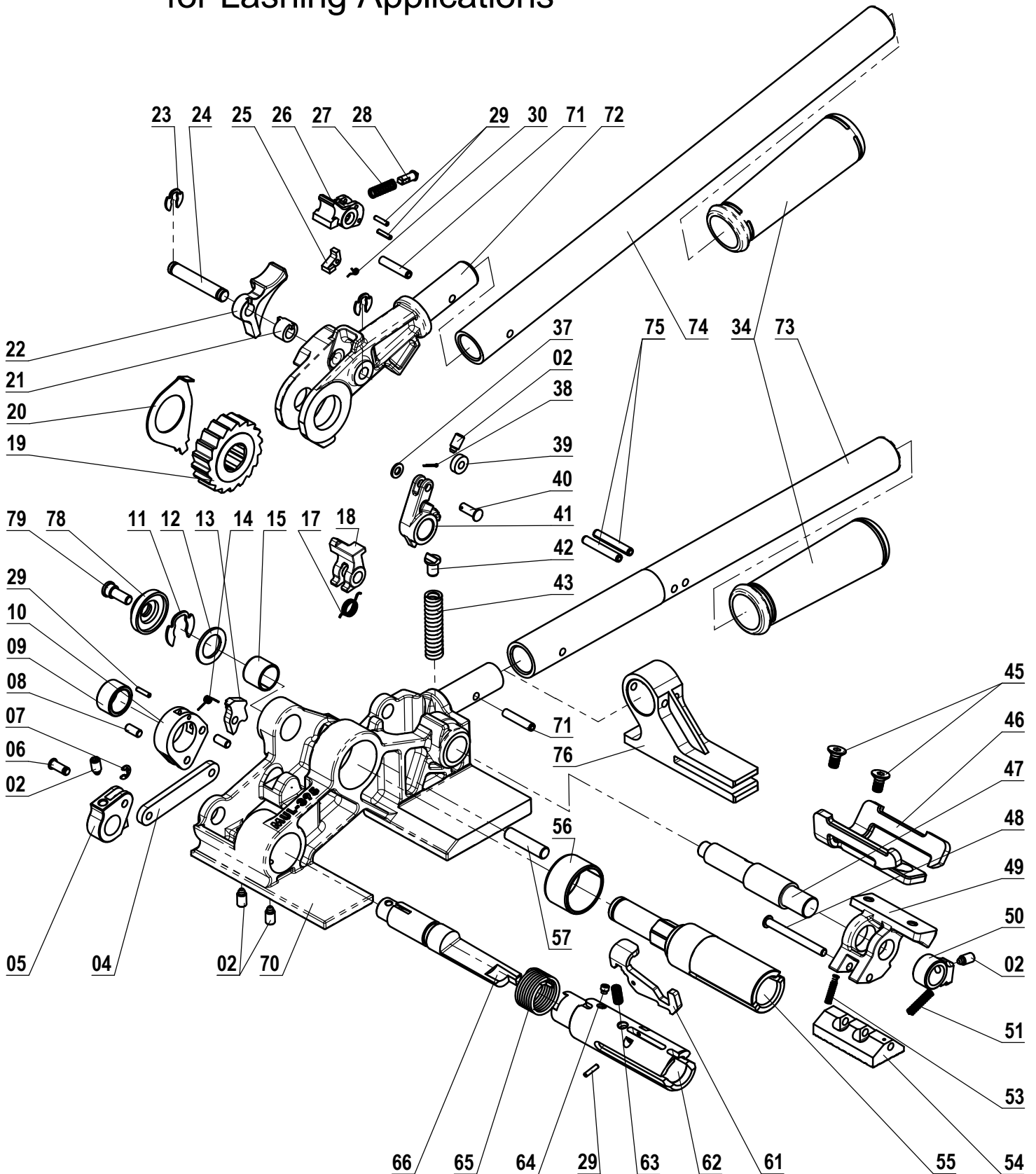


MUL-395

Heavy Duty Tensioner
for Lashing Applications



MUL-395 PART LIST

Heavy Duty Tensioner for Lashing Applications

| No | KEY No | DESCRIPTION | QTY. | No | KEY No | DESCRIPTION | QTY. |
|----|--------|-------------------------|------|----|----------|------------------------------|------|
| 02 | 395-02 | SET SCREW M6x12 | 5 | 40 | 395-40 | ROLLER PIN | 1 |
| 04 | 395-04 | ARM | 1 | 41 | 395-41 | GRIPPER LEVER | 1 |
| 05 | 395-05 | CUTTER LEVER | 1 | 42 | 395-42 | SPRING BUSHING | 1 |
| 06 | 395-06 | CUTTER PIN | 1 | 43 | 395-43 | GRIPPER LEVER SPRING | 1 |
| 07 | 395-07 | E-RING 4 | 1 | 45 | 395-45 | COUNTERSUNK HEAD SCREW M6x12 | 2 |
| 08 | 395-08 | ARM PIN | 2 | 46 | 395-46 | BUCKLE | 1 |
| 09 | 395-09 | BUSHING | 1 | 47 | 395-47 | GRIPPER SHAFT | 1 |
| 10 | 395-10 | CUTTER BUSHING | 1 | 48 | 395-48 | GRIPPER FOOT SHAFT | 1 |
| 11 | 395-11 | KLIPTING 5/8" | 1 | 49 | 395-49 | GRIPPER HOLDER | 1 |
| 12 | 395-12 | WASHER | 1 | 50 | 395-50 | STOP BUSHING | 1 |
| 13 | 395-13 | CUTTER PAWL | 1 | 51 | 395-51 | SPRING | 1 |
| 14 | 395-14 | SPRING | 1 | 53 | 395-53 | GRIPPER FOOT SPRING | 1 |
| 15 | 395-15 | PLANE BEARING SMALL | 1 | 54 | 395-54 | GRIPPER FOOT | 1 |
| 17 | 395-17 | RETAINING PAWL SPRING | 1 | 55 | 395-55 | WINDLASS | 1 |
| 18 | 395-18 | RETAINING PAWL | 1 | 56 | 395-56 | PLANE BEARING LARGE | 1 |
| 19 | 395-19 | RATCHET WHEEL | 1 | 57 | 395-57 | RETAINING PAWL SHAFT | 1 |
| 20 | 395-20 | HANDLE PLATE | 1 | 61 | * 395-61 | HOOK | 1 |
| 21 | 395-21 | COUPLING | 1 | 62 | * 395-62 | CUTTER HOUSING | 1 |
| 22 | 395-22 | CUTTER LEVER | 1 | 63 | * 395-63 | HOOK SPRING | 1 |
| 23 | 395-23 | KLIPTING 5/16" | 2 | 64 | * 395-64 | SET SCREW M5x5 DOG POINT | 1 |
| 24 | 395-24 | TENSION PAWL SHAFT | 1 | 65 | * 395-65 | CUTTER SPRING | 1 |
| 25 | 395-25 | RETURN PAWL | 1 | 66 | * 395-66 | CUTTER | 1 |
| 26 | 395-26 | TENSION PAWL | 1 | 70 | 395-70 | BASE | 1 |
| 27 | 395-27 | TENSION PAWL SPRING | 1 | 71 | 395-71 | SPRING PIN 5x25 | 2 |
| 28 | 395-28 | TENSION PAWL SPRING PIN | 1 | 72 | 395-72 | TENSION HEAD | 1 |
| 29 | 395-29 | SPRING PIN 3/32"x7/16" | 4 | 73 | 395-73 | LEVER SHORT | 1 |
| 30 | 395-30 | RETURN PAWL SPRING | 1 | 74 | 395-74 | LEVER LONG | 1 |
| 34 | 395-34 | HANDLE GRIP | 2 | 75 | 395-75 | SPRING PIN 5x32 | 2 |
| 37 | 395-37 | WASHER 5,3 | 1 | 76 | 395-76 | STRAPPING SUPPORT | 1 |
| 38 | 395-38 | COTTER PIN 1,2x8 | 1 | 78 | 395-78 | SEALING RING | 1 |
| 39 | 395-39 | ROLLER | 1 | 79 | 395-79 | SCREW | 1 |

* Part of the Cutter Assembly, order Part_No 395-60