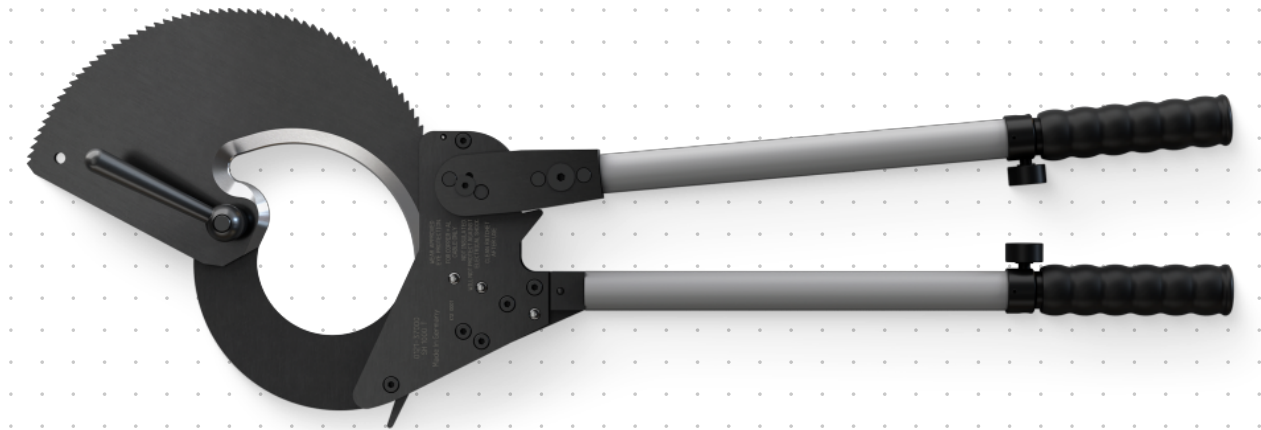


CN 2000 T

Schneiden



This tool is made for these applications

Cable up to max. Ø 100 mm from conductor class 1 & 2 in accordance with DIN EN 60228 | VDE 0295 | IEC 60228

That is particularly

Adapt the tool to your working conditions - with multi-stage adjustable telescopic handles.

Cuts cables in a clean and smooth way. You are always perfectly prepared for the next processing step.

Handles even heavy jobs with ease, thanks to optimum transmission ratios.

These functions make cutting more convenient

The cable cutter can be easily operated with two hands.

Tool lies comfortably in the hand thanks to soft handles with anti-slip protection.

Can be released in any cutting position in the event of incorrect operation.

Further advantages offered by our Made in Germany standard

Tool is extremely robust, minimal wear.

Blades can be easily replaced if necessary.

Manufactured from special steel, specially hardened and tempered parts - quality that lasts.

Technical Data

Cutting range	CU cable Diameter 100 mm 3 7/8" Cross-section max. 960 mm ² AL cable Diameter 100 mm 3 7/8" Cross-section max. 960 mm ²
Conductor classes	Class 1 solid conductors Class 2 stranded conductors DIN EN 60228 VDE 0295 IEC 60228
Dimensions (length x width)	approx. 685 to 875 mm x 280 mm ²
Weight	approx. 6.200 g