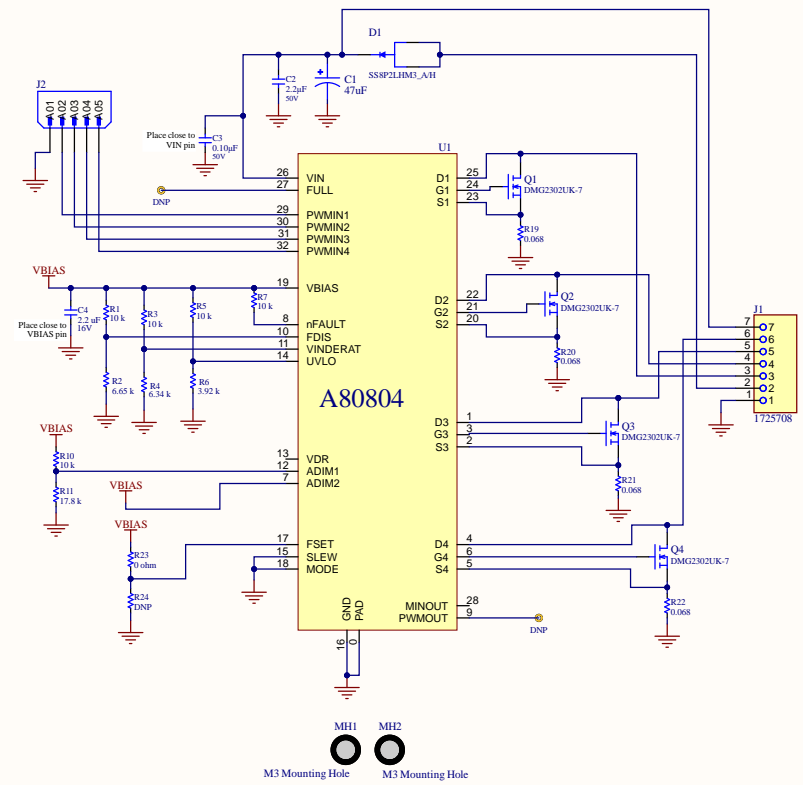


THIS DOCUMENT AND THE DATA DISCLOSED HEREIN OR HEREWITH IS THE PROPERTY OF ALTIUM LIMITED AND MAY BE FREELY DISTRIBUTED IN WHOLE. NO RIGHTS ARE RESERVED OR EXPRESS OR IMPLIED WARANTEE GIVEN.

REV	DATE	DESCRIPTION	APPROVED
1			



Animated LED lighting, LLC

APPROVALS	DATE	PROJECT	Animated LED Lighting, LLC		
ENG: P.Commerford	05/11/24	*	PROJECT REVISION:	DOCUMENT REVISION:	DESIGN ITEM:
DSN: P.Commerford			TITLE: P4804 Daisy Chain Board		
CHK: *			SIZE: B	CAGE CODE:	DWG NO.:
REFERENCE DOCUMENTS:			SCALE:	FILE NAME: P4804_ANES_Sch_Rev0.SchDoc	SHEET 1 OF 1
ASSY DWG:					REV 1
FAB DWG:					
PCB DWG:					