

# 125 LB. SIMPLEX THREADED BASKET STRAINER

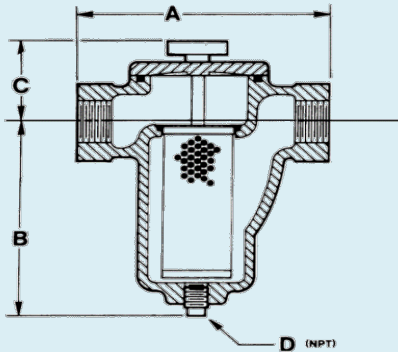


## MODELS:

**125:** Cast Iron (ASTM A126-B)

**125CS:** Carbon Steel (ASTM A216, Gr. WCB)

**125SS:** Stainless Steel (ASTM A351, Gr. CF8M)



DIMENSIONS & WEIGHTS ARE APPROXIMATE

*(Apply for certified drawings)*

## WOG PRESSURE-TEMPERATURE RATINGS

*(Note: the 125 series is **not** recommended for steam)*

**125: Cast Iron 200 psi @ 100°F**

**125CS: Carbon Steel 285 psi @ 100°F**

**125SS: Stainless Steel 275 psi @ 100°F**

## SERVICE RECOMMENDATIONS

These strainers are used to remove foreign matter from pipe lines and provide inexpensive protection to pumps, meters, valves, etc. In appropriate material, the 125 series can be specified for drinking water, cooling water, sea water, etc

## FEATURES

These strainers have been designed for applications where easy maintenance & large capacity straining are needed. Service time is minimal because the cover is secured with quick opening, non-yoke type knobs. Both the cover & the basket use O-ring seals, eliminating the need to replace gaskets each time the strainer is serviced. This, combined with the machined basket seat, eliminates particle bypass. With the appropriate wire mesh lining, these models can be used to strain particles as small as five microns.

## CONSTRUCTION

Cast cover and body. All sizes feature an O-ring cover seal. Baskets and O-ring are sealed in machined seats. Quick release knobs are insert molded with metal threads. A plugged NPT connection is provided ("D"). Coatings are available on application. Standard basket is .062 perf 304 ss. Buna-N O-ring standard for all models except stainless steel, which is supplied with a Viton O-ring.

**CAPACITY:** Minimum 6 to 1 open area ratio.

**TESTING:** Shell test pressure = 1.5 times working pressure.

SIZE in.	1/2"	3/4"	1"	1 1/4"	1 1/2"	2"	2 1/2"	3"
mm	15	20	25	32	40	50	65	80
A	4 9/16	4 9/16	5 5/16	6 5/16	6 5/16	8 1/4	9 5/8	11 1/4
B	4	4	4 11/16	6 1/2	6 1/2	7 7/8	8 3/4	11 3/8
C	2 1/2	2 1/2	2 3/4	3	3	3 5/8	4	4 1/2
D (npt)	3/8	3/8	3/8	1/2	1/2	3/4	1	1
<b>WEIGHTS (lb.)</b>								
Cast Iron	4 3/4	5	6	10	10	19 1/2	28 1/2	47
Carbon/Stainless	4 3/4	5	6 1/2	11 1/2	11 1/2	22 3/4	33 3/4	51

## FABROTECH INDUSTRIES, INC.

2089 NINTH AVENUE, RONKONKOMA, NEW YORK 11779

TEL: (631) 467-2040 FAX: (631) 467-2196 email: [info@fabrotech.com](mailto:info@fabrotech.com)  
[www.fabrotech.com](http://www.fabrotech.com)