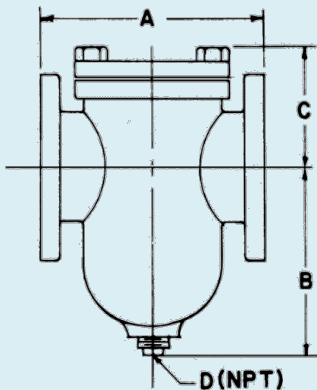




# 150# & 300# STAINLESS STEEL FLANGED SIMPLEX BASKET STRAINER

## MODELS: F85SS & F86SS



DIMENSIONS & WEIGHTS ARE APPROXIMATE  
(Apply for certified drawings)

PRESSURE-TEMPERATURE RATINGS		
STEAM:	F85SS	150 psi @ 565° F
	F86SS	300 psi @ 1125° F
WOG:	F85SS	275 psi @ 100° F
	F86SS	720 psi @ 100° F

### SERVICE RECOMMENDATIONS

These strainers are designed for long term service under demanding conditions created by high temperatures and pressures. These models are designed for medium or coarse straining.

### CONSTRUCTION

Extremely durable bodies cast in type 316 stainless steel (ASTM A351 Grade CF8M). All sizes have a bolted cover for easy access to the basket. Both models can be ordered with taps for the installation of pressure gauges (not supplied). All sizes feature tapped and plugged NPT drain connections.

### BASKETS

Sizes 3" & above feature slant baskets which allow for a straight through flow and results in extremely low pressure drop.

**For steam service**, we normally furnish .045 perf up through the 10" pipe size. Above 10", we furnish 1/16" perf.

**For water service**, we normally furnish 1/16" perf for sizes up to 3", and 1/8" perf for 4" and up.

Baskets are also available in other perforations and mesh linings in a variety of material such as Monel, Alloy 20 and Hastelloy. Standard basket is type 304 stainless steel.

### INDIVIDUALLY HYDROSTATICALLY TESTED

Size: in	2"	2 1/2"	3"	4"	5"	6"	8"	10"	12"
mm	50	65	80	100	125	150	200	250	300
A: F85-SS	8 1/2	8	8 3/4	11 3/16	12 1/4	13 7/8	17 3/8	22	25
A: F86-SS	8 1/2	8 11/16	9 9/16	11 3/4	13 1/8	14 3/4	18 1/8	22 7/8	25 3/8
B: F85-SS	5 7/8	5 7/16	5 1/4	7 7/8	10 1/4	12 1/2	15 1/8	18 1/4	18 3/4
B: F86-SS	6 1/8	6 1/4	8 1/4	8 5/8	11	12 3/4	15 1/2	17 1/8	25
C: F85-SS	5	4 3/4	5 1/2	6 1/8	5 5/8	6 3/4	8 7/8	10 3/4	13 3/4
C: F86-SS	4 7/8	5 1/2	6 1/16	5 5/16	6	6 3/8	8 1/16	9 3/4	11 3/4
D (NPT)	1/2	3/4	3/4	1	1	1 1/4	1 1/2	1 1/2	2
Wt: F85-SS	27	33	38	68	108	148	234	365	490
Wt: F86-SS	34	40	55	86	121	196	292	460	670
Cv	45	90	140	290	500	800	1600	2800	3700

16" - 20" DIMENSIONS AVAIL. ON REQ.

## FABROTECH INDUSTRIES, INC.

2089 NINTH AVENUE, RONKONKOMA, NEW YORK 11779

TEL: (631) 467-2040 FAX: (631) 467-2196 e-mail: [info@fabrotech.com](mailto:info@fabrotech.com)

[www.fabrotech.com](http://www.fabrotech.com)