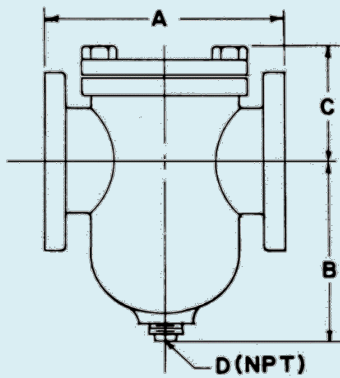
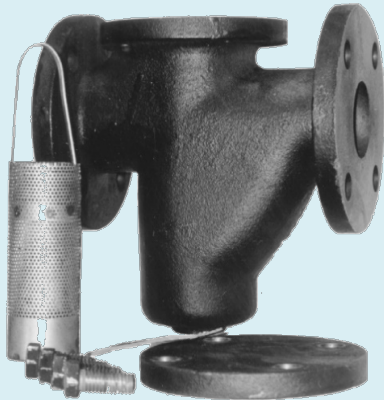




## 125# CAST IRON BODY FLANGED SIMPLEX BASKET STRAINER

### MODELS: F65



DIMENSIONS & WEIGHTS ARE APPROXIMATE

(Apply for certified drawings)

PRESSURE-TEMPERATURE RATINGS		
STEAM:	F65	125 psi @ 450° F
WOG:	F65	200 psi @ 100° F

### SERVICE RECOMMENDATIONS

These strainers are used under moderate pressure & temperature conditions. They offer excellent protection to pumps, valves, traps and other mechanical equipment.

### CONSTRUCTION

The body is constructed from Cast Iron (ASTM A126-B). The cover is HRS plate and the gasket is non-asbestos. All sizes feature a bolted cover with easy basket removal. All units are supplied with tappings for pressure gauges.

### BASKETS

Sizes 3" & above feature slant baskets which allow for a straight through flow and results in extremely low pressure drop.

For **steam service**, we normally furnish .045 perf up through the 10" pipe size. Above 10", we furnish 1/16" perf.

For **water service**, we normally furnish 1/16" perf for sizes up to 3", and 1/8" perf for 4" and up.

Baskets are also available in other perforations and mesh linings in a variety of material such as Monel, Alloy 20 and Hastelloy. NOTE: For fine straining, we suggest model 125F.

### INDIVIDUALLY HYDROSTATICALLY TESTED

Size: in	2"	2 1/2"	3"	4"	5"	6"	8"	10"	12"	14"	16"	20
mm	50	65	80	100	125	150	200	250	300	350	400	500
A	8 5/8	7 9/16	8 3/4	11 1/4	12 1/4	14	17 1/8	22	25 1/4	29	31 7/8	36 1/2
B	4 7/8	5 1/8	4 5/8	7	7 7/8	8	11 3/8	14 1/8	20 1/4	30	36 5/8	38 7/16
C	3 7/8	3 3/4	5 1/8	5 3/8	4 3/4	8	8	8 7/8	10 5/16	15	16	15 3/4
D (NPT)	1/2	3/4	3/4	1	1	1 1/4	1 1/2	1 1/2	2	2	2	2
Weight	35	37	42	81	90	150	275	438	768	1246	1400	1700
Cv	45	90	140	290	500	800	1600	2800	3700	5100	6800	10900

## FABROTECH INDUSTRIES, INC.

2089 NINTH AVENUE, RONKONKOMA, NEW YORK 11779

TEL: (631) 467-2040 FAX: (631) 467-2196 e-mail: [info@fabrotech.com](mailto:info@fabrotech.com)

[www.fabrotech.com](http://www.fabrotech.com)