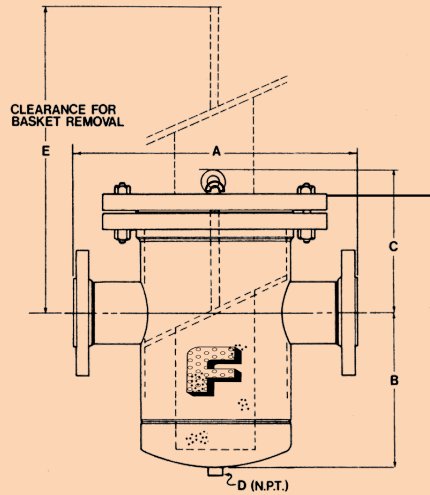




### FABRICATED SIMPLEX with BOLTED BLIND

MODEL H: BUTTWELD

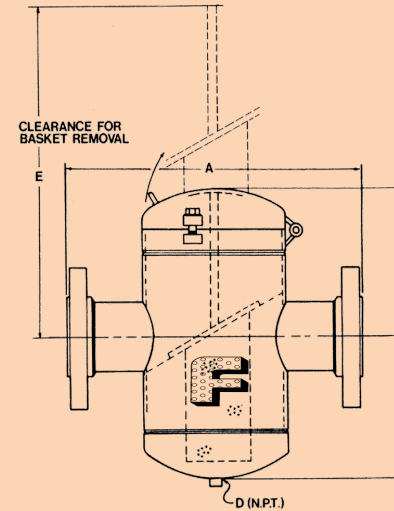
MODEL HF: FLANGED



### FABRICATED SIMPLEX with HINGED COVER

MODEL HQ: BUTTWELD

MODEL HFQ: FLANGED



| NOM SIZE | DIMENSIONS (inches)** |           |    |           |           |         |    | NET WEIGHT (lbs.) |      |           |      |
|----------|-----------------------|-----------|----|-----------|-----------|---------|----|-------------------|------|-----------|------|
|          | A                     |           | B  | C         |           | D (npt) | E  | CLASS 150         |      | CLASS 300 |      |
|          | Class 150             | Class 300 |    | Class 150 | Class 300 |         |    | Cover             | Unit | Cover     | Unit |
| 4        | 16                    | 16        | 14 | 10 1/2    | 11 1/2    | 1       | 21 | 45                | 147  | 81        | 219  |
| 5        | 16                    | 17 1/2    | 15 | 10 1/2    | 11 1/2    | 1       | 22 | 45                | 153  | 81        | 237  |
| 6        | 20                    | 21        | 17 | 12        | 12 3/4    | 1       | 24 | 70                | 203  | 127       | 328  |
| 8        | 22                    | 23        | 21 | 14        | 14        | 1 1/2   | 28 | 110               | 281  | 184       | 407  |
| 10       | 32                    | 33        | 25 | 15        | 15        | 1 1/2   | 33 | 170               | 450  | 307       | 710  |
| 12       | 35                    | 36        | 28 | 17        | 17        | 1 1/2   | 39 | 209               | 644  | 390       | 1024 |
| 14       | 37                    | 38        | 33 | 19        | 19        | 2       | 45 | 272               | 951  | 492       | 1397 |
| 16       | 42                    | 43        | 36 | 20        | 21        | 2       | 49 | 411               | 1409 | 754       | 2011 |
| 18       | 42                    | 43        | 39 | 22        | 22        | 2       | 53 | 411               | 1486 | 754       | 2127 |
| 20       | 43                    | 44 1/2    | 44 | 24        | 24        | 2       | 59 | 411               | 1553 | 754       | 2231 |
| 24       | 48                    | 49 3/4    | 60 | 28        | 30        | 2       | 78 | 681               | 2291 | 1403      | 3497 |

\*\*Supercedes dimensions in Catalog 76-8F-2

| NOM SIZE | DIMENSIONS (inches)** |           |    |           |           |         |    | NET WEIGHT (lbs.) |      |           |      |
|----------|-----------------------|-----------|----|-----------|-----------|---------|----|-------------------|------|-----------|------|
|          | A                     |           | B  | C         |           | D (npt) | E  | CLASS 150         |      | CLASS 300 |      |
|          | Class 150             | Class 300 |    | Class 150 | Class 300 |         |    | Cover*            | Unit | Cover*    | Unit |
| 4        | 16                    | 16        | 14 | 10 3/4    | 10 3/4    | 1       | 21 | 9                 | 122  | 9         | 158  |
| 5        | 16                    | 17 1/2    | 15 | 11 1/4    | 11 1/4    | 1       | 22 | 9                 | 128  | 9         | 176  |
| 6        | 20                    | 21        | 17 | 12        | 12        | 1       | 24 | 12                | 168  | 12        | 236  |
| 8        | 22                    | 23        | 21 | 13 1/4    | 13 1/4    | 1 1/2   | 28 | 15                | 226  | 15        | 278  |
| 10       | 32                    | 33        | 25 | 14 1/2    | 14 1/2    | 1 1/2   | 33 | 30                | 360  | 30        | 483  |
| 12       | 35                    | 36        | 28 | 15 3/4    | 15 3/4    | 1 1/2   | 39 | 37                | 535  | 37        | 734  |
| 14       | 37                    | 38        | 33 | 16 1/2    | 16 1/2    | 2       | 45 | 46                | 804  | 46        | 1030 |
| 16       | 42                    | 43        | 36 | 17 3/4    | 17 3/4    | 2       | 49 | 68                | 1188 | 68        | 1437 |
| 18       | 42                    | 43        | 39 | 19        | 19        | 2       | 53 | 68                | 1255 | 68        | 1553 |
| 20       | 43                    | 44 1/2    | 44 | 25        | 26 1/2    | 2       | 59 | 71                | 1322 | 71        | 1656 |
| 24       | 48                    | 49 3/4    | 60 | 28        | 30        | 2       | 78 | 88                | 1860 | 88        | 2344 |

\* Force needed to lift cover in lbs.

## FABROTECH INDUSTRIES, INC.

2089 NINTH AVENUE, RONKONKOMA, NEW YORK 11779

TEL: (631) 467-2040 FAX: (631) 467-2196 e-mail:info@fabrotech.com

www.fabrotech.com