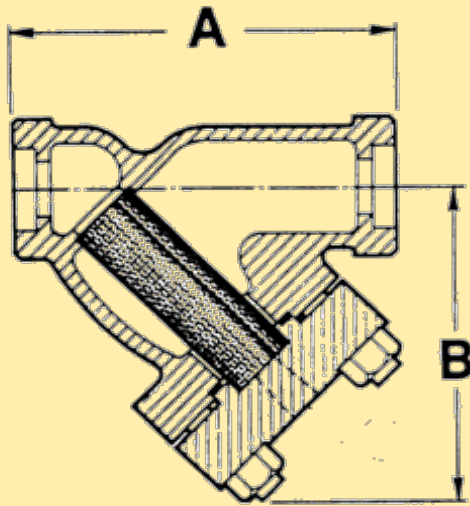




## 2500 LB. CAST 316 STAINLESS STEEL THREADED & SOCKET WELD "Y" STRAINERS

**MODELS: S9-2500 & S6-2500**



DIMENSIONS & WEIGHTS APPROXIMATE  
(Apply for certified drawings)

PRESSURE-TEMPERATURE RATINGS
6000 psi @ 100°F

### SERVICE RECOMMENDATIONS

These strainers are built for long term use under demanding conditions. Because they have been designed to withstand high temperatures and pressures, they are recommended to use for protection to pumps, valves, compressors, etc.

### FEATURES

The S9-2500 & S6-2500 have machined seats in the body and cap, which allow for proper screen alignment & seating. All Sizes are normally furnished blind (no blowoff connection in the bolted cover, but a socket weld or NPT blowoff is available & should be specified when ordering.

### SCREENS

Stainless steel screens (grade 304) are normally furnished in the following perforations:

**Steam Service:** .045"  
**Liquid Service:** .062"

Other materials, such as Monel, Hastelloy C, & Alloy-20 are available. Other perforation sizes and/or mesh lining is also available.

### CONSTRUCTION

The body, which is cast from 316 Stainless Steel (ASTM A351, Gr. CF8M), is available from stock. Furnished with RTJ gaskets for high pressure. The socket weld bore is in accordance with ANSI B16.11.

### INDIVIDUALLY HYDROSTATICALLY TESTED

SIZE in.	1/2"	3/4"	1"	1 1/4"	1 1/2"	2"
mm	15	20	25	32	40	50
A	9.25	9.25"	9.25	12.0	12.0	12.0
B	8.55	8.55"	8.25	9.0	9.0	9.0
WT (lb.)	35	35	35	75	75	75
Cv	9	9	9	30	30	42

## FABROTECH INDUSTRIES, INC.

2089 NINTH AVENUE, RONKONKOMA, NEW YORK 11779

TEL: (631) 467-2040 FAX: (631) 467-2196 e-mail: [info@fabrotech.com](mailto:info@fabrotech.com)

[www.fabrotech.com](http://www.fabrotech.com)