

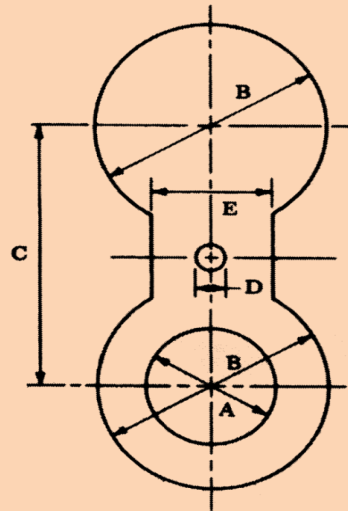


FABROTECH SPECTACLE BLINDS - SINGLE BLINDS - RING SPACERS, 900#-2500#

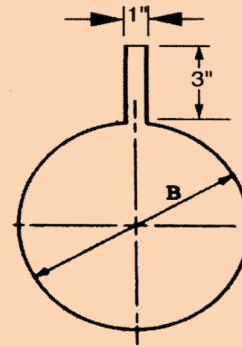
Notes:

1. For use with Flat or Raised Face Flanges.
2. Specify Surface in Microinch ASA 500, 250, 125, 63 or 32. If not specified, Mill Finish Supplied.
3. Available with Phonographic Serrated Surface or Ground Finish. Available with Ring Type Joint.
4. Normally Supplied in A285 Gr. C, A515 Gr. 70, A516 Gr. 70, 304SS, 316SS. Other Materials Available.

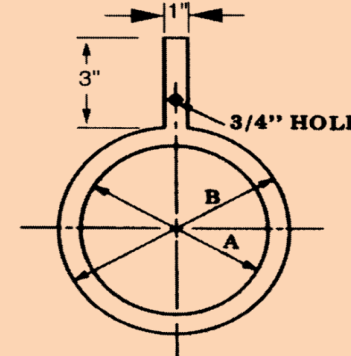
All Dims Per ASME B16.48



SPECTACLE FLANGE
 STYLE "J" - CARBON STEEL
 STYLE "JS" - STAINLESS STEEL



SINGLE BLIND
 STYLE "K" - CARBON STEEL
 STYLE "KS" - STAINLESS STEEL



RING SPACER
 STYLE "L" - CARBON STEEL
 STYLE "LS" - STAINLESS STEEL

PIPE SIZE	900# FLANGES						1500# FLANGES						2500# FLANGES					
	A	B	C	D	E	THK	A	B	C	D	E	THK	A	B	C	D	E	THK
1/2"	0.625	2.375	3.25	-	1.50	1/4	.625	2.375	3.25	-	1.50	1/4	.625	2.625	3.50	-	1.50	3/8
3/4"	.0825	2.625	3.50	0.875	1.625	1/4	.82	2.625	3.50	0.875	1.625	3/8	.82	2.875	3.75	0.875	1.625	3/8
1"	1.05	3.0	4.00	1.00	2.25	1/4	1.05	3.00	4.00	1.00	2.50	3/8	1.05	3.25	4.25	1.00	2.50	3/8
1 1/4"	1.44	3.375	4.375	1.00	2.25	3/8	1.375	3.375	4.375	1.00	2.50	3/8	1.38	4.00	5.125	1.125	2.50	1/2
1 1/2"	1.68	3.50	4.875	1.125	2.625	3/8	1.61	3.75	4.875	1.125	2.75	1/2	1.61	4.50	5.75	1.25	2.75	5/8
2"	2.16	5.50	6.50	1.00	2.25	1/2	2.07	5.50	6.50	1.00	2.75	1/2	2.07	5.625	6.75	1.125	2.75	5/8
2 1/2"	2.64	6.375	7.50	1.125	2.625	1/2	2.47	6.375	7.50	1.125	3.00	5/8	2.47	6.50	7.75	1.25	3.00	3/4
3"	3.25	6.50	7.50	1.00	2.625	5/8	3.07	6.75	8.00	1.25	3.00	3/4	3.07	7.625	9.00	1.375	3.00	7/8
4"	4.25	8.00	9.25	1.25	3.00	3/4	4.03	8.125	9.50	1.375	3.50	7/8	4.03	9.125	10.75	1.625	3.50	1 1/8
5"	5.30	9.625	11.00	1.375	3.375	7/8	5.05	9.875	11.50	1.625	3.50	1 1/8	5.05	10.875	12.75	1.875	3.50	1 3/8
6"	6.36	11.25	12.50	1.25	3.375	1	6.06	11.00	12.50	1.50	3.50	1 3/8	6.06	12.375	14.50	2.125	3.50	2
8"	8.33	14.00	15.50	1.50	3.75	1 3/8	7.98	13.75	15.50	1.75	4.00	1 5/8	7.81	15.125	17.25	2.125	4.00	2 1/8
10"	10.42	17.00	18.50	1.50	4.125	1 5/8	10.02	17.00	19.00	2.00	4.50	2	9.75	18.625	21.25	2.625	4.50	2 5/8
12"	12.39	19.50	21.00	1.50	4.125	1 7/8	11.94	20.375	22.50	2.125	4.50	2 3/8	11.37	21.50	24.375	2.875	4.50	3 1/8
14"	13.62	20.375	22.00	1.625	4.50	2 1/8	13.12	22.625	25.00	2.375	5.00	2 5/8	ON APPLICATION					
16"	15.62	22.50	24.25	1.75	4.875	2 3/8	15.00	25.125	27.75	2.625	5.25	3						
18"	17.62	25.00	27.00	2.00	5.25	2 5/8	16.88	27.625	30.50	2.875	5.75	3 3/8						
20"	19.56	27.375	29.50	2.125	5.25	2 7/8	18.81	29.625	32.75	3.125	6.00	3 3/4						

ALL DIMENSIONS IN INCHES - LARGER SIZES AVAILABLE

FABROTECH INDUSTRIES, INC.

2089 NINTH AVENUE, RONKONKOMA, NEW YORK 11779

TEL: (631) 467-2040 FAX: (631) 467-2196 e-mail: info@fabrotech.com

www.fabrotech.com