

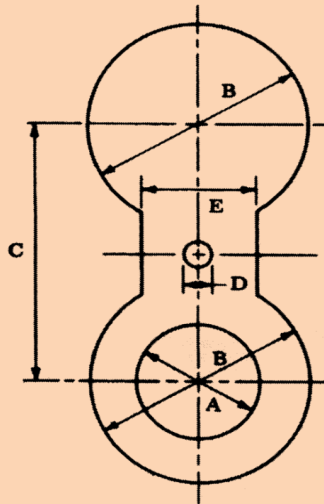


# SPECTACLE BLINDS - SINGLE BLINDS - RING SPACERS

**Notes:**

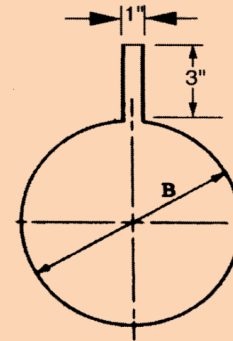
1. For use with Flat or Raised Face Flanges.
2. Specify Surface in Microinch ASA 500, 250, 125, 63 or 32. If not specified, Mill Finish Supplied.
3. Available with Phonographic Serrated Surface or Ground Finish. Available with Ring Type Joint.
4. Normally Supplied in A285 Gr. C, A515 Gr. 70, A516 Gr. 70, 304SS, 316SS. Other Materials Available.

**All Dims Per ASME B16.48**



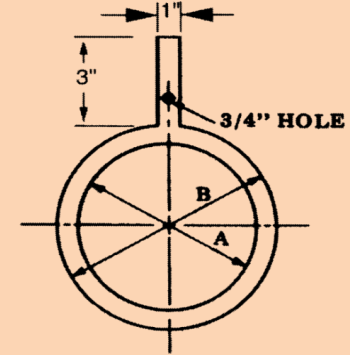
**SPECTACLE FLANGE**

STYLE "J" - CARBON STEEL  
STYLE "JS" - STAINLESS STEEL



**SINGLE BLIND**

STYLE "K" - CARBON STEEL  
STYLE "KS" - STAINLESS STEEL



**RING SPACER**

STYLE "L" - CARBON STEEL  
STYLE "LS" - STAINLESS STEEL

PIPE SIZE	150# FLANGES						300# FLANGES						600# FLANGES					
	A	B	C	D	E	THK	A	B	C	D	E	THK	A	B	C	D	E	THK
1/2"	5/8	1 3/4	2 3/8	5/8	1 1/2	1/4	5/8	2	2 5/8	5/8	1 1/2	1/4	5/8	2	2 5/8	5/8	1 1/2	1/4
3/4"	13/16	2 1/8	2 3/4	5/8	1 1/2	1/4	13/16	2 1/2	3 1/4	3/4	1 1/2	1/4	13/16	2 1/2	3 1/4	3/4	1 1/2	1/4
1"	1 1/8	2 1/2	3 1/8	9/16	1 1/2	1/4	1 1/8	2 3/4	3 1/2	11/16	1 1/2	1/4	1 1/8	2 3/4	3 1/2	3/4	2 1/4	1/4
1 1/4"	1 5/8	2 7/8	3 1/2	9/16	1 1/2	1/4	1 5/8	3 1/8	3 7/8	11/16	1 1/2	1/4	1 7/16	3 1/8	3 7/8	3/4	2 1/4	3/8
1 1/2"	1 7/8	3 1/4	3 7/8	9/16	1 1/2	1/4	1 7/8	3 5/8	4 1/2	7/8	2	1/4	1 11/16	3 5/8	4 1/2	7/8	2 5/8	3/8
2"	2 3/8	4	4 3/4	11/16	2	1/4	2 3/8	4 1/4	5	3/4	2	3/8	2 1/8	4 1/4	5	3/4	2 1/4	3/8
2 1/2"	2 7/8	4 3/4	5 1/2	11/16	2	1/4	2 7/8	5	5 7/8	7/8	2 1/2	3/8	2 5/8	5	5 7/8	7/8	2 5/8	1/2
3"	3 1/2	5 1/4	6	11/16	2 1/2	1/4	3 1/2	5 3/4	6 5/8	7/8	2 1/2	3/8	3 1/4	5 3/4	6 5/8	7/8	2 5/8	1/2
4"	4 1/2	6 3/4	7 1/2	3/4	2 1/2	3/8	4 1/2	7	7 7/8	7/8	2 1/2	1/2	4 1/4	7 1/2	8 1/2	1	3	5/8
5"	5 9/16	7 5/8	8 1/2	7/8	3	3/8	5 5/8	8 3/8	9 1/4	7/8	3	5/8	5 1/4	9 3/8	10 1/2	1 1/8	3 3/8	3/4
6"	6 5/8	8 5/8	9 1/2	7/8	3	1/2	6 5/8	9 3/4	10 5/8	7/8	3	5/8	6 3/8	10 3/8	11 1/2	1 1/8	3 3/8	7/8
8"	8 5/8	10 7/8	11 3/4	7/8	3	1/2	8 5/8	12	13	1	3 1/2	7/8	8 3/8	12 1/2	13 3/4	1 1/4	3 3/4	1 1/8
10"	10 3/4	13 1/4	14 1/4	1	4	5/8	10 3/4	14 1/8	15 1/4	1 1/8	4	1	10 7/16	15 5/8	17	1 3/8	4 1/8	1 3/8
12"	12 3/4	16	17	1	4	3/4	12 3/4	16 1/2	17 3/4	1 1/4	4	1 1/8	12 3/8	17 7/8	19 1/4	1 3/8	4 1/8	1 5/8
14"	14	17 5/8	18 3/4	1 1/8	4 1/4	3/4	14	19	20 1/4	1 1/4	4 3/4	1 1/4	13 5/8	19 1/4	20 3/4	1 1/2	4 1/2	1 3/4
16"	16	20 1/8	21 1/4	1 1/8	4 1/4	7/8	16	21 1/8	22 1/2	1 3/8	4 7/8	1 1/2	15 5/8	22 1/8	23 3/4	1 5/8	4 7/8	2
18"	18	21 1/2	22 3/4	1 1/4	4 1/2	1	18	23 3/8	24 3/4	1 3/8	4 1/2	1 5/8	17 5/8	24	25 3/4	1 3/4	5 1/4	2 1/8
20"	20	23 3/4	25	1 1/4	4 3/4	1 1/8	20	25 5/8	27	1 3/8	4 3/4	1 3/4	19 5/16	26 3/4	28 1/2	1 3/4	5 1/4	2 1/2
24"	24	28 1/8	29 1/2	1 3/8	5 1/2	1 1/4	24	30 3/8	32	1 5/8	5 1/2	2	23 1/2	31	33	2	6	2 7/8

ALL DIMENSIONS IN INCHES - LARGER SIZES AVAILABLE

## FABROTECH INDUSTRIES, INC.

2089 NINTH AVENUE, RONKONKOMA, NEW YORK 11779

TEL: (631) 467-2040 FAX: (631) 467-2196 e-mail: info@fabrotech.com

www.fabrotech.com