

# AXIOM

## GPS

USER INSTRUCTION MANUAL AND WARRANTY  
MANUAL DE INSTRUCCIONES Y GARANTIA



# Table of Contents

## **IMPORTANT CONSUMER INFORMATION**

A.	Selecting the Proper Seating Product.....	2
B.	Become Familiar with this Manual .....	2
C.	Warnings.....	2
D.	Check Your Skin Daily .....	3
E.	General Warnings.....	3
F.	Protecting Your Cushion .....	4
G.	Obstructions .....	4
H.	Cover Orientation .....	4

## **SET-UP, ADJUSTMENT AND CARE**

A.	Fitting Your Cushion and Wheelchair .....	3
B.	Maintenance .....	6
C.	Cleaning.....	6
D.	Reassembling Your Axiom Cushion After Cleaning .....	6

<b>WARRANTY.....</b>	<b>7</b>
----------------------	----------

# Tabla de Contenidos

## **INFORMACIÓN IMPORTANTE PARA EL CONSUMIDOR**

A.	Seleccionar el Producto de Asiento Apropiado .....	9
B.	Familiarícese con Este Manual .....	9
C.	Advertencias.....	9
D.	Verifique su Piel Diariamente .....	10
E.	Advertencias Generales .....	10
F.	Proteja su Cojín.....	11
G.	Obstrucciones .....	11
H.	Orientación de la Funda.....	11

## **SETEO, AJUSTES Y CUIDADOS**

A.	Ajustar su Cojín y Silla de Ruedas .....	11
B.	Mantenimiento .....	13
C.	Limpieza .....	13
D.	Armado de su Cojín Después de la Limpieza .....	13

<b>GARANTIA LIMITADA DE KI MOBILITY .....</b>	<b>14</b>
---	-----------

# Axiom-G, Axiom-P and Axiom-S

## IMPORTANT CONSUMER INFORMATION

**NOTICE:** This manual contains instructions for use with the Ki Mobility Axiom-G, Axiom-P and Axiom-S foam cushion products. This information must be provided to the consumer of this product. Do not remove this manual before delivery to the consumer of this product.

**Supplier:** This manual must be given to the consumer of this product.

**Consumer:** Read the entire owner's manual prior to using this product and keep on-hand for future reference.

**NOTICE:** Check all parts for shipping damage. In case of damage, DO NOT use. Contact the supplier or Ki Mobility for further instructions.

## Cushion Features



1. Foam Cushion	2. 4-Way Stretch Cover
3. Front Handle	4. Water Resistant Zipper and Zipper Pull

**MAXIMUM USER WEIGHT: 350 lbs (158 kilos)**

## A. Selecting the Proper Seating Product

Ki Mobility recommends that you consult with a licensed clinician (i.e. Physician or therapist) trained in wheelchair seating and positioning before selecting any seating and positioning product. This will help ensure you receive the right product for your specific needs. Axiom Seating and Positioning products should only be installed by an authorized Ki Mobility supplier.

## B. Become Familiar with this Manual

Before using this cushion, you and each person who may assist you, should read this entire owner's manual and follow all instructions. Review the Warnings often, until they are second nature to you.

## C. Warnings

The word "WARNING" refers to a hazard or unsafe practice that may cause severe injury or death to you or to other persons.

## D. Check Your Skin Daily

These Axiom Seating and Positioning products are designed to improve pressure distribution and increase sitting tolerance. Whether the cushion provided will meet your individual needs cannot be assured in advance. The integrity of your skin can be affected by many aspects of your daily life and medical condition, including the use of this product. Be sure to follow any skin care regimens established by your clinician.

Users of this product should make sure their skin is inspected daily for changes. If you see changes, discontinue the use of this product immediately and consult with your clinician. A key clinical indicator of tissue breakdown is skin redness. If your skin develops redness, discontinue the use of this product immediately and consult your clinician. Be especially careful to inspect the areas related to the bony prominences of the pelvis such as your trochanters and ischial tuberosities.

### **▲ WARNING ▲**

**WARNING:** Failure to perform proper skin inspection or continuing to use a cushion after skin changes are present can affect your skin integrity, resulting in serious injury or death.

## E. General Warnings

### **▲ WARNING ▲**

**WARNING:** Do not use or install this cushion without first reading and understanding this manual. Please contact your authorized Ki Mobility supplier or your clinician if you are unable to understand the Warnings and Instructions. Failure to do so could result in serious injury or death.

### **▲ WARNING ▲**

**WARNING:** The adhesive on hook and loop closures (commonly known as "Velcro") may degrade over time and reduce its ability to secure the cushion. This could cause you to fall from your wheelchair, resulting in serious injury.

### **▲ WARNING ▲**

**WARNING:** The installation of a cushion on a wheelchair could affect the center of gravity of the wheelchair. Changes in your center of gravity may affect your stability in your wheelchair, resulting in tipping over or falling from your wheelchair which may result in serious injury. Always review the instructions for use of your wheelchair to see if changes to the wheelchair may be needed to provide sufficient stability after adding a cushion.

### **▲ WARNING ▲**

**WARNING:** The integrity of your skin can be effected by many aspects of your daily life and medical condition, including the use of this product. Be sure to follow any skin care regimens established by your clinician. Consumers of this product should make sure their skin is inspected routinely for changes as directed by their clinician. Failure to do so could result in serious injury or death.

## F. Protecting Your Cushion

Avoid prolonged exposure to adverse environmental conditions. This may include excessive exposure to sunlight and temperatures, either hot or cold. This can result in the degradation of the performance of your cushions.

### ⚠ WARNING ⚠

**WARNING:** Failure to protect your cushion may lead to changes that can affect your skin integrity, resulting in serious injury or death.

Although your cushion has been manufactured in accordance with its labeled flammability standards, you should avoid exposing your cushion to open flames or extreme heat sources such as a burning cigarette. This may cause your cushion to ignite or emit harmful gases.

### ⚠ WARNING ⚠

**WARNING:** Failure to protect your cushion from extreme heat may cause your cushion to ignite or emit harmful gases, resulting in serious injury or death.

## G. Obstructions

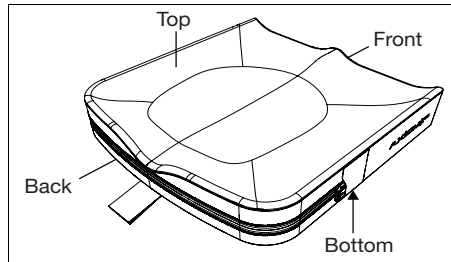
To ensure your cushion works effectively, avoid obstructions between your bottom and your cushion. Failure to do so will lessen the effectiveness of the product, potentially causing pressure points on the skin and body.

### ⚠ WARNING ⚠

**WARNING:** Pressure points can affect your skin integrity, resulting in serious injury or death.

## H. Cover Orientation

Your cushion was designed to be sat on in a specific orientation and it must be placed properly in your wheelchair with the cover oriented correctly with the foam base. It is labeled to indicate the proper orientation.



### ⚠ WARNING ⚠

**WARNING:** Failure to properly orient the cushion and cover can affect your skin integrity, resulting in serious injury or death.

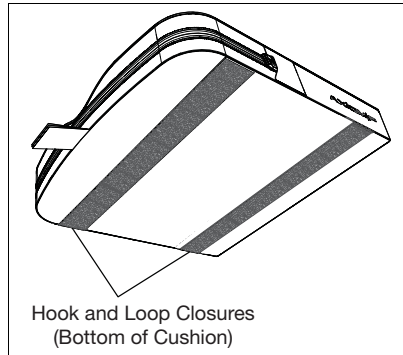
## Set-Up, Adjustment and Care

### A. Fitting Your Cushion and Wheelchair

#### 1. Initial Cushion Set-Up Without User in Seated Position

- In determining the right cushion for you, ensure the dimensions are appropriate considering the width and length of your wheelchair sling or seat pan. If you are unsure, consult your authorized Ki Mobility supplier or your clinician.

- Place the cushion in the chair with the material identification tags facing the rear of the chair and the cushion handle oriented toward the front of the chair. The non-skid texture should be facing the seat sling or seat pan on your wheelchair.
- It is important that during normal use the cushion is retained in the wheelchair. It is also important that the cushion is not displaced during transfers that might cause you to slip or fall. Your cushion has hook and loop closures and a non-skid bottom to facilitate retention in a wheelchair. Ensure the cushion hook and loop closures align and mate with the wheelchair hook and loop closures. If your wheelchair sling or seat pan does not have hook and loop closures, or they do not align with the cushion, you should consult your authorized Ki Mobility supplier or your clinician to ensure the cushion is appropriate.



**▲ WARNING ▲**

**WARNING:** Failure to properly select a cushion that fits your wheelchair can affect your skin integrity which can result in serious injury or death.

**▲ WARNING ▲**

**WARNING:** Failure to properly orient the cushion and cover can affect your skin integrity which can result in serious injury or death.

**▲ WARNING ▲**

**WARNING:** Failure to properly select the cushion and cover that can be retained in the wheelchair can cause you to fall from your wheelchair, resulting in serious injury.

**▲ WARNING ▲**

**WARNING:** Avoid using the cushion on overly stretched seat sling upholstery. Stretched upholstery does not provide adequate support for the cushion and improper positioning may result. This can affect your skin integrity, resulting in serious injury or death.

**2. Wheelchair Set-Up and Adjustment for your Cushion**

- Ensure hips are placed properly in the back of the wheelchair and cushion as directed by your authorized Ki Mobility supplier or your clinician.
- Ensure your footrests are adjusted to the proper height, as directed by your authorized Ki Mobility supplier or your clinician.
- Ensure your back support is properly positioned and adjusted for your seated posture, as directed by your authorized Ki Mobility supplier or your clinician.

**▲ WARNING ▲**

**WARNING:** Failure to ensure that the wheelchair is properly adjusted for use with the cushion can affect your skin integrity, resulting in serious injury or death.

## B. Maintenance

Regular cleaning and maintenance may help extend the life of your cushion. You should inspect your cushion weekly. During cleaning, component inspection is recommended.

1. Check Cover for Tears and Excessive Wear
  - a. Remove cover and check for abnormalities (inside and out).
  - b. Check the foam base for breakdown or degradation.

### **⚠ WARNING ⚠**

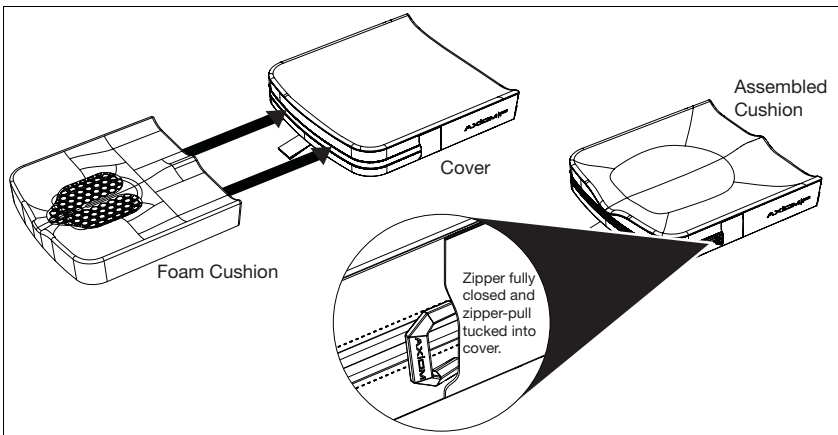
**WARNING:** If you find any abnormalities, such as the foam breaking down, discontinue the use of this product immediately and consult with your authorized Ki Mobility supplier or clinician. Failure to do so can affect your skin integrity, resulting in serious injury or death.

## C. Cleaning

1. Cleaning the Cover
  - a. Remove the outer cover from the foam base and zip closed.
  - b. Machine wash in warm water and tumble dry - no heat. Do not iron. Note - Do not dry clean covers or use industrial washers and dryers to clean cover. Do not steam autoclave. Do not bleach.
  - c. To refit cover after washing, fit cover back over foam base. Ensure the back of the cover matches up to the back of the foam base. Note - If utilized in an institutional setting, write the residents name with a permanent marker on the content label of the cover. This will ensure the return of the correct cover to its matching cushion after washing.
2. Cleaning the Foam Base
  - a. Remove the outer cover from the foam base and wipe lightly with a damp cloth. Do not use soap. Do not submerge in water. Wipe off with a clean cloth.
  - b. Let your cushion completely air-dry before reassembly.

## D. Reassembling Your Axiom Cushion After Cleaning

1. After Proper Cleaning and Maintenance
  - a. Insert the foam base into the cover with the label down and the zipper to the rear of the cushion.
  - b. Close the zippers on your cushion ensuring that the zipper-pulls end up closed with the pull tucked into the zipper pocket cover. Check that the serial and regulatory tags are at the rear of the foam base.



# KI MOBILITY LIMITED WARRANTY

## A. For 24 Months

Ki Mobility warrants the cushion to be free from defects in materials and workmanship for a period of 24 months. This limited warranty applies to:

1. Axiom-G, Axiom-P and Axiom-S Cushion Bases

For a period of 24 months (2 years) from the date of purchase, provided normal use, should a defect in materials or workmanship occur, Ki Mobility will, at its option, repair or replace it without charge. This warranty does not apply to punctures, tears, or burns.

## B. For 6 Months

Ki Mobility warrants the cushion to be free from defects in materials and workmanship for a period of 6 months. This limited warranty applies to:

1. Axiom-G, Axiom-P and Axiom-S Removable Covers

For a period of 6 months from the date of purchase, provided normal use, should a defect in materials or workmanship occur, Ki Mobility will, at its option, repair or replace it without charge. This warranty does not apply to punctures, tears or burns.

## C. Limitations

1. **We do not warrant:**
  - a. Damage from neglect, accident, misuse, or from improper installation or repair.
  - b. Products modified without Ki Mobility's express written consent.
  - c. Damage from exceeding the weight limit.
2. This warranty is VOID if the original cushion tag is removed or altered.
3. This warranty applies in the USA only. Check with your supplier to find out if international warranties apply.
4. This warranty is not transferable and only applies to the first consumer purchase of this product through an authorized Ki Mobility supplier.

## D. What We Will Do

Our sole liability is to repair or replace covered parts. This is the exclusive remedy for consequential damages.

## E. What You Must Do

1. Obtain from us, while this warranty is in effect, prior approval for return or repair of covered parts.
2. Claims and repairs should be processed through the nearest authorized supplier. Except for express warranties made herein, all other warranties, including implied warranties of merchantability and warranties of fitness for a particular purpose are excluded.

## F. Notice to Consumer

1. If allowed by law, this warranty is in place of any other warranty (written or oral, express or implied, including a warranty of merchantability, or fitness for a particular purpose).
2. This warranty gives you certain legal rights. You may also have other rights that vary from state to state.

**Record your lot number here for future reference:**



# AXIOM

## GPS

MANUAL DE INSTRUCCIONES Y GARANTÍA



# Axiom-G, Axiom-P y Axiom-S

## INFORMACIÓN IMPORTANTE PARA EL CONSUMIDOR

**NOTA:** El presente manual contiene instrucciones de uso con cojines de espuma Axiom-G, Axiom-P y Axiom-S de Ki Mobility. Esta información debe ser provista al consumidor de este producto. No retire este manual antes de entregar este producto al consumidor.

**Proveedor:** Este manual debe ser entregado al consumidor de este producto.

**Consumidor:** Lea el manual del usuario en su totalidad antes de utilizar este producto y consérvelo a mano para futuras referencias.

**NOTA:** Revise todas las partes por daños de embalaje. En caso de daño, **NO UTILICE** este producto. Contacte al proveedor ó a Ki Mobility para recibir instrucciones.

## Características del Cojín



1. Cojín de Espuma	2. Funda Elástica en 4 Direcciones
3. Manija Anterior	4. Zipper Resistente al Agua y Pestillo de Zipper

**PESO MÁXIMO DE USUARIO: 350 lbs (158 kilos)**

## A. Seleccionar el Producto de Asiento Apropriado

Ki Mobility le recomienda consultar a un clínico calificado (medico o terapeuta) entrenado en asientos y posicionamiento en sillas de ruedas, antes de seleccionar cualquier producto de asiento o posicionamiento. Esto ayudará a asegurar que usted reciba el producto correcto para sus necesidades específicas. Los productos Axiom de Asiento y Posicionamiento deberían ser instalados solamente por un proveedor de Ki Mobility autorizado.

## B. Familiarícese con Este Manual

Antes de utilizar este cojín, usted y toda persona que lo asista, deberían leer este manual de usuario en su totalidad y seguir todas las instrucciones. Revise las Advertencias a menudo, hasta que las conozca muy bien.

## C. Advertencias

La palabra "ADVERTENCIA" se refiere a peligros ó prácticas inseguras que pueden causar daños severos ó la muerte del usuario ó de otras personas.

## D. Verifique su Piel Diariamente

Los productos de Asiento y Posicionamiento Axiom están diseñados para mejorar la distribución de la presión y aumentar la tolerancia de sentado. No podemos asegurar por adelantado que el cojín cubra sus necesidades individuales. La integridad de su piel puede ser afectada por muchos aspectos de su vida diaria y condición médica, incluyendo el uso de este producto. Asegúrese de seguir al pie de la letra cualquier tratamiento para el cuidado de su piel establecido por su médico clínico.

Los usuarios de este producto deberían asegurarse de que su piel es inspeccionada diariamente para verificar cambios en la misma. Si usted nota cambios, inmediatamente deje de usar este producto y consulte a su médico. Un indicador clínico clave del deterioro de la piel, es su coloración rojiza. Si su piel se torna rojiza, deje de utilizar este producto inmediatamente y consulte a su médico. Tenga especial cuidado en inspeccionar las áreas relacionadas con prominencias óseas de la pelvis, como su trocánter y tuberosidades isquiales.

### **ADVERTENCIA**

**ADVERTENCIA:** El no realizar inspecciones apropiadas en su piel o el continuar utilizando un cojín luego de que la piel presenta cambios, puede afectar la integridad de su piel, resultando en daños severos o muerte.

## E. Advertencias Generales

### **ADVERTENCIA**

**ADVERTENCIA:** No utilice ni instale este cojín sin antes leer y entender este manual. Por favor contacte a su proveedor autorizado de Ki Mobility ó a su médico clínico si usted no está seguro de entender las Advertencias e Instrucciones. El no hacer esto podría resultar en daños severos ó muerte.

### **ADVERTENCIA**

**ADVERTENCIA:** El adhesivo en los cierres de gancho y lazo (comúnmente conocidos como "Velcro") podría degradarse con el tiempo y reducir su capacidad de asegurar el cojín. Esto podría causar caídas de su silla de ruedas, resultando en daños severos.

### **ADVERTENCIA**

**ADVERTENCIA:** La instalación de un cojín en una silla de ruedas podría afectar el centro de gravedad de la silla de ruedas. Los cambios en su centro de gravedad podrían afectar su estabilidad en la silla de ruedas, resultando en deslizamientos ó caídas de su silla de ruedas, lo cual podría ocasionar daños severos. Siempre revise las instrucciones de uso de su silla de ruedas para verificar si es necesario realizar cambios a la misma para proveer suficiente estabilidad luego de agregar un cojín.

### **ADVERTENCIA**

**ADVERTENCIA:** La integridad de su piel puede ser afectada por muchos aspectos de su vida diaria y condición médica, incluyendo el uso de este producto. Asegúrese de seguir cualquier régimen de cuidado de la piel establecido por su médico clínico. Los consumidores de este producto deberían asegurarse de que su piel es inspeccionada regularmente por cambios, como lo indica su médico clínico. El no hacer esto podría resultar en daños severos ó muerte.

## F. Proteja su Cojín

Evite exposiciones prolongadas a condiciones ambientales adversas. Esto puede incluir excesiva exposición a los rayos solares y temperaturas, tanto frías como calientes. Esto podría resultar en la degradación en el desempeño de su cojín.

### ⚠ ADVERTENCIA ⚠

**ADVERTENCIA:** El no proteger su cojín podría ocasionar cambios que podrían afectar la integridad de su piel, resultando en daños severos ó muerte.

Si bien su cojín ha sido manufacturado de acuerdo con sus estándares de inflamabilidad indicados en su etiqueta, usted debería evitar exponer su cojín a llamas abiertas ó fuentes de calor extreme tales como cigarrillos encendidos. Esto podría iniciar fuego o emitir gases peligrosos.

### ⚠ ADVERTENCIA ⚠

**ADVERTENCIA:** El no proteger su cojín de calor extremo podría ocasionar que el mismo prenda fuego ó emita gases peligrosos, resultando en daño severo ó muerte.

## G. Obstrucciones

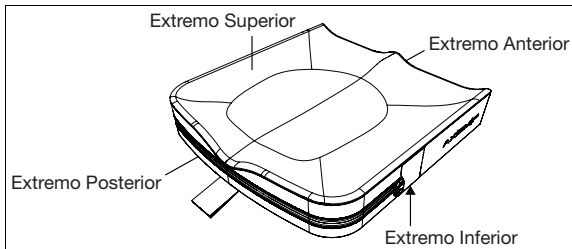
Para asegurar que su cojín funciona efectivamente, evite las obstrucciones entre su cuerpo y el cojín. El no hacerlo disminuirá la efectividad del producto, potencialmente causando puntos de presión en la piel y el cuerpo.

### ⚠ ADVERTENCIA ⚠

**ADVERTENCIA:** Los puntos de presión pueden afectar la integridad de su piel, resultando en daños severos ó muerte.

## H. Orientación de la Funda

Su cojín ha sido diseñado para ser colocado en una orientación específica y debe ser colocado apropiadamente sobre su silla de ruedas con la funda orientada correctamente con la base de espuma. La misma posee una etiqueta que indica la orientación apropiada.



### ⚠ ADVERTENCIA ⚠

**ADVERTENCIA:** El no orientar el cojín y la funda apropiadamente podría afectar la integridad de su piel, resultando en daños severos ó muerte.

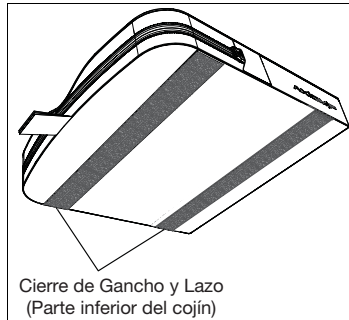
## Seteo, Ajustes y Cuidados

### A. Ajustar su Cojín y Silla de Ruedas

#### 1. Seteo inicial del Cojín Sin el Usuario en Posición de Sentado

- Para determinar el cojín indicado para usted, asegúrese de que las dimensiones son apropiadas considerando el ancho y largo de la tela ó panel de asiento de su silla de ruedas. Si usted tiene dudas, consulte a un proveedor autorizado de Ki Mobility ó a su médico clínico.

- Coloque el cojín en la silla con las etiquetas que identifican el material mirando hacia el extremo posterior de la silla y la manija del cojín orientada hacia el extremo anterior de la silla. La textura anti-deslizante debería enfrentarse con la tela del asiento ó panel de asiento de su silla de ruedas.
- Es importante que durante el uso normal, el cojín sea mantenido en la silla de ruedas. También es importante que el cojín no sea desplazado durante transferencias que pudieran causar deslizamientos o caídas. Su cojín posee cierre de gancho y lazo y una superficie anti-deslizante que facilita su permanencia en la silla de ruedas. Asegúrese de que los cierres de gancho y lazo estén alineados con los cierres de gancho y lazo, o éstos no se alinean con el cojín, usted debería consultar a un proveedor de Ki Mobility para asegurarse de que el cojín es apropiado para usted.



### ▲ ADVERTENCIA ▲

**ADVERTENCIA:** El no seleccionar apropiadamente un cojín que se ajuste a su silla de ruedas puede afectar la integridad de su piel, lo cual puede resultar en daños severos ó muerte.

### ▲ ADVERTENCIA ▲

**ADVERTENCIA:** El no orientar apropiadamente el cojín y su funda pueden afectar la integridad de su piel, lo cual puede resultar en daños severos ó muerte.

### ▲ ADVERTENCIA ▲

**ADVERTENCIA:** El no seleccionar apropiadamente el cojín y la funda que puedan ser retenidos en la silla de ruedas puede causar una caída de la silla de ruedas, resultando en daños severos ó muerte.

### ▲ ADVERTENCIA ▲

**ADVERTENCIA:** Evite utilizar el cojín sobre un tapizado de tela de asiento extremadamente estirado. Un tapizado demasiado estirado no provee un soporte adecuado para el cojín y podría resultar en un posicionamiento inapropiado. Esto puede afectar la integridad de su piel, resultando en daños severos ó muerte.

## 2. Seteo de la Silla de Ruedas y Ajustes para su Cojín

- a. Asegure que las caderas están parejas en el extremo posterior de la silla de ruedas y del cojín, como lo indica su proveedor autorizado de Ki Mobility ó su médico clínico.
- b. Asegure que sus apoya pies están ajustados a la altura correcta, como lo indica su proveedor autorizado de Ki Mobility ó su médico clínico.
- c. Asegure que su soporte dorsal está posicionado apropiadamente y ajustado para su postura sedente, como lo indica su proveedor autorizado de Ki Mobility ó su médico clínico.

### ▲ ADVERTENCIA ▲

**ADVERTENCIA:** El no asegurar que la silla de ruedas está apropiadamente ajustada para su uso con el cojín podría afectar la integridad de su piel, resultando en daños severos ó muerte.

## B. Mantenimiento

La limpieza y el mantenimiento regulares pueden ayudar a extender la vida útil de su cojín. Usted debería inspeccionar su cojín semanalmente. Durante la limpieza del cojín, se recomienda inspeccionar sus componentes.

1. Verifique que la funda no tenga roturas ó desgaste por uso excesivo
  - a. Retire la funda y verifique si existen anomalías (dentro y fuera).
  - b. Verifique que la base de espuma no presenta daños ó degradación.

### ▲ ADVERTENCIA ▲

**ADVERTENCIA:** Si usted halla anomalías, tales como roturas en la espuma ó pérdida de fluido, discontinúe el uso de este producto inmediatamente y consulte con su proveedor autorizado de Ki Mobility ó con su médico clínico. El no hacer esto puede afectar la integridad de su piel, resultando en daños severos ó muerte.

## C. Limpieza

### 1. Limpieza de Funda

- a. Retire la funda externa, cerrada con un zipper, de la base de espuma.
- b. Lave en lavarropas con agua tibia y centrifugue - sin calor. No la planche. NOTA - No utilice limpieza en seco, lavarropas ó secarropas industriales para lavar sus fundas. No utilice vapor en autoclave. No utilice lavandinas ni blanqueadores.
- c. Para volver a ajustar la funda después del lavado, coloque la misma sobre la base de espuma. Asegúrese de que el extremo posterior de la funda es compatible con el extremo posterior de la base de espuma. NOTA - Si se utiliza institucionalmente, escriba el nombre del usuario con marcador permanente sobre la etiqueta de la funda. Esto asegurará el regreso de la funda correcta a su cojín después del lavado.

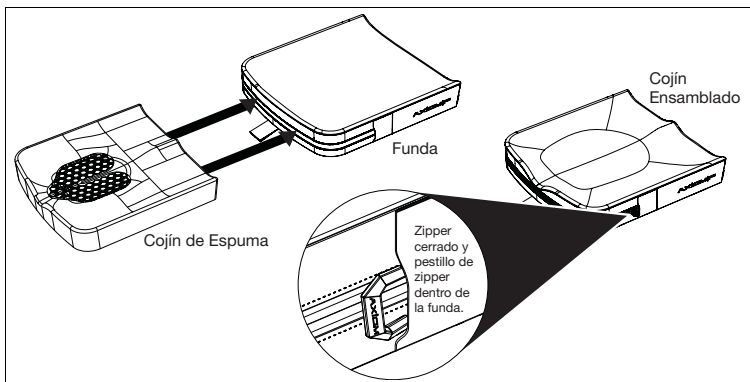
### 2. Limpieza de Base de Espuma

- a. Retire la funda externa de la base de espuma y limpie suavemente con un paño húmedo. No utilice jabón. No sumerja en agua. Seque con un paño limpio.
- b. Permita que su cojín seque completamente al aire antes de volver a ensamblar.

## D. Armado de su Cojín Después de la Limpieza

### 1. Luego de la Limpieza y Mantenimiento Apropriados

- a. Inserte la base de espuma dentro de la funda interna con la etiqueta hacia abajo y el zipper hacia el extremo posterior del cojín.
- b. Cierre el zipper de su cojín, asegurándose de que el pestillo del zipper queda encerrado dentro del bolsillo de la funda. Verifique que las etiquetas reglamentarias con el número de serie se hallan en el extremo posterior de la base de espuma.



# GARANTIA LIMITADA DE KI MOBILITY

## A. Por 24 Meses

Ki Mobility garantiza que los cojines se hallan libres de defectos en sus materiales y mano de obra por un periodo de 24 meses. Esta garantía limitada aplica a:

1. Bases de espuma de Axiom-G, Axiom-P y Axiom-S

Por un periodo de 24 meses (2 años) desde la fecha de compra, en tanto reciba un uso normal, si ocurriera una falla en los materiales ó en la mano de obra, Ki Mobility podrá - según su decisión - reparar o reemplazar la unidad sin cargo. Esta garantía no aplica a perforaciones, rasgaduras ó quemaduras.

## B. Por 6 Meses

Ki Mobility garantiza que el cojín está libre de defectos en sus materiales y mano de obra por un periodo de 6 meses. Esta garantía limitada aplica a:

1. Fundas Removibles de Axiom-G, Axiom-P y Axiom-S

Por un periodo de 6 meses desde la fecha de compra, en tanto reciba un uso normal, si ocurriera una falla en los materiales ó en la mano de obra, Ki Mobility podrá - según su decision - reparar o reemplazar la unidad sin cargo. Esta garantía limitada no aplica a perforaciones, rasgaduras ó quemaduras.

## C. Limitaciones

### 1. No garantizamos:

- a. Daños por negligencia, accidentes, uso inapropiado, instalación ó reparación inapropiadas.
- b. Productos modificados sin el consentimiento expreso y por escrito de Ki Mobility.
- c. Daños por exceder el límite de peso.

2. Esta garantía será NULA si la etiqueta original del cojín es removida ó alterada.

3. Esta garantía aplica en USA solamente. Verifique con su proveedor si las garantías internacionales son aplicables.

4. Esta garantía no es transferible y aplica solamente a la compra del primer consumidor de este producto, realizada a través de un proveedor autorizado de Ki Mobility.

## D. Lo Que Nosotros Haremos

Nuestra única responsabilidad es la de reparar ó reemplazar las partes cubiertas por esta garantía. Este es el remedio exclusive para daños consecuentes.

## E. Lo Que Usted Debe Hacer

1. Mientras la presente garantía esté en efecto, obtenga aprobación previa de Ki Mobility para devolver ó reparar las partes cubiertas por la presente garantía.
2. Los reclamos y reparaciones deberían ser procesadas a través del proveedor autorizado más cercano. Excepto por garantías expresas realizadas aquí, toda otra garantía, incluyendo las garantías implícitas o las garantías de comercialización ó ajustes para un propósito particular quedan excluidas.

## F. Nota al Consumidor

1. De ser permitido por la ley, esta garantía abarca cualquier otra garantía (escrita u oral, expresa ó implícita, incluyendo una garantía de comercialización ó ajustes para un propósito particular).
2. Esta garantía le otorga a usted ciertos derechos legales. Usted también puede tener otros derechos, que varían de estado a estado.

**Registre su número de lote aquí para futuras referencias:**

---



**Ki Mobility**

5201 Woodward Drive  
Stevens Point, Wisconsin 54481  
715-254-0991  
[www.kimobility.com](http://www.kimobility.com)

**Authorized EU Representative**

James Leckey Design  
19C Ballinderry Road  
Lisburn  
BT28 2SA  
0800-318265 (UK) or 1800-626020 (ROI)  
[www.leckey.com](http://www.leckey.com)



DCN0193.1