

TOUGH TERRAIN TRACTORS

EASTWIND YCT356S-S · YCT356S-SL

You will be driving like an expert in no time!



YCT356S-S

The East Wind YCT Series Dozer is a truly unique machine. It brings together a package of compact design, user friendliness, versatility and outstanding value never seen before in a dozer.

Developed specifically for the Australian lifestyle farmer it has captured the imagination of many farmers looking to develop and maintain their property.

East Wind delivers a compact, easy to handle machine with the awesome power to make light work of various jobs around the small acreage farm.

A power take off (PTO) and three point linkage fitted standard to the YCT Series sets it apart from other dozers on the market. This gives you the versatility to drive a slasher, fit a ripper, run a post hole digger and many other implements you would attach to a wheeled tractor.

And the giant footprint afforded by the long, wide tracks combined with the low centre of gravity gives you "go anywhere"

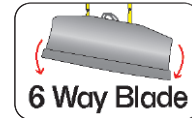
traction and stability. It's sure to be the envy of any wheeled tractor owner in steep and slippery conditions.

We understand that not all lifestyle farmers are experienced operators. That's why our dozers are designed to be comfortable and easy to use.

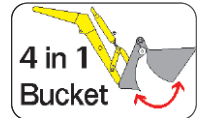
- Unlike other machines, steering is controlled with simple foot pedals leaving the hands free for operating the blade or bucket. A "left" steering pedal makes the machine turn left and a "right" steering pedal makes it turn right.
- A single intuitive joystick enables the dozer blade to be moved 6 ways – up/down, angle left/angle right, tilt left/tilt right. The joystick also has a "float" position for easier leveling while backblading.
- The easy to read instrument panel show you everything you need to know.
- The multi-adjustable, suspension seat accommodates small and large operators and softens the bumps of dozer work.



Flat & Hilly Country



6 Way Blade



4 in 1 Bucket

Down Pressure
3 point linkage

4 Cylinder Diesel

18 Month Factory Warranty

BUY DIRECT
Local Service Backup



YCT356-SL
35HP Steel Track
4 Cyl Diesel

BRISMAC

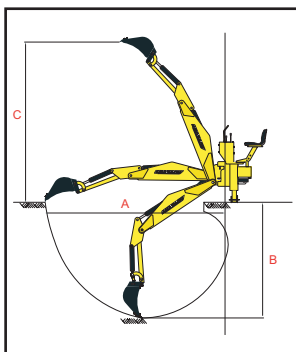
TRACTORS & MACHINERY

588 Old Gympie Road, Narangba 4504

Tel. 07 3888 2186 | brismac.com.au
scott@brismac.com.au
cam@brismac.com.au
parts@brismac.com.au

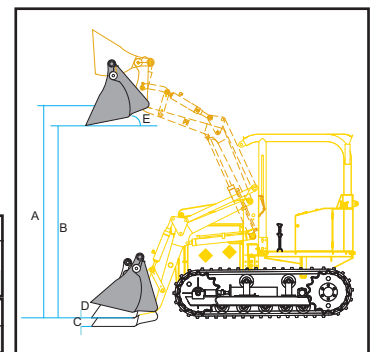
EASTWIND YCT356S-S - YCT356S-SL Specifications

Dozer Model	YCT356S-S	YCT356S-SL
Overall length blade / loader (mm)	2980	3360
Overall width (with straight blade) (mm)	1740	1550
Overall height to top of ROPS (mm)	2370	
Track width (mm)	1450	
Shoe width (mm)	290	
Ground clearance (mm)	240	
Operating weight (kg)	3150	3320
Turning Circle (mm)	1400	
Lift height of blade (mm) / Loader dump height	500	2200mm
Blade capacity / Bucket volume	0.67 m ³	0.3m ³
Engine Model	4L22TA	
Type	Direct injection, vertical liquid cooled 4 cyl diesel, EPA4 approved.	
Cylinders / Bore and Stroke	4 / 85 x 95mm	
Displacement	2.16L	
Transmission: Manual Shift	(4+1) x 2; 8 Forward x 2 Reverse	
Speeds. Forward / Reverse (Km/Hr)	0.9 - 11.5	
Clutch	Dry disc	
Brake / Steering	Band brakes, pedal control / Multiple Disc	
Undercarriage:	Semi - rigid	
Track rollers each side	5+2	
Number of shoes	43 (109mm pitch)	
Track tension device	Helical spring, mechanical adjustment	
PTO type	Single clutch	
PTO speed	2 speeds - 540 & 1000	
3PL Capacity at ball end / Category	750Kg / Cat 1	
Hydraulics: Main pump	29.4 lpm	
Fuel capacity	28L	



FACTORY OPTION BACKHOE - 3 POINT LINKAGE (CATEGORY 1)				
MODEL	Bucket Width	Working Length (A)	Digging Depth (B)	Extend Height (C)
BHEF-195	300mm	2900mm	1950mm	3170mm
Unload Height	Leg Spread	" Swing Angle (boom) "		Weight
1951mm	1800mm	140°		494kg

" FRONT END LOADER - 4 in 1, SELF LEVELLING		
Bucket Width	Lift Height (A)	Dump Clearance (B)
1550 mm	2730 mm	1973 mm
Crowd Angle (D)	Dump Angle (E)	Lifting Capacity
40°	45°	550kg



*Specifications subject to change without notice

V 2013.02.05