



Northstar Surfaces

Bring Nature Home

**STAINLESS STEEL SINKS
DOUBLE BOWL 50/50**



NS-50/50-R20
(Available in 16G)

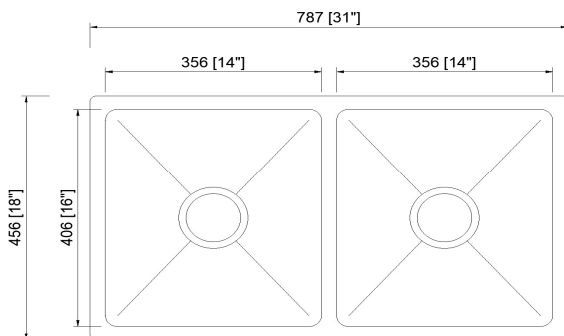
This NEW double bowl undermount sink is constructed with 16 gauge thickness 304 in tight radius. With two equally sized 9" deep bowls and innovative sound deaden pads, it's not only elegant but practical too.

An ideal choice for busy homes and light commercial environments, this large easy to clean sink offers a beautiful brushed satin finish that helps minimize small scratches for enduring beauty.

Long lasting quality and elegance come together in this popular double bowl sink.

Strainer and stainless steel grid available as an option.

Line Drawing:



Northstar Surfaces - Ohio
2233 Westbrooke Drive, Columbus, OH 43228
Phone: 614-541-9155

SPECIFICATIONS:

Overall Size: 31" x 18"

Bowl Size: 14" x 16" and 14" x 16"

Depth: 9" / 9"

Thickness: 16G

Drain Opening: 3-1/2"

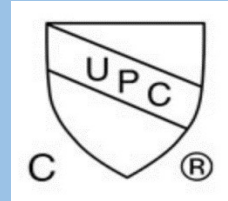
Installation type: Undermount

Finish: Satin Brushed

Stainless Steel Grade: 304

Minimum Cabinet Size: 33"

Full spray sides and bottom with bottom pads.



These sinks are listed by IAPMO, as meeting the applicable requirements of the Uniform Plumbing Code, and National Plumbing Code of Canada.

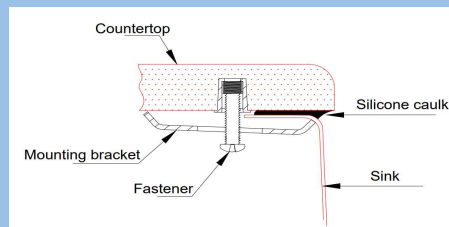
ASME A112.19.3

CSA B45.4

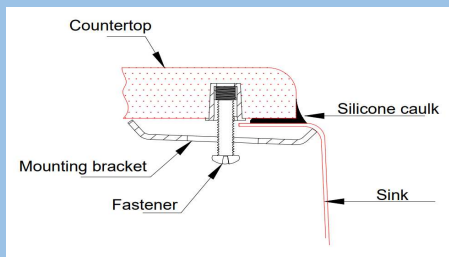
Installation Profile:

(Download DXF file from www.northstarsurfaces.com)

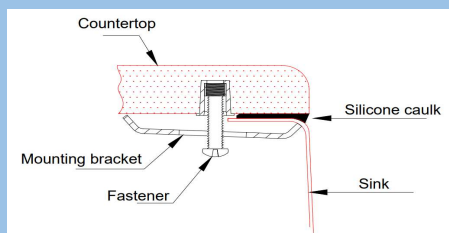
Overhang:



Reveal:



Flush:



Northstar Surfaces - Indiana
7345 West 200 North, Greenfield, IN 46410
Phone: 463-777-6779