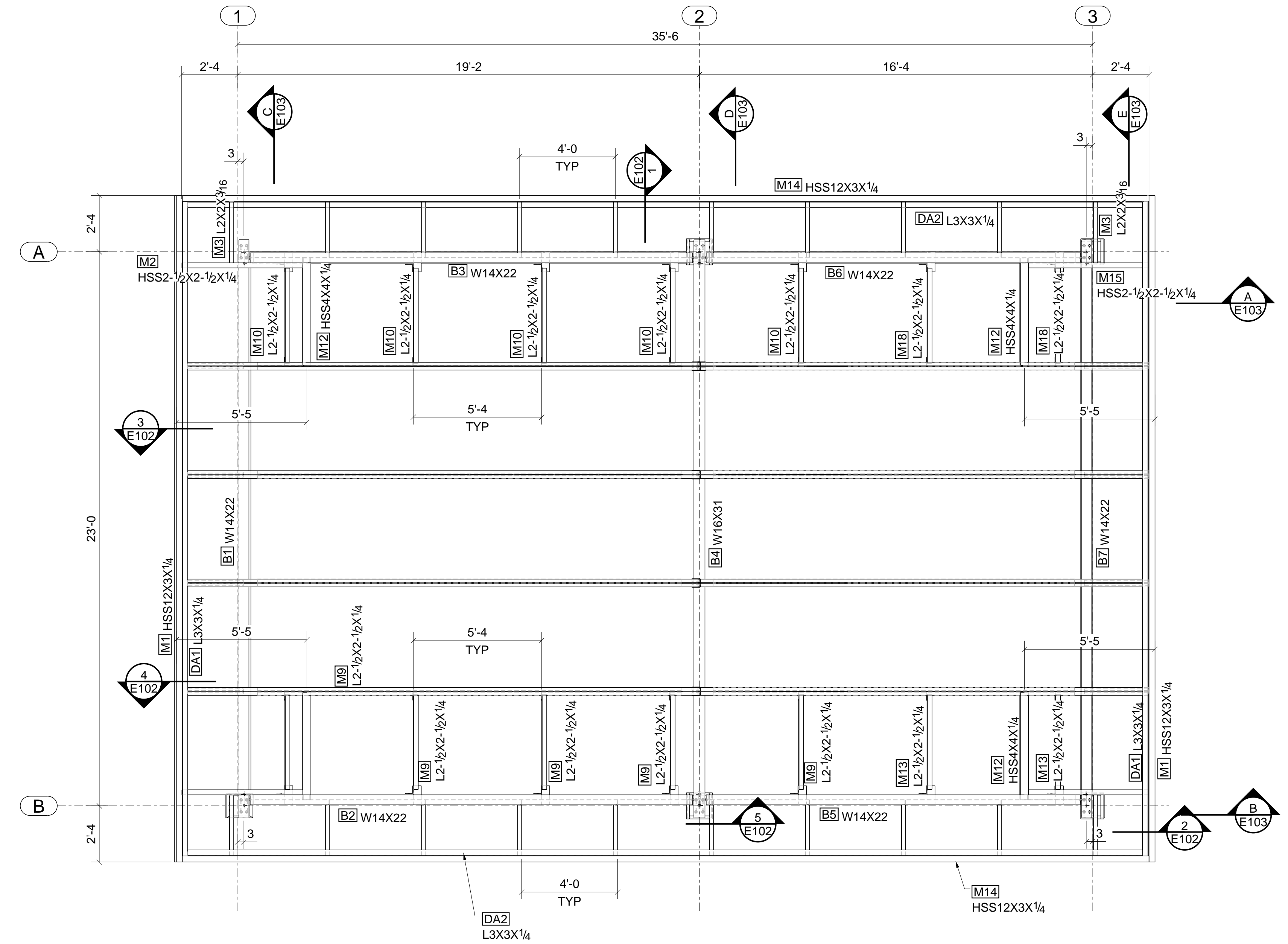
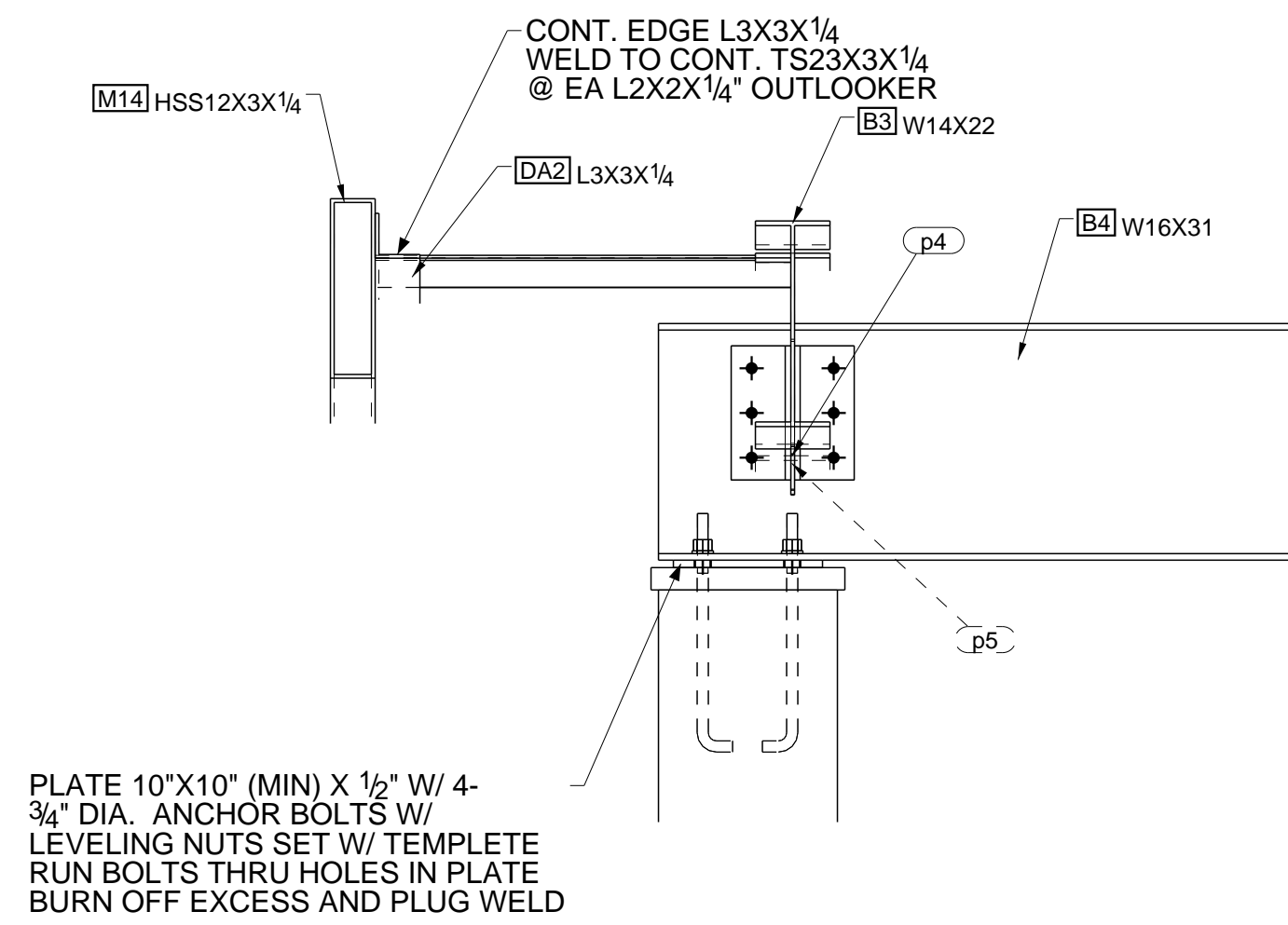


FRIST FLOOR FRAMING PLAN
REF: S-2.1

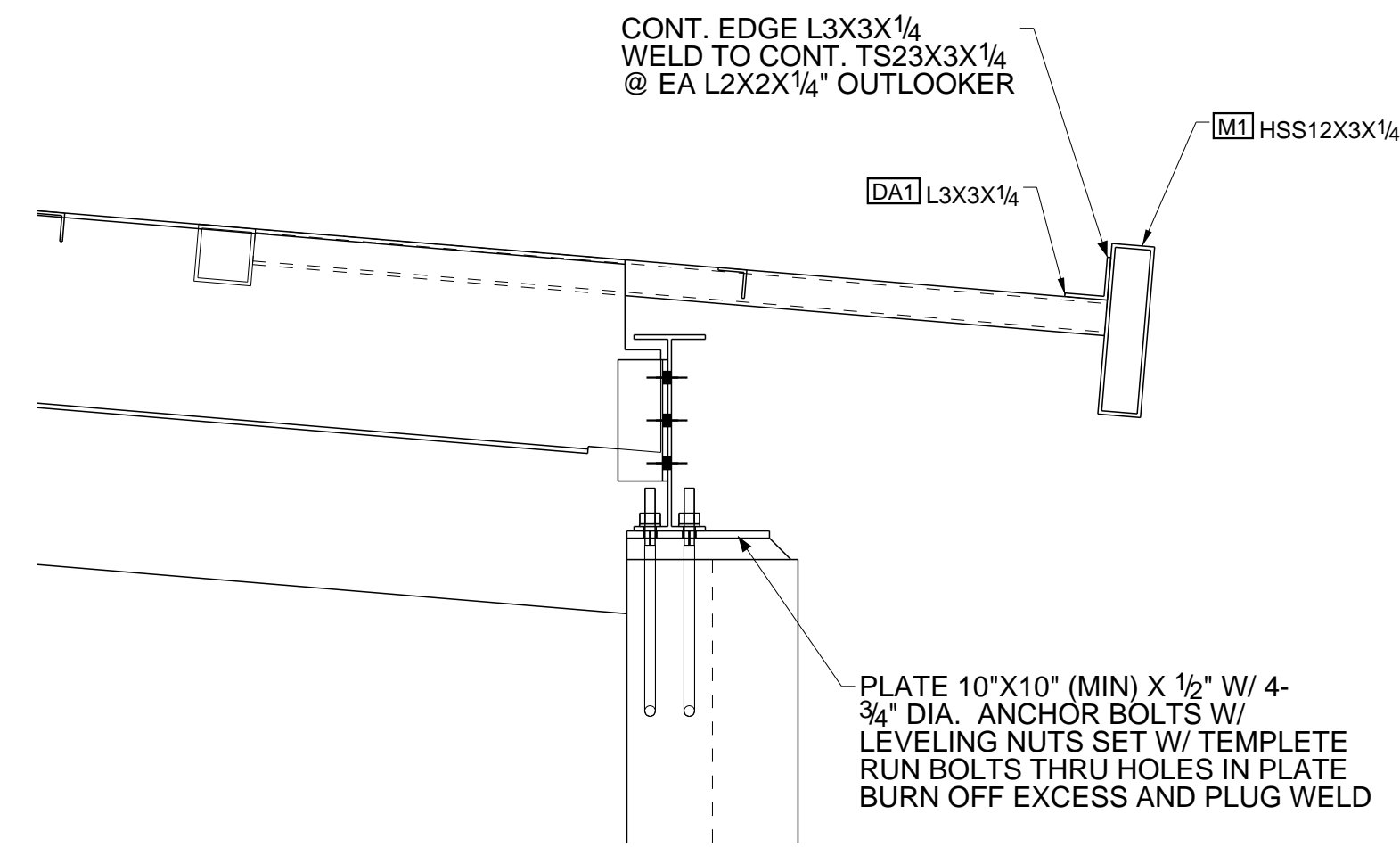


ROOF FRAMING PLAN
REF: S-2.1

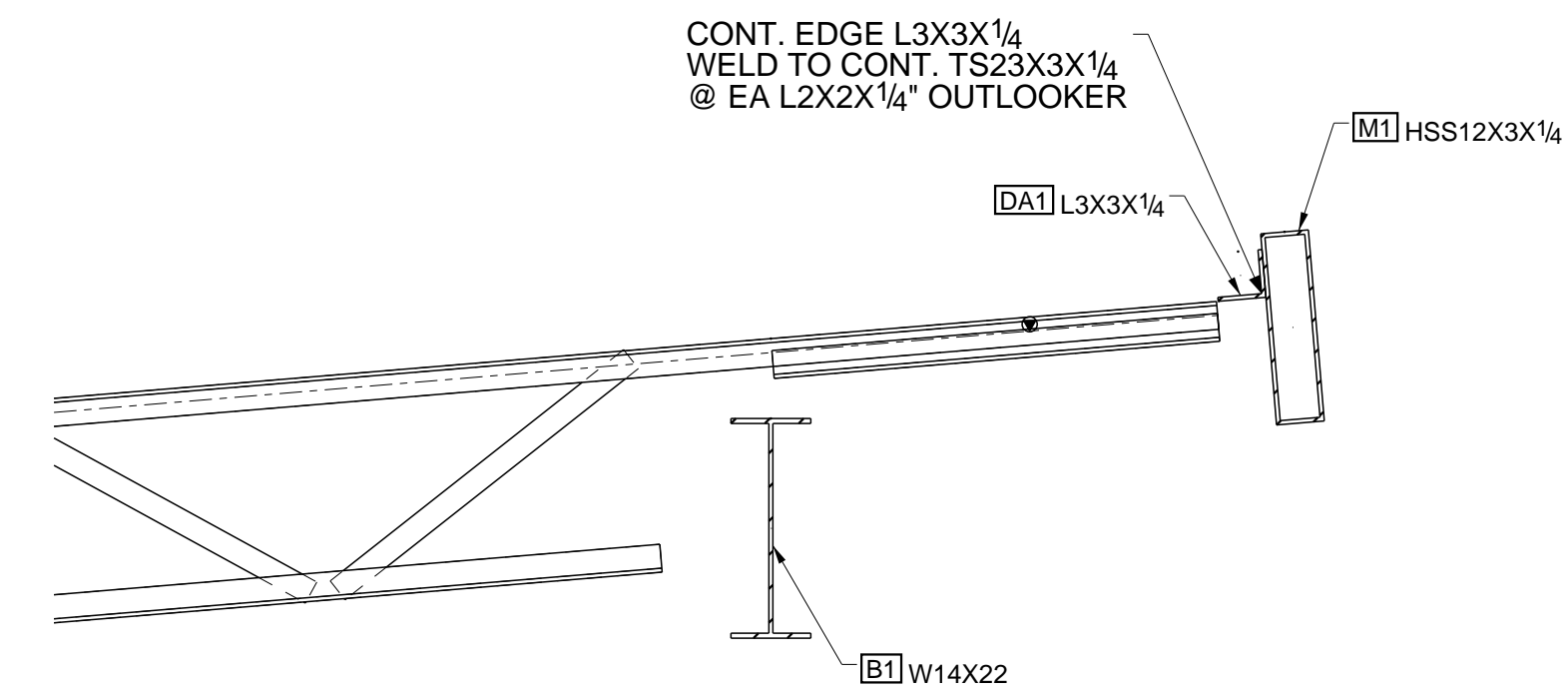
2	RELEASE FOR FABRICATION	12/25/2023
1	RELEASE FOR FABRICATION	11/29/2023
A	SENT FOR APPROVAL	09/29/2023
REV	DESCRIPTION	DATE
Danco Construction Incorporated		
7303 HWY 90 E SEGUIN, TEXAS 78155		
DESCRIPTION	PLAN VIEW AND ISO VIEW	
PROJECT NAME	AQUATIC LEARNING CENTER	
DRAWN BY	DW	JOB No. 4868
DATE DRAWN	10/30/2023	DRG No. E101



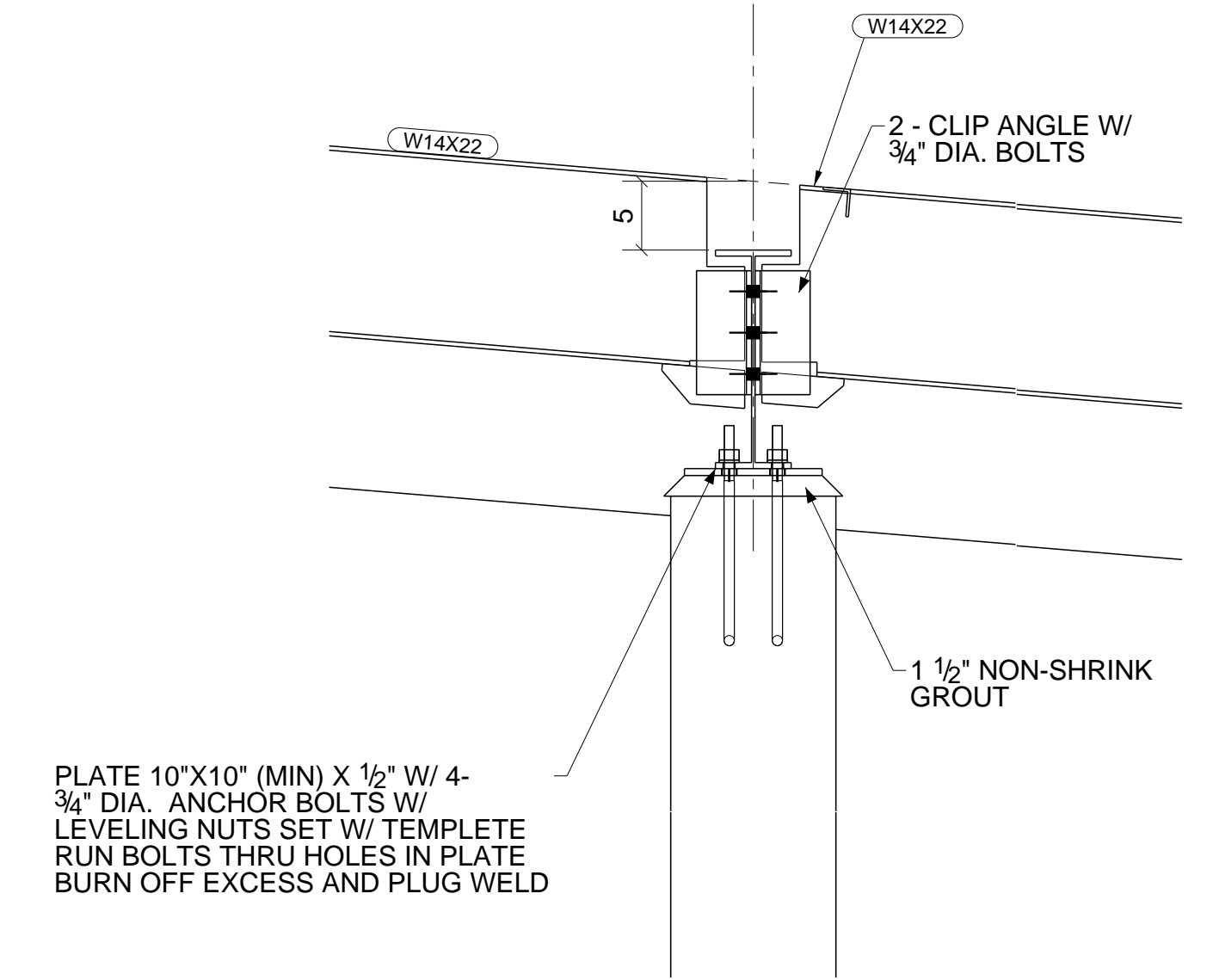
1 TYP CMU WALL TO STEEL BM
2/S-1.2



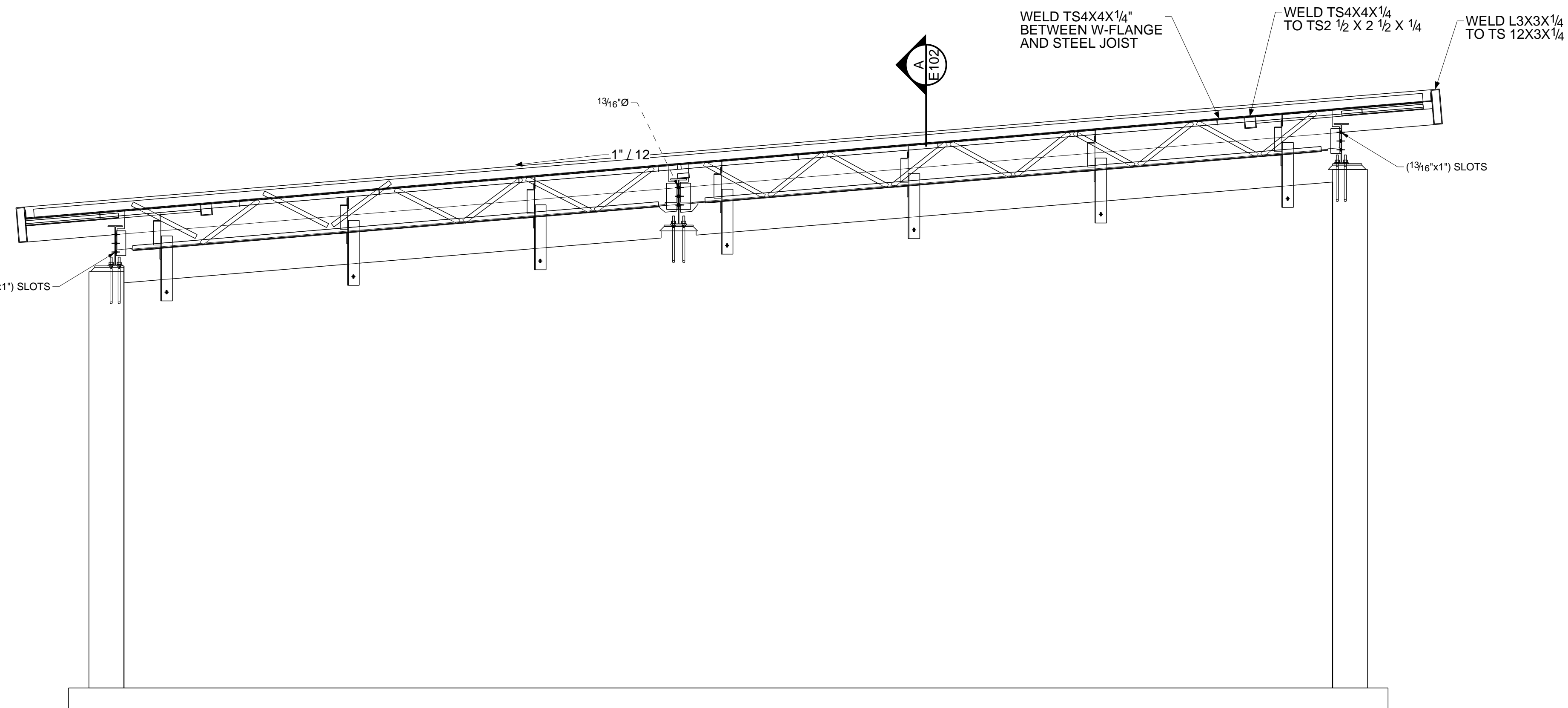
2 TYP CMU WALL TO STEEL BM
BOTTOM DETAIL
REF: S-2.1



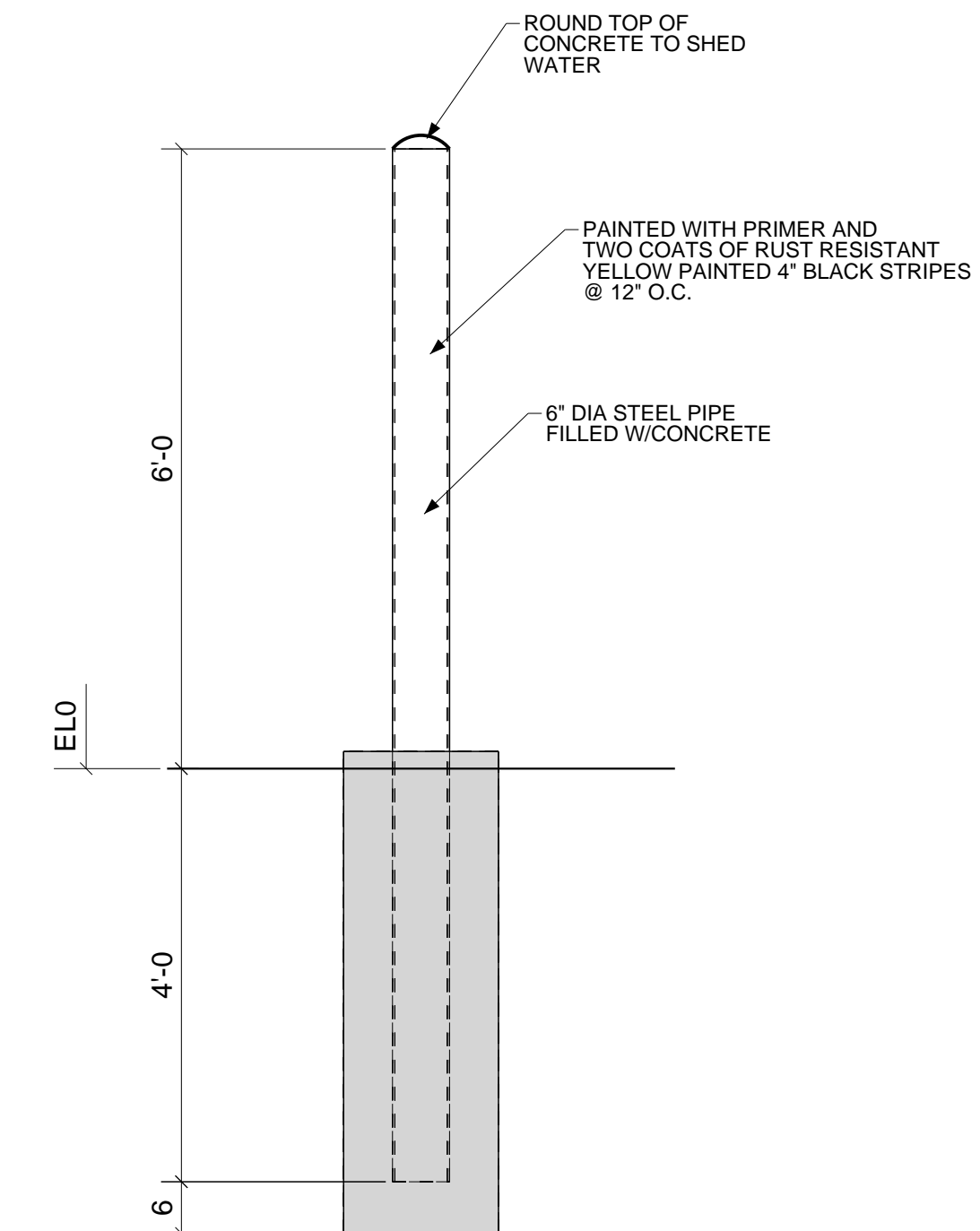
3 ROOF FRAMING PLAN
REF: S-2.1



5 TYPICAL BEAM TO BEAM CONNECTION
REF: 3/S-1.1

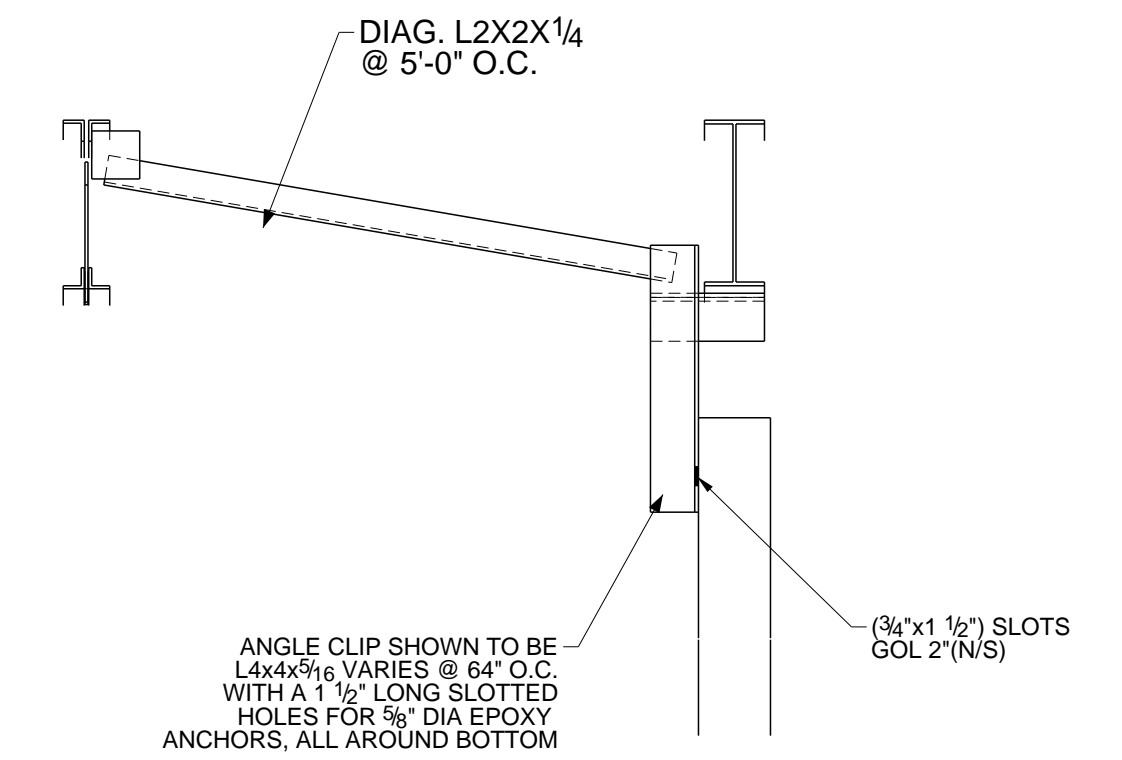


4 SECTION VIEW
REF: 1/S3-1



X TYP PIPE BOLLARD (30 - REQ'D)
REF: 9/C8.1

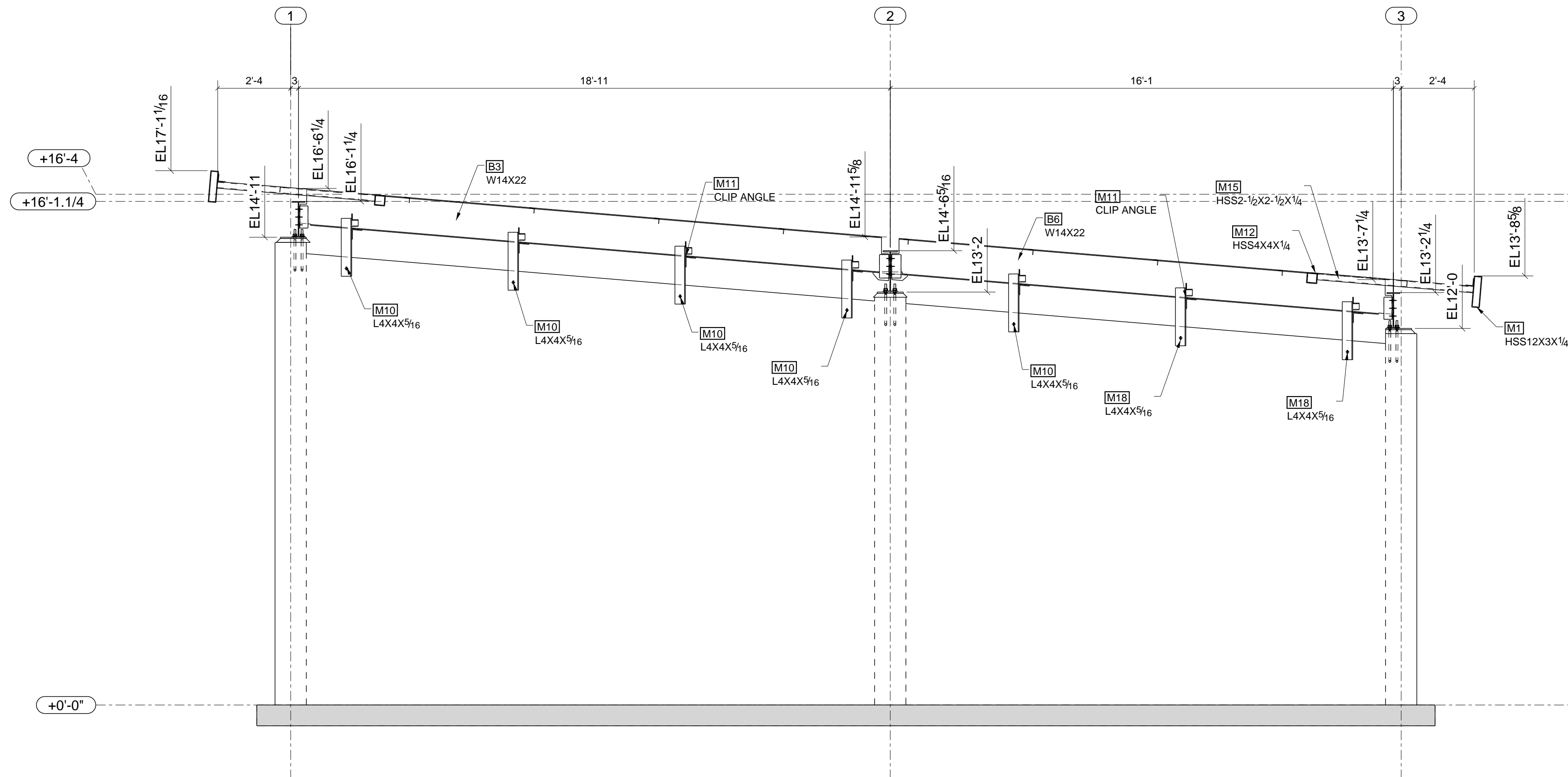
NOTE:
COORDINATE WITH G.C. FOR LOCATIONS



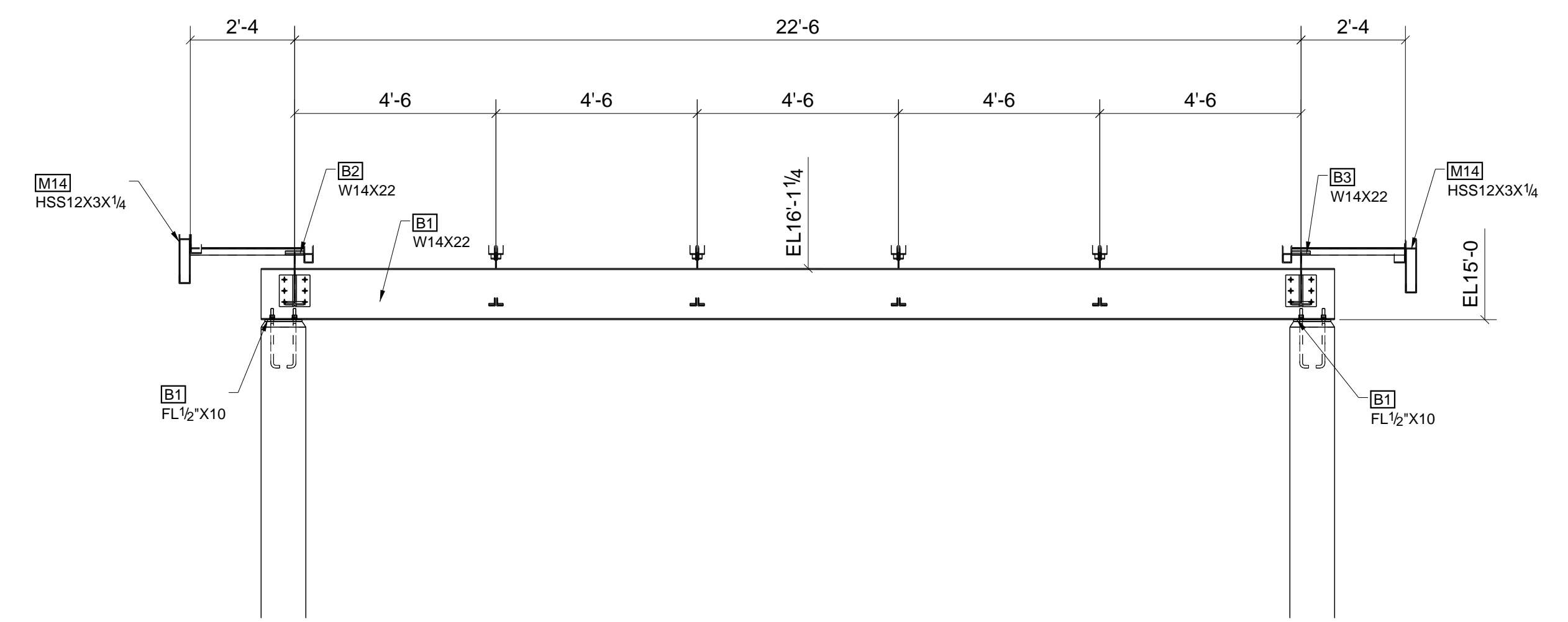
A TYP CMU WALL TO STEEL BM
BOTTOM BM
REF: 5/S-2.1

2	RELEASE FOR FABRICATION	12/25/2023
1	RELEASE FOR FABRICATION	11/29/2023
A	SENT FOR APPROVAL	09/29/2023
REV	DESCRIPTION	DATE

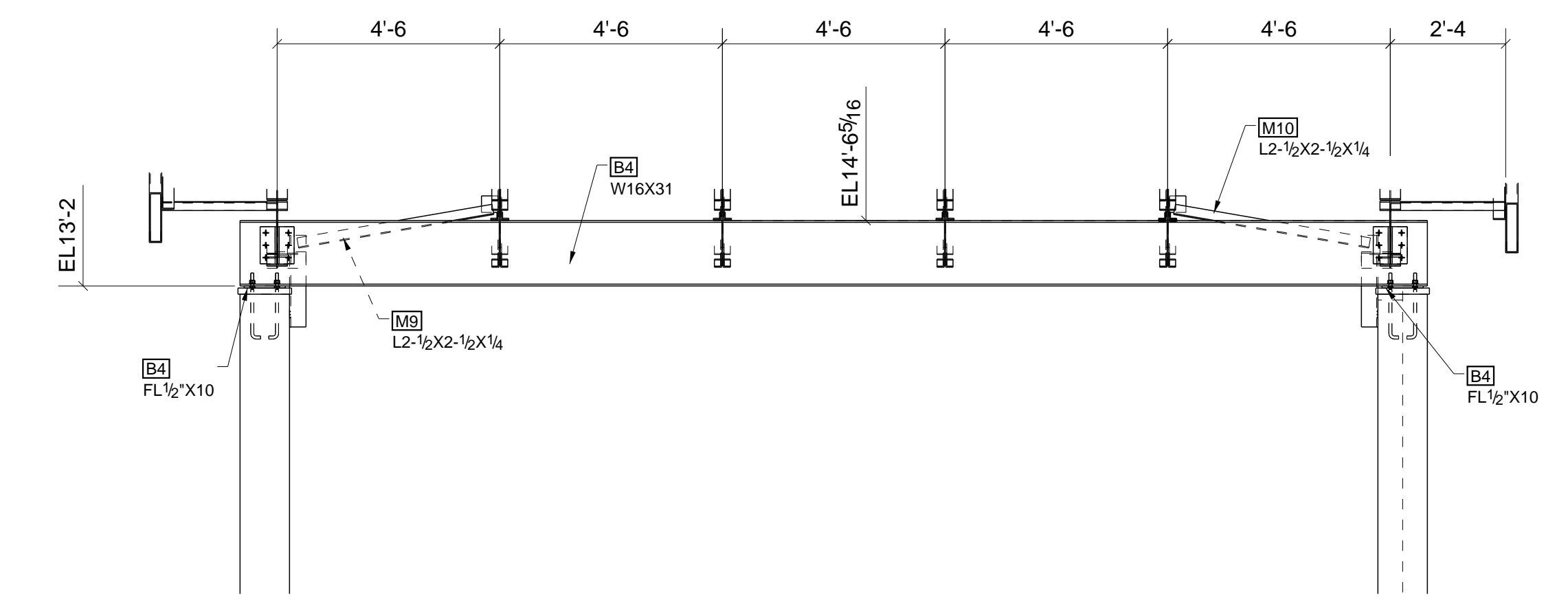
Danco Construction Incorporated			
7303 HWY 90 E SEGUIN, TEXAS 78155			
DESCRIPTION	ELEVATION, SECTION & DETAIL VIEWS		
PROJECT NAME	AQUATIC LEARNING CENTER		
DRAWN BY	DW	JOB No.	DRG No.
DATE DRAWN	10/31/2023	4868	E102



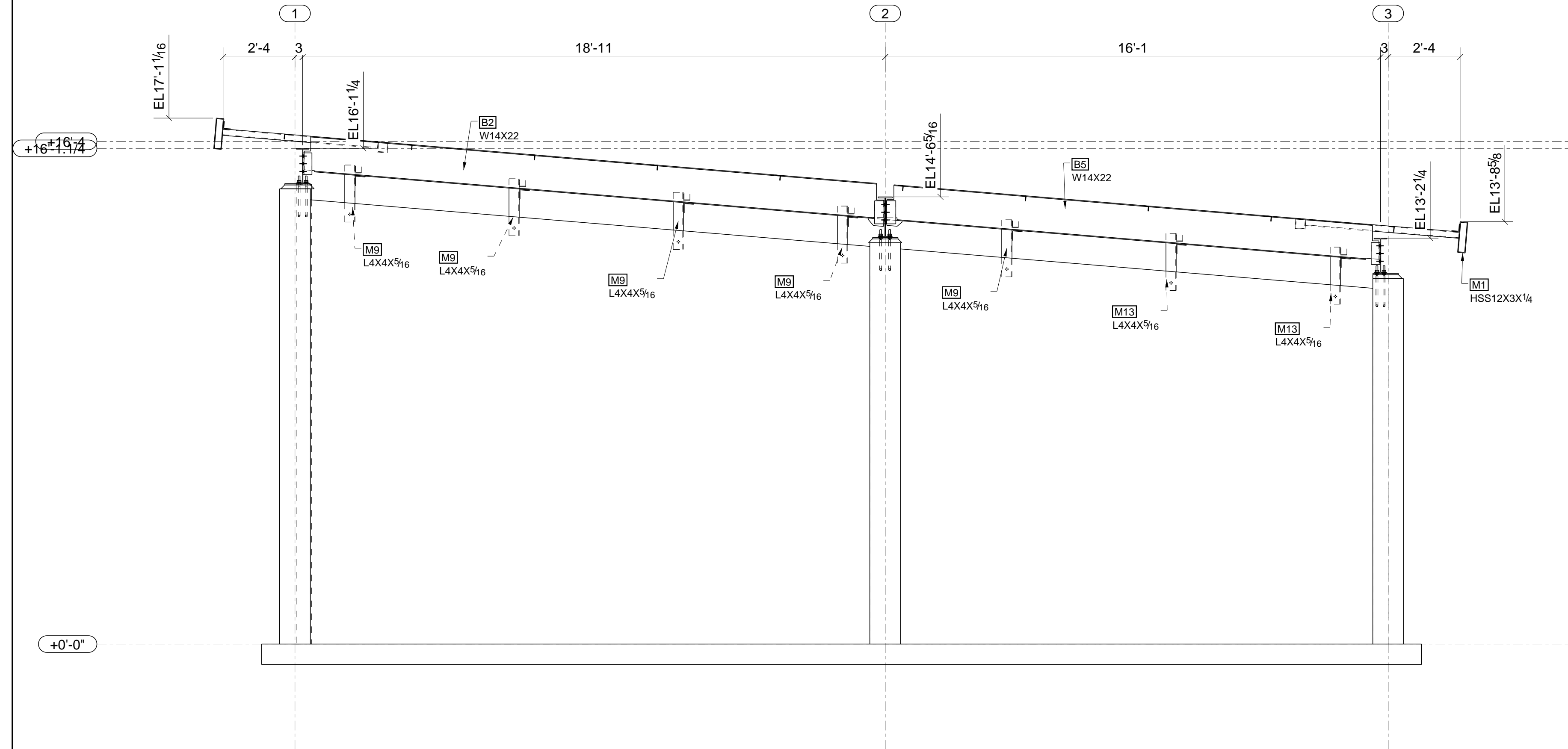
A ENLARGED SECTION VIEW
REF: S-2.1



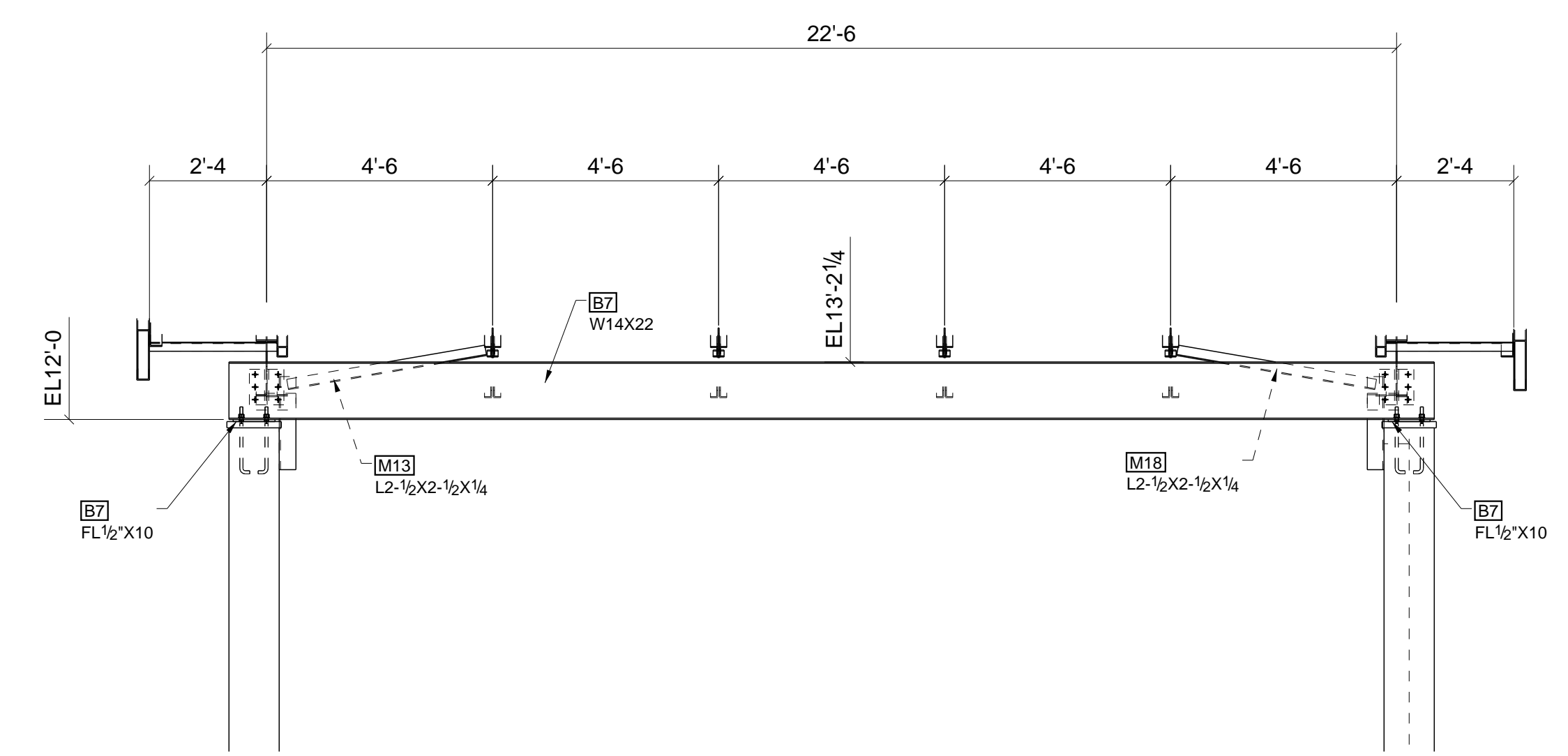
C ENLARGED SECTION VIEW
REF: S-2.1



D ENLARGED SECTION VIEW
REF: S-2.1

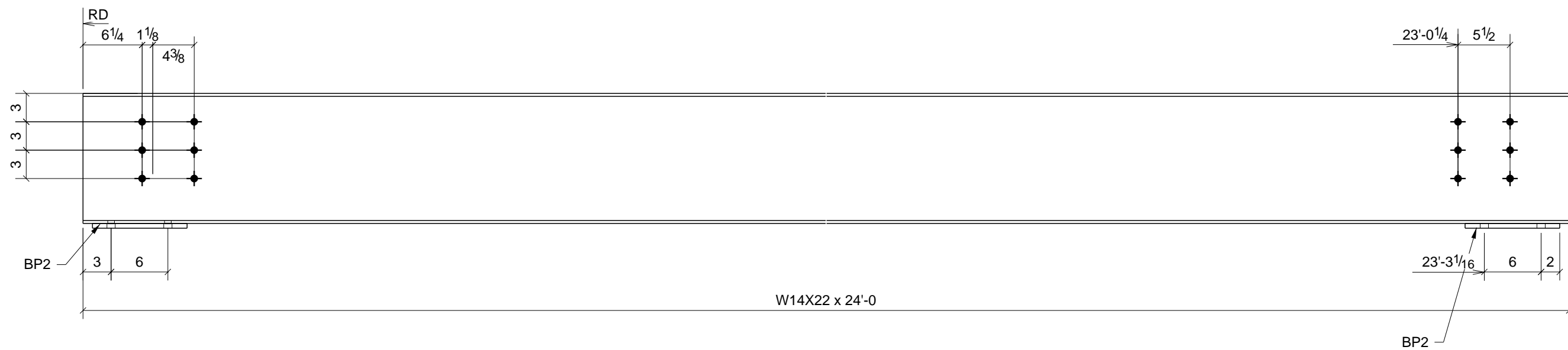


B ENLARGED SECTION VIEW
REF: S-2.1



E ENLARGED SECTION VIEW
REF: S-2.1

2	RELEASE FOR FABRICATION	12/25/2023
1	RELEASE FOR FABRICATION	11/29/2023
REV	DESCRIPTION	DATE
Danco Construction Incorporated		
7303 HWY 90 E SEGUIN, TEXAS 78155		
DESCRIPTION	AQUATIC LEARNING CENTER	
PROJECT NAME	AQUATIC LEARNING CENTER	
DRAWN BY	DW	JOB No. 4868
DATE DRAWN	12/25/2023	DRG No. E103

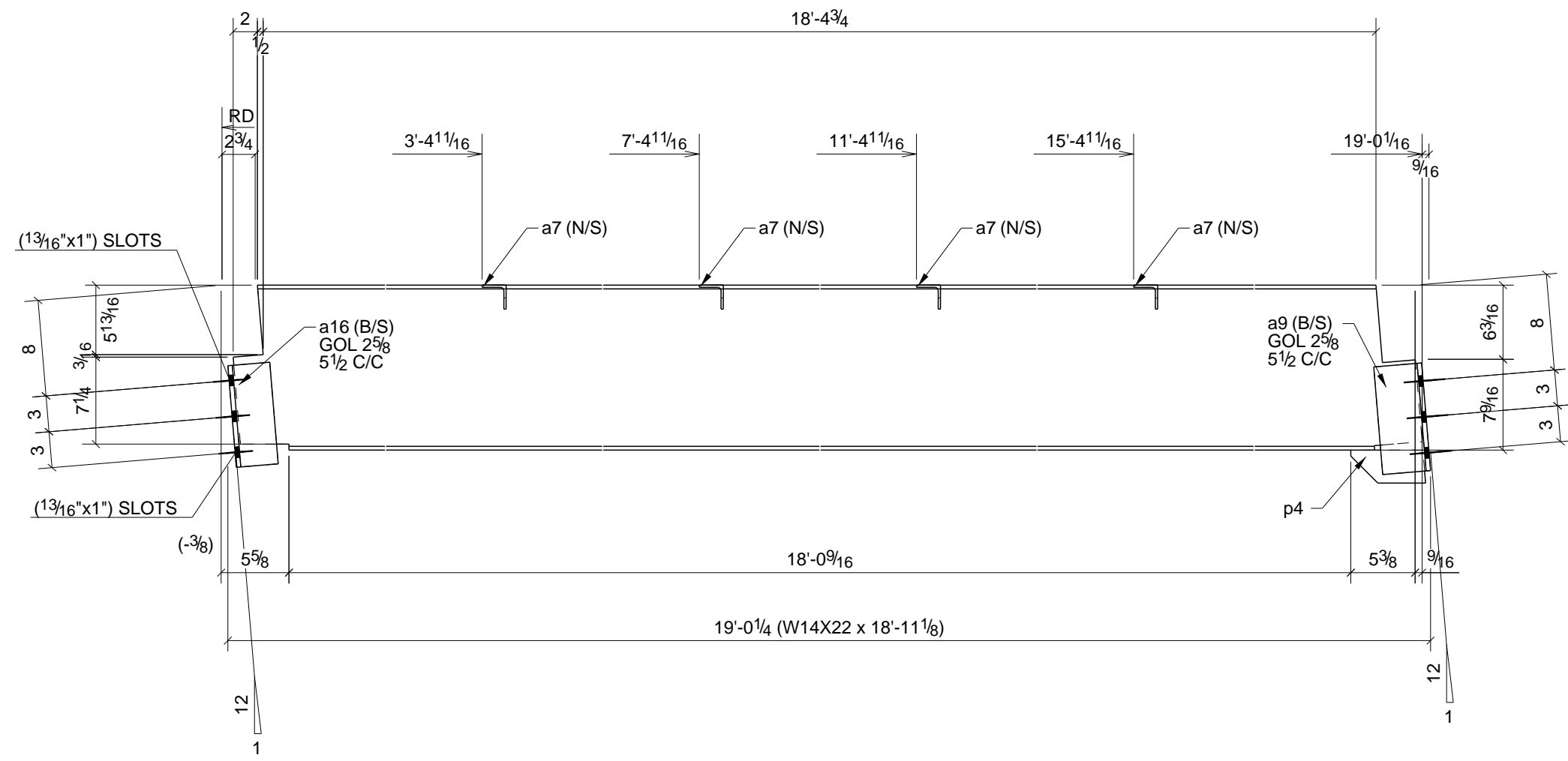


ONE - BEAM - B1

BILL OF MATERIAL

MARK	QTY	DESCRIPTION	LENGTH	WEIGHT	REMARKS
B1	1	BEAM			SQ-2
B1	1	W14X22	24'-0"	530	SHOP PRIMER A992
BP2	2	FL1/2"X10"	0'-10"	28	A36
TOTAL WEIGHT THIS DRAWING				558	

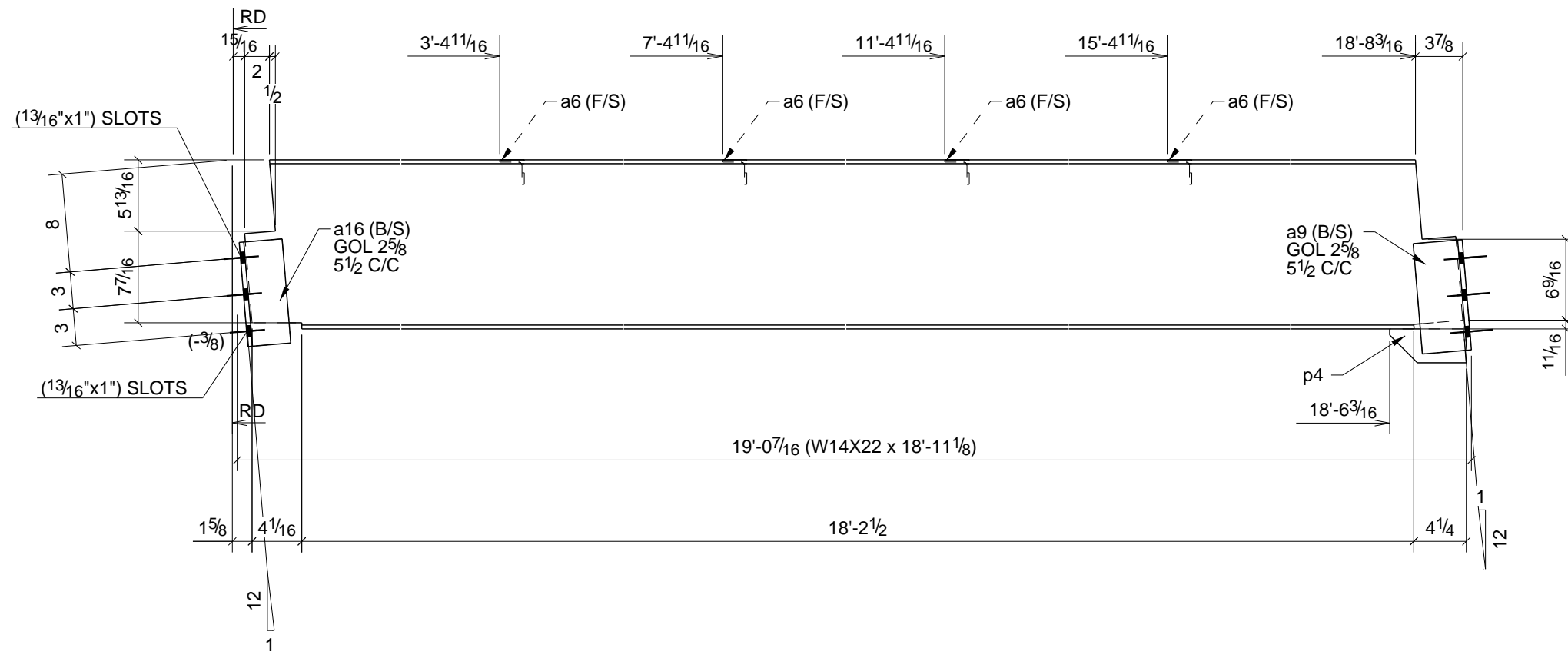
2	RELEASED FOR FABRICATION	12/25/2023
REV	DESCRIPTION	DATE
Danco Construction Incorporated 7303 HWY 90 E SEGUIN, TEXAS 78155		
DESCRIPTION	BEAM	
PROJECT NAME	AQUATIC LEARNING CENTER	
DRAWN BY	JOB No.	DRG No.
DATE DRAWN	4868	B1
12/25/2023		



ONE - BEAM - B2

BILL OF MATERIAL						2	RELEASED FOR FABRICATION	12/25/2023
MARK	QTY	DESCRIPTION	LENGTH	WEIGHT	REMARKS	REV	DESCRIPTION	DATE
B2	1	BEAM			SQ-1/BEV-1			
B2	1	W14X22	18'-11 1/8"	418	SHOP PRIMER A992			
a7	4	L2X2X3/16	2'-3 7/8"	23	SHOP PRIMER A36			
a9	2	L4X4X3/8	0'-9"	15	A36			
a16	2	L4X3-1/2X3/8	0'-8 1/2"	13	A36			
p4	1	FL1/4"X2 3/4"	0'-6 1/4"	1	A36			
TOTAL WEIGHT THIS DRAWING				469				

<p align="center">Danco Construction Incorporated 7303 HWY 90 E SEGUIN, TEXAS 78155</p>		DESCRIPTION	BEAM
		PROJECT NAME	AQUATIC LEARNING CENTER
DRAWN BY		JOB No.	4868
DATE DRAWN	12/25/2023	DRG No.	B2

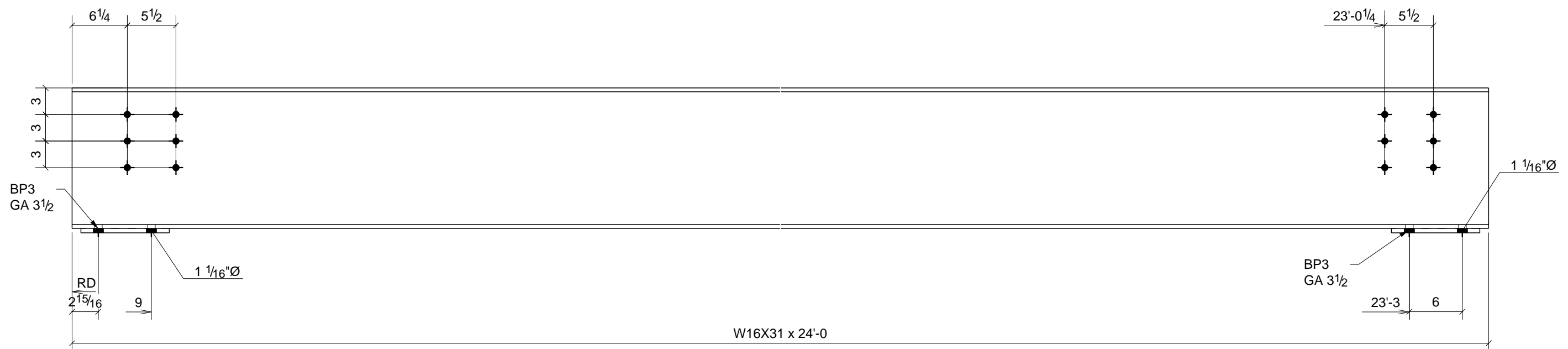


ONE - BEAM - B3

BILL OF MATERIAL

MARK	QTY	DESCRIPTION	LENGTH	WEIGHT	REMARKS
B3	1	BEAM			SQ-1/BEV-1
B3	1	W14X22	18'-11 1/8"	418	SHOP PRIMER A992
a6	4	L2X2X3/16	2'-3 7/8"	23	SHOP PRIMER A36
a9	2	L4X4X3/8	0'-9"	15	A36
a16	2	L4X3-1/2X3/8	0'-8 1/2"	13	A36
p4	1	FL1/4"X2 3/4"	0'-6 1/4"	1	A36
TOTAL WEIGHT THIS DRAWING				469	

2	RELEASED FOR FABRICATION	12/25/2023
REV	DESCRIPTION	DATE
Danco Construction Incorporated 7303 HWY 90 E SEGUIN, TEXAS 78155		
DESCRIPTION	BEAM	
PROJECT NAME	AQUATIC LEARNING CENTER	
DRAWN BY		JOB No.
DATE DRAWN	12/25/2023	4868
		DRG No.
		B3

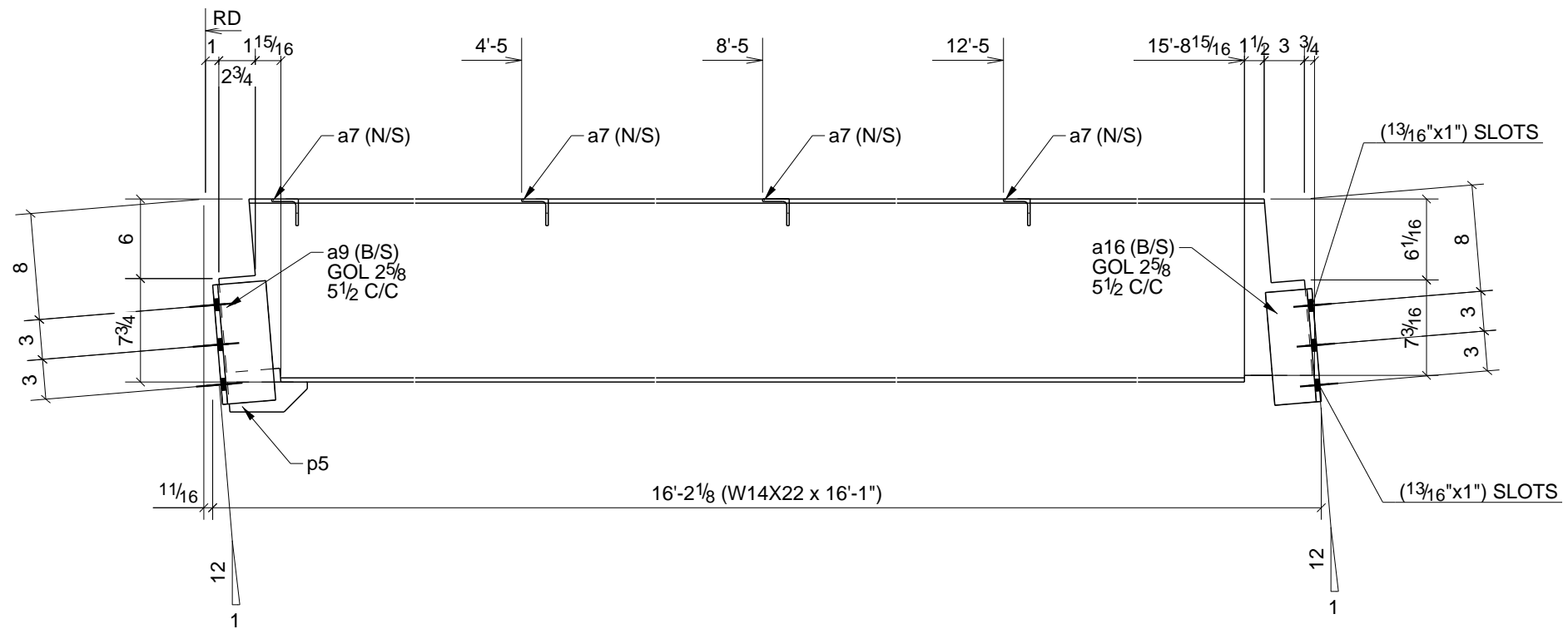


ONE - BEAM - B4

BILL OF MATERIAL

MARK	QTY	DESCRIPTION	LENGTH	WEIGHT	REMARKS
B4	1	BEAM			SQ-2
B4	1	W16X31	24'-0"	746	SHOP PRIMER A992
BP3	2	FL1/2"X10"	0'-10"	28	A36
TOTAL WEIGHT THIS DRAWING				774	

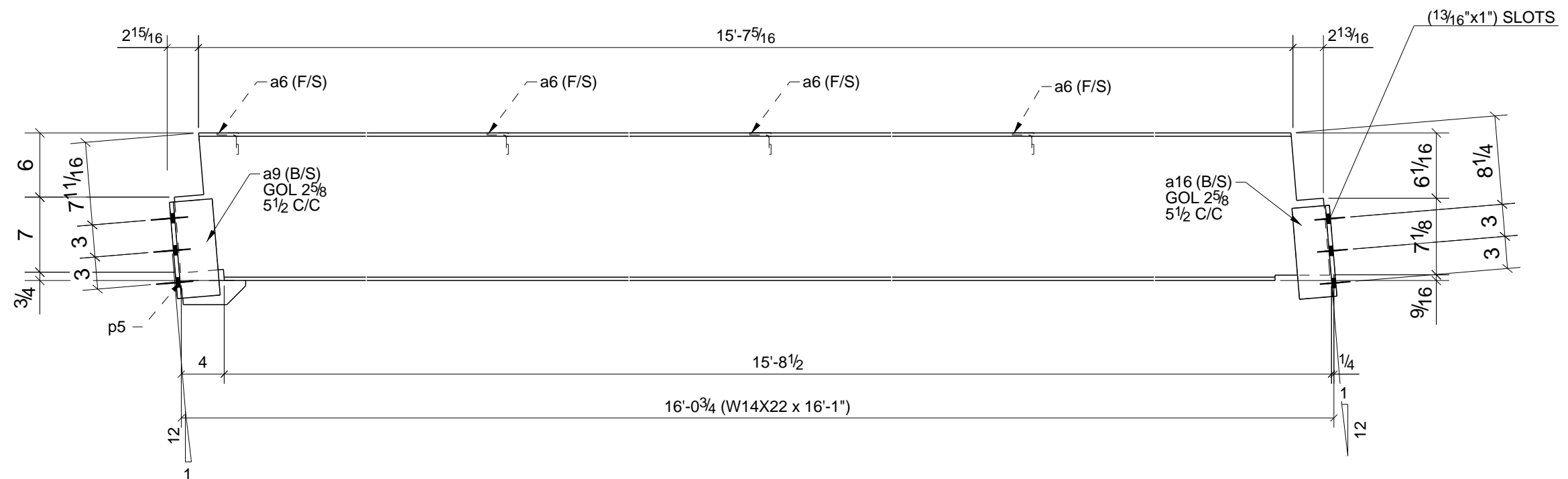
2	RELEASED FOR FABRICATION	12/25/2023
REV	DESCRIPTION	DATE
Danco Construction Incorporated 7303 HWY 90 E SEGUIN, TEXAS 78155		
DESCRIPTION	BEAM	
PROJECT NAME	AQUATIC LEARNING CENTER	
DRAWN BY	JOB No.	DRG No.
DATE DRAWN	4868	B4



ONE - BEAM - B5

BILL OF MATERIAL

MARK	QTY	DESCRIPTION	LENGTH	WEIGHT	REMARKS	REV	DESCRIPTION	DATE	
B5	1	BEAM			BEV-2	2	RELEASED FOR FABRICATION	12/25/2023	
B5	1	W14X22	16'-1"	355	SHOP PRIMER A992				
a7	4	L2X2X3/16	2'-3 7/8"	23	SHOP PRIMER A36				
a9	2	L4X4X3/8	0'-9"	15	A36				
a16	2	L4X3-1/2X3/8	0'-8 1/2"	13	A36				
p5	1	FL1/4"X2 1/4"	0'-6"	1	A36				
TOTAL WEIGHT THIS DRAWING				406					
<p>Danco Construction Incorporated 7303 HWY 90 E SEGUIN, TEXAS 78155</p>						DESCRIPTION	BEAM		
						PROJECT NAME	AQUATIC LEARNING CENTER		
						DRAWN BY		JOB No.	4868
						DATE DRAWN	12/25/2023	DRG No.	B5

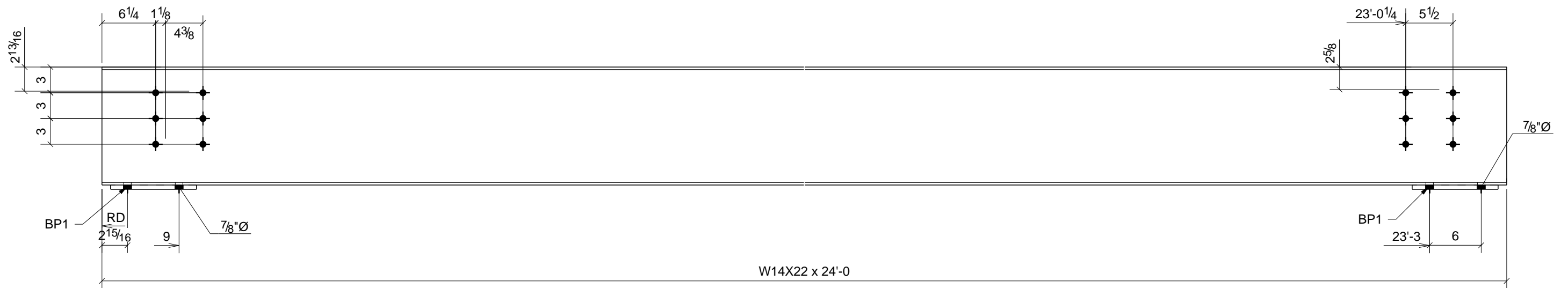


ONE - BEAM - B6

BILL OF MATERIAL

MARK	QTY	DESCRIPTION	LENGTH	WEIGHT	REMARKS	REV	DESCRIPTION	DATE
B6	1	BEAM			BEV-2	2	RELEASED FOR FABRICATION	12/25/2023
B6	1	W14X22	16'-1"	355	SHOP PRIMER A992			
a6	4	L2X2X3/16	2'-3 7/8"	23	SHOP PRIMER A36			
a9	2	L4X4X3/8	0'-9"	15	A36			
a16	2	L4X3-1/2X3/8	0'-8 1/2"	13	A36			
p5	1	FL1/4"X2 1/4"	0'-6"	1	A36			
TOTAL WEIGHT THIS DRAWING				406				

Danco Construction Incorporated	
7303 HWY 90 E SEGUIN, TEXAS 78155	
DESCRIPTION	BEAM
PROJECT NAME	AQUATIC LEARNING CENTER
DRAWN BY	
DATE DRAWN	12/25/2023
JOB No.	4868
DRG No.	B6

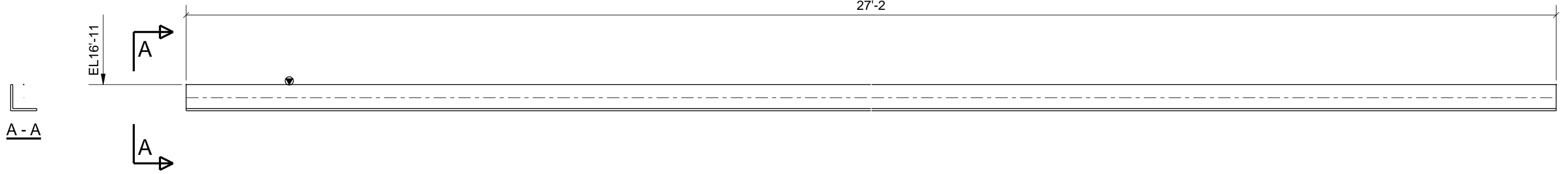


ONE - BEAM - B7

BILL OF MATERIAL

MARK	QTY	DESCRIPTION	LENGTH	WEIGHT	REMARKS
B7	1	BEAM			SQ-2
B7	1	W14X22	24'-0"	530	SHOP PRIMER A992
BP1	2	FL1/2"X10"	0'-10"	28	A36
TOTAL WEIGHT THIS DRAWING				558	

2	RELEASED FOR FABRICATION	12/25/2023
REV	DESCRIPTION	DATE
Danco Construction Incorporated		
7303 HWY 90 E SEGUIN, TEXAS 78155		
DESCRIPTION	BEAM	
PROJECT NAME	AQUATIC LEARNING CENTER	
DRAWN BY		JOB No.
DATE DRAWN	12/25/2023	4868
		DRG No.
		B7

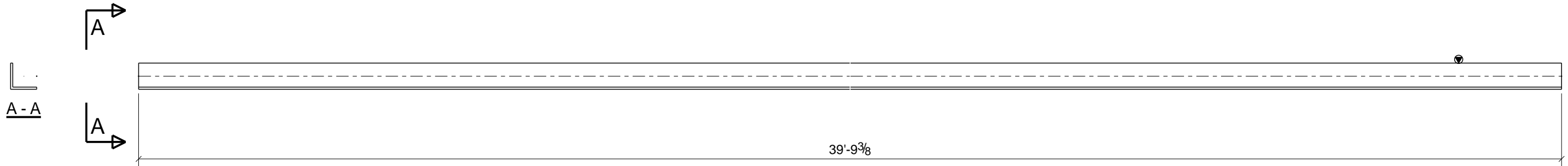


2 - DECK ANGLES - DA1

BILL OF MATERIAL

MARK	QTY	DESCRIPTION	LENGTH	WEIGHT	REMARKS
DA1	2	DECK ANGLES			SQ-2
DA1	2	L3X3X1/4	27'-2"	266	SHOP PRIMER A36
TOTAL WEIGHT THIS DRAWING				266	

2	RELEASED FOR FABRICATION	12/25/2023
REV	DESCRIPTION	DATE
Danco Construction Incorporated 7303 HWY 90 E SEGUIN, TEXAS 78155		
DESCRIPTION	STANDARD	
PROJECT NAME	AQUATIC LEARNING CENTER	
DRAWN BY		JOB No. 4868
DATE DRAWN	12/25/2023	DRG No. DA1



2 - DECK ANGLES - DA2

BILL OF MATERIAL

MARK	QTY	DESCRIPTION	LENGTH	WEIGHT	REMARKS	DESCRIPTION	STANDARD
DA2	2	DECK ANGLES			SQ-2	PROJECT NAME	AQUATIC LEARNING CENTER
DA2	2	L3X3X1/4	39'-9 3/8"	390	SHOP PRIMER A36	DRAWN BY	
TOTAL WEIGHT THIS DRAWING				390		DATE DRAWN	12/25/2023

REV	DESCRIPTION	DATE
2	RELEASED FOR FABRICATION	12/25/2023

Danco Construction Incorporated

7303 HWY 90 E
SEGUIN, TEXAS 78155

JOB No.	4868	DRG No.	DA2
---------	------	---------	-----

HSS12X3X¹/₄ x 27'-8"

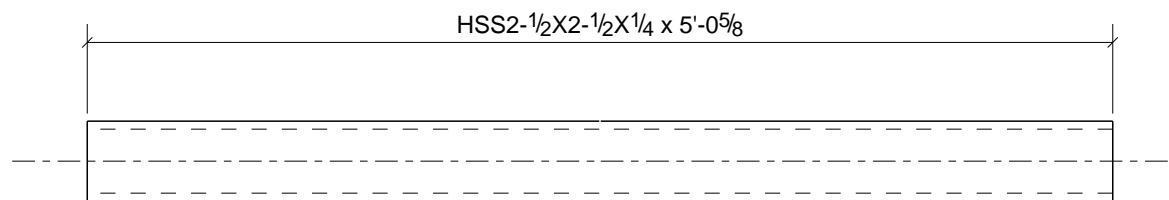


2 - OUTLOOKERSES - M1

BILL OF MATERIAL

MARK	QTY	DESCRIPTION	LENGTH	WEIGHT	REMARKS
M1	2	OUTLOOKERSES			SQ-2
M1	2	HSS12X3X1/4	27'-8"	1248	SHOP PRIMER A500-GR.B
TOTAL WEIGHT THIS DRAWING				1248	

2	RELEASED FOR FABRICATION	12/25/2023
REV	DESCRIPTION	DATE
Danco Construction Incorporated		
7303 HWY 90 E SEGUIN, TEXAS 78155		
DESCRIPTION	HSS BRACE	
PROJECT NAME	AQUATIC LEARNING CENTER	
DRAWN BY		JOB No. 4868
DATE DRAWN	12/25/2023	DRG No. M1



ONE - KICKBACK - M2

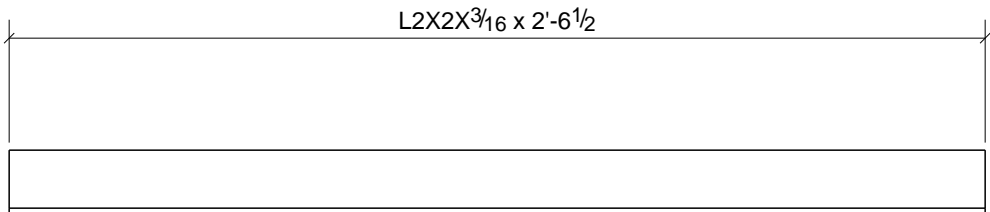
BILL OF MATERIAL

MARK	QTY	DESCRIPTION	LENGTH	WEIGHT	REMARKS	DESCRIPTION	HSS BRACE	JOB No.	DRG No.
M2	1	KICKBACK			SQ-2	PROJECT NAME	AQUATIC LEARNING CENTER	4868	M2
M2	1	HSS2-1/2X2-1/2X1/4	5'-0 5/8"	34	SHOP PRIMER A36	DRAWN BY			
TOTAL WEIGHT THIS DRAWING				34		DATE DRAWN	12/25/2023		

2	RELEASED FOR FABRICATION	12/25/2023
REV	DESCRIPTION	DATE

Danco Construction Incorporated

7303 HWY 90 E
SEGUIN, TEXAS 78155

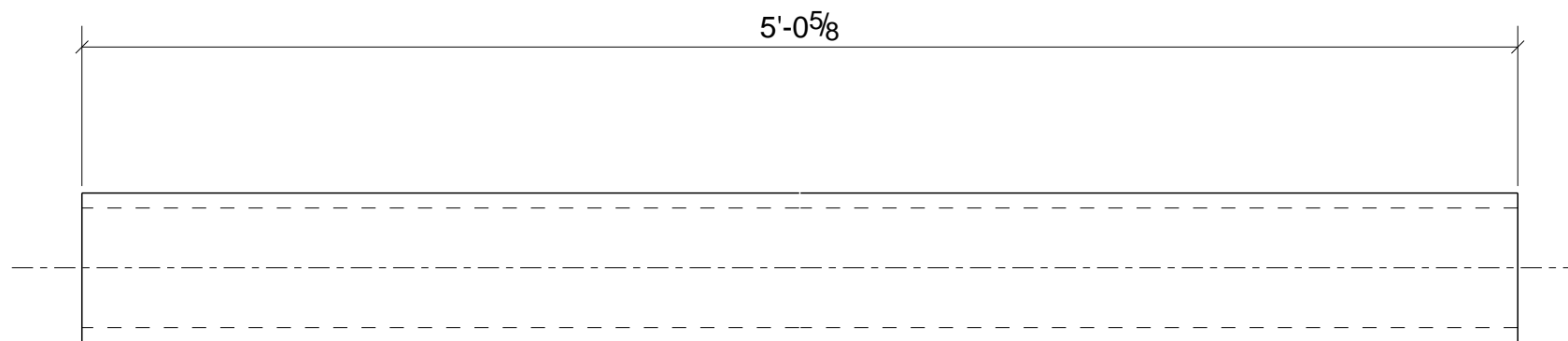


4 - OUTLOOKERSES - M3

BILL OF MATERIAL

MARK	QTY	DESCRIPTION	LENGTH	WEIGHT	REMARKS
M3	4	OUTLOOKERSES			SQ-2
M3	4	L2X2X3/16	2'-6 1/2"	25	SHOP PRIMER A36
TOTAL WEIGHT THIS DRAWING				25	

2	RELEASED FOR FABRICATION	12/25/2023
REV	DESCRIPTION	DATE
Danco Construction Incorporated		
7303 HWY 90 E SEGUIN, TEXAS 78155		
DESCRIPTION	ANGLE BRACE	
PROJECT NAME	AQUATIC LEARNING CENTER	
DRAWN BY		JOB No. 4868
DATE DRAWN	12/25/2023	DRG No. M3



ONE - KICKBACK - M7

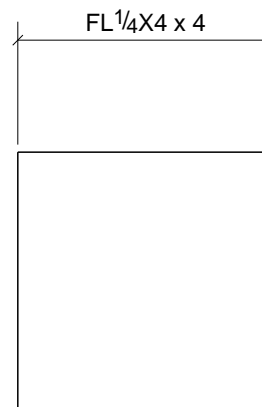
BILL OF MATERIAL

MARK	QTY	DESCRIPTION	LENGTH	WEIGHT	REMARKS	DESCRIPTION	HSS BRACE	JOB No.	DRG No.
M7	1	KICKBACK			SQ-2	PROJECT NAME	AQUATIC LEARNING CENTER		
M7	1	HSS2-1/2X2-1/2X1/4	5'-0 5/8"	34	SHOP PRIMER A36	DRAWN BY		4868	M7
TOTAL WEIGHT THIS DRAWING				34		DATE DRAWN	12/25/2023		

2	RELEASED FOR FABRICATION	12/25/2023
REV	DESCRIPTION	DATE

Danco Construction Incorporated

7303 HWY 90 E
SEGUIN, TEXAS 78155



12 - PLATES - M8

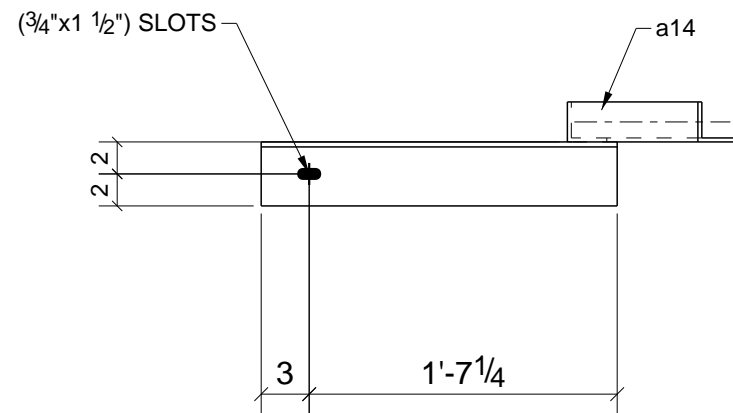
BILL OF MATERIAL

MARK	QTY	DESCRIPTION	LENGTH	WEIGHT	REMARKS	DESCRIPTION	BRACE	JOB No.	DRG No.
M8	12	PLATES			SQ-2	PROJECT NAME	AQUATIC LEARNING CENTER		
M8	12	FL1/4"X4"	0'-4"	14	SHOP PRIMER A36	DRAWN BY	DW	4868	M8
TOTAL WEIGHT THIS DRAWING				14		DATE DRAWN	12/25/2023		

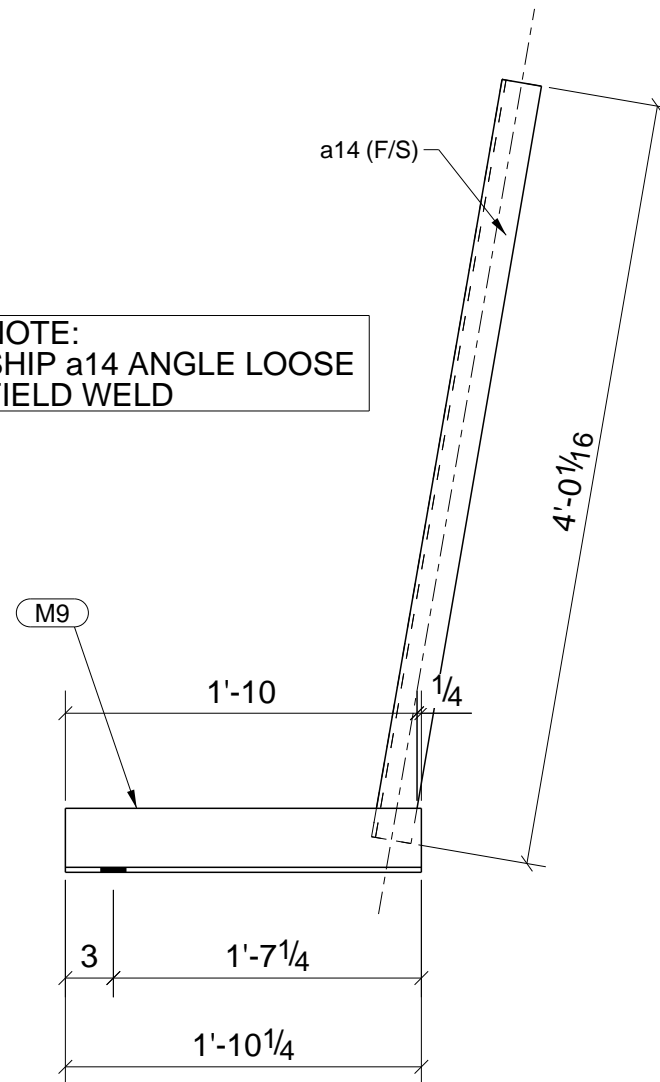
2	RELEASED FOR FABRICATION	12/25/2023
REV	DESCRIPTION	DATE

Danco Construction Incorporated

7303 HWY 90 E
 SEGUIN, TEXAS 78155



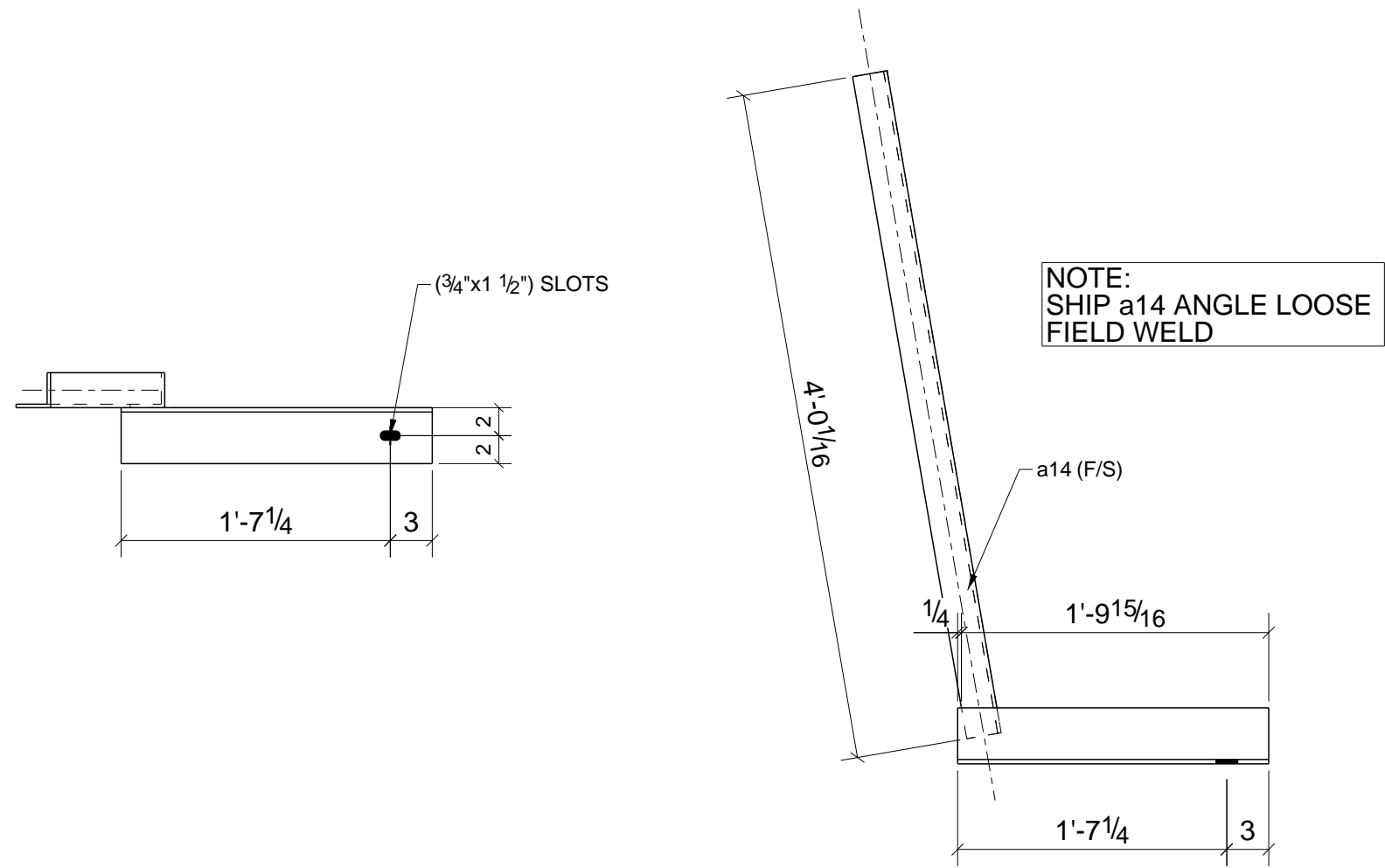
NOTE:
SHIP a14 ANGLE LOOSE
FIELD WELD



5 - CLIP ANGLES - M9

BILL OF MATERIAL					
MARK	QTY	DESCRIPTION	LENGTH	WEIGHT	REMARKS
M9	5	CLIP ANGLES			SQ-2
M9	5	L4X4X5/16	1'-10 1/4"	76	SHOP PRIMER A36
a14	5	L2-1/2X2-1/2X1/4	4'-0 1/16"	81	SHOP PRIMER A36
TOTAL WEIGHT THIS DRAWING				157	

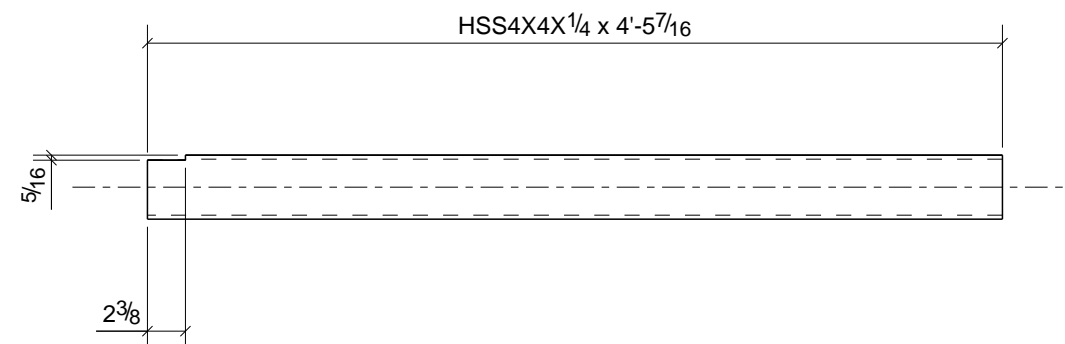
2	RELEASED FOR FABRICATION	12/25/2023
REV	DESCRIPTION	DATE
Danco Construction Incorporated 7303 HWY 90 E SEGUIN, TEXAS 78155		
DESCRIPTION	BRACE	
PROJECT NAME	AQUATIC LEARNING CENTER	
DRAWN BY		JOB No. 4868
DATE DRAWN	12/25/2023	DRG No. M9



5 - CLIP ANGLES - M10

BILL OF MATERIAL					
MARK	QTY	DESCRIPTION	LENGTH	WEIGHT	REMARKS
M10	5	CLIP ANGLES			SQ-2
M10	5	L4X4X5/16	1'-10 1/4"	76	SHOP PRIMER A36
a14	5	L2-1/2X2-1/2X1/4	4'-0 1/16"	81	SHOP PRIMER A36
TOTAL WEIGHT THIS DRAWING				157	

2	RELEASED FOR FABRICATION	12/25/2023
REV	DESCRIPTION	DATE
Danco Construction Incorporated 7303 HWY 90 E SEGUIN, TEXAS 78155		
DESCRIPTION	BRACE	
PROJECT NAME	AQUATIC LEARNING CENTER	
DRAWN BY		JOB No. 4868
DATE DRAWN	12/25/2023	DRG No. M10



4 - KICKBACKS - M12

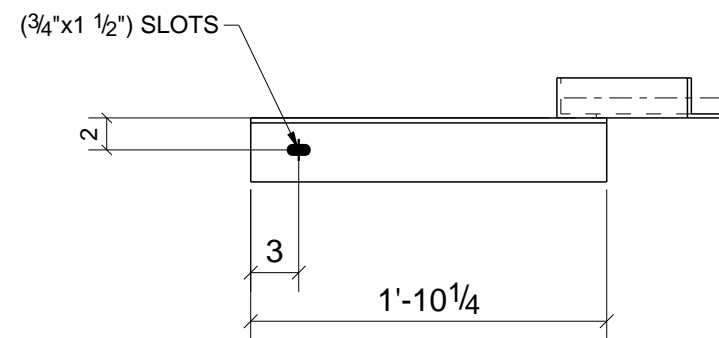
BILL OF MATERIAL

MARK	QTY	DESCRIPTION	LENGTH	WEIGHT	REMARKS	DESCRIPTION	HSS BRACE	JOB No.	DRG No.
M12	4	KICKBACKS			SQ-2	PROJECT NAME	AQUATIC LEARNING CENTER		
M12	4	HSS4X4X1/4	4'-5 7/16"	204	SHOP PRIMER A500-GR.B	DRAWN BY		4868	M12
TOTAL WEIGHT THIS DRAWING				204		DATE DRAWN	12/25/2023		

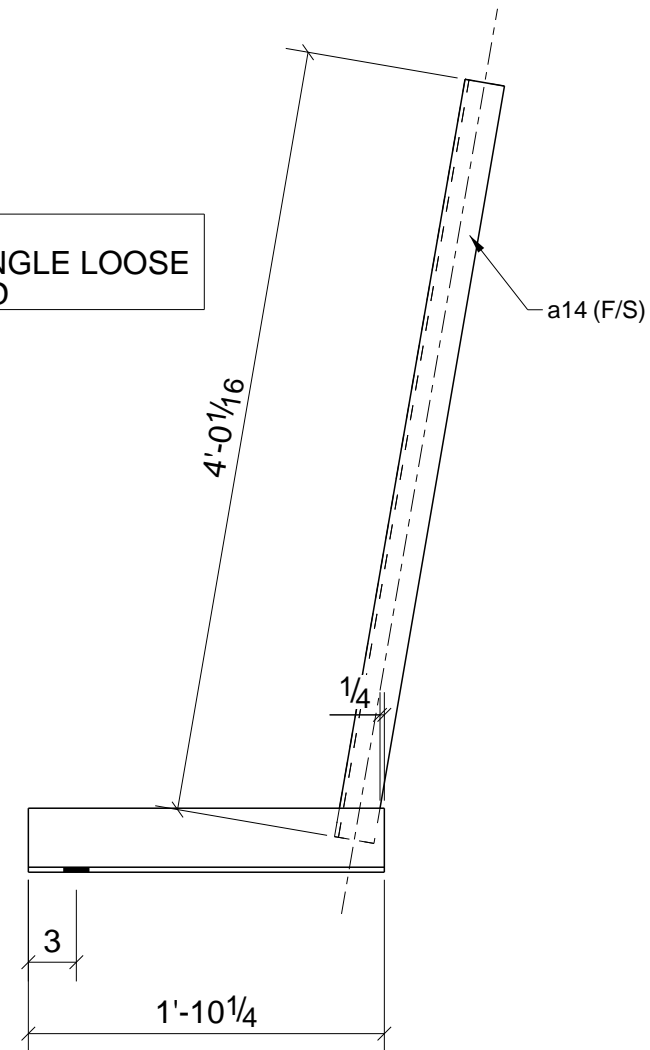
2	RELEASED FOR FABRICATION	12/25/2023
REV	DESCRIPTION	DATE

Danco Construction Incorporated

7303 HWY 90 E
SEGUIN, TEXAS 78155



NOTE:
SHIP a14 ANGLE LOOSE
FIELD WELD

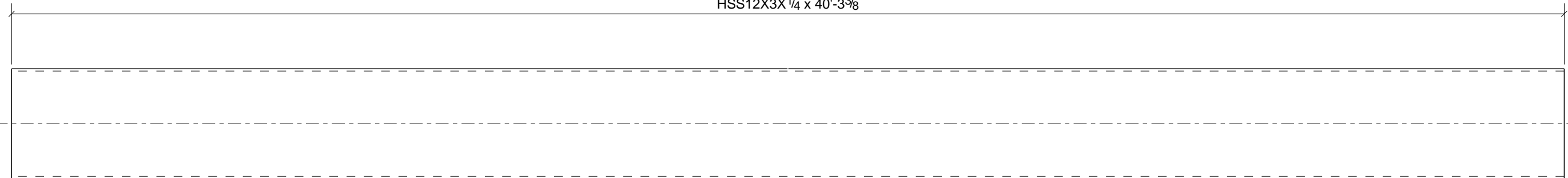


2 - CLIP ANGLES - M13

BILL OF MATERIAL					
MARK	QTY	DESCRIPTION	LENGTH	WEIGHT	REMARKS
M13	2	CLIP ANGLES			SQ-2
M13	2	L4X4X5/16	1'-10 1/4"	30	SHOP PRIMER A36
a14	2	L2-1/2X2-1/2X1/4	4'-0 1/16"	32	SHOP PRIMER A36
TOTAL WEIGHT THIS DRAWING				63	

2	RELEASED FOR FABRICATION	12/25/2023
REV	DESCRIPTION	DATE
Danco Construction Incorporated 7303 HWY 90 E SEGUIN, TEXAS 78155		
DESCRIPTION	BRACE	
PROJECT NAME	AQUATIC LEARNING CENTER	
DRAWN BY		JOB No.
DATE DRAWN	12/25/2023	4868
		DRG No.
		M13

HSS12X3X¹/₄ x 40'-3³/₈"

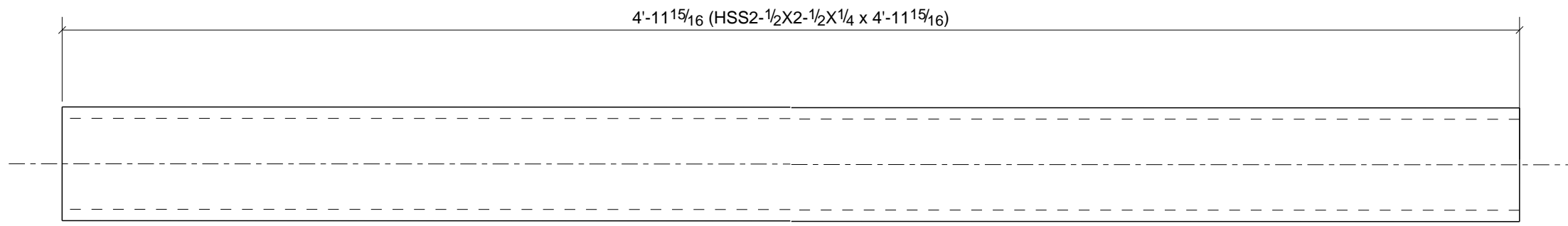


2 - OUTLOOKERSES - M14

BILL OF MATERIAL

MARK	QTY	DESCRIPTION	LENGTH	WEIGHT	REMARKS	DESCRIPTION		
M14	2	OUTLOOKERSES			SQ-2	Danco Construction Incorporated		
M14	2	HSS12X3X ¹ / ₄	40'-3 3/8"	1818	SHOP PRIMER A500-GR.B	7303 HWY 90 E SEGUIN, TEXAS 78155		
TOTAL WEIGHT THIS DRAWING				1818		HSS BRACE		
						PROJECT NAME	AQUATIC LEARNING CENTER	
						DRAWN BY		JOB No.
						DATE DRAWN	12/25/2023	4868
								DRG No.
								M14

2	RELEASED FOR FABRICATION	12/25/2023
REV	DESCRIPTION	DATE



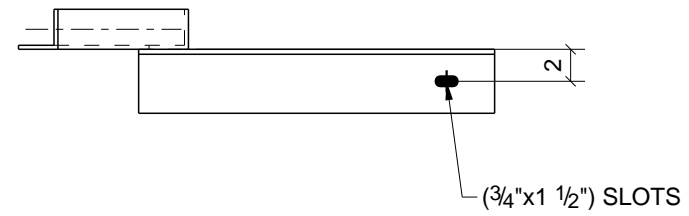
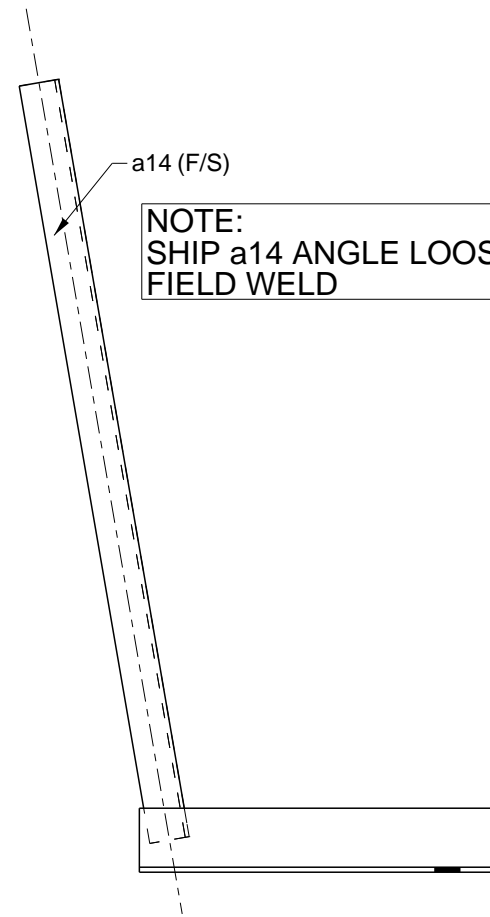
ONE - KICKBACK - M15

BILL OF MATERIAL

MARK	QTY	DESCRIPTION	LENGTH	WEIGHT	REMARKS	DESCRIPTION	HSS BRACE	JOB No.	DRG No.
M15	1	KICKBACK			SQ-2	PROJECT NAME	AQUATIC LEARNING CENTER	4868	M15
M15	1	HSS2-1/2X2-1/2X1/4	4'-11 15/16"	33	SHOP PRIMER A36	DRAWN BY			
TOTAL WEIGHT THIS DRAWING				33		DATE DRAWN	12/25/2023		

2	RELEASED FOR FABRICATION	12/25/2023
REV	DESCRIPTION	DATE

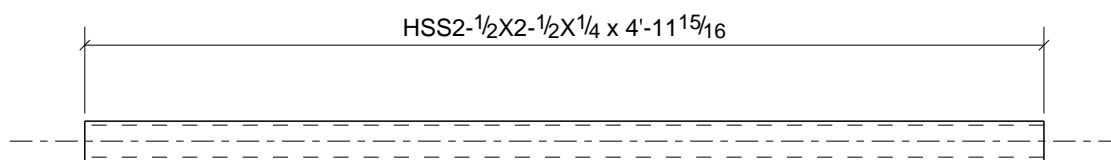
Danco Construction Incorporated
 7303 HWY 90 E
 SEGUIN, TEXAS 78155



2 - CLIP ANGLES - M18

BILL OF MATERIAL					
MARK	QTY	DESCRIPTION	LENGTH	WEIGHT	REMARKS
M18	2	CLIP ANGLES			SQ-2
M18	2	L4X4X5/16	1'-10 1/4"	30	SHOP PRIMER A36
a14	2	L2-1/2X2-1/2X1/4	4'-0 1/16"	32	SHOP PRIMER A36
TOTAL WEIGHT THIS DRAWING				63	

2	RELEASED FOR FABRICATION	12/25/2023
REV	DESCRIPTION	DATE
Danco Construction Incorporated 7303 HWY 90 E SEGUIN, TEXAS 78155		
DESCRIPTION	HSS BRACE	
PROJECT NAME	AQUATIC LEARNING CENTER	
DRAWN BY		JOB No. 4868
DATE DRAWN	12/25/2023	DRG No. M18



ONE - KICKBACK - M21

BILL OF MATERIAL

MARK	QTY	DESCRIPTION	LENGTH	WEIGHT	REMARKS	DESCRIPTION	HSS BRACE	JOB No.	DRG No.
M21	1	KICKBACK			SQ-2	PROJECT NAME	AQUATIC LEARNING CENTER	4868	M21
M21	1	HSS2-1/2X2-1/2X1/4	4'-11 15/16"	33	SHOP PRIMER A36	DRAWN BY			
TOTAL WEIGHT THIS DRAWING				33		DATE DRAWN	12/25/2023		

2	RELEASED FOR FABRICATION	12/25/2023
REV	DESCRIPTION	DATE

Danco Construction Incorporated

7303 HWY 90 E
SEGUIN, TEXAS 78155