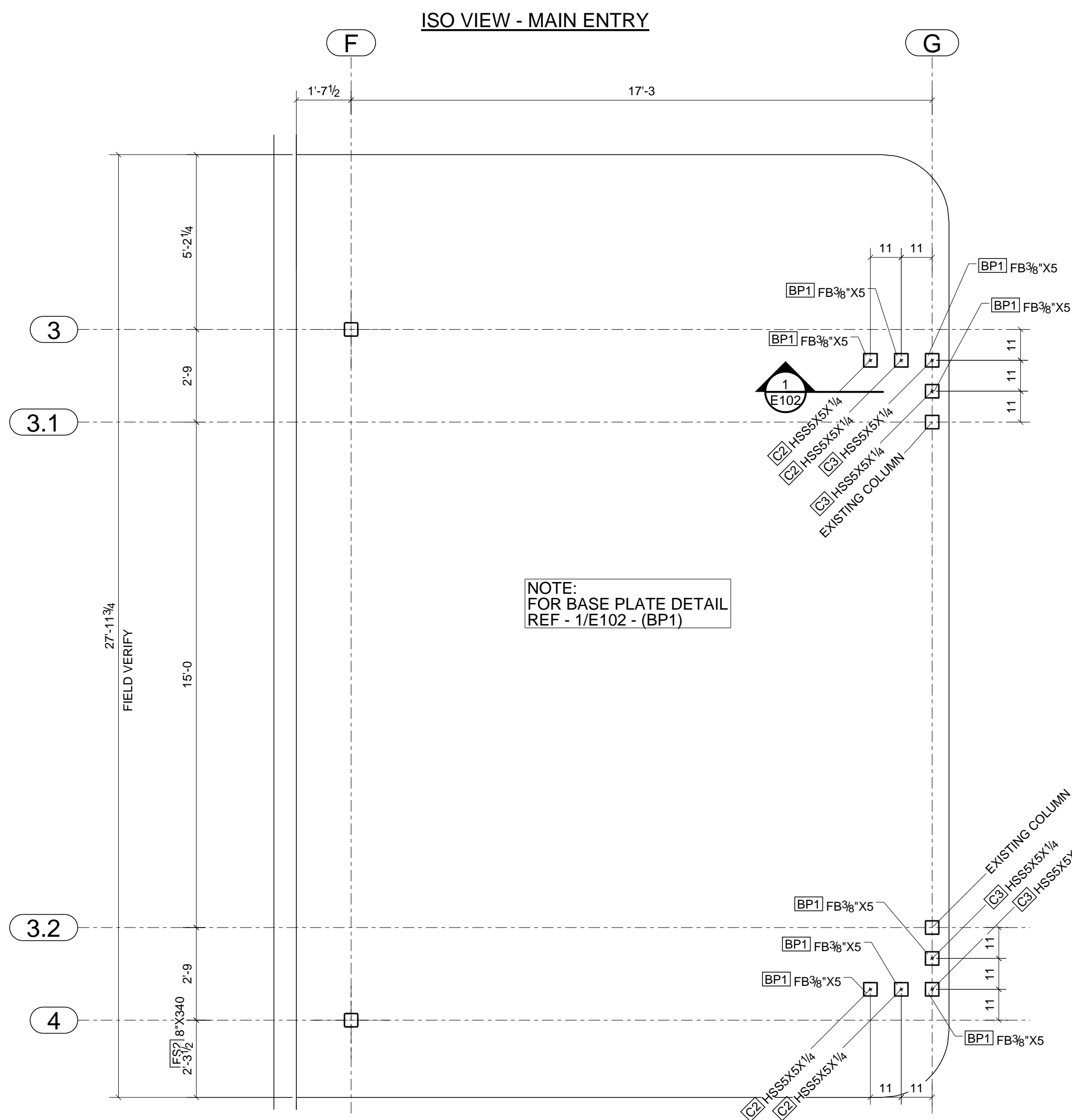
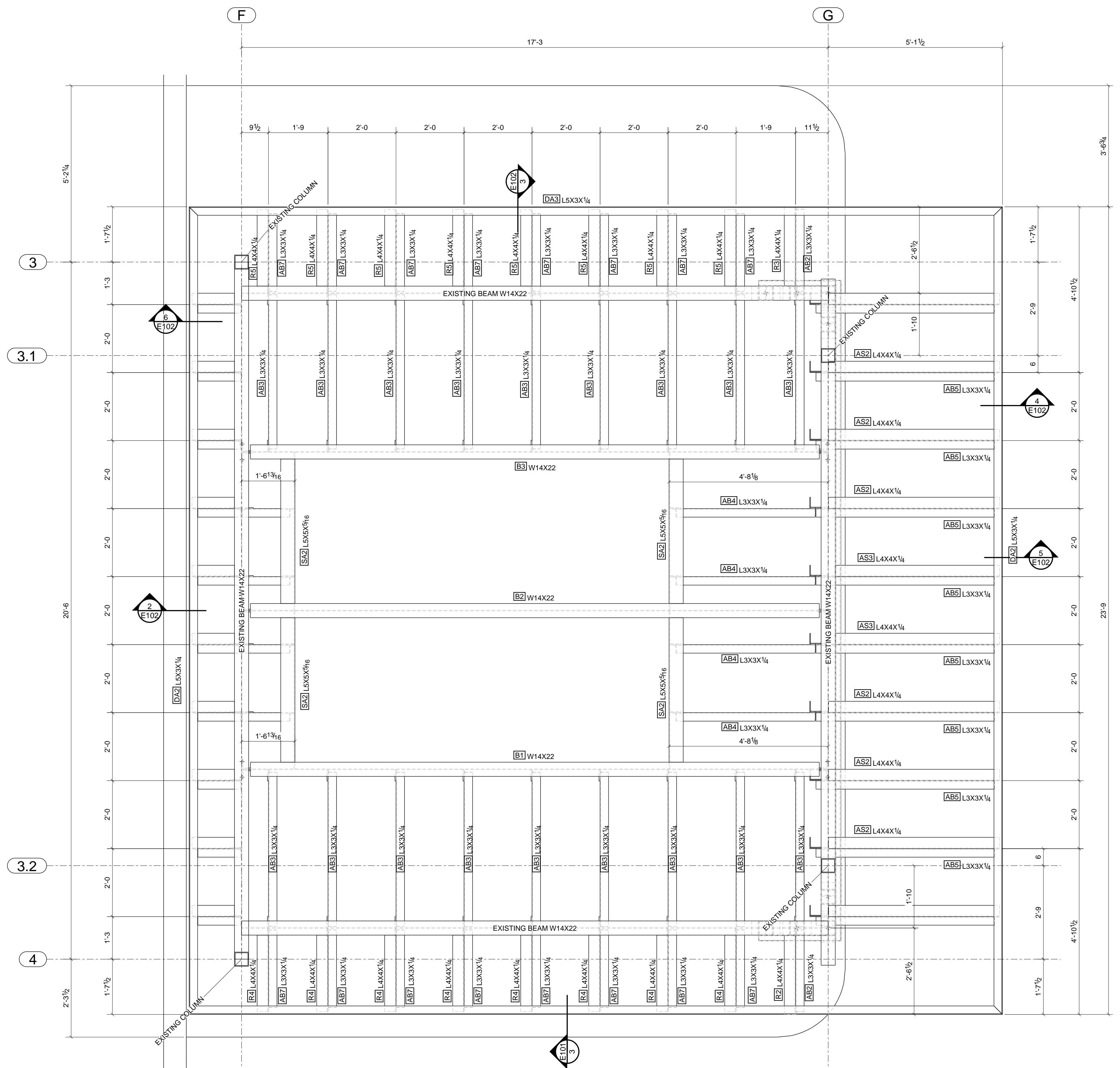


NOTE:
G.C. VERIFY ALL DIMENSION
AND ELEVATION IN FIELD PRIOR
TO FABRICATION

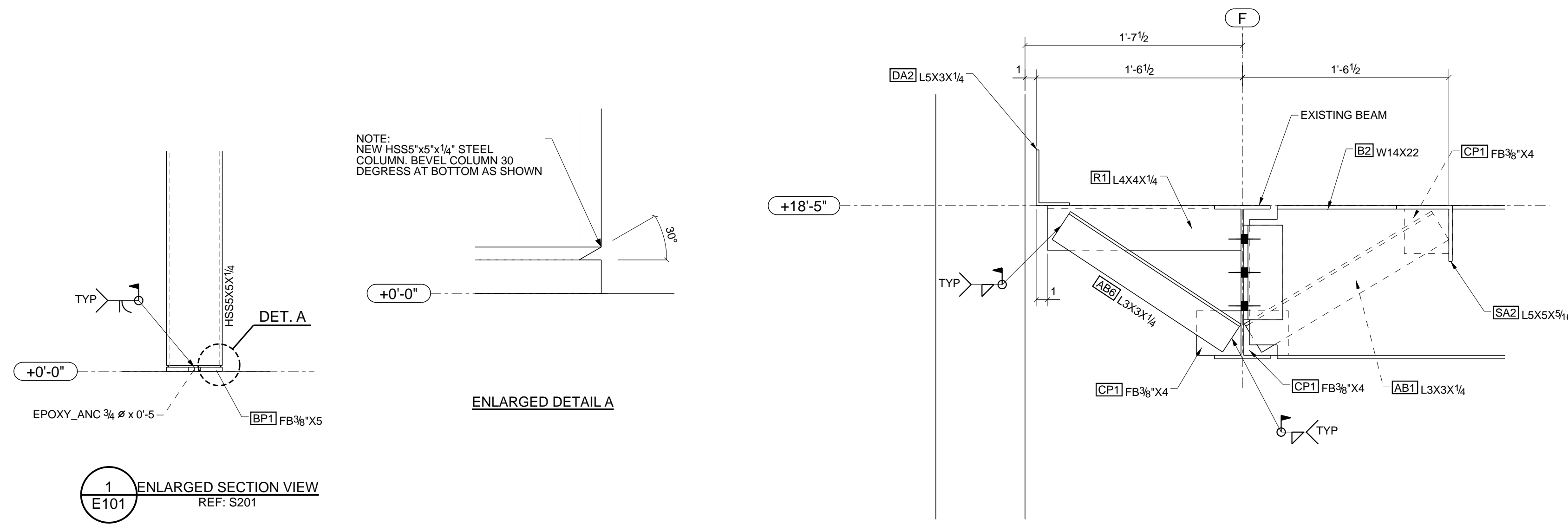


FOUNDATION PLAN & BASE PLATE PLACEMENT (BP1) - MAIN ENTRY
REF: S201



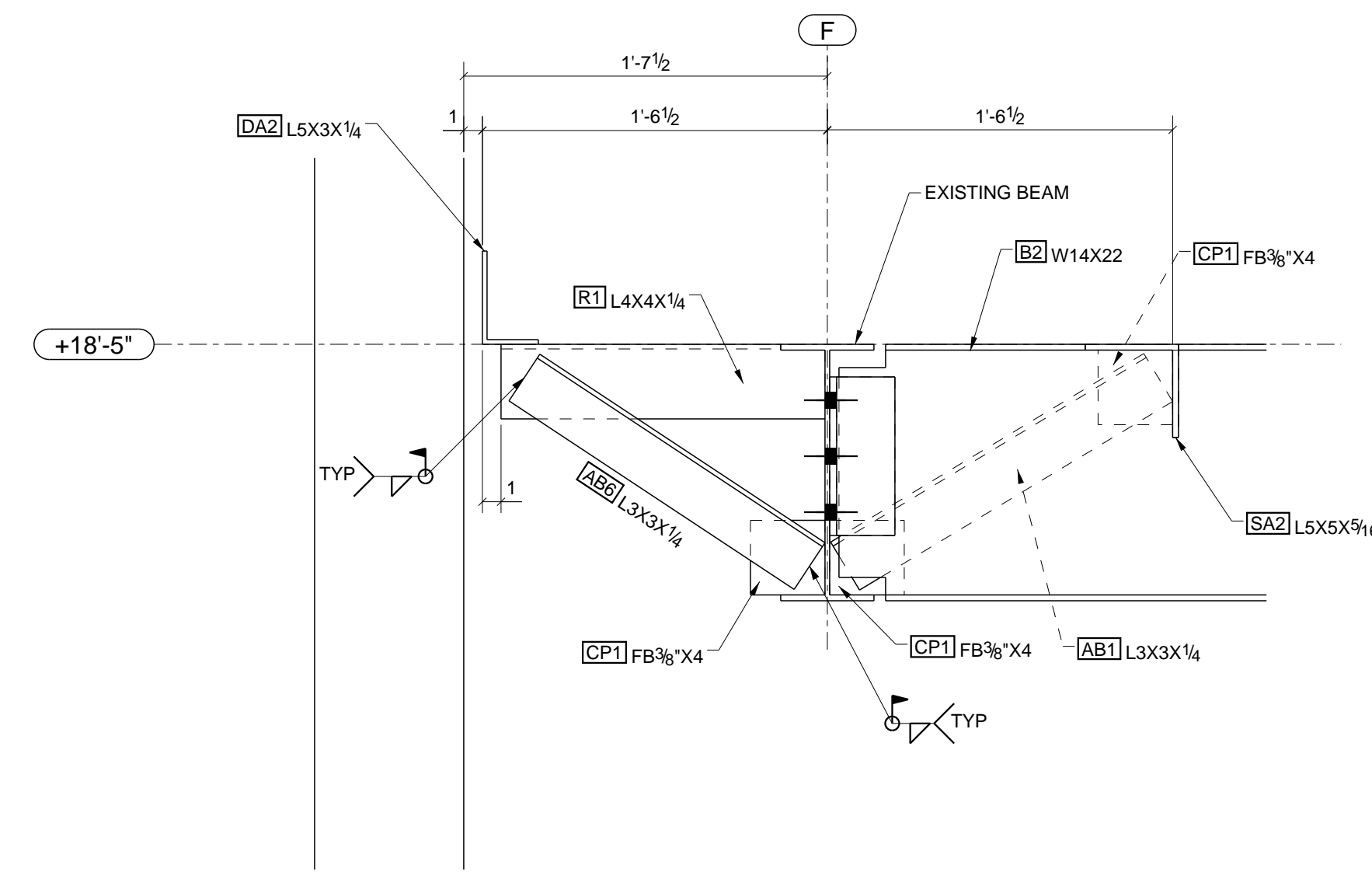
SECOND LEVEL FRAMING PLAN - MAIN ENTRY
REF: S301

3	ISSUED FOR APPROVAL	01/14/2024
REV	DESCRIPTION	DATE
BUCHANAN GROUP, LLC		
13617 LYTLE LANE HELOETES, TEXAS 78023		
DESCRIPTION	FOUNDATION & ROOF VIEWS	
PROJECT NAME	COMMUNICARE HEADQUARTERS	
DRAWN BY	DW	JOB No. 103
DATE DRAWN	11/12/2023	DRG No. E101

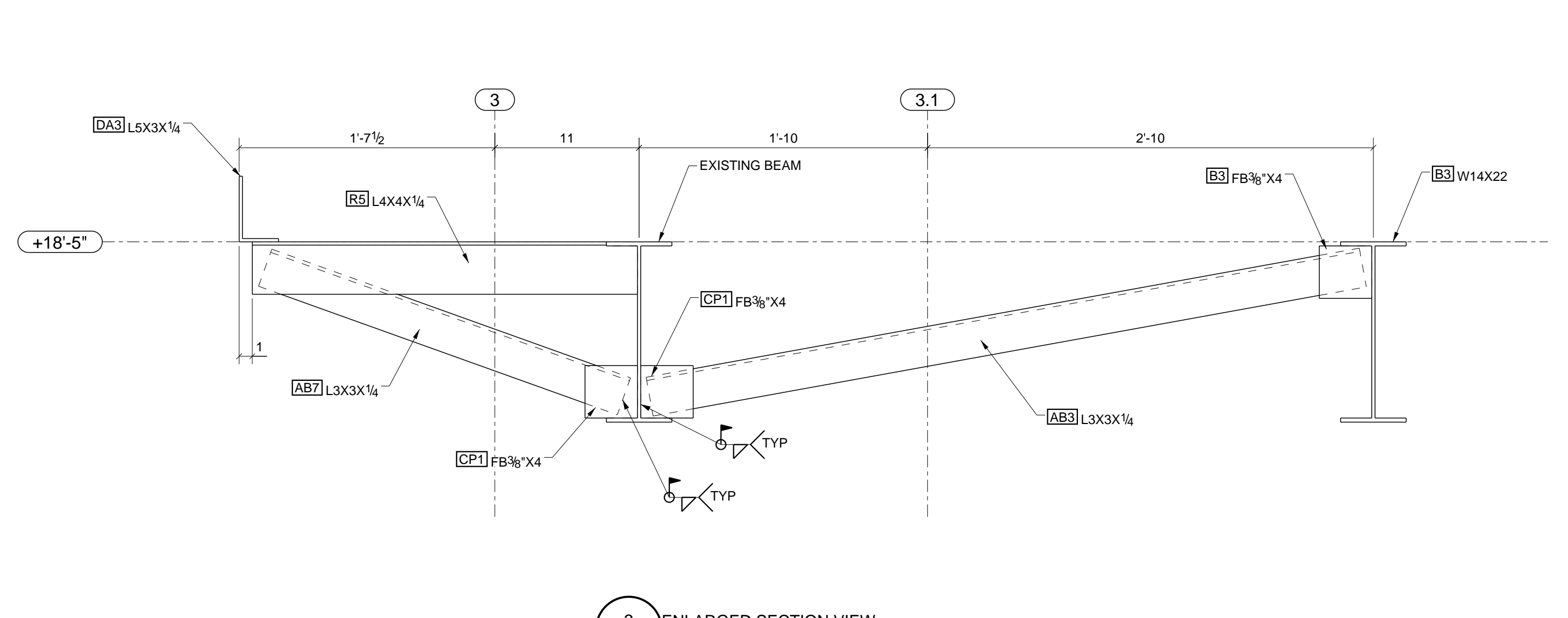


1 ENLARGED SECTION VIEW
E101 REF: S201

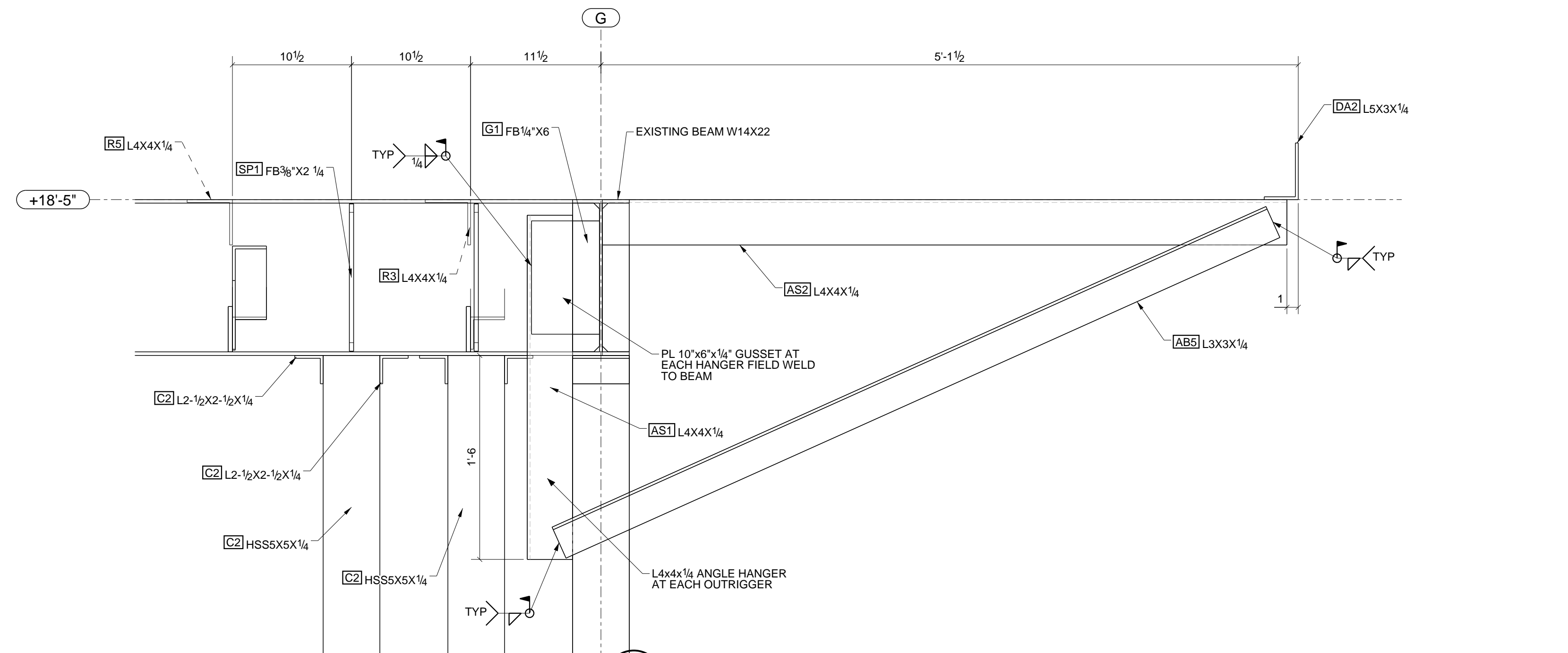
ENLARGED DETAIL A



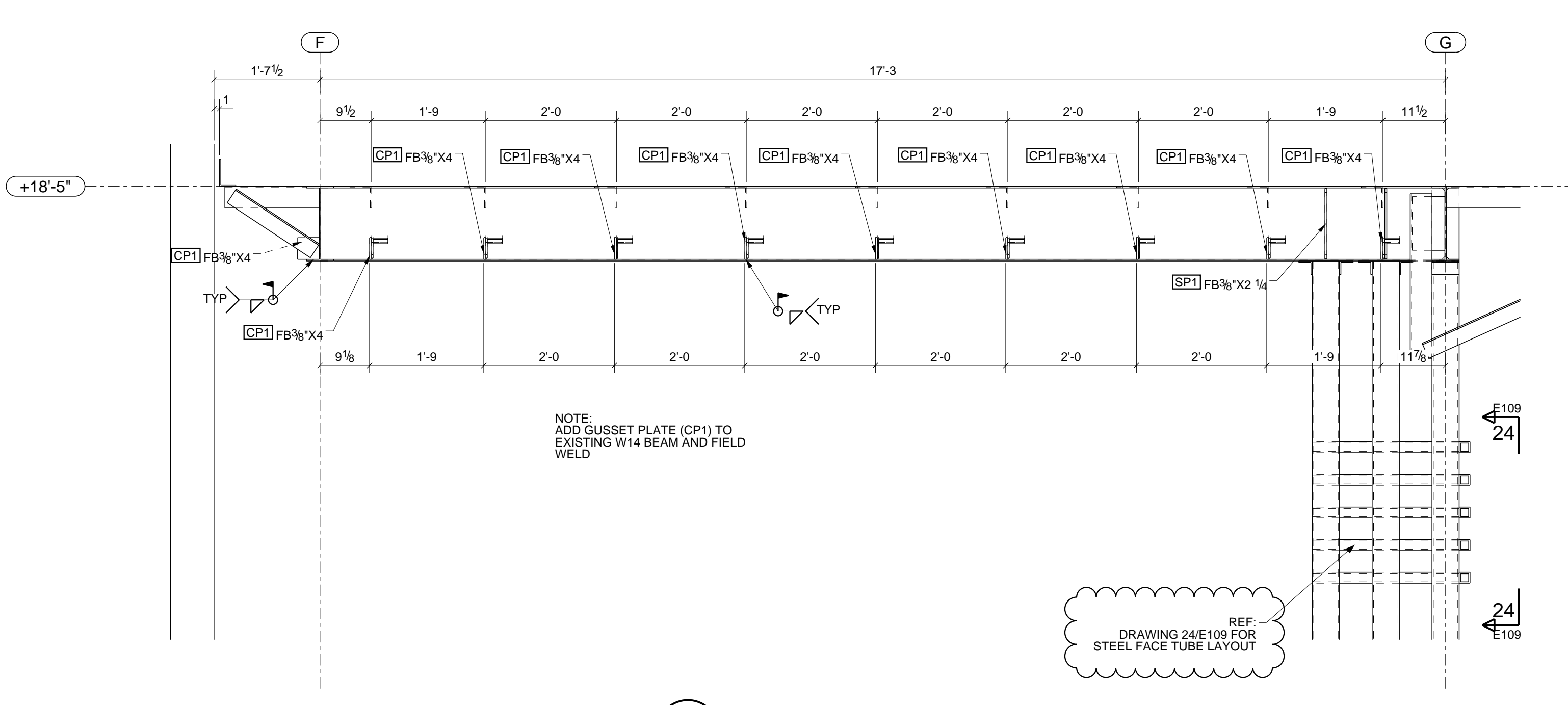
2 ENLARGED SECTION VIEW
E101 REF: S201



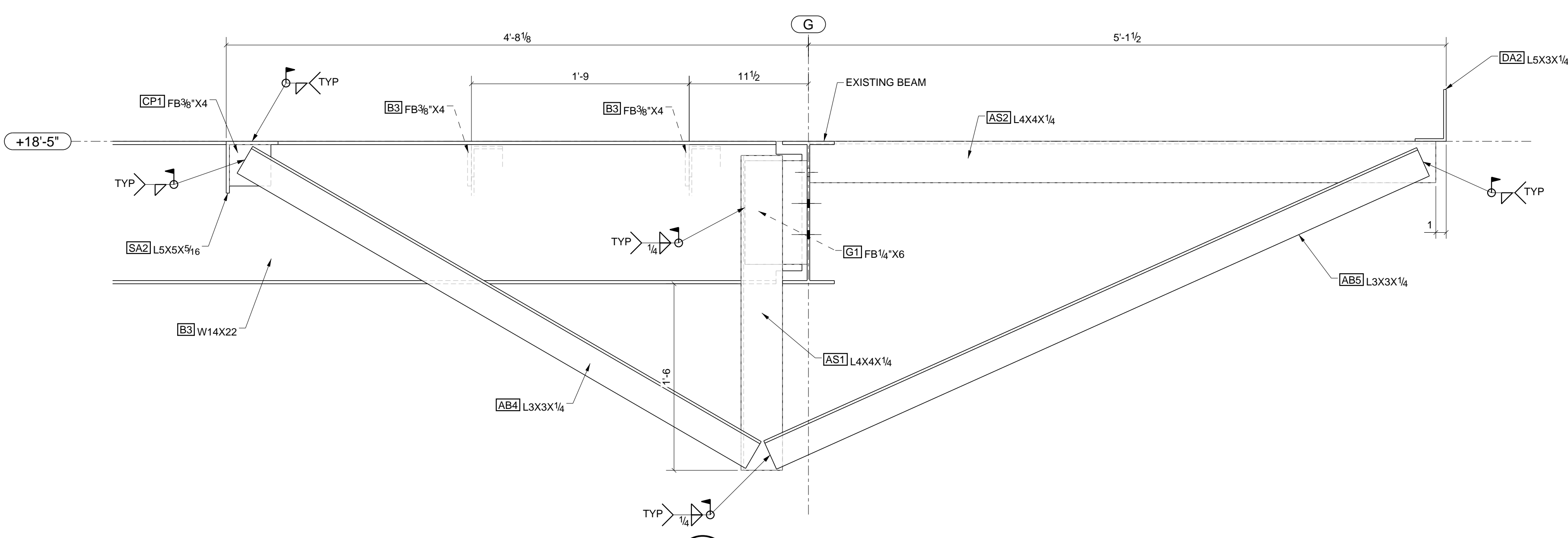
3 ENLARGED SECTION VIEW
E101 REF: S201



4 ENLARGED SECTION VIEW
E101 REF: S201

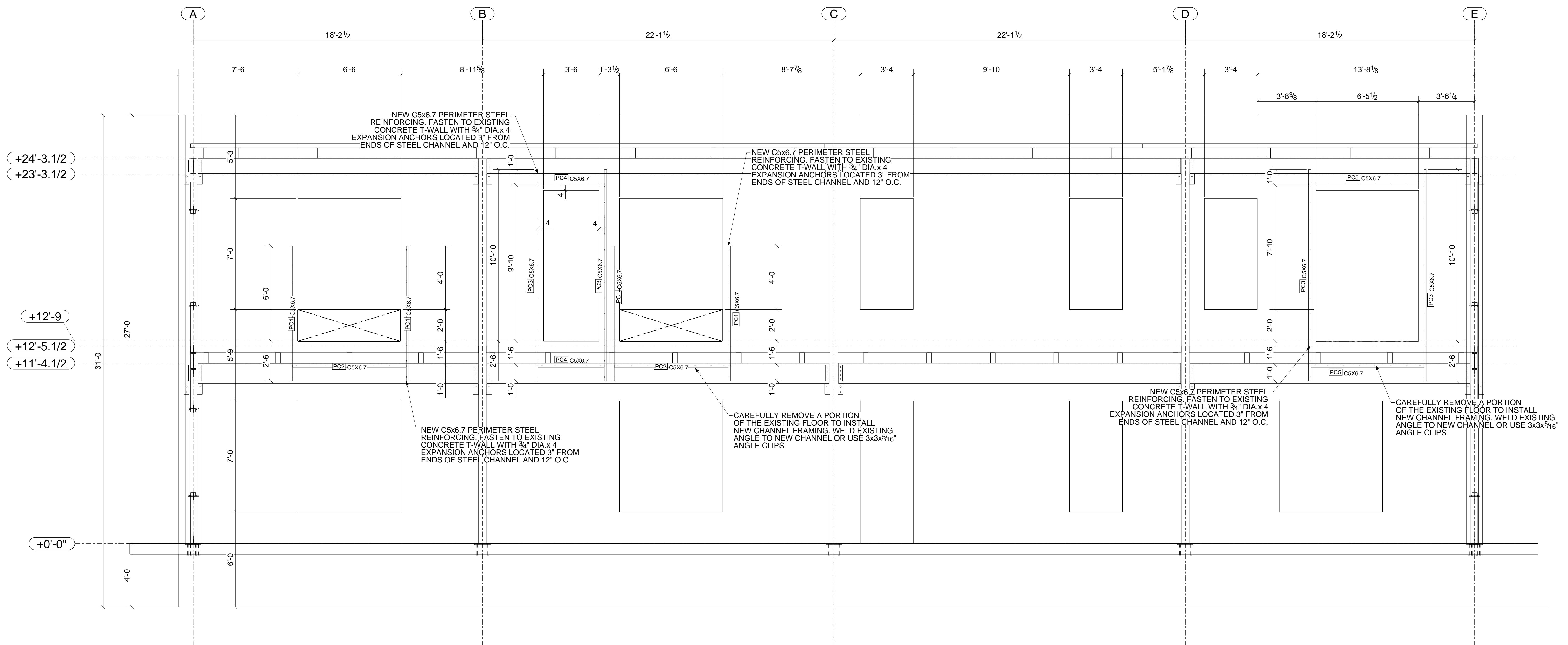


6 ENLARGED SECTION VIEW
E101 REF: S201



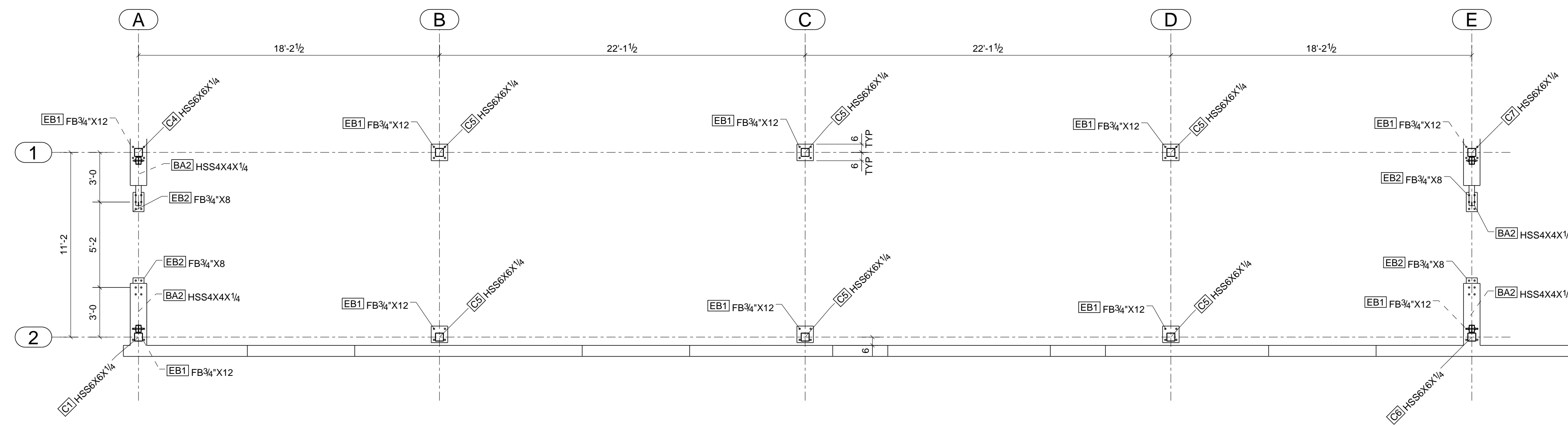
5 ENLARGED SECTION VIEW
E101 REF: S201

3	ISSUED FOR APPROVAL	01/14/2024
REV	DESCRIPTION	DATE
BUCHANAN GROUP, LLC		
13617 LYTLE LANE HELOTES, TEXAS 78023		
DESCRIPTION	DETAIL & SECTION VIEWS	
PROJECT NAME	COMMUNICARE HEADQUARTERS	
DRAWN BY	DW	JOB No. 103
DATE DRAWN	11/12/2023	DRG No. E102

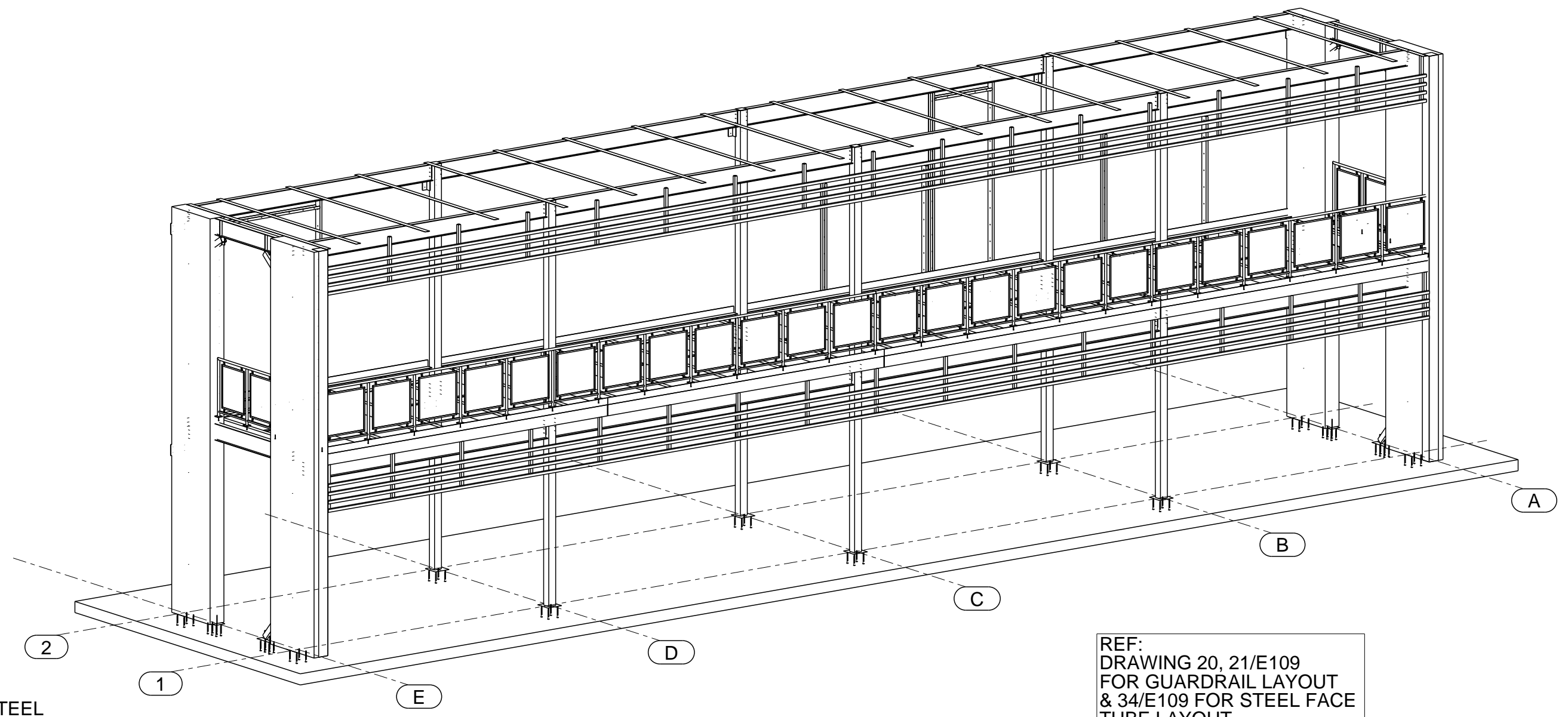


ELEVATION OF OPENING IN EXISTING TILT WALL

3	ISSUED FOR APPROVAL	01/14/2024
REV	DESCRIPTION	DATE
BUCHANAN GROUP, LLC		
13617 LYTLE LANE HELOTES, TEXAS 78023		
DESCRIPTION	CHANNEL PERIMETER SUPPORT	
PROJECT NAME	COMMUNICARE HEADQUARTERS	
DRAWN BY		JOB No.
DATE DRAWN	11/14/2023	103
		DRG No.
		E103

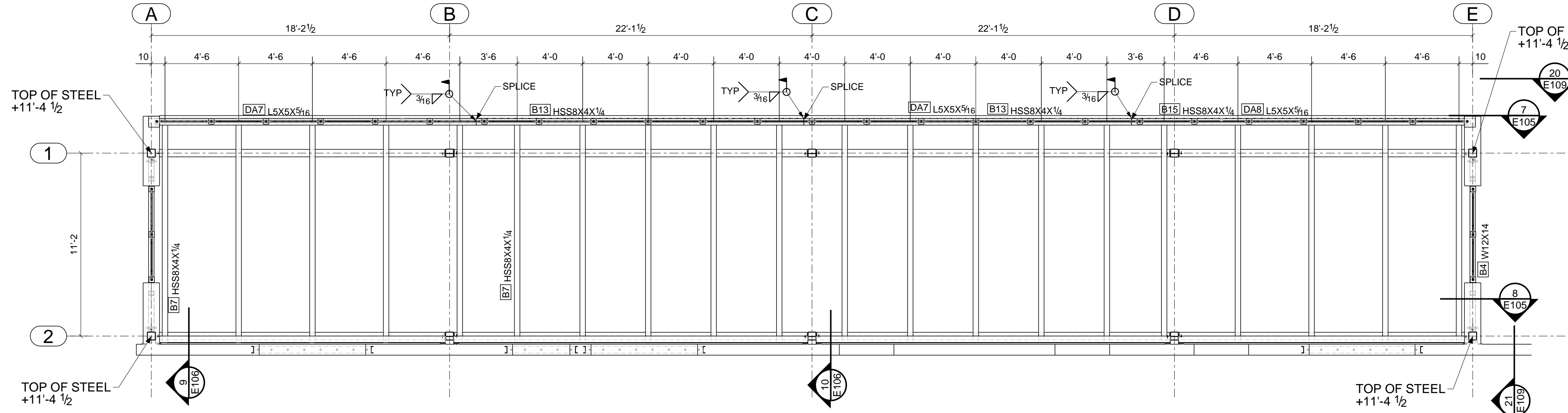


FOUNDATION PLAN
REF: S201

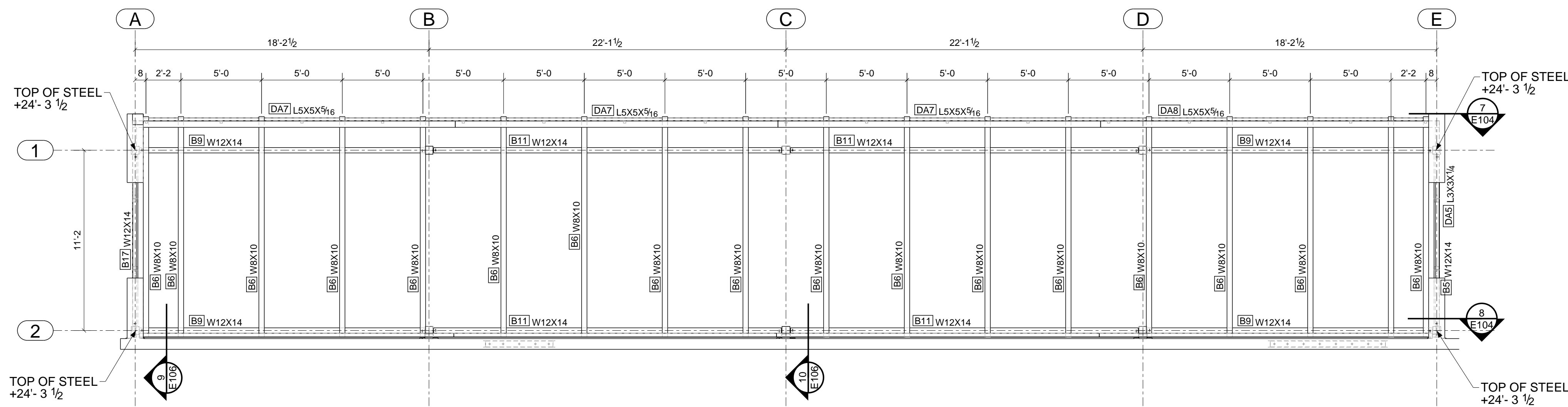


TILT WALL FRAMING ISO VIEW

REF: DRAWING 20, 21/E109 FOR GUARDRAIL LAYOUT & 34/E109 FOR STEEL FACE TUBE LAYOUT

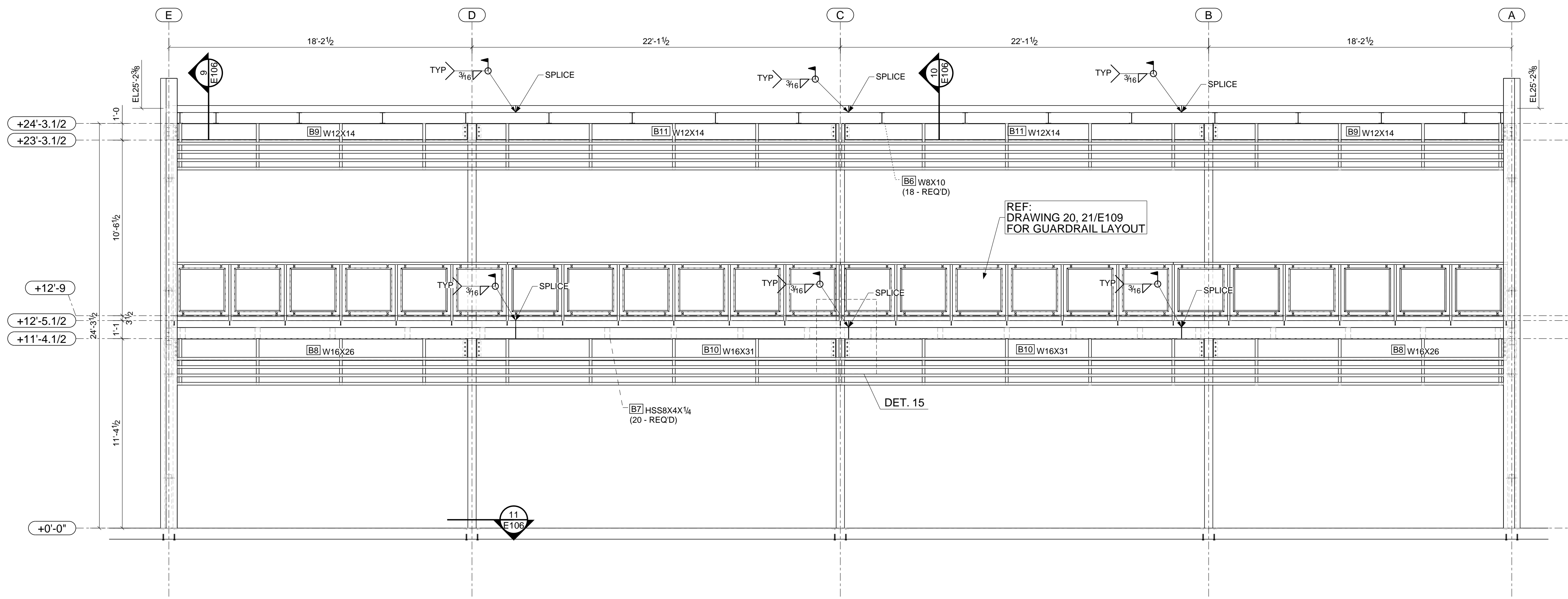


SECOND LEVEL FRAMING PLAN
REF: S301

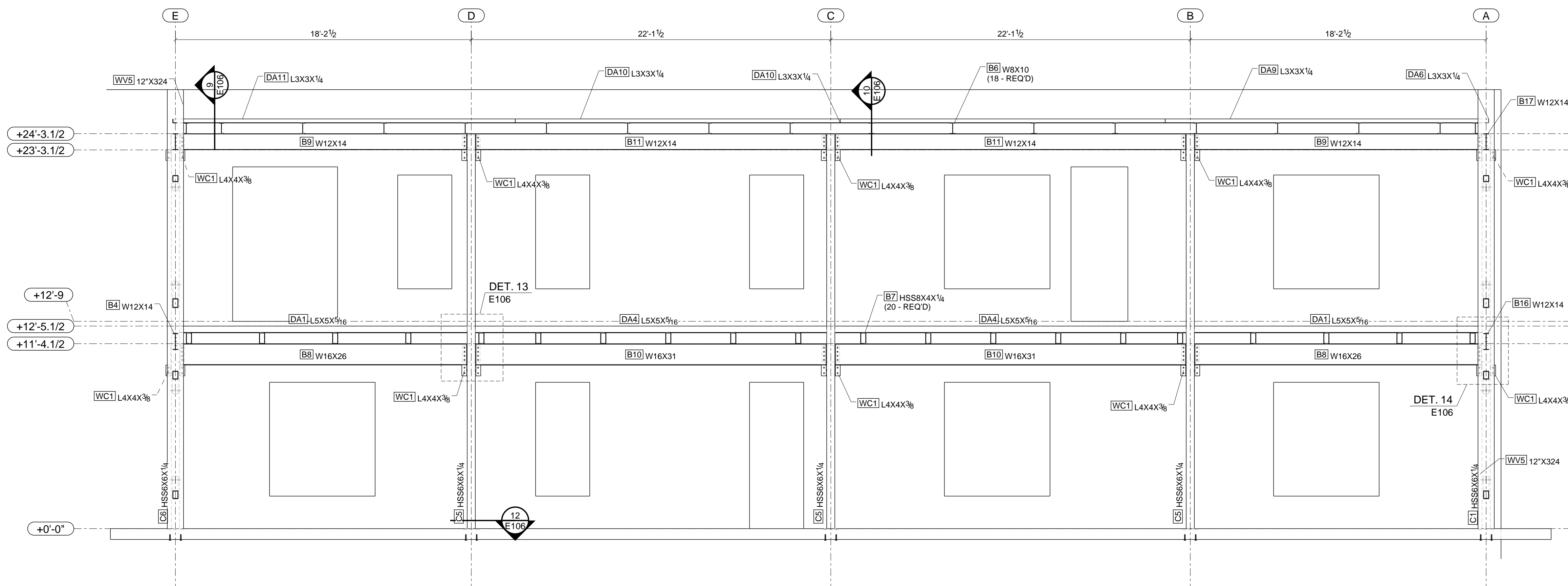


ROOF FRAMING PLAN
REF: S401

3	ISSUED FOR APPROVAL	01/14/2024
REV	DESCRIPTION	DATE
BUCHANAN GROUP, LLC		
13617 LYTLE LANE HELOTES, TEXAS 78023		
DESCRIPTION	TILT WALL FRAMING PLAN VIEW	
PROJECT NAME	COMMUNICARE HEADQUARTERS	
DRAWN BY	DW	DRG No.
DATE DRAWN	11/19/2023	103
		E104

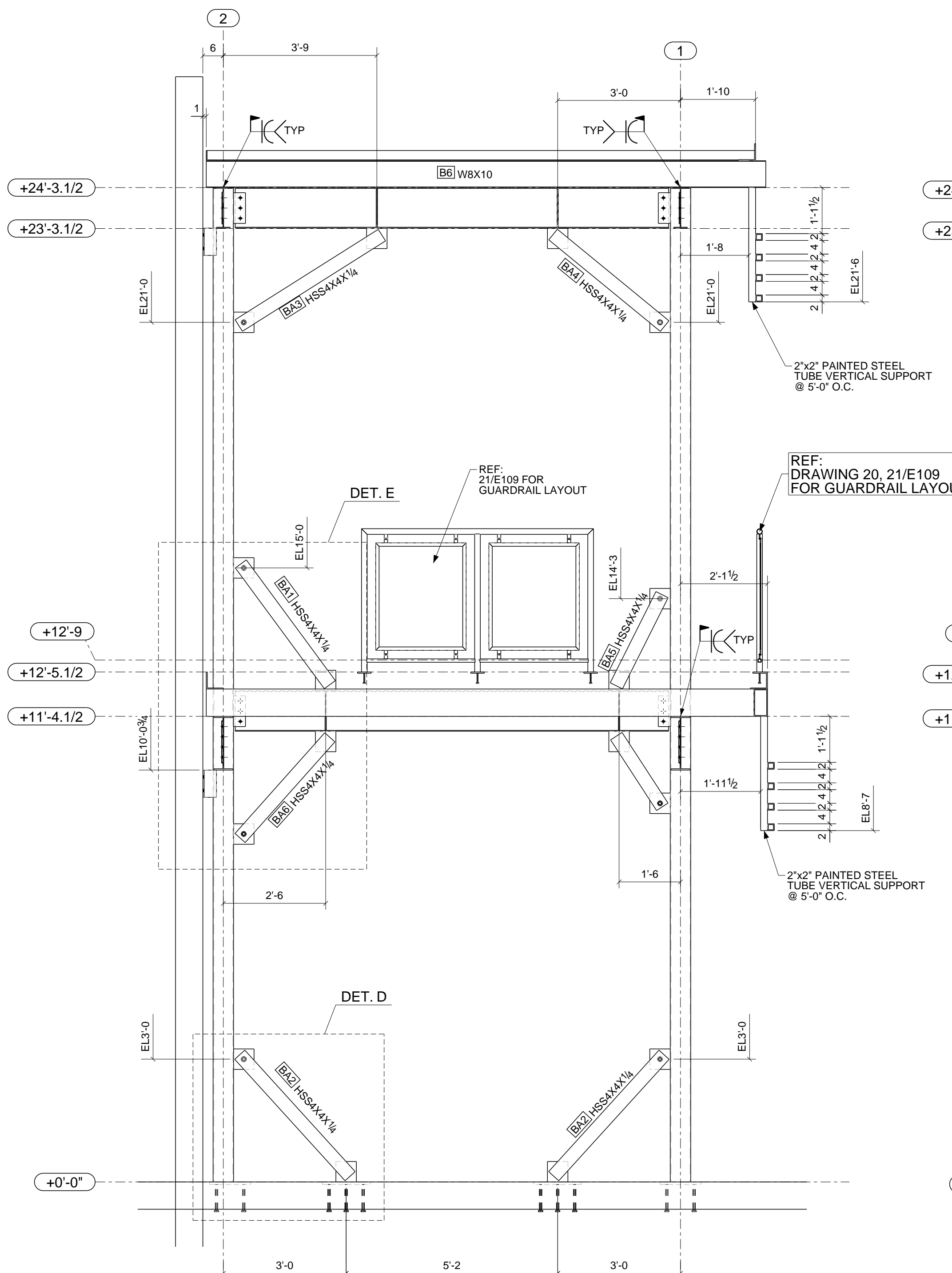


7 ENLARGED ELEVATION VIEW
E104 REF: S201

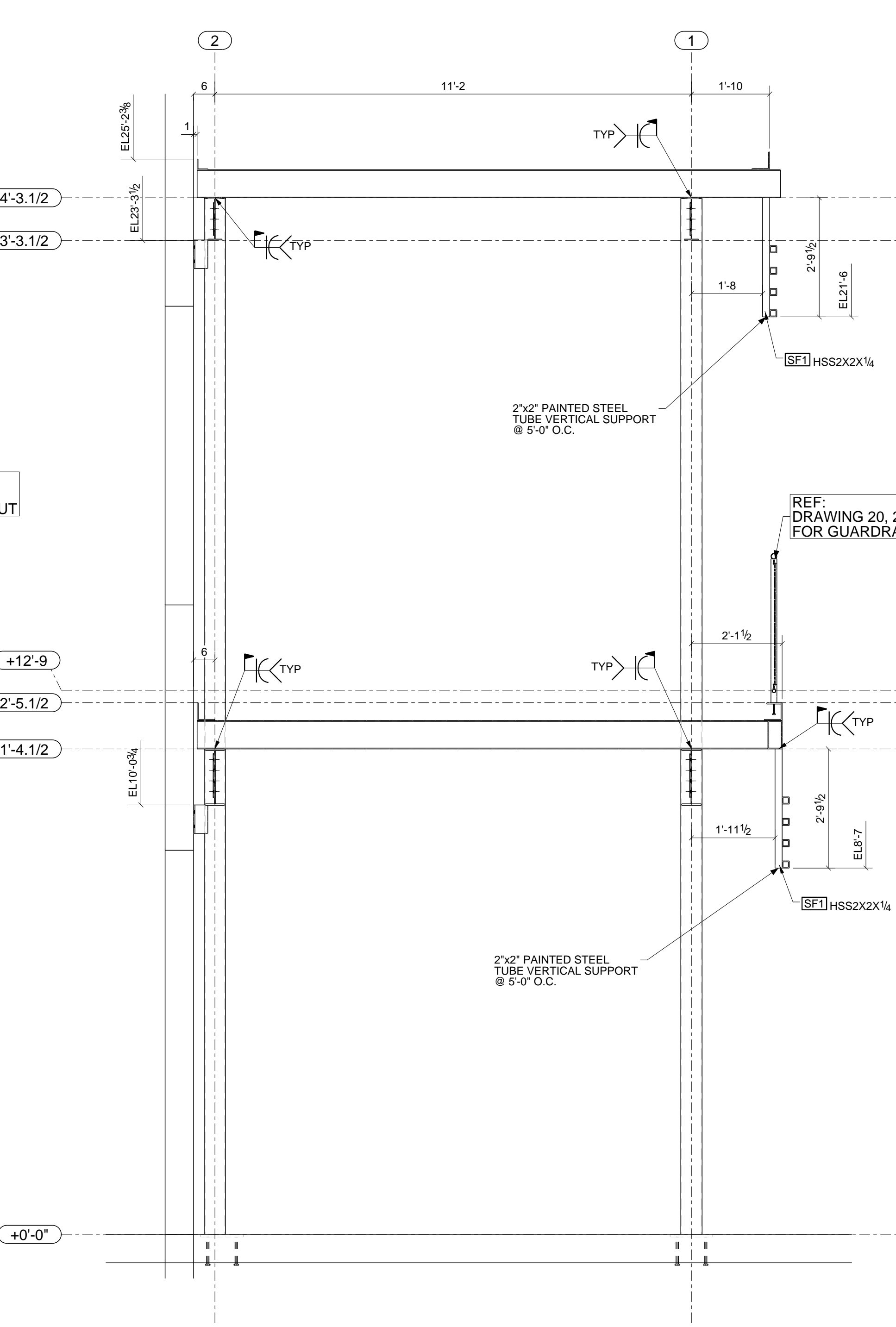


8 ENLARGED SECTION VIEW
E104 REF: S201

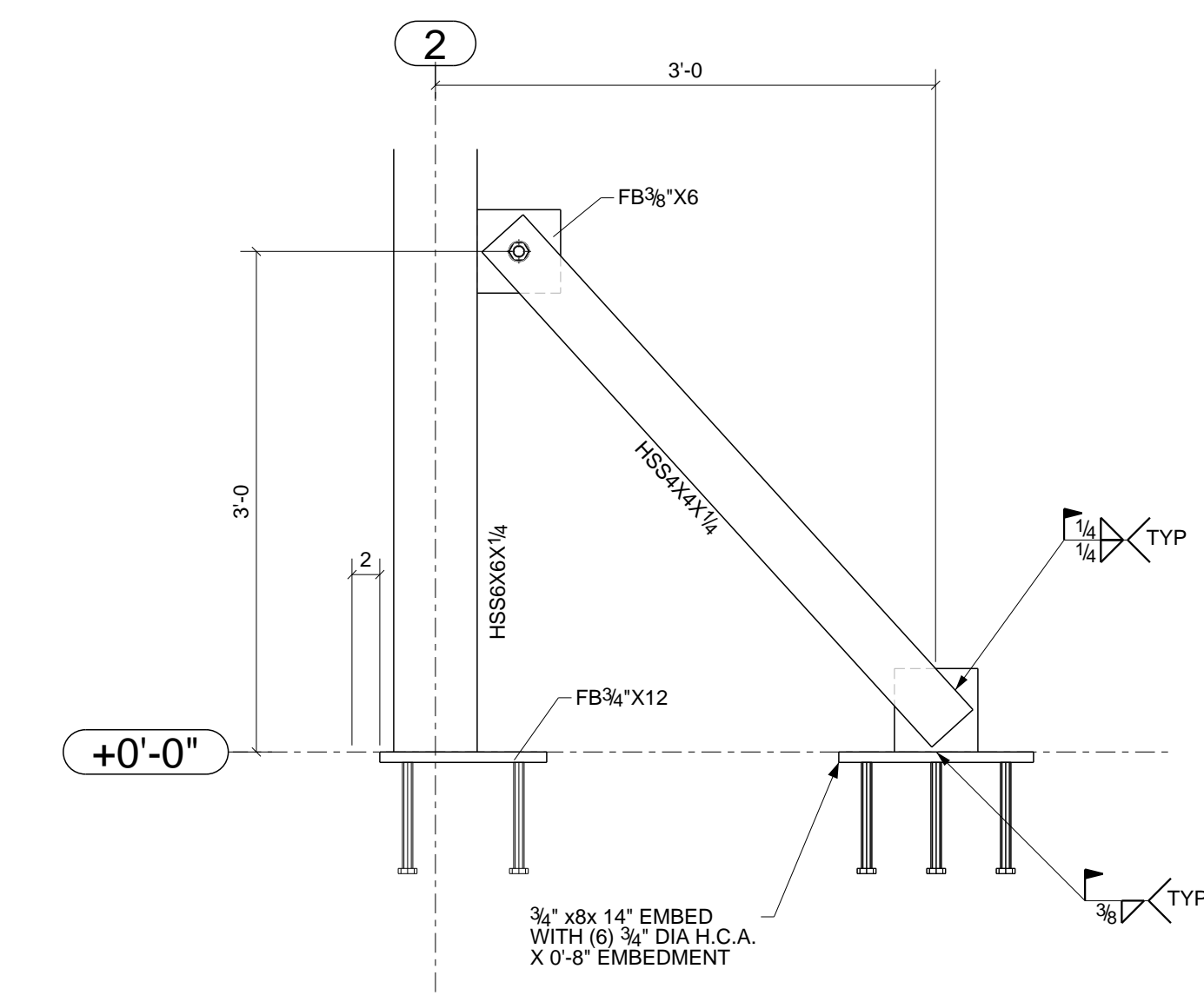
3	ISSUED FOR APPROVAL	01/14/2024
REV	DESCRIPTION	DATE
BUCHANAN GROUP, LLC		
13617 LYTLE LANE HELOTES, TEXAS 78023		
DESCRIPTION	TILT WALL FRAMING ELEVATION VIEWS	
PROJECT NAME	COMMUNICARE HEADQUARTERS	
DRAWN BY	dw	JOB No. 103
DATE DRAWN	11/19/2023	DRG No. E105



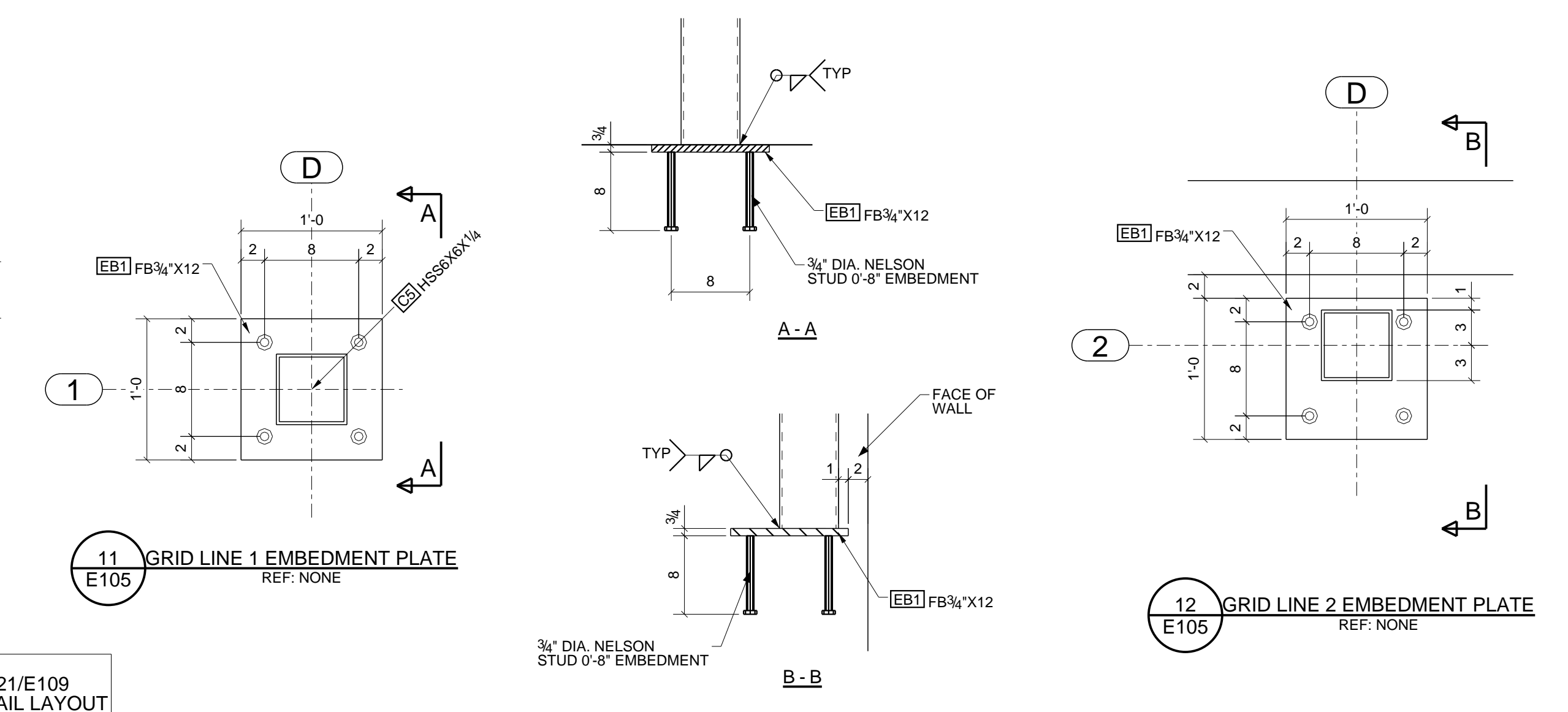
9 ENLARGED SECTION VIEW
E104 REF: S201



10 ENLARGED SECTION VIEW
E104 REF: S201

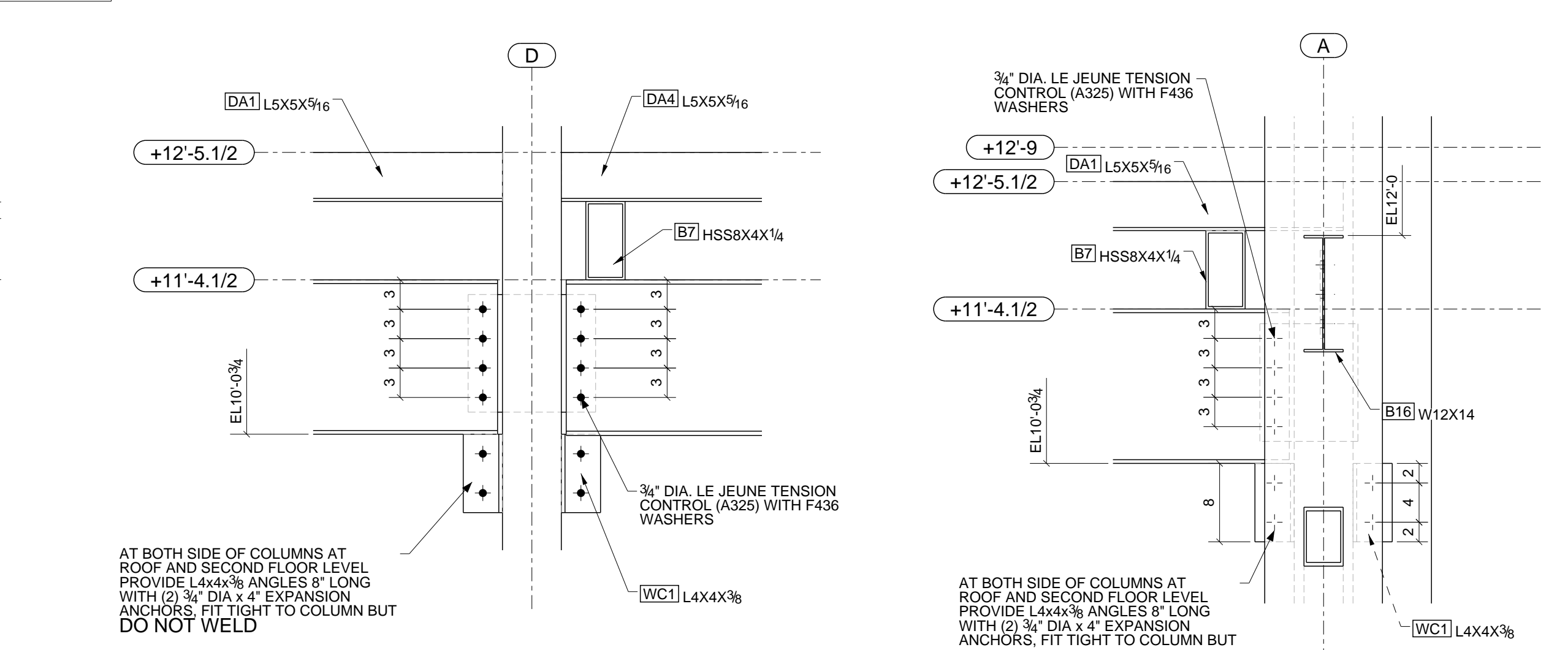


D ENLARGED DETAIL VIEW
E106 REF: NONE



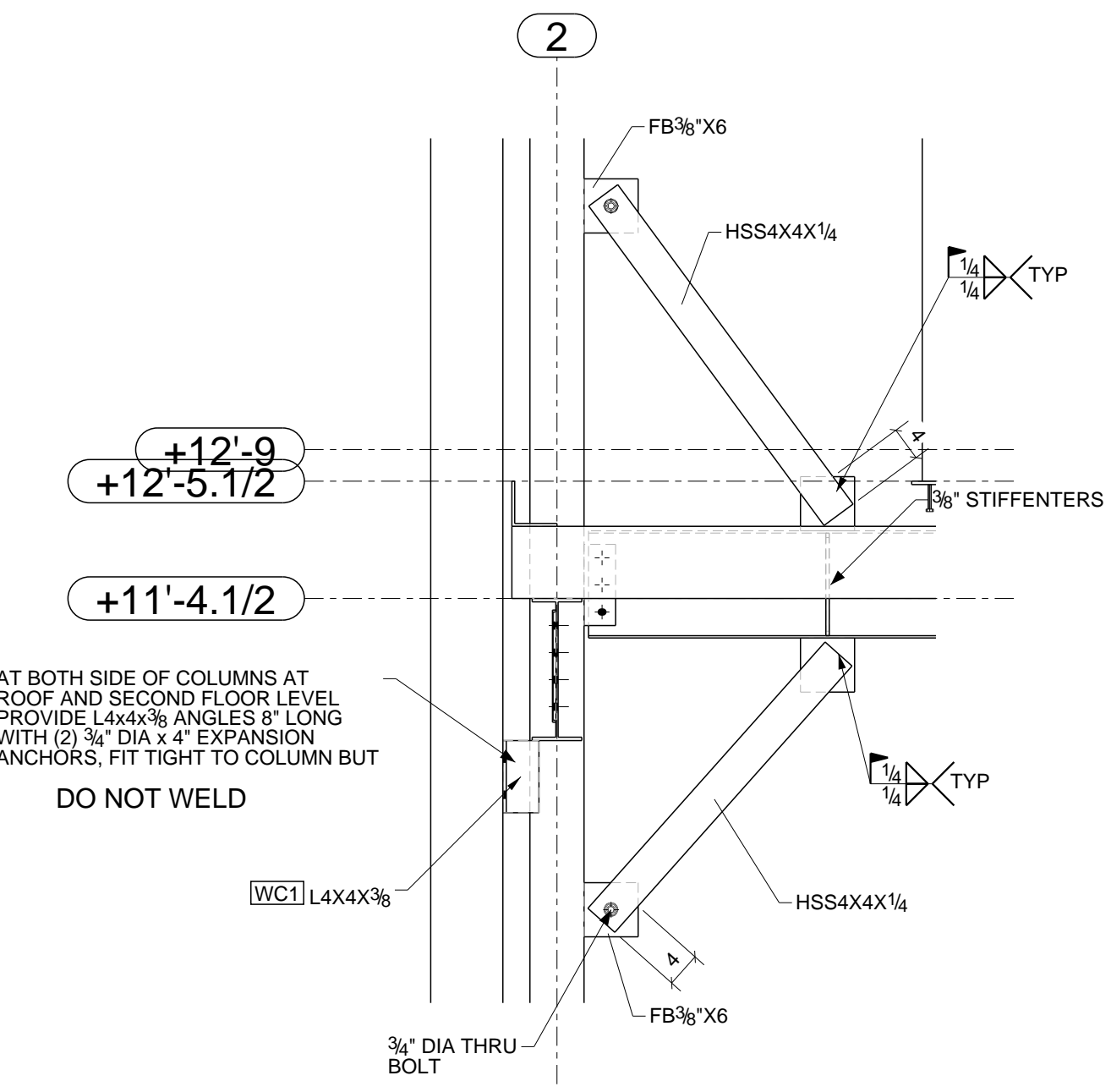
11 GRID LINE 1 EMBEDMENT PLATE
E105 REF: NONE

12 GRID LINE 2 EMBEDMENT PLATE
E105 REF: NONE



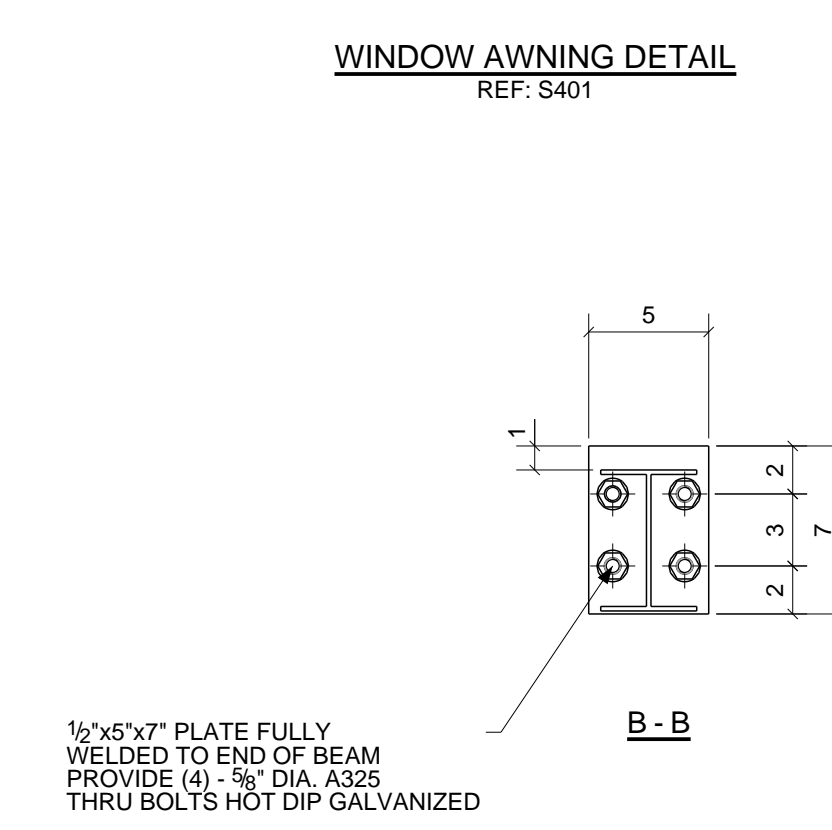
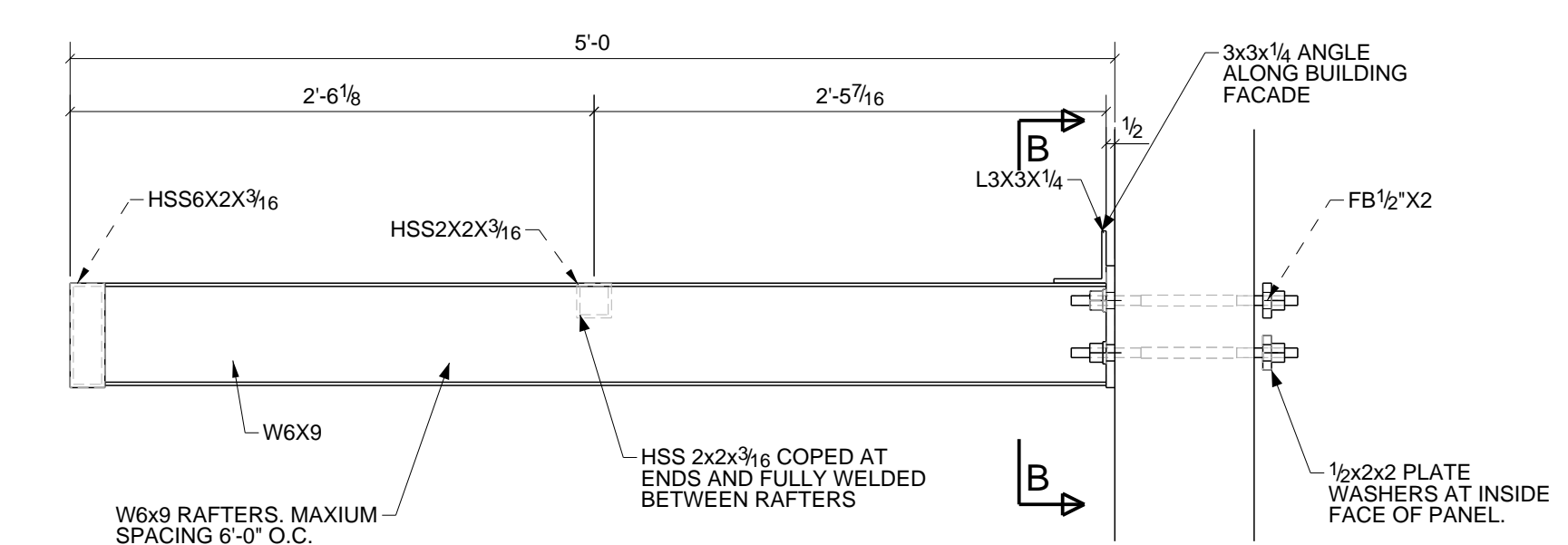
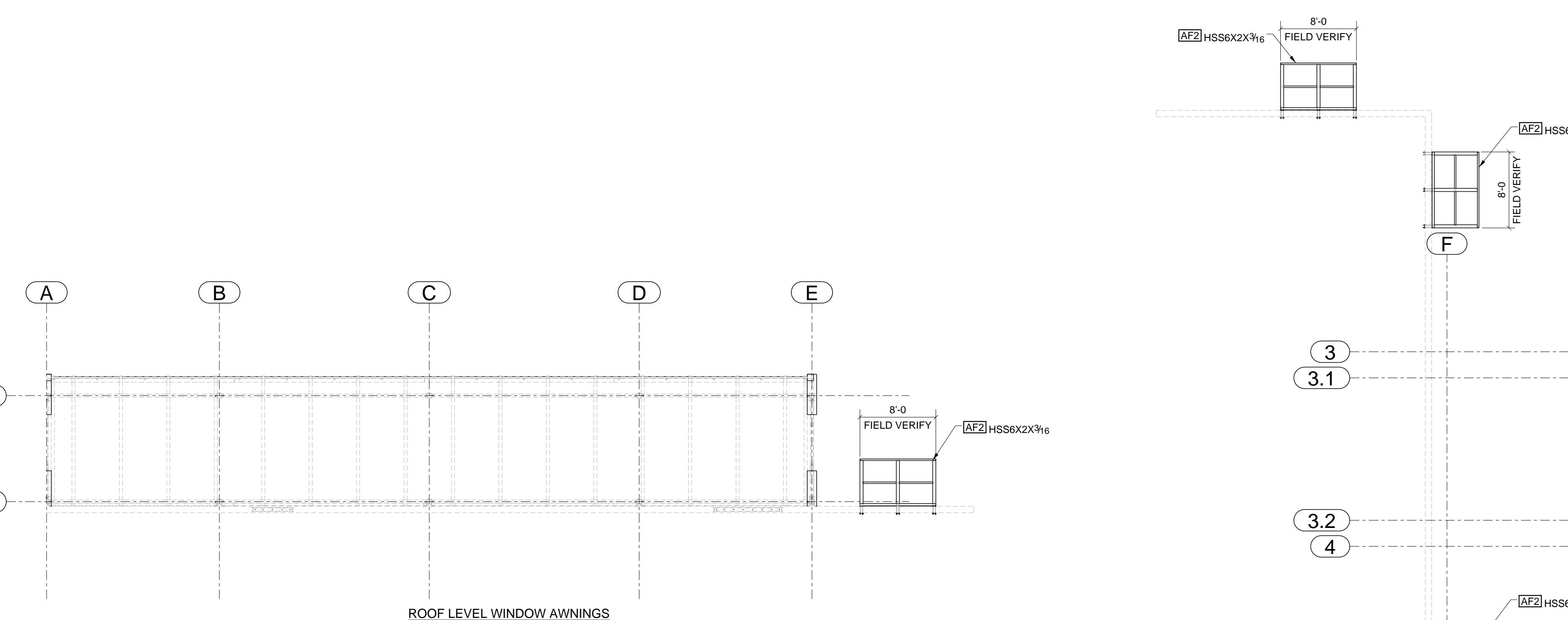
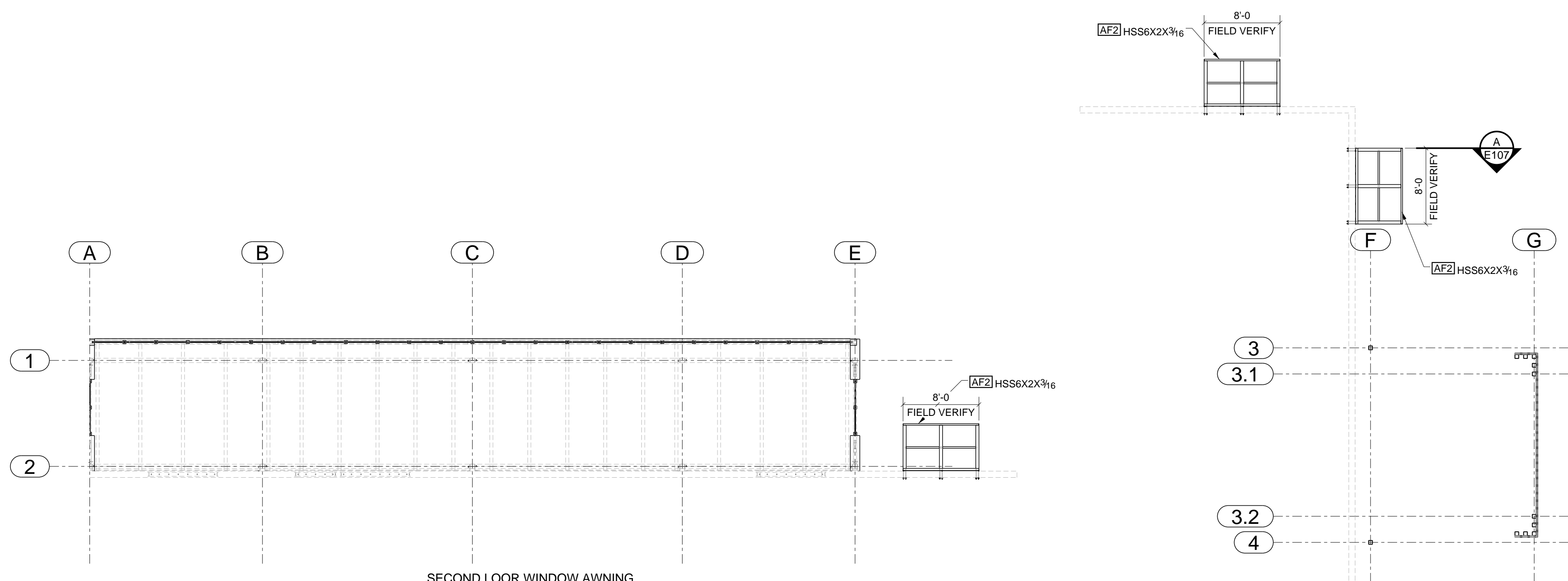
13 ENLARGED DETAIL VIEW
E105 REF: NONE

14 ENLARGED DETAIL VIEW
E105 REF: NONE

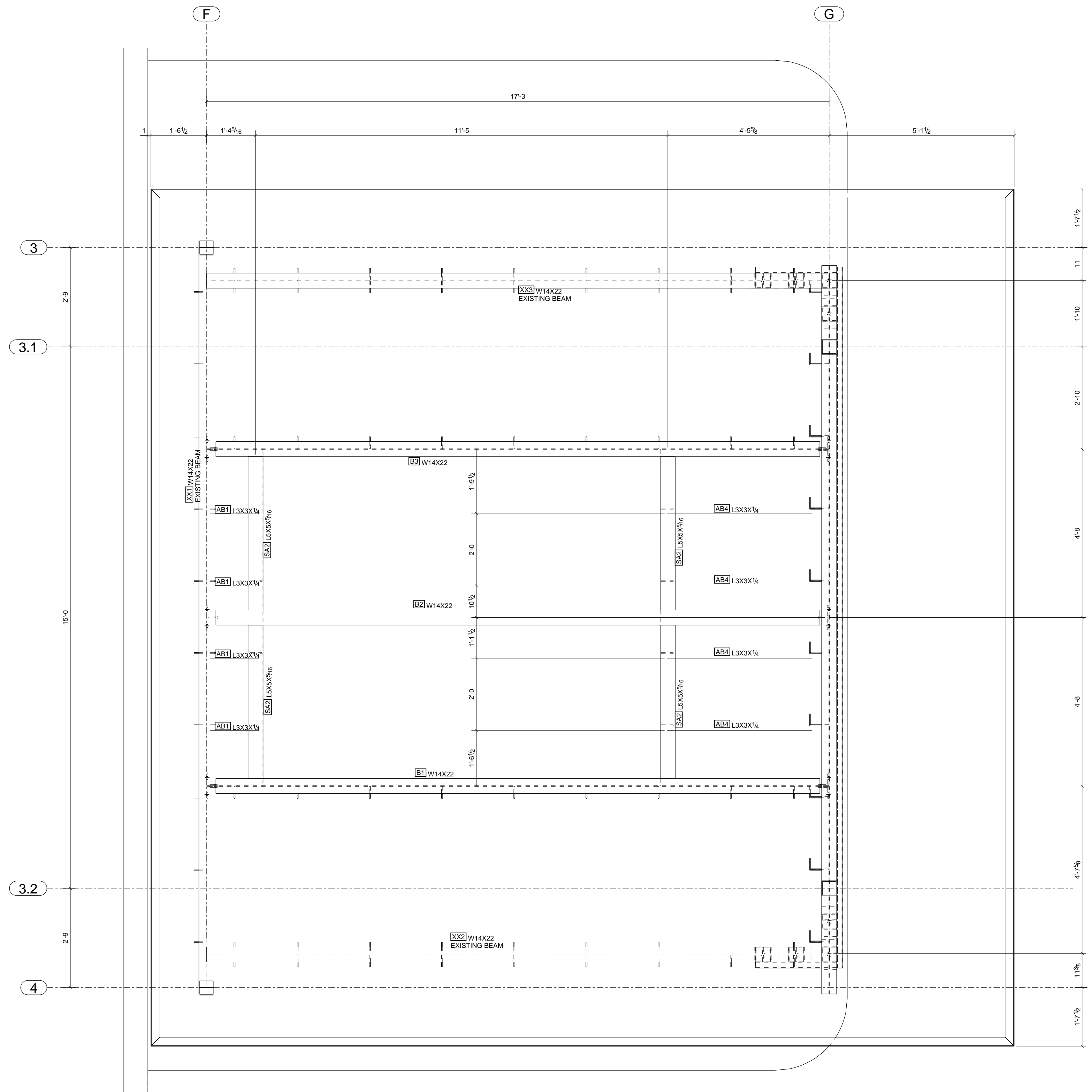


E ENLARGED DETAIL VIEW
E106 REF: NONE

3	ISSUED FOR APPROVAL	01/14/2024
REV	DESCRIPTION	DATE
BUCHANAN GROUP, LLC		
13617 LYTLE LANE HELOTES, TEXAS 78023		
DESCRIPTION	SECTION & DETAIL VIEWS	
PROJECT NAME	COMMUNICARE HEADQUARTERS	
DRAWN BY	DW	JOB No. 103
DATE DRAWN	11/21/2023	DRG No. E106

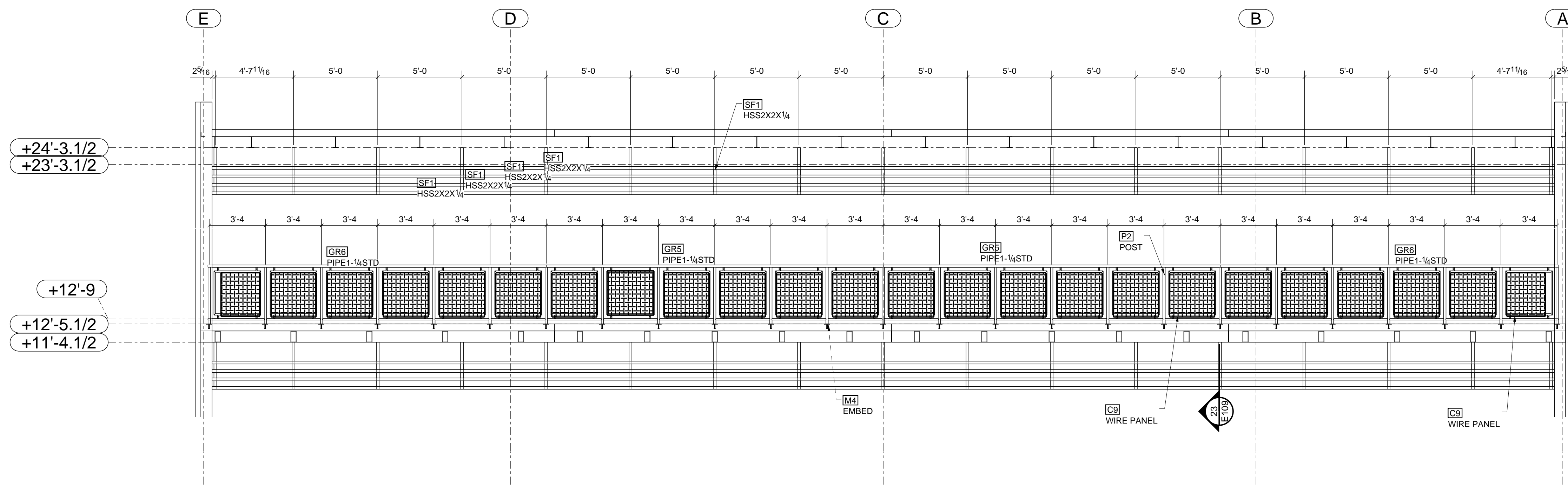


3	ISSUED FOR APPROVAL	01/14/2024
REV	DESCRIPTION	DATE
BUCHANAN GROUP, LLC		
13617 LYTLE LANE HELOTES, TEXAS 78023		
DESCRIPTION	WINDOW AWNING	
PROJECT NAME	COMMUNICARE HEADQUARTERS	
DRAWN BY	DW	JOB No. 103
DATE DRAWN	11/22/2023	DRG No. E107

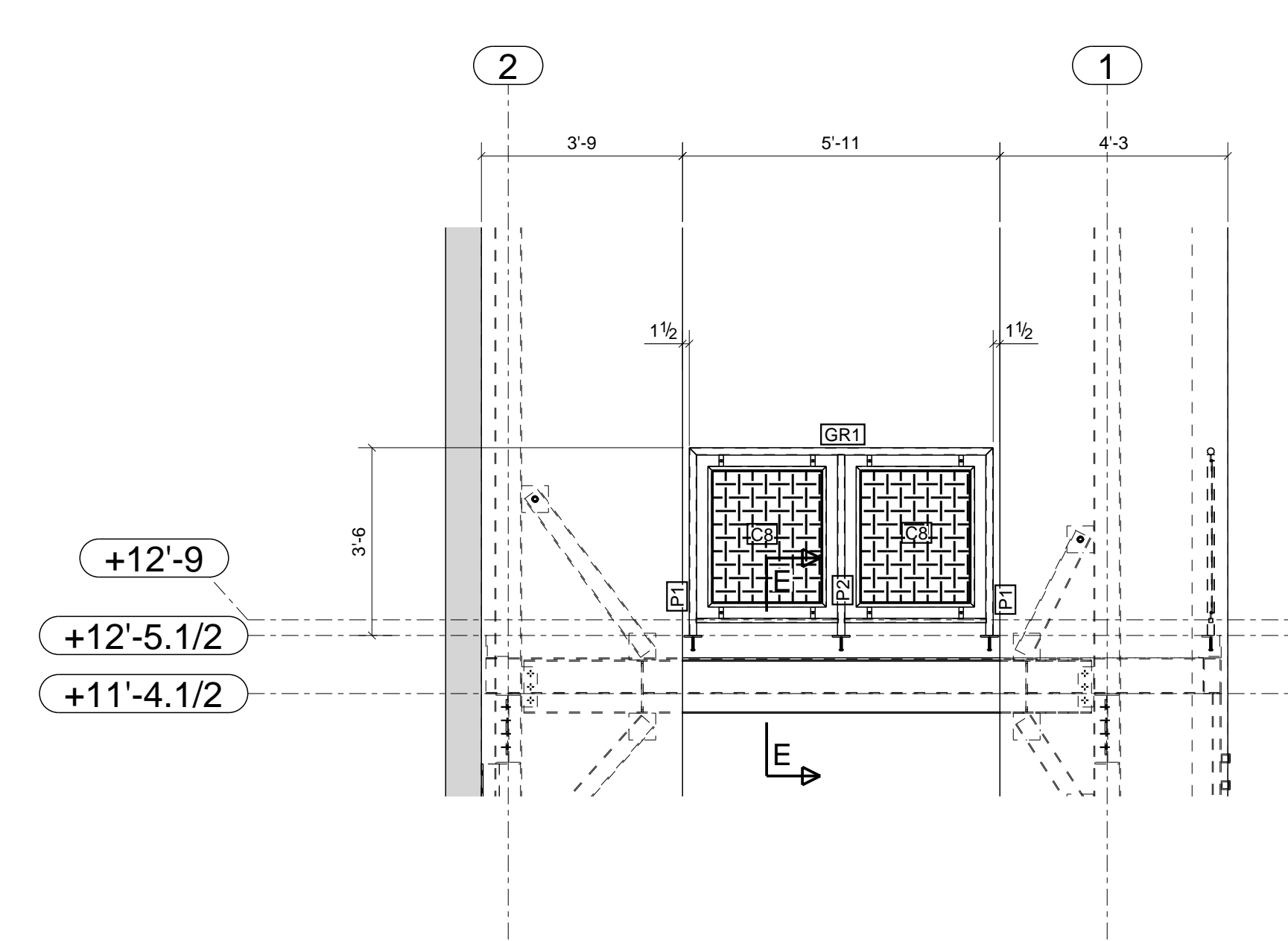


BEAM PLACE LAYOUT FOR ERECTION
E101

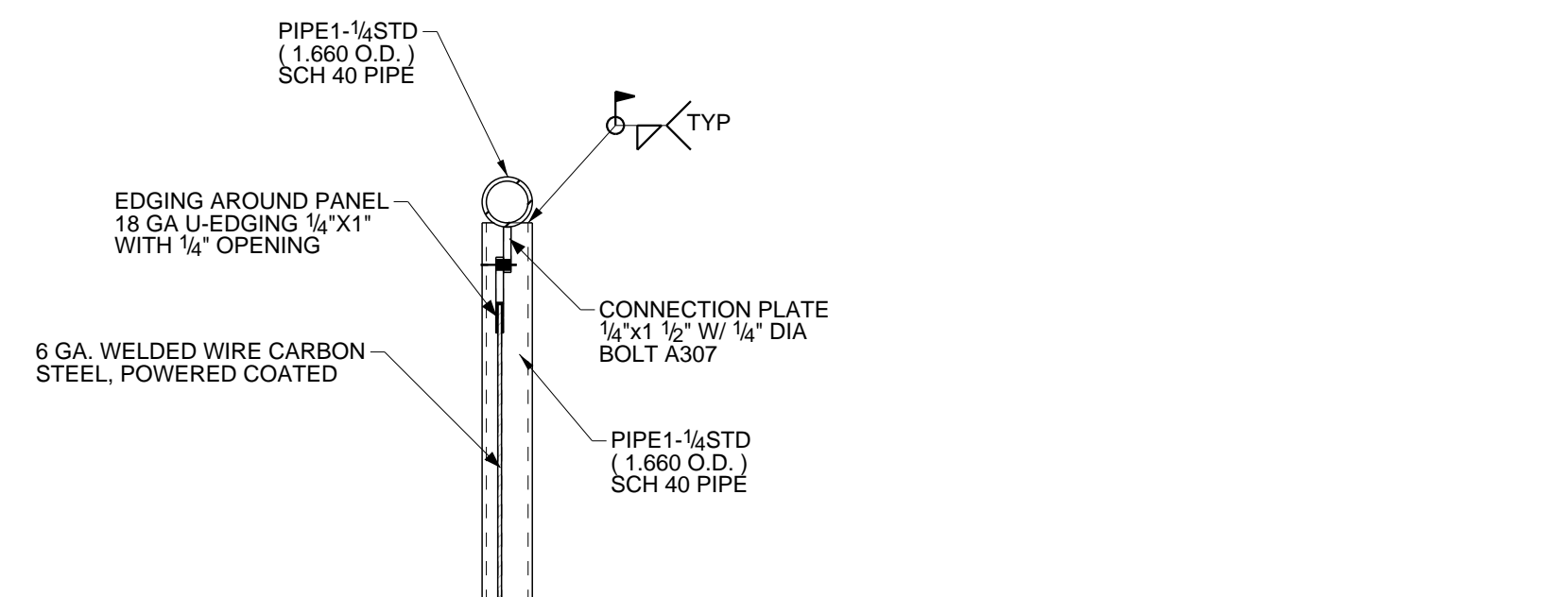
3	ISSUED FOR APPROVAL	01/14/2024
REV	DESCRIPTION	DATE
BUCHANAN GROUP, LLC		
13617 LYTLE LANE HELOTES, TEXAS 78023		
DESCRIPTION	DIMENSION	
PROJECT NAME	COMMUNICARE HEADQUARTERS	
DRAWN BY	JOB No.	DRG No.
DATE DRAWN	01/04/2024	103 E108



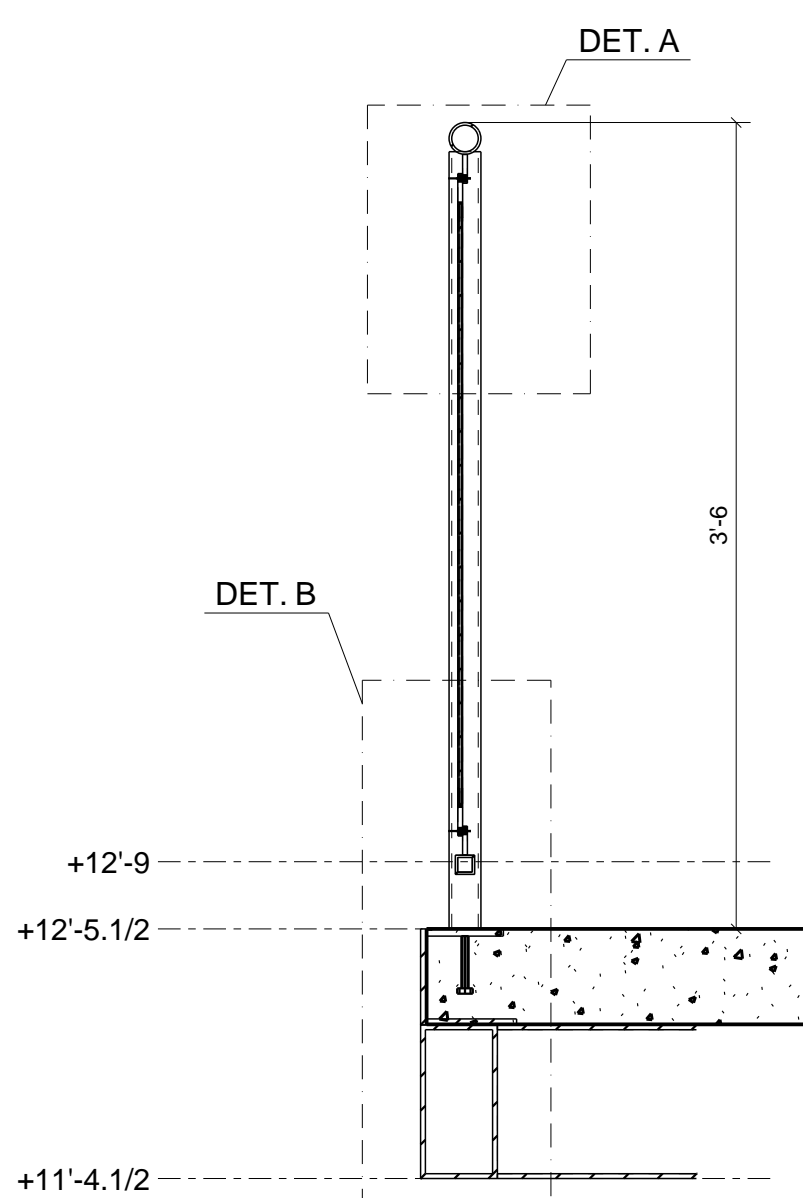
20 ENLARGED ELEVATION VIEW
E104 REF: S201



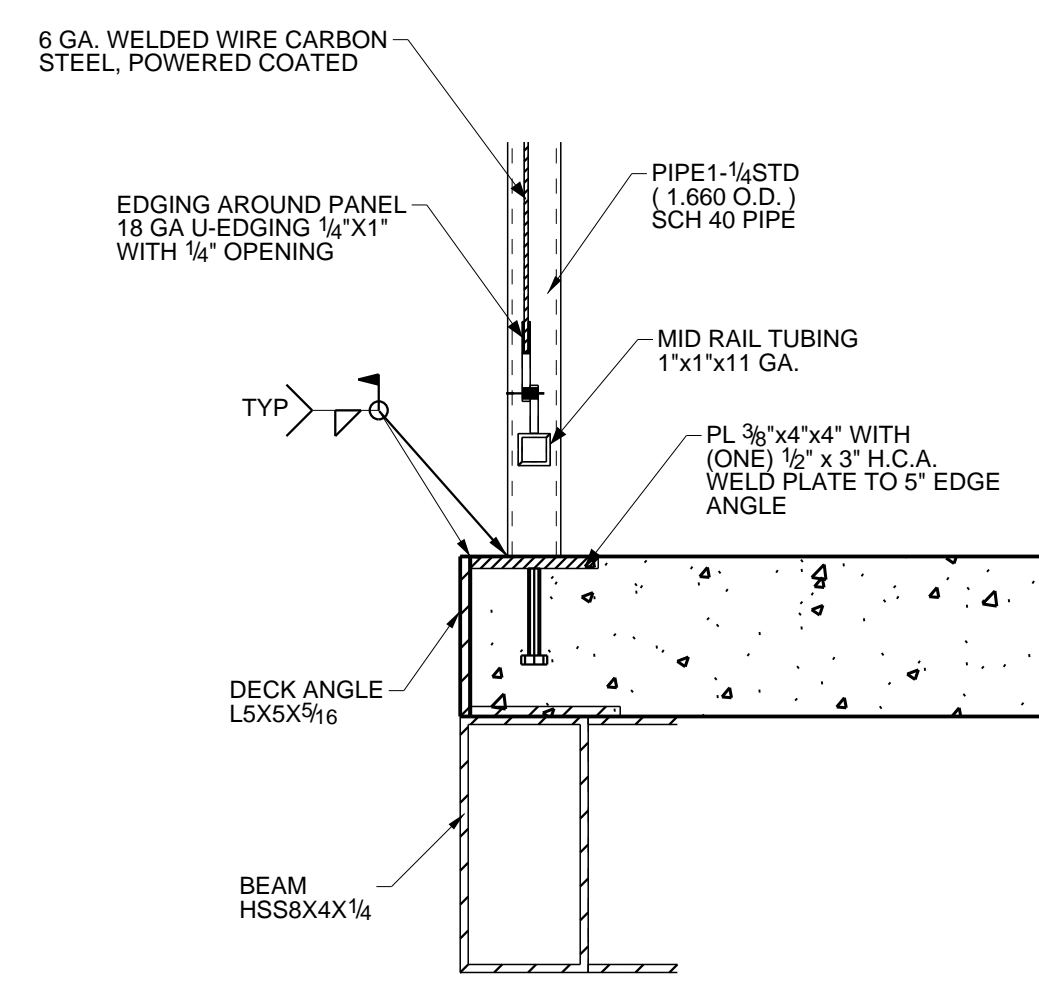
21 ENLARGED ELEVATION VIEW
E104 REF: S201



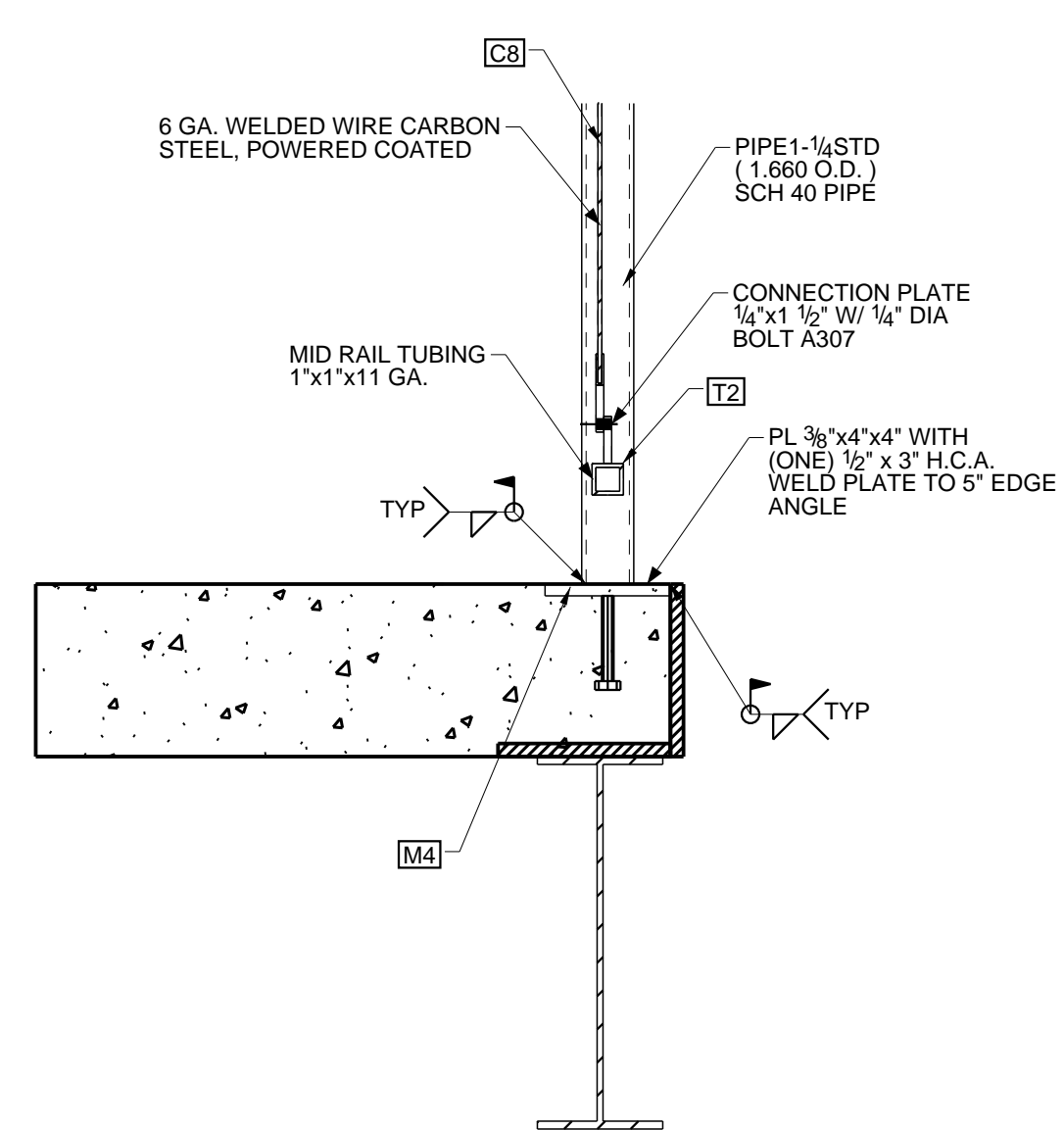
A ENLARGED TOP RAIL DETAIL
E109 REF: 4/A206



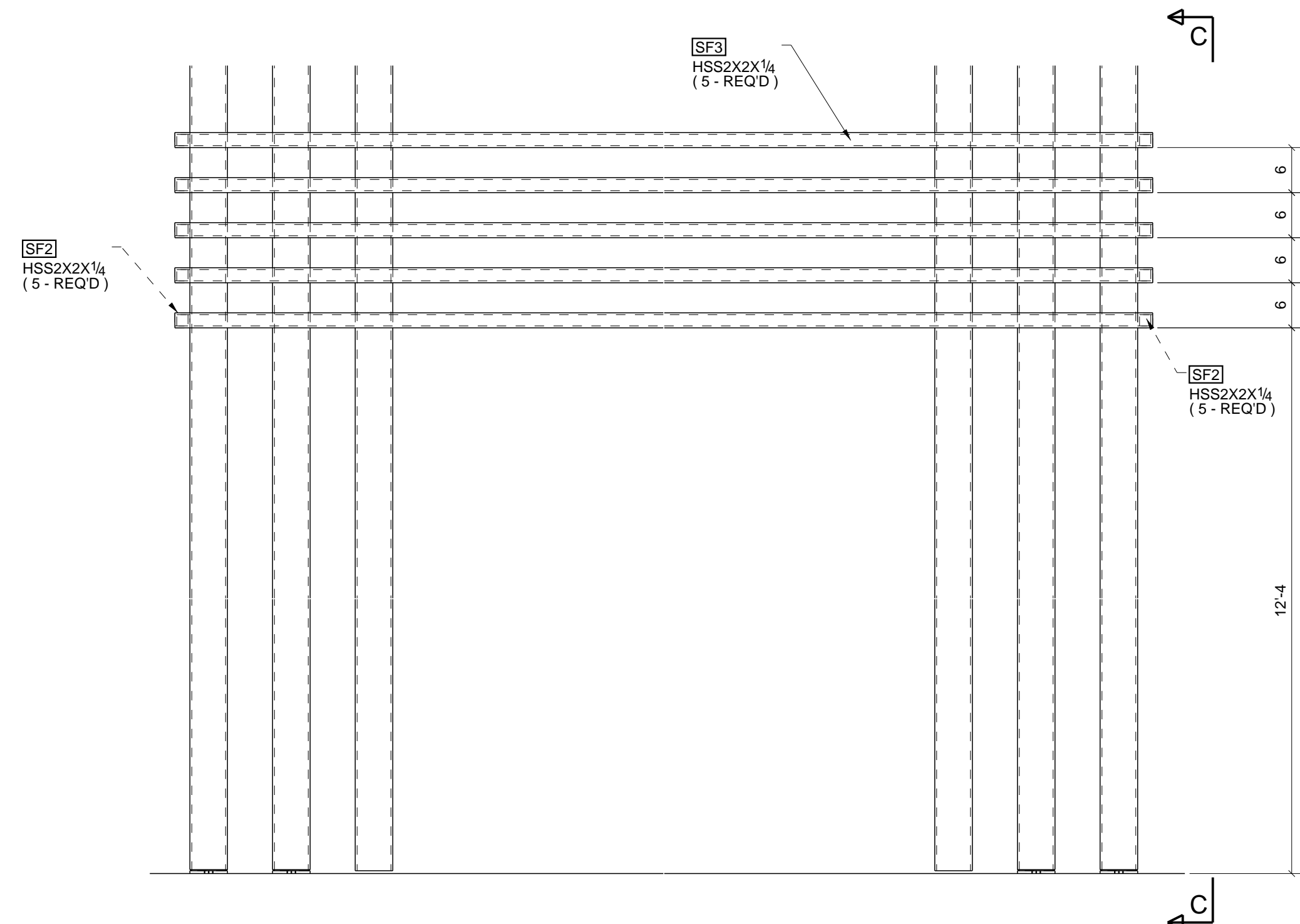
23 ENLARGED SECTION @ RAILING
E109 REF: S201



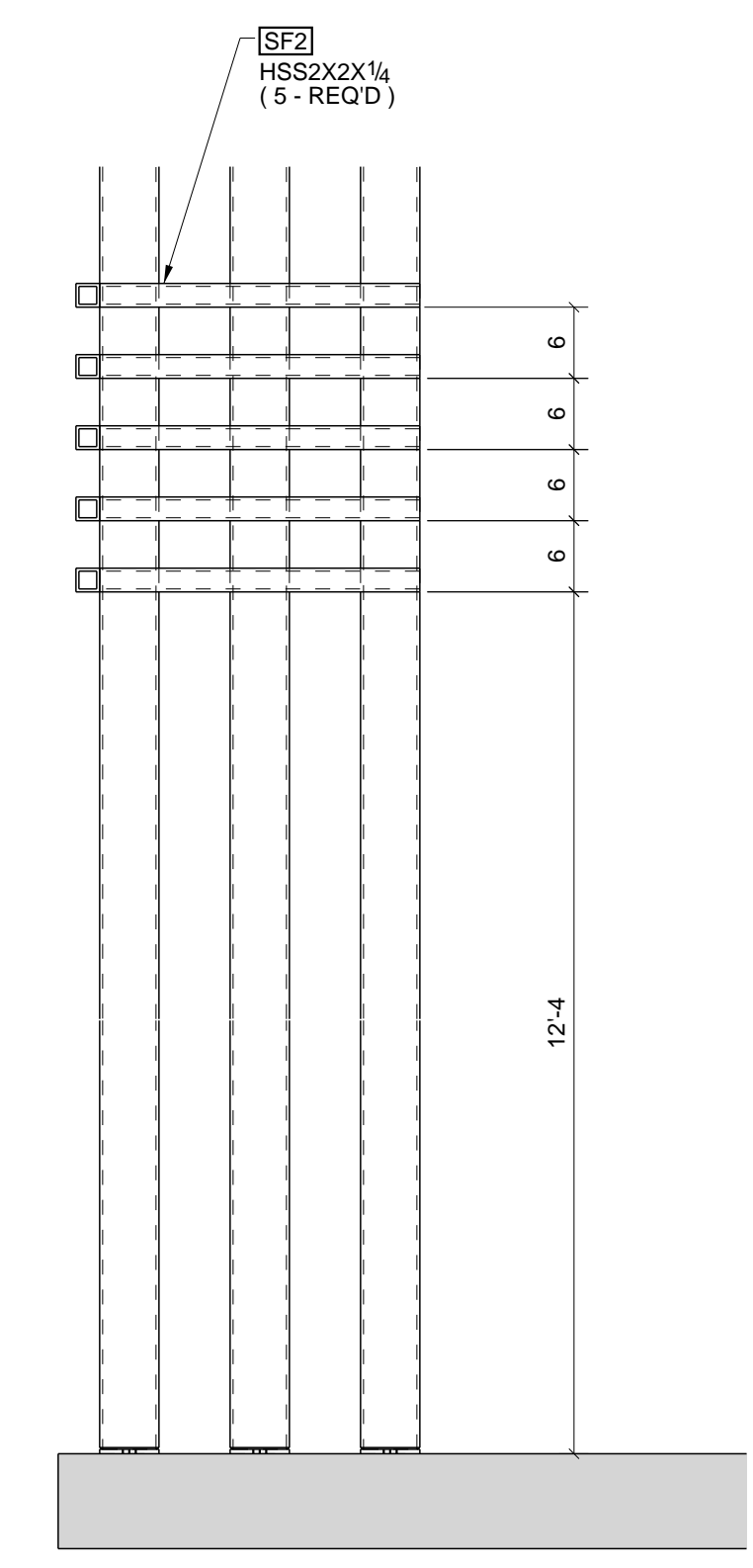
B ENLARGED BOTTOM RAIL DETAIL
E109 REF: 3/A206



E ENLARGED ELEVATION VIEW
E109 REF: S201

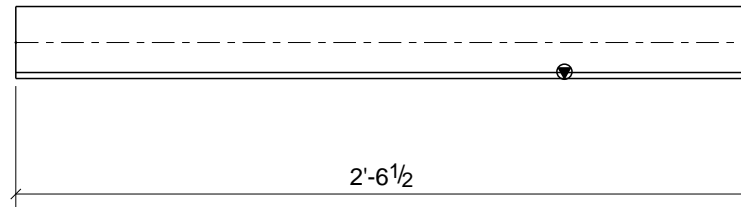


24 ENLARGED FRONT ENTRANCE TUBE
E102 REF:



C ENLARGED FRONT ENTRANCE TUBE
E109 REF:

3	ISSUED FOR APPROVAL	01/14/2024
REV	DESCRIPTION	DATE
BUCHANAN GROUP, LLC		
13617 LYTLE LANE HELOTES, TEXAS 78023		
DESCRIPTION	RAILING & FRONT ENTRY	
PROJECT NAME	COMMUNICARE HEADQUARTERS	
DRAWN BY	JOB No.	DRG No.
DATE DRAWN	01/14/2024	103
		E109



2 - ANGLE BRACINGS - AB2

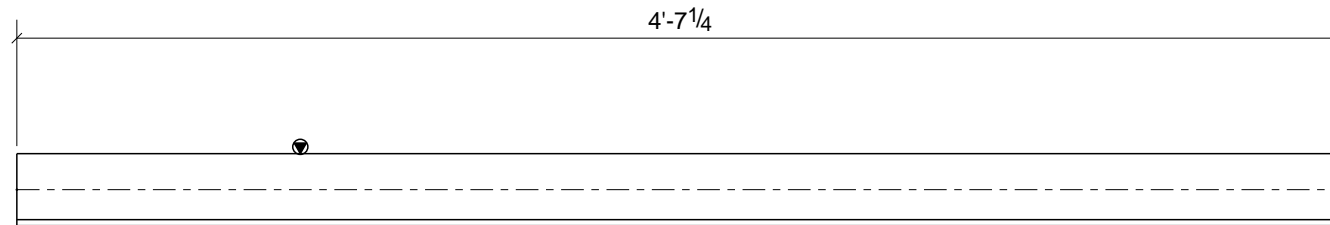
BILL OF MATERIAL

MARK	QTY	DESCRIPTION	LENGTH	WEIGHT	REMARKS	DESCRIPTION	ASSEMBLY	JOB No.	DRG No.
AB2	2	ANGLE BRACINGS			SQ-2	PROJECT NAME	COMMUNICARE HEADQUARTERS		
AB2	2	L3X3X1/4	2'-6 1/2"	25	SHOP PRIMER A36	DRAWN BY	DW	103	AB2
TOTAL WEIGHT THIS DRAWING				25		DATE DRAWN	11/12/2023		

1	RELEASED FOR FABRICATION	11/16/2023
REV	DESCRIPTION	DATE

BUCHANAN GROUP, LLC
 13617 LYTLE LANE
 HELOTES, TEXAS 78023

DESCRIPTION	ASSEMBLY	JOB No.	103	DRG No.	AB2
DRAWN BY	DW	DATE DRAWN	11/12/2023		

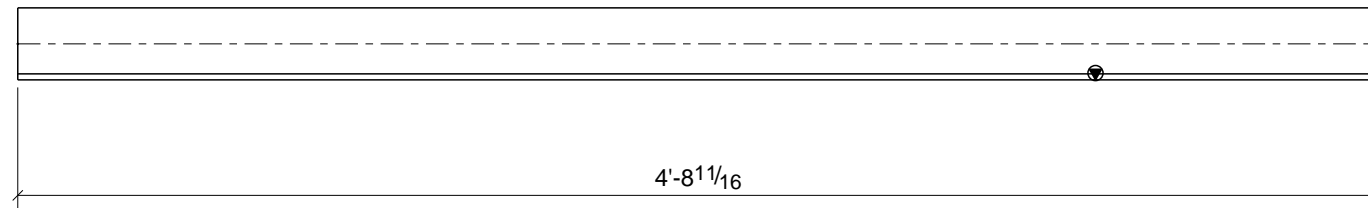


18 - ANGLE BRACINGS - AB3

BILL OF MATERIAL

MARK	QTY	DESCRIPTION	LENGTH	WEIGHT	REMARKS
AB3	18	ANGLE BRACINGS			SQ-2
AB3	18	L3X3X1/4	4'-7 1/4"	406	SHOP PRIMER A36
TOTAL WEIGHT THIS DRAWING				406	

1	RELEASED FOR FABRICATION	11/16/2023
REV	DESCRIPTION	DATE
BUCHANAN GROUP, LLC		
13617 LYTLE LANE HELOTES, TEXAS 78023		
DESCRIPTION	ASSEMBLY	
PROJECT NAME	COMMUNICARE HEADQUARTERS	
DRAWN BY	DW	JOB No. 103
DATE DRAWN	11/12/2023	DRG No. AB3

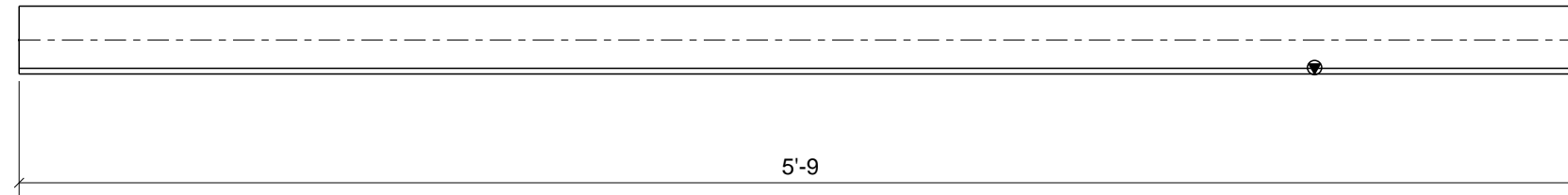


4 - ANGLE BRACINGS - AB4

BILL OF MATERIAL

MARK	QTY	DESCRIPTION	LENGTH	WEIGHT	REMARKS	DESCRIPTION	ASSEMBLY	JOB No.	DRG No.
AB4	4	ANGLE BRACINGS			SQ-2	PROJECT NAME	COMMUNICARE HEADQUARTERS		
AB4	4	L3X3X1/4	4'-8 11/16"	93	SHOP PRIMER A36	DRAWN BY	DW	103	AB4
TOTAL WEIGHT THIS DRAWING				93		DATE DRAWN	11/12/2023		

1	RELEASED FOR FABRICATION	11/16/2023
REV	DESCRIPTION	DATE
BUCHANAN GROUP, LLC		
13617 LYTTLE LANE HELOTES, TEXAS 78023		
DESCRIPTION ASSEMBLY		
PROJECT NAME COMMUNICARE HEADQUARTERS		
DRAWN BY DW		
DATE DRAWN 11/12/2023		
JOB No. 103		
DRG No. AB4		



10 - ANGLE BRACINGS - AB5

BILL OF MATERIAL

MARK	QTY	DESCRIPTION	LENGTH	WEIGHT	REMARKS	DESCRIPTION	ASSEMBLY	JOB No.	DRG No.
AB5	10	ANGLE BRACINGS			SQ-2	PROJECT NAME	COMMUNICARE HEADQUARTERS		
AB5	10	L3X3X1/4	5'-9"	282	SHOP PRIMER A36	DRAWN BY	DW	103	AB5
TOTAL WEIGHT THIS DRAWING				282		DATE DRAWN	11/12/2023		

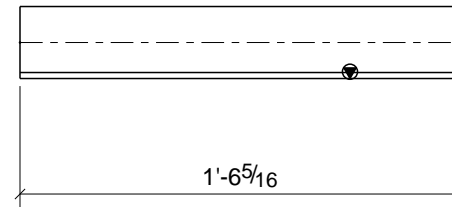
1	RELEASED FOR FABRICATION	11/16/2023
REV	DESCRIPTION	DATE

BUCHANAN GROUP, LLC

13617 LYTLE LANE
HELOTES, TEXAS 78023

DESCRIPTION	ASSEMBLY
PROJECT NAME	COMMUNICARE HEADQUARTERS
DRAWN BY	DW
DATE DRAWN	11/12/2023

JOB No. 103
DRG No. AB5

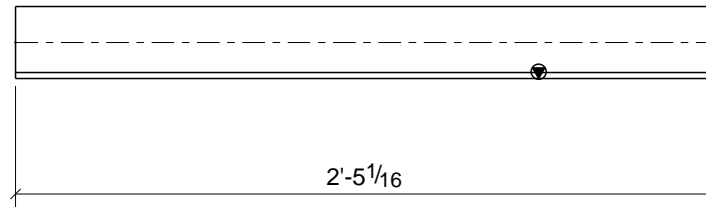


10 - ANGLE BRACINGS - AB6

BILL OF MATERIAL

MARK	QTY	DESCRIPTION	LENGTH	WEIGHT	REMARKS	DESCRIPTION	ASSEMBLY	JOB No.	DRG No.
AB6	10	ANGLE BRACINGS			SQ-2	PROJECT NAME	COMMUNICARE HEADQUARTERS		
AB6	10	L3X3X1/4	1'-6 5/16"	75	SHOP PRIMER A36	DRAWN BY	DW	103	AB6
TOTAL WEIGHT THIS DRAWING				75		DATE DRAWN	11/12/2023		

1	RELEASED FOR FABRICATION	11/16/2023
REV	DESCRIPTION	DATE
BUCHANAN GROUP, LLC		
13617 LYTLE LANE HELOTES, TEXAS 78023		
DESCRIPTION ASSEMBLY		
PROJECT NAME COMMUNICARE HEADQUARTERS		
DRAWN BY DW		
DATE DRAWN 11/12/2023		
JOB No. 103		
DRG No. AB6		



16 - ANGLE BRACINGS - AB7

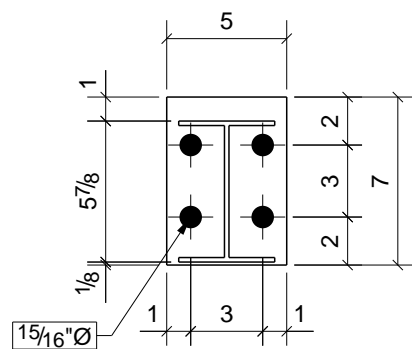
BILL OF MATERIAL

MARK	QTY	DESCRIPTION	LENGTH	WEIGHT	REMARKS	DESCRIPTION	ASSEMBLY	JOB No.	DRG No.
AB7	16	ANGLE BRACINGS			SQ-2	PROJECT NAME	COMMUNICARE HEADQUARTERS		
AB7	16	L3X3X1/4	2'-5 1/16"	190	SHOP PRIMER A36	DRAWN BY	DW	103	AB7
TOTAL WEIGHT THIS DRAWING				190		DATE DRAWN	11/12/2023		

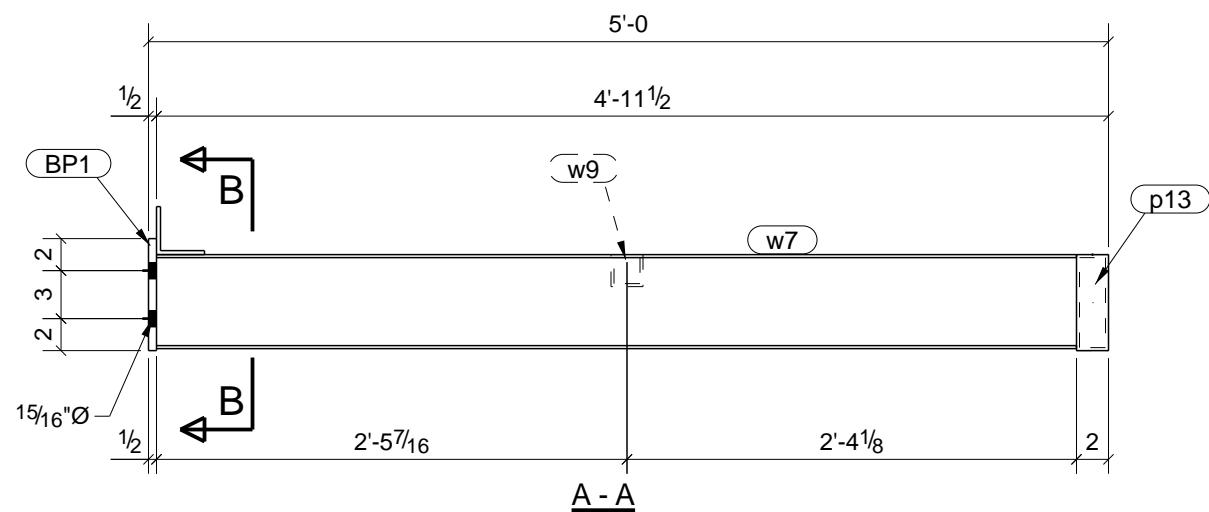
1	RELEASED FOR FABRICATION	11/16/2023
REV	DESCRIPTION	DATE

BUCHANAN GROUP, LLC
 13617 LYTTLE LANE
 HELOTES, TEXAS 78023

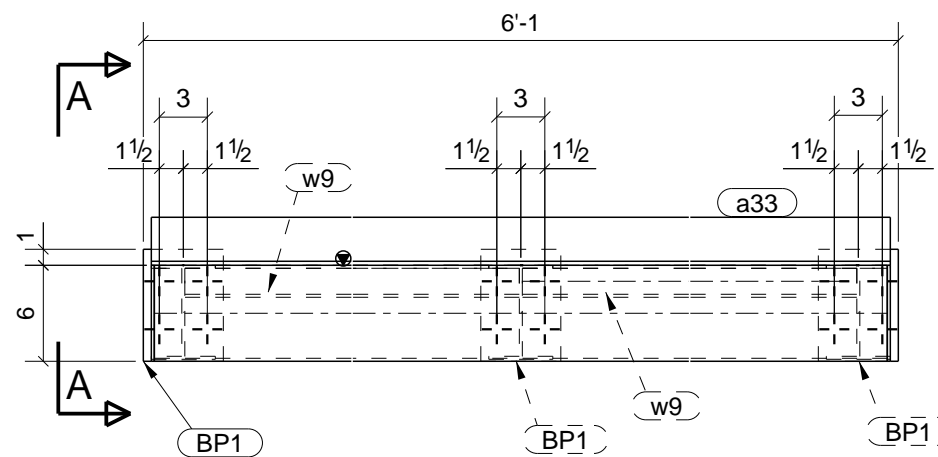
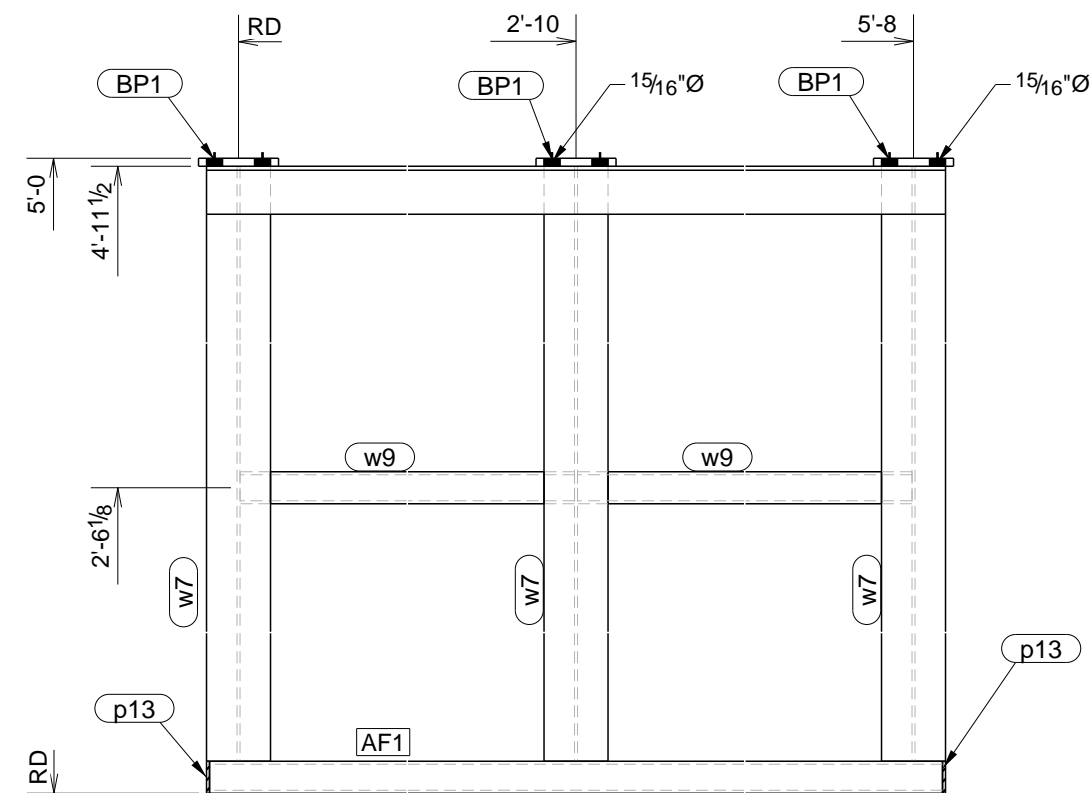
DESCRIPTION	ASSEMBLY	JOB No.	DRG No.
PROJECT NAME	COMMUNICARE HEADQUARTERS	103	AB7
DRAWN BY	DW		
DATE DRAWN	11/12/2023		



B - B



A - A

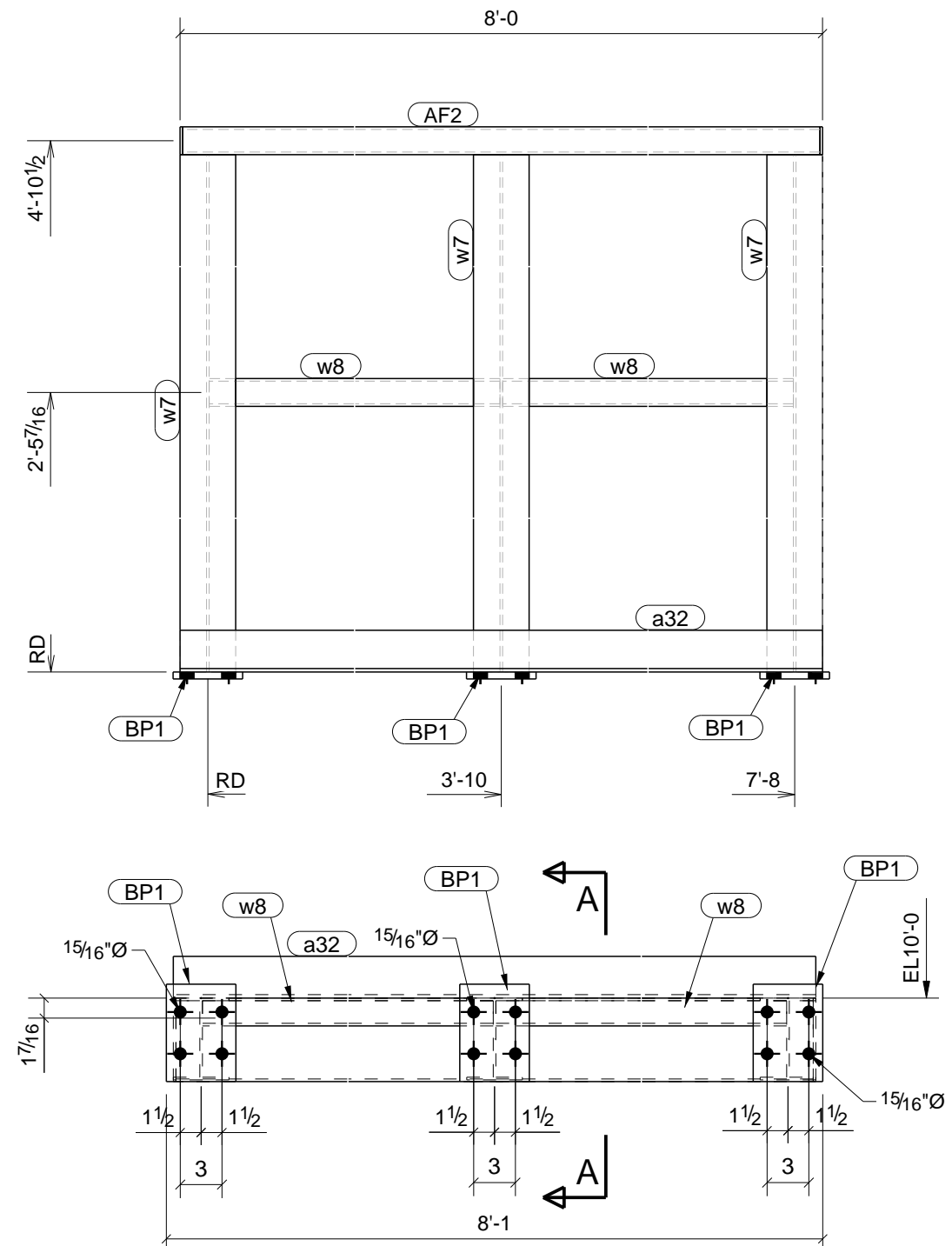
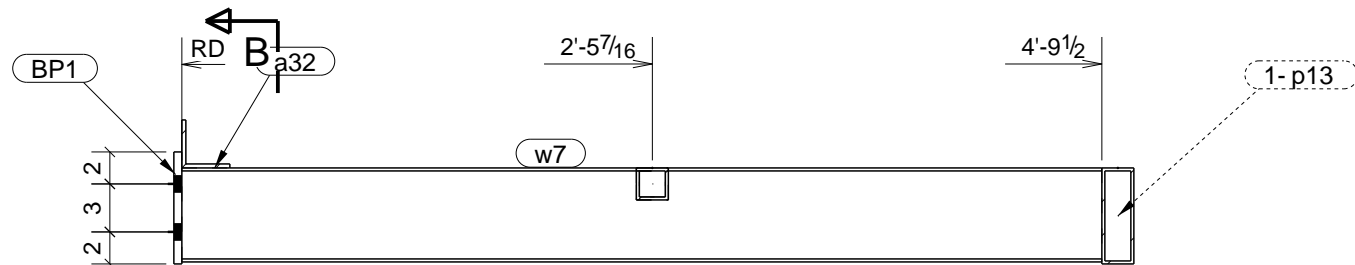
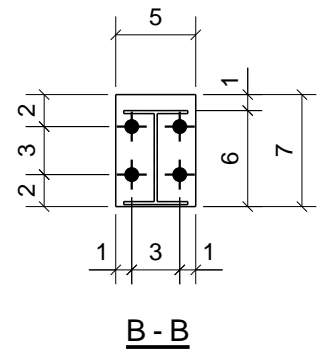


ONE - AWNING FRAMING - AF1

BILL OF MATERIAL

MARK	QTY	DESCRIPTION	LENGTH	WEIGHT	REMARKS
AF1	1	AWNING FRAMING			SQ-2
AF1	1	HSS6X2X3/16	5'-11 5/8"	52	SHOP PRIMER A500-GR.B
BP1	3	FB1/2"X5"	0'-7"	15	A36
a33	1	L3X3X1/4	6'-0"	29	SHOP PRIMER A500-GR.B
p13	2	FB3/16"X2"	0'-6"	1	A36
w7	3	W6X9	4'-9 1/2"	131	SHOP PRIMER A992
w9	2	HSS2X2X3/16	2'-9 13/16"	23	SHOP PRIMER A500-GR.B
TOTAL WEIGHT THIS DRAWING				252	

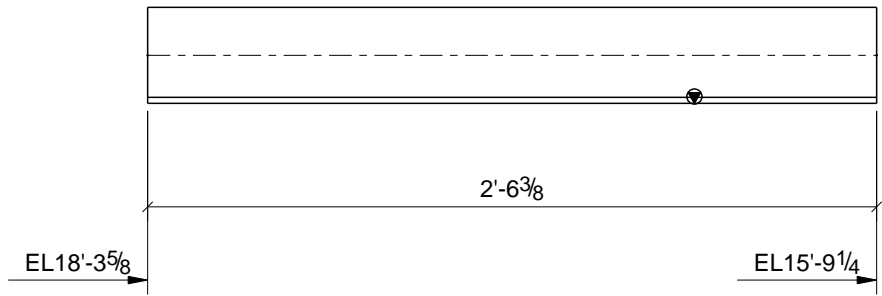
2	RESUBMIT FOR APPROVAL	12/01/2023
REV	DESCRIPTION	DATE
BUCHANAN GROUP, LLC		
13617 LYTLE LANE HELOTES, TEXAS 78023		
DESCRIPTION	ASSEMBLY 2	
PROJECT NAME	COMMUNICARE HEADQUARTERS	
DRAWN BY		JOB No. 103
DATE DRAWN	11/21/2023	DRG No. AF1



9 - AWNING FRAMINGS - AF2

BILL OF MATERIAL					
MARK	QTY	DESCRIPTION	LENGTH	WEIGHT	REMARKS
AF2	9	AWNING FRAMINGS			SQ-2
AF2	9	HSS6X2X3/16	7'-11 5/8"	630	SHOP PRIMER A500-GR.B
BP1	27	FB1/2"X5"	0'-7"	134	A36
a32	9	L3X3X1/4	8'-0"	353	SHOP PRIMER A500-GR.B
p13	18	FB3/16"X2"	0'-6"	11	A36
w7	27	W6X9	4'-9 1/2"	1180	SHOP PRIMER A992
w8	18	HSS2X2X3/16	3'-9 13/16"	278	SHOP PRIMER A500-GR.B
TOTAL WEIGHT THIS DRAWING				2586	

2	RESUBMIT FOR APPROVAL	12/01/2023
REV	DESCRIPTION	DATE
BUCHANAN GROUP, LLC 13617 LYTLE LANE HELOTES, TEXAS 78023		
DESCRIPTION	ASSEMBLY 2	
PROJECT NAME	COMMUNICARE HEADQUARTERS	
DRAWN BY		JOB No. 103
DATE DRAWN	11/21/2023	DRG No. AF2



10 - ANGLE STIFFNERS - AS1

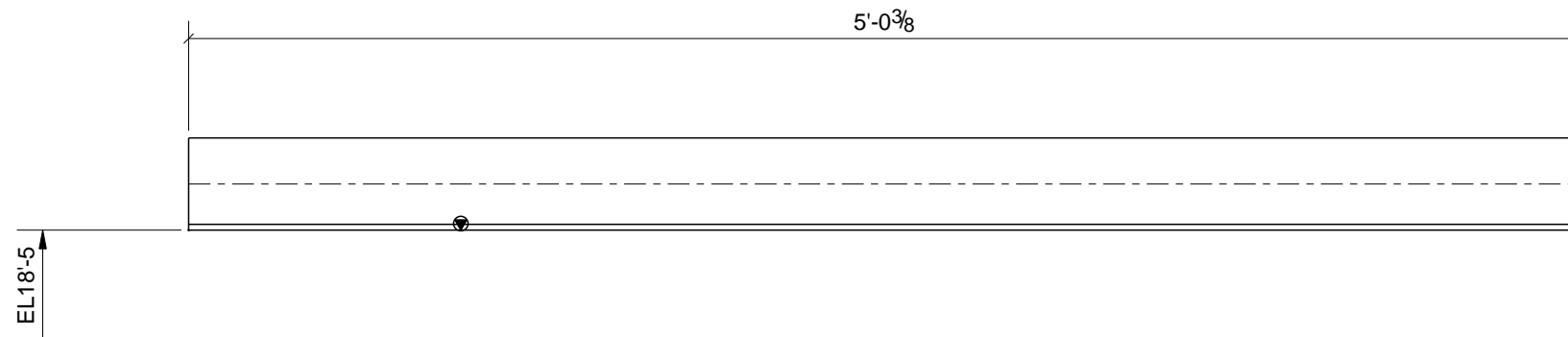
BILL OF MATERIAL

MARK	QTY	DESCRIPTION	LENGTH	WEIGHT	REMARKS	DESCRIPTION	ASSEMBLY	JOB No.	DRG No.
AS1	10	ANGLE STIFFNERS			SQ-2	PROJECT NAME	COMMUNICARE HEADQUARTERS		
AS1	10	L4X4X1/4	2'-6 3/8"	166	SHOP PRIMER A36	DRAWN BY	DW	103	AS1
TOTAL WEIGHT THIS DRAWING				166		DATE DRAWN	11/12/2023		

1	RELEASED FOR FABRICATION	11/16/2023
REV	DESCRIPTION	DATE

BUCHANAN GROUP, LLC
 13617 LYTLE LANE
 HELOTES, TEXAS 78023

DESCRIPTION	ASSEMBLY
DATE DRAWN	11/12/2023



8 - ANGLE STIFFNERS - AS2

BILL OF MATERIAL					
MARK	QTY	DESCRIPTION	LENGTH	WEIGHT	REMARKS
AS2	8	ANGLE STIFFNERS			SQ-2
AS2	8	L4X4X1/4	5'-0 3/8"	264	SHOP PRIMER A36
TOTAL WEIGHT THIS DRAWING				264	

1	RELEASED FOR FABRICATION	11/16/2023
REV	DESCRIPTION	DATE
BUCHANAN GROUP, LLC 13617 LYTLE LANE HELOTES, TEXAS 78023		
DESCRIPTION	ASSEMBLY	
PROJECT NAME	COMMUNICARE HEADQUARTERS	
DRAWN BY	DW	JOB No. 103
DATE DRAWN	11/12/2023	DRG No. AS2

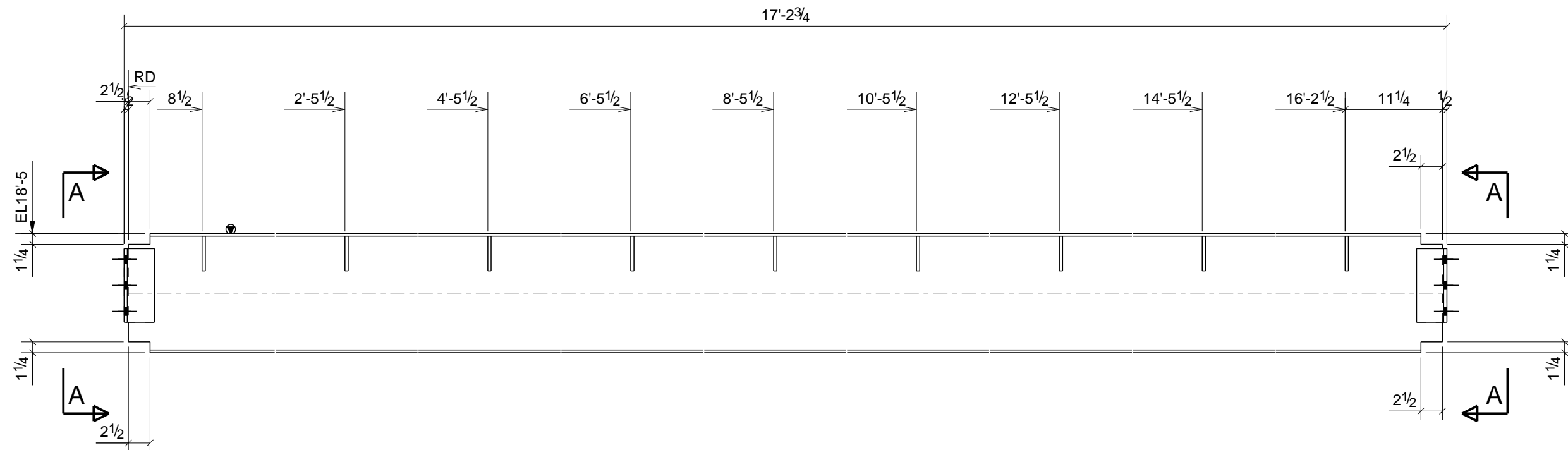
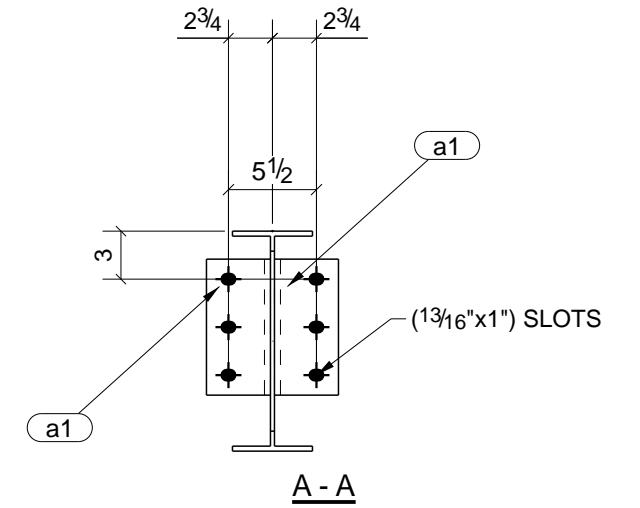
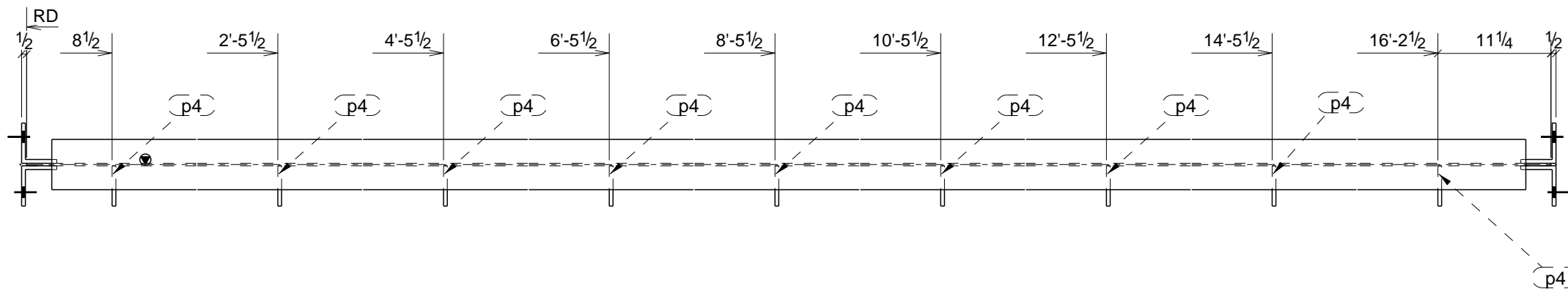


2 - ANGLE STIFFNERS - AS3

BILL OF MATERIAL

MARK	QTY	DESCRIPTION	LENGTH	WEIGHT	REMARKS
AS3	2	ANGLE STIFFNERS			SQ-2
AS3	2	L4X4X1/4	5'-0 3/8"	66	SHOP PRIMER A36
TOTAL WEIGHT THIS DRAWING				66	

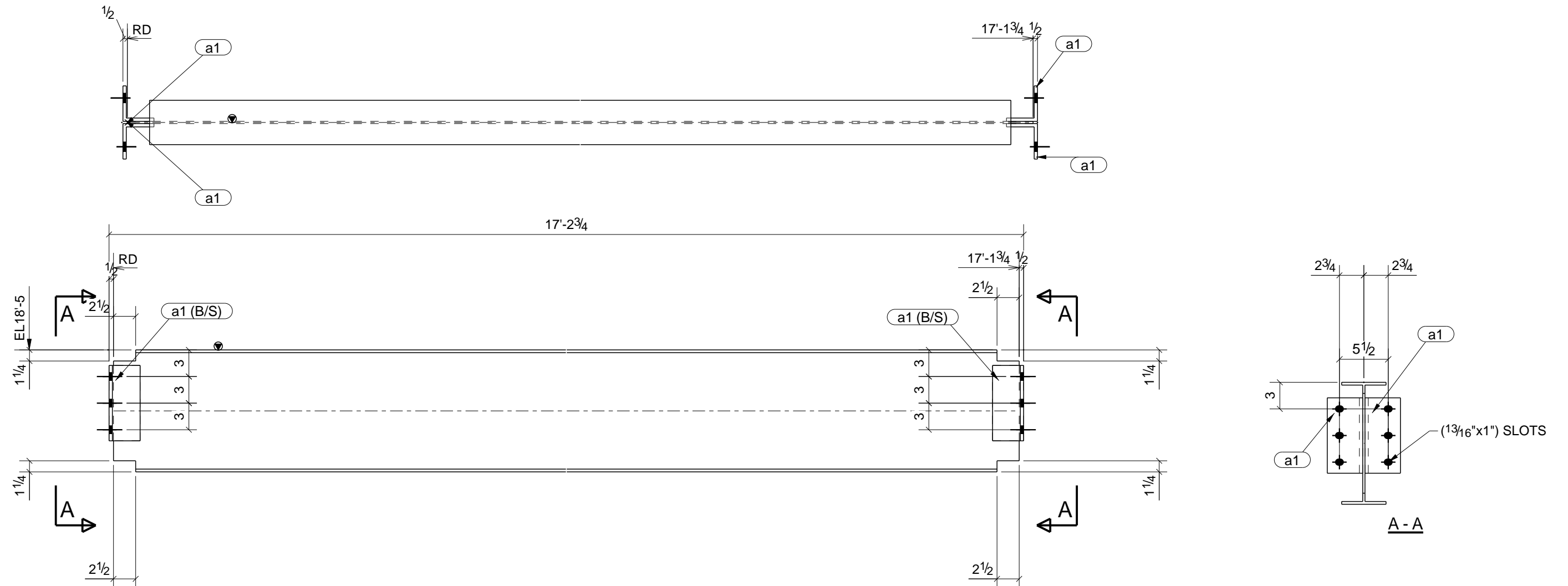
1	RELEASED FOR FABRICATION	11/16/2023
REV	DESCRIPTION	DATE
BUCHANAN GROUP, LLC		
13617 LYTLE LANE HELOTES, TEXAS 78023		
DESCRIPTION	ASSEMBLY	
PROJECT NAME	COMMUNICARE HEADQUARTERS	
DRAWN BY	DW	JOB No. 103
DATE DRAWN	11/12/2023	DRG No. AS3



ONE - BEAM - B1

BILL OF MATERIAL						BUCHANAN GROUP, LLC		13617 LYTLE LANE HELOTES, TEXAS 78023	
MARK	QTY	DESCRIPTION	LENGTH	WEIGHT	REMARKS	DESCRIPTION	ASSEMBLY	PROJECT NAME	COMMUNICARE HEADQUARTERS
B1	1	BEAM			SQ-2	DESCRIPTION	ASSEMBLY	DRAWN BY	DW
B1	1	W14X22	17'-1 3/4"	379	SHOP PRIMER A992	DATE DRAWN	11/12/2023	JOB No.	103
a1	4	L4X3-1/2X3/8	0'-8 1/2"	26	A36			DRG No.	B1
p4	9	FB3/8"X4"	0'-4"	15	SHOP PRIMER A36				
TOTAL WEIGHT THIS DRAWING				420					

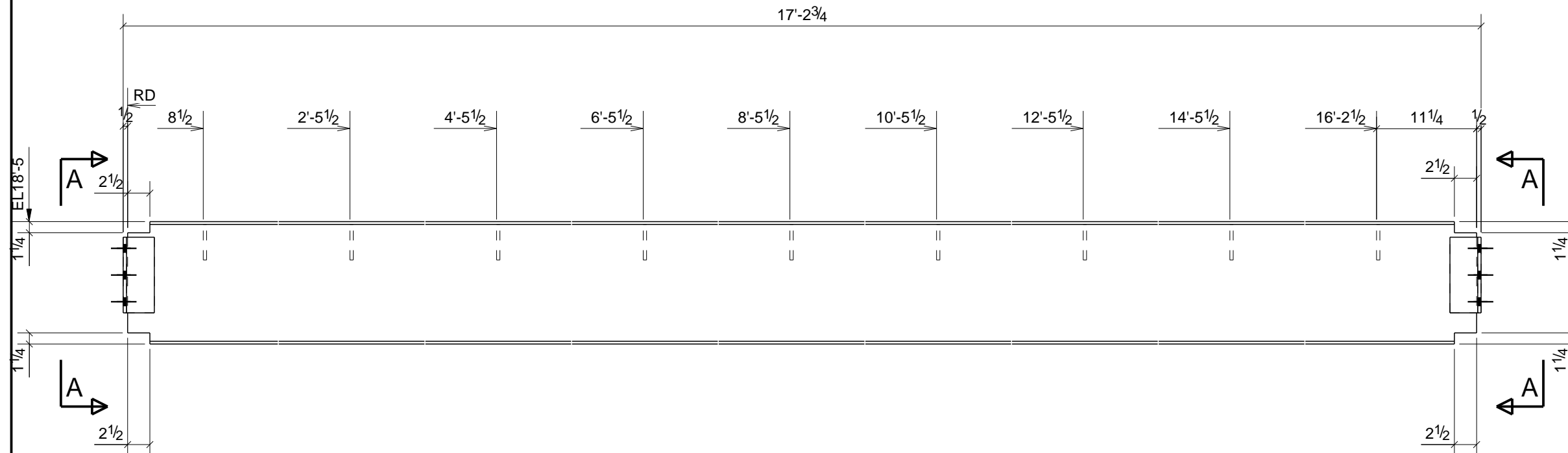
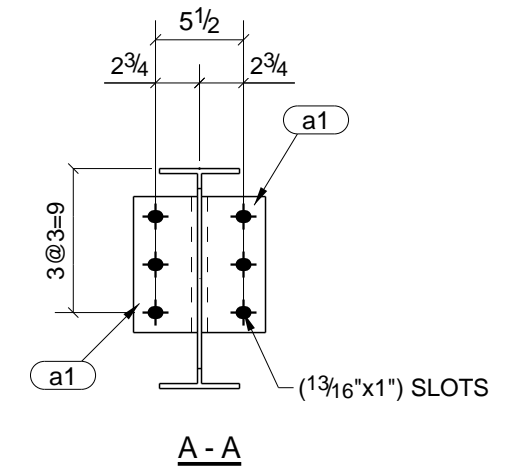
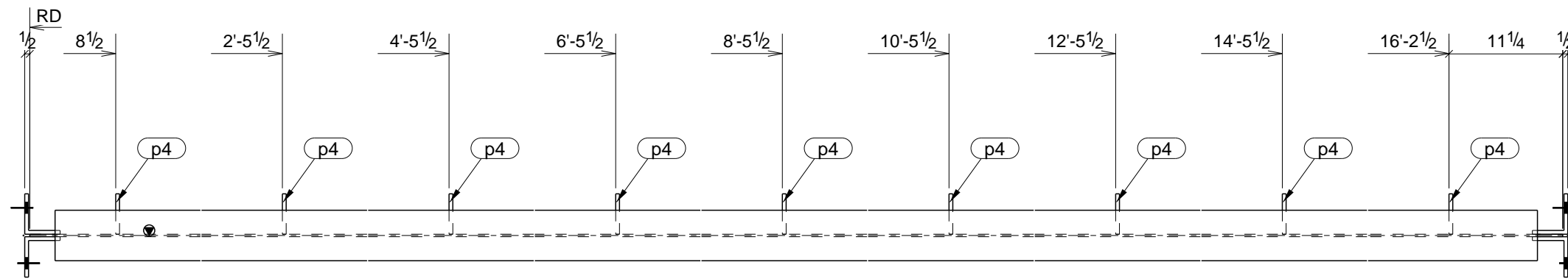
REV	DESCRIPTION	DATE
1	RELEASED FOR FABRICATION	11/16/2023



ONE - BEAM - B2

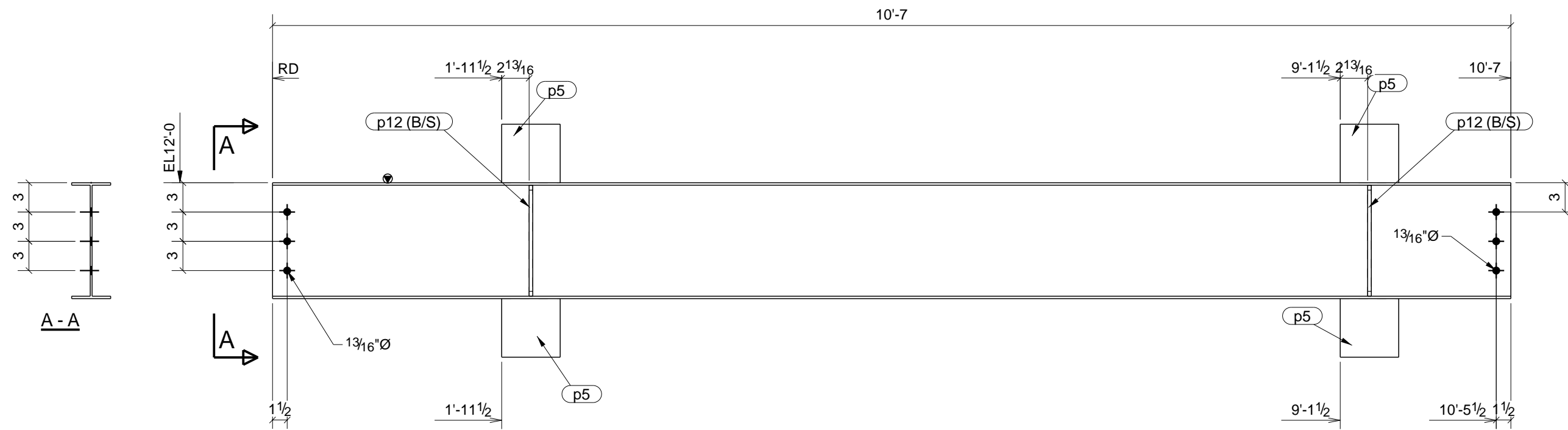
BILL OF MATERIAL					
MARK	QTY	DESCRIPTION	LENGTH	WEIGHT	REMARKS
B2	1	BEAM			SQ-2
B2	1	W14X22	17'-1 3/4"	379	SHOP PRIMER A992
a1	4	L4X3-1/2X3/8	0'-8 1/2"	26	A36
TOTAL WEIGHT THIS DRAWING				405	

1	RELEASED FOR FABRICATION	11/16/2023
REV	DESCRIPTION	DATE
BUCHANAN GROUP, LLC		
13617 LYTLE LANE HELOTES, TEXAS 78023		
DESCRIPTION	ASSEMBLY	
PROJECT NAME	COMMUNICARE HEADQUARTERS	
DRAWN BY	DW	JOB No.
DATE DRAWN	11/12/2023	103
		DRG No. B2



ONE - BEAM - B3

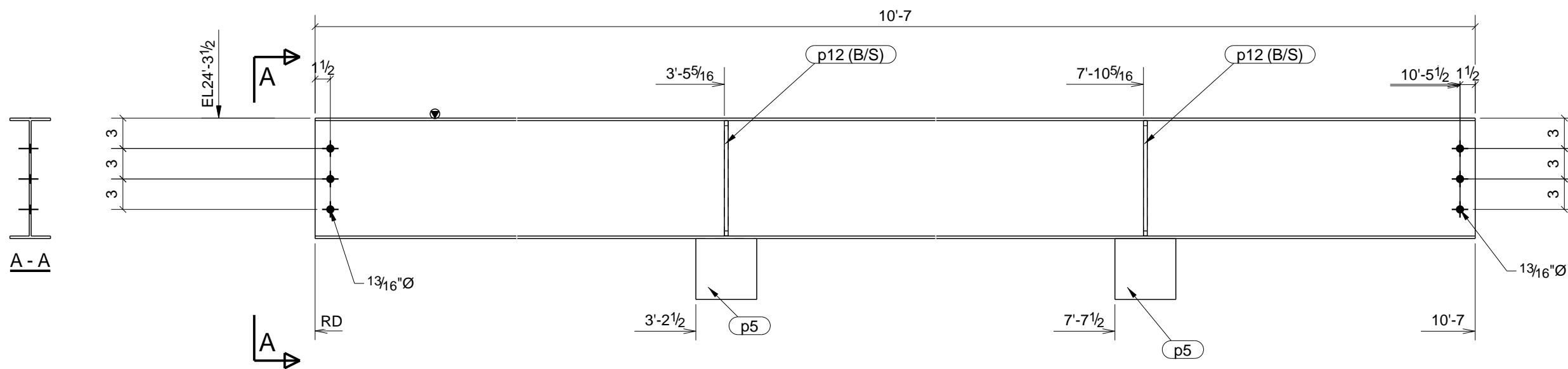
					1	RELEASED FOR FABRICATION	11/16/2023
					REV	DESCRIPTION	DATE
BILL OF MATERIAL					BUCHANAN GROUP, LLC		
MARK	QTY	DESCRIPTION	LENGTH	WEIGHT	REMARKS	13617 LYTLE LANE HELOTES, TEXAS 78023	
B3	1	BEAM			SQ-2	DESCRIPTION	ASSEMBLY
B3	1	W14X22	17'-1 3/4"	379	SHOP PRIMER A992	PROJECT NAME	COMMUNICARE HEADQUARTERS
a1	4	L4X3-1/2X3/8	0'-8 1/2"	26	A36	DRAWN BY	DW
p4	9	FB3/8"X4"	0'-4"	15	SHOP PRIMER A36	DATE DRAWN	11/12/2023
TOTAL WEIGHT THIS DRAWING				420	JOB No.		103
						DRG No.	
						B3	



ONE - BEAM - B4

BILL OF MATERIAL					
MARK	QTY	DESCRIPTION	LENGTH	WEIGHT	REMARKS
B4	1	BEAM			SQ-2
B4	1	W12X14	10'-7"	150	SHOP PRIMER A992
p5	4	FB3/8"X6"	0'-6"	15	SHOP PRIMER A36
p12	4	PL3/8"X1 7/8"	0'-11 3/8"	9	A36
TOTAL WEIGHT THIS DRAWING				174	

2	RESUBMIT FOR APPROVAL	12/01/2023
REV	DESCRIPTION	DATE
BUCHANAN GROUP, LLC 13617 LYTLE LANE HELOTES, TEXAS 78023		
DESCRIPTION	ASSEMBLY 2	
PROJECT NAME	COMMUNICARE HEADQUARTERS	
DRAWN BY	JOB No.	DRG No.
DATE DRAWN	11/19/2023	103
		B4

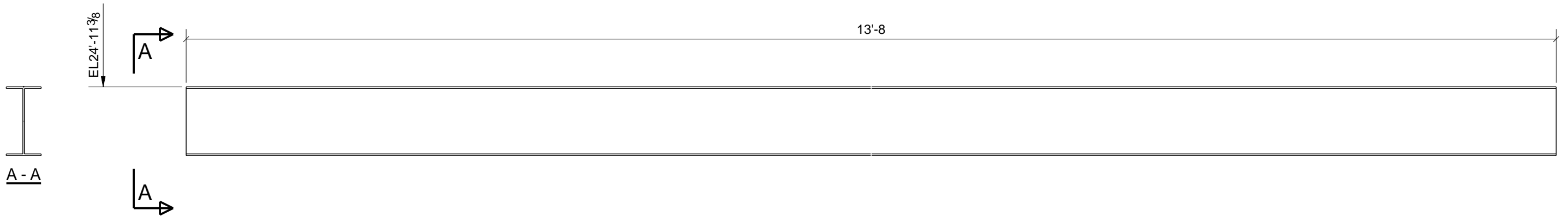


ONE - BEAM - B5

BILL OF MATERIAL						BUCHANAN GROUP, LLC	
MARK	QTY	DESCRIPTION	LENGTH	WEIGHT	REMARKS	DESCRIPTION	ASSEMBLY 2
B5	1	BEAM			SQ-2	13617 LYTLE LANE	
B5	1	W12X14	10'-7"	150	SHOP PRIMER A992	HELOTES, TEXAS 78023	
p5	2	FB3/8"X6"	0'-6"	8	SHOP PRIMER A36	PROJECT NAME	COMMUNICARE HEADQUARTERS
p12	4	PL3/8"X1 7/8"	0'-11 3/8"	9	A36	DRAWN BY	
TOTAL WEIGHT THIS DRAWING				167		DATE DRAWN	11/19/2023

REV	DESCRIPTION	DATE
2	RESUBMIT FOR APPROVAL	12/01/2023

JOB No.	103	DRG No.	B5
---------	-----	---------	----



18 - BEAMS - B6

BILL OF MATERIAL

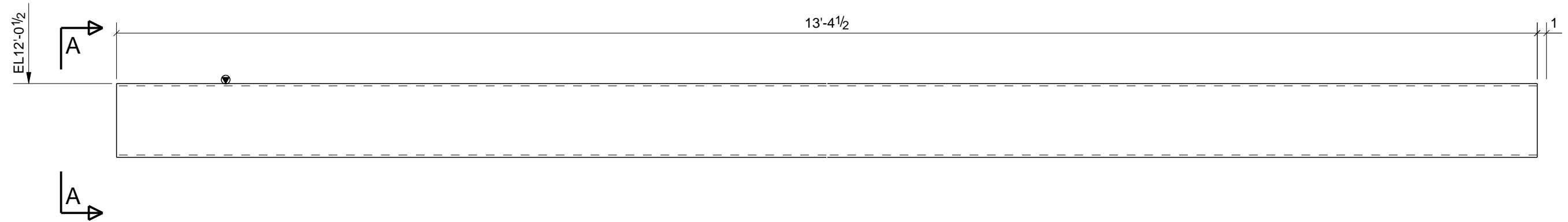
MARK	QTY	DESCRIPTION	LENGTH	WEIGHT	REMARKS	DESCRIPTION	ASSEMBLY 2	JOB No.	DRG No.
B6	18	BEAMS			SQ-2	PROJECT NAME	COMMUNICARE HEADQUARTERS		
B6	18	W8X10	13'-8"	2478	SHOP PRIMER A992	DRAWN BY		103	B6
TOTAL WEIGHT THIS DRAWING				2478		DATE DRAWN	11/19/2023		

2	RESUBMIT FOR APPROVAL	12/01/2023
REV	DESCRIPTION	DATE

BUCHANAN GROUP, LLC
 13617 LYTLE LANE
 HELOTES, TEXAS 78023



A - A

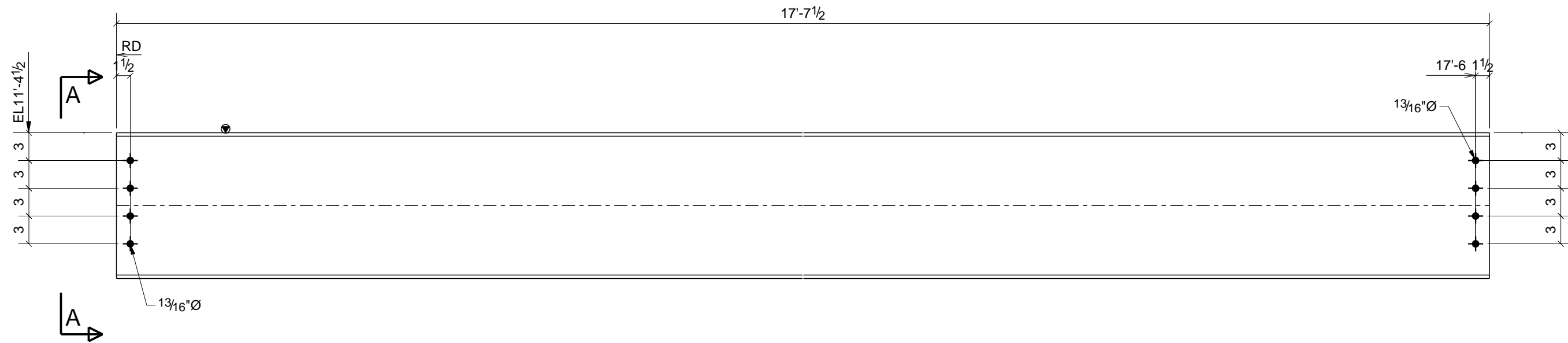
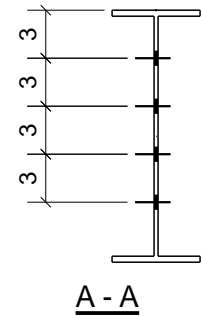


20 - BEAMS - B7

BILL OF MATERIAL

MARK	QTY	DESCRIPTION	LENGTH	WEIGHT	REMARKS
B7	20	BEAMS			SQ-2
B7	20	HSS8X4X1/4	13'-4 1/2"	4770	SHOP PRIMER A500-GR.B
TOTAL WEIGHT THIS DRAWING				4770	

2	RESUBMIT FOR APPROVAL	12/01/2023
REV	DESCRIPTION	DATE
BUCHANAN GROUP, LLC		
13617 LYTLE LANE HELOTES, TEXAS 78023		
DESCRIPTION	ASSEMBLY 2	
PROJECT NAME	COMMUNICARE HEADQUARTERS	
DRAWN BY		JOB No. 103
DATE DRAWN	11/21/2023	DRG No. B7



4 - BEAMS - B8

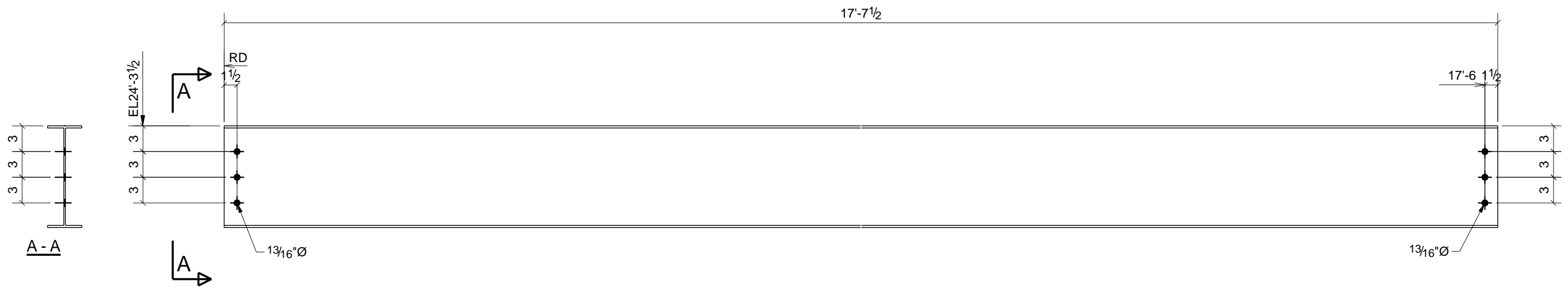
BILL OF MATERIAL

MARK	QTY	DESCRIPTION	LENGTH	WEIGHT	REMARKS	DESCRIPTION	ASSEMBLY 2
B8	4	BEAMS			SQ-2	PROJECT NAME	COMMUNICARE HEADQUARTERS
B8	4	W16X26	17'-7 1/2"	1843	SHOP PRIMER A992	DRAWN BY	JOB No. 103
TOTAL WEIGHT THIS DRAWING				1843		DATE DRAWN	11/19/2023
							DRG No. B8

2	RESUBMIT FOR APPROVAL	12/01/2023
REV	DESCRIPTION	DATE

BUCHANAN GROUP, LLC

13617 LYTLE LANE
HELOTES, TEXAS 78023



4 - BEAMS - B9

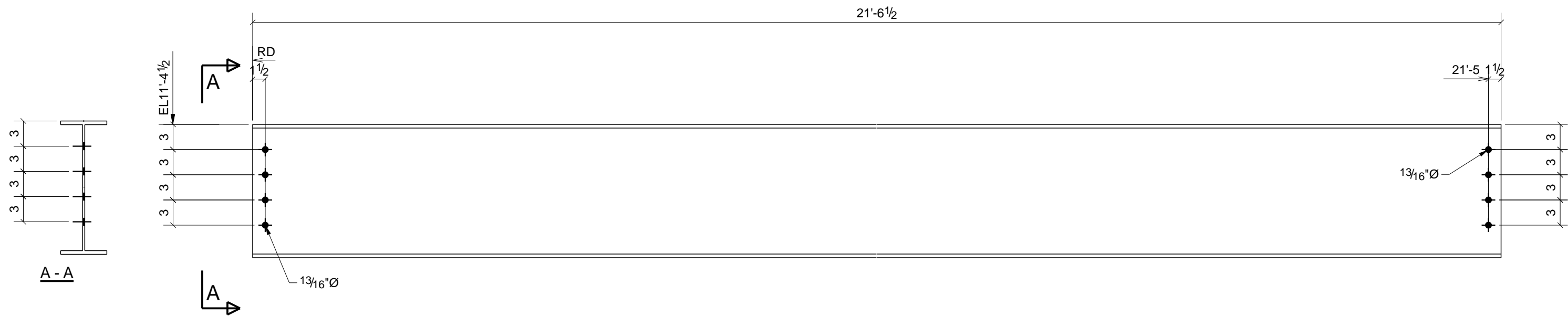
BILL OF MATERIAL

MARK	QTY	DESCRIPTION	LENGTH	WEIGHT	REMARKS	DESCRIPTION	ASSEMBLY 2	JOB No.	DRG No.
B9	4	BEAMS			SQ-2	PROJECT NAME	COMMUNICARE HEADQUARTERS		
B9	4	W12X14	17'-7 1/2"	998	SHOP PRIMER A992	DRAWN BY		103	B9
TOTAL WEIGHT THIS DRAWING				998		DATE DRAWN	11/19/2023		

2	RESUBMIT FOR APPROVAL	12/01/2023
REV	DESCRIPTION	DATE

BUCHANAN GROUP, LLC

13617 LYTLE LANE
HELOTES, TEXAS 78023

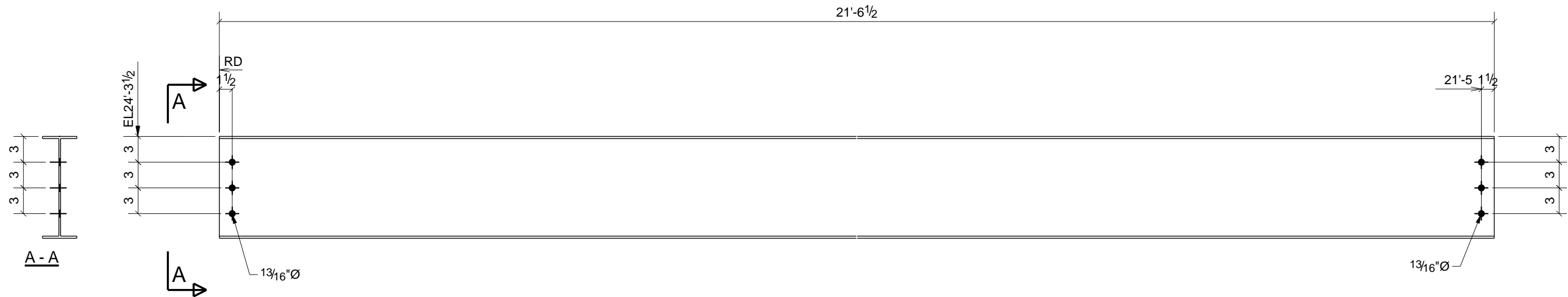


4 - BEAMS - B10

BILL OF MATERIAL

MARK	QTY	DESCRIPTION	LENGTH	WEIGHT	REMARKS
B10	4	BEAMS			SQ-2
B10	4	W16X31	21'-6 1/2"	2677	SHOP PRIMER A992
TOTAL WEIGHT THIS DRAWING				2677	

2	RESUBMIT FOR APPROVAL	12/01/2023
REV	DESCRIPTION	DATE
BUCHANAN GROUP, LLC		
13617 LYTLE LANE HELOTES, TEXAS 78023		
DESCRIPTION	ASSEMBLY 2	
PROJECT NAME	COMMUNICARE HEADQUARTERS	
DRAWN BY	JOB No.	DRG No.
DATE DRAWN	103	B10

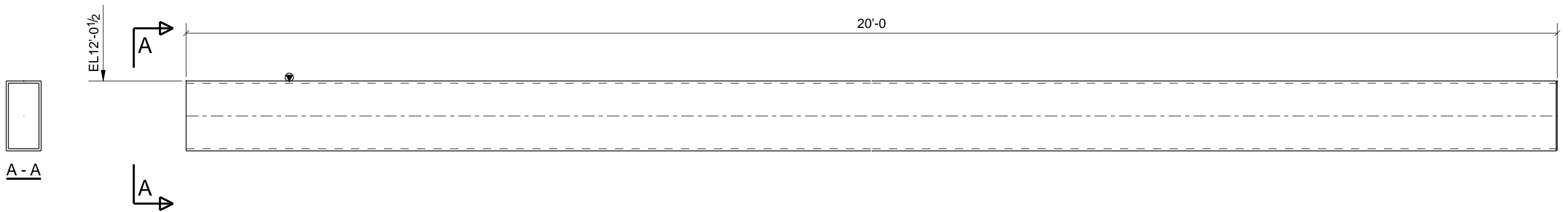


4 - BEAMS - B11

BILL OF MATERIAL

MARK	QTY	DESCRIPTION	LENGTH	WEIGHT	REMARKS
B11	4	BEAMS			SQ-2
B11	4	W12X14	21'-6 1/2"	1220	SHOP PRIMER A992
TOTAL WEIGHT THIS DRAWING				1220	

2	RESUBMIT FOR APPROVAL	12/01/2023
REV	DESCRIPTION	DATE
BUCHANAN GROUP, LLC		
13617 LYTLE LANE HELOTES, TEXAS 78023		
DESCRIPTION	ASSEMBLY 2	
PROJECT NAME	COMMUNICARE HEADQUARTERS	
DRAWN BY	JOB No.	DRG No.
DATE DRAWN	11/19/2023	103
		B11

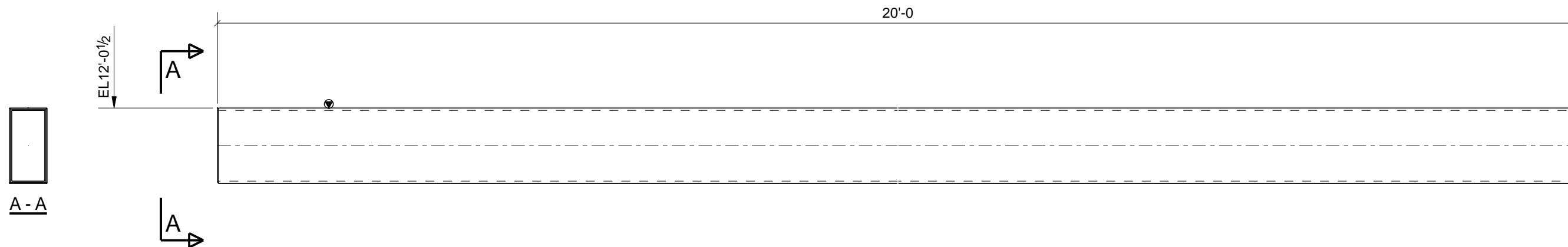


ONE - BEAM - B12

BILL OF MATERIAL

MARK	QTY	DESCRIPTION	LENGTH	WEIGHT	REMARKS
B12	1	BEAM			SQ-2
B12	1	HSS8X4X1/4	20'-0"	357	SHOP PRIMER A500-GR.B
TOTAL WEIGHT THIS DRAWING				357	

2	RESUBMIT FOR APPROVAL	12/01/2023
REV	DESCRIPTION	DATE
BUCHANAN GROUP, LLC		
13617 LYTTLE LANE HELOTES, TEXAS 78023		
DESCRIPTION	ASSEMBLY 2	
PROJECT NAME	COMMUNICARE HEADQUARTERS	
DRAWN BY		JOB No.
DATE DRAWN	11/21/2023	103
		DRG No.
		B12



2 - BEAMS - B13

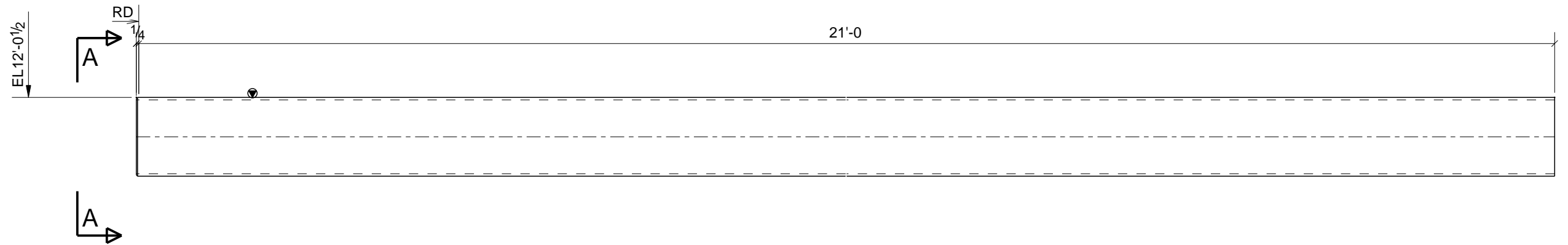
BILL OF MATERIAL

MARK	QTY	DESCRIPTION	LENGTH	WEIGHT	REMARKS
B13	2	BEAMS			SQ-2
B13	2	HSS8X4X1/4	20'-0"	713	SHOP PRIMER A500-GR.B
TOTAL WEIGHT THIS DRAWING				713	

2	RESUBMIT FOR APPROVAL	12/01/2023
REV	DESCRIPTION	DATE
BUCHANAN GROUP, LLC		
13617 LYTLE LANE HELOTES, TEXAS 78023		
DESCRIPTION	ASSEMBLY 2	
PROJECT NAME	COMMUNICARE HEADQUARTERS	
DRAWN BY		JOB No.
DATE DRAWN	11/19/2023	103
		DRG No.
		B13



A-A

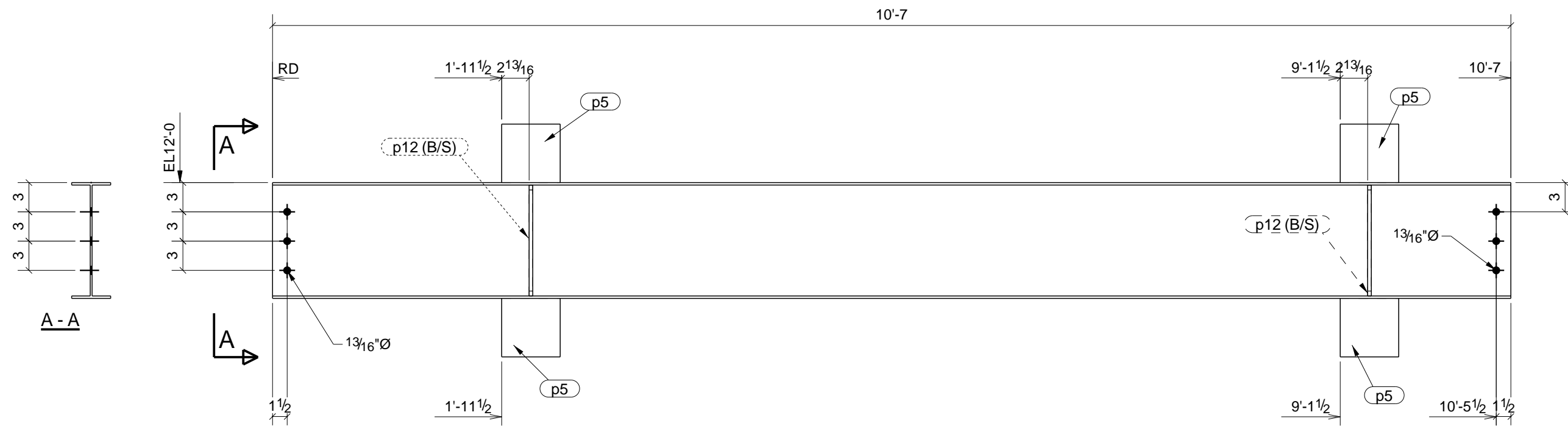


ONE - BEAM - B15

BILL OF MATERIAL

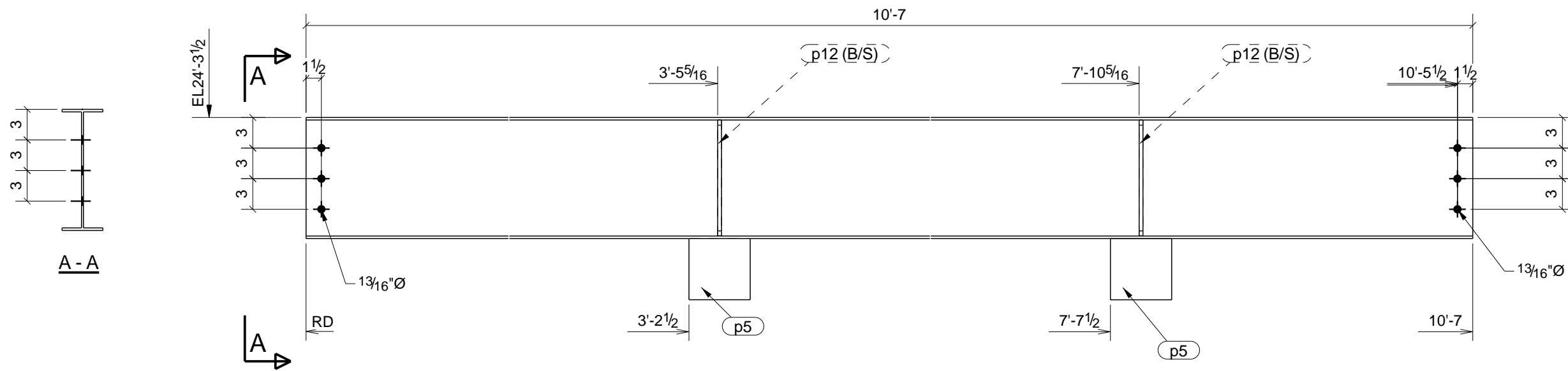
MARK	QTY	DESCRIPTION	LENGTH	WEIGHT	REMARKS
B15	1	BEAM			SQ-2
B15	1	HSS8X4X1/4	21'-0"	374	SHOP PRIMER A500-GR.B
TOTAL WEIGHT THIS DRAWING				374	

2	RESUBMIT FOR APPROVAL	12/01/2023
REV	DESCRIPTION	DATE
BUCHANAN GROUP, LLC		
13617 LYTLE LANE HELOTES, TEXAS 78023		
DESCRIPTION	ASSEMBLY 2	
PROJECT NAME	COMMUNICARE HEADQUARTERS	
DRAWN BY		JOB No.
DATE DRAWN	11/19/2023	103
		DRG No.
		B15



ONE - BEAM - B16

BILL OF MATERIAL					2 RESUBMIT FOR APPROVAL		12/01/2023	
					REV DESCRIPTION		DATE	
MARK	QTY	DESCRIPTION	LENGTH	WEIGHT	REMARKS	BUCHANAN GROUP, LLC 13617 LYTLE LANE HELOTES, TEXAS 78023 DESCRIPTION ASSEMBLY 2 PROJECT NAME COMMUNICARE HEADQUARTERS DRAWN BY DATE DRAWN 11/22/2023 JOB No. 103 DRG No. B16		
B16	1	BEAM			SQ-2			
B16	1	W12X14	10'-7"	150	SHOP PRIMER A992			
p5	4	FB3/8"X6"	0'-6"	15	SHOP PRIMER A36			
p12	4	PL3/8"X1 7/8"	0'-11 3/8"	9	A36			
TOTAL WEIGHT THIS DRAWING				174				

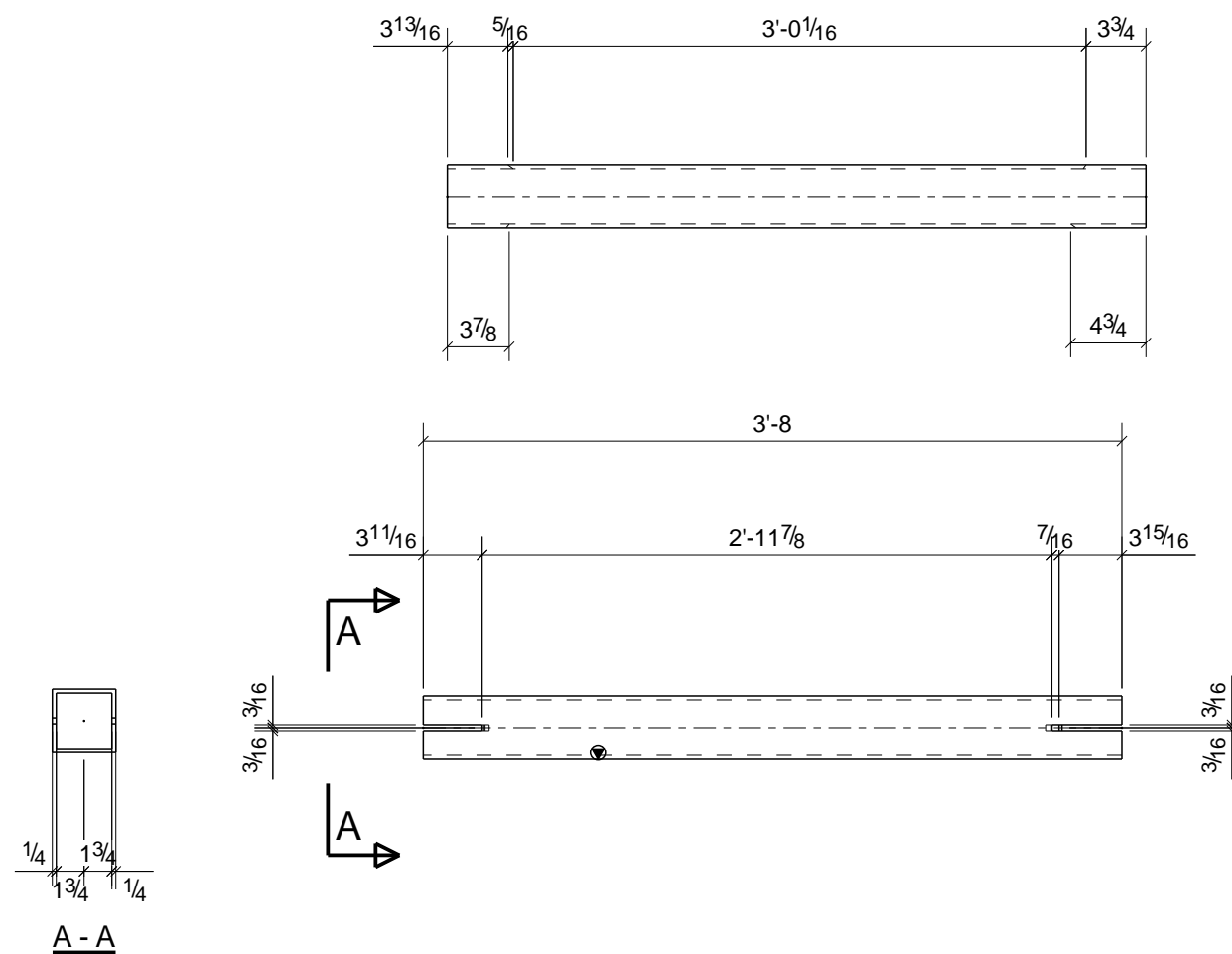


ONE - BEAM - B17

BILL OF MATERIAL						BUCHANAN GROUP, LLC	
MARK	QTY	DESCRIPTION	LENGTH	WEIGHT	REMARKS	DESCRIPTION	ASSEMBLY 2
B17	1	BEAM			SQ-2	13617 LYTLE LANE	
B17	1	W12X14	10'-7"	150	SHOP PRIMER A992	HELOTES, TEXAS 78023	
p5	2	FB3/8"X6"	0'-6"	8	SHOP PRIMER A36	PROJECT NAME	COMMUNICARE HEADQUARTERS
p12	4	PL3/8"X1 7/8"	0'-11 3/8"	9	A36	DRAWN BY	
TOTAL WEIGHT THIS DRAWING				167		DATE DRAWN	11/22/2023

REV	DESCRIPTION	DATE
2	RESUBMIT FOR APPROVAL	12/01/2023

JOB No.	103	DRG No.	B17
---------	-----	---------	-----

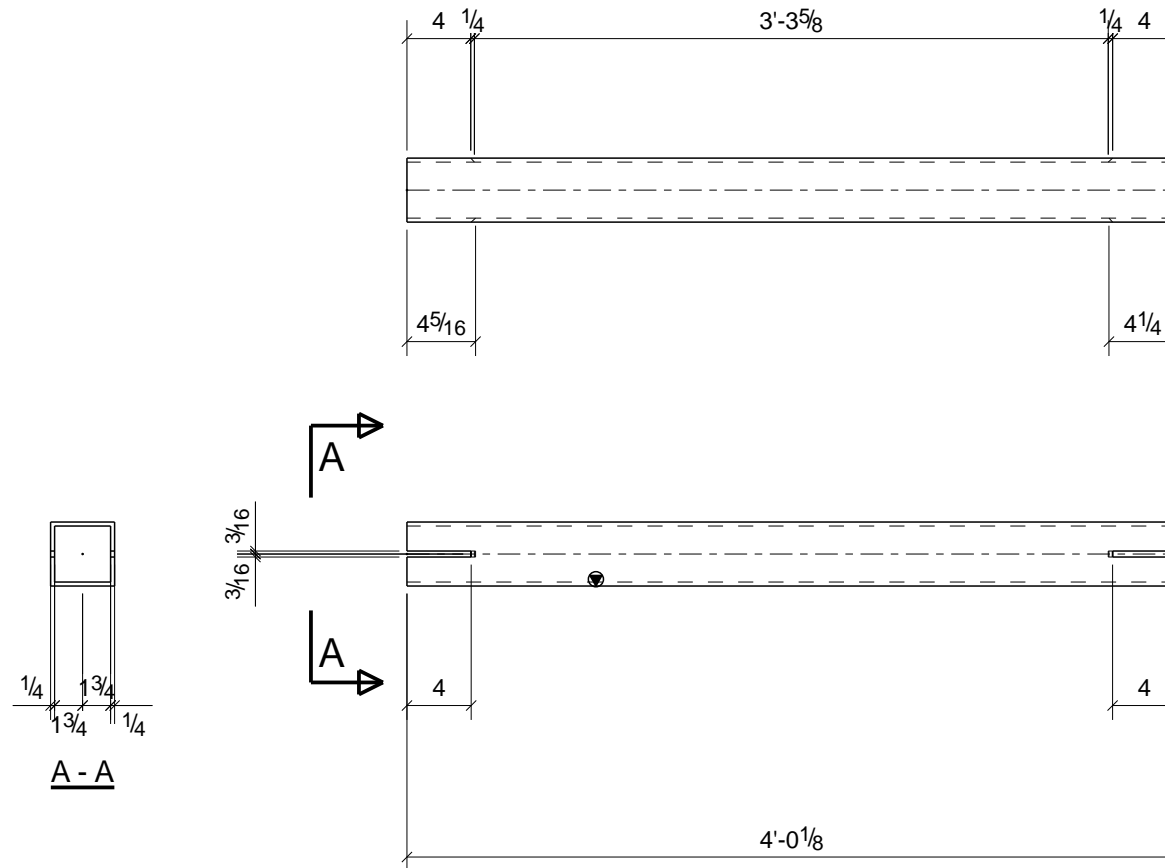


2 - BRACE ANGLES - BA1

BILL OF MATERIAL

MARK	QTY	DESCRIPTION	LENGTH	WEIGHT	REMARKS
BA1	2	BRACE ANGLES			SQ-2
BA1	2	HSS4X4X1/4	3'-8"	84	SHOP PRIMER A36
TOTAL WEIGHT THIS DRAWING				84	

2	RESUBMIT FOR APPROVAL	12/01/2023
REV	DESCRIPTION	DATE
BUCHANAN GROUP, LLC		
13617 LYTLE LANE HELOTES, TEXAS 78023		
DESCRIPTION	ASSEMBLY 2	
PROJECT NAME	COMMUNICARE HEADQUARTERS	
DRAWN BY		JOB No.
DATE DRAWN	11/19/2023	103
		DRG No. BA1



4 - BRACE ANGLES - BA2

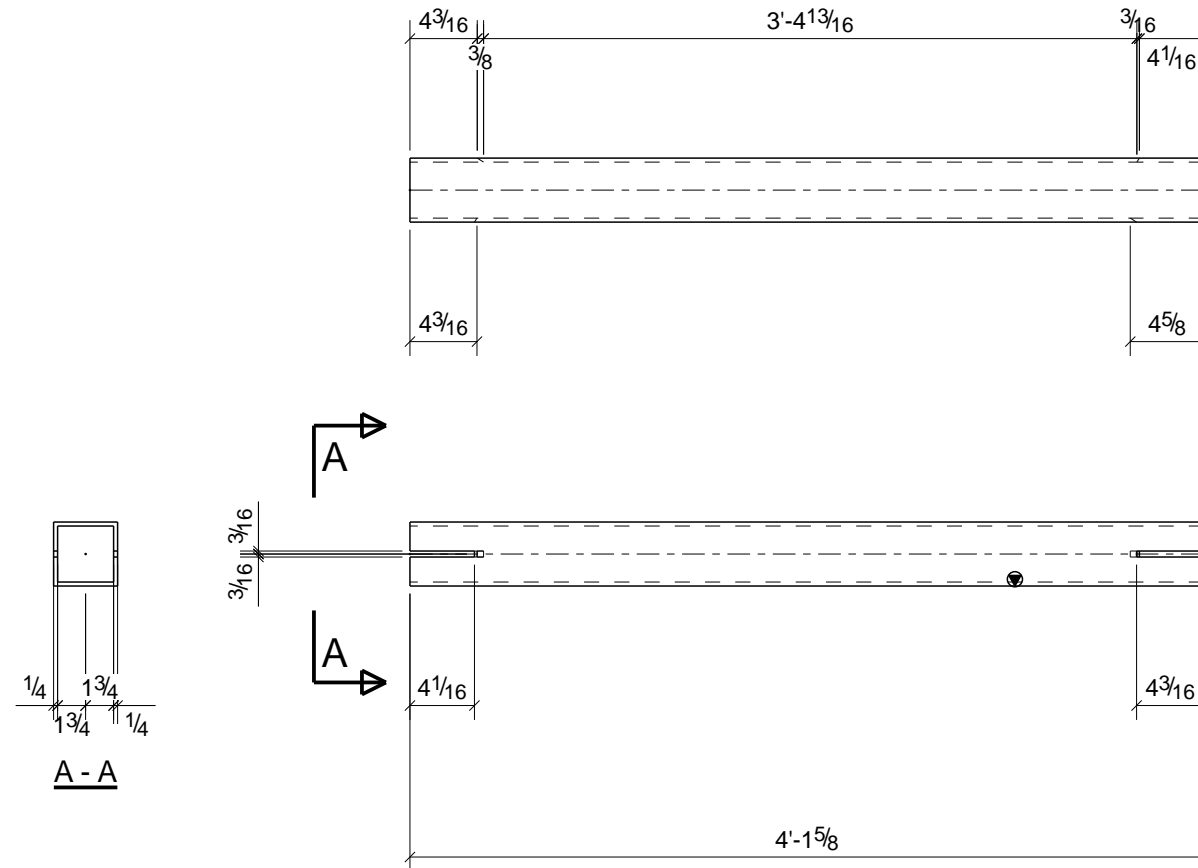
BILL OF MATERIAL

MARK	QTY	DESCRIPTION	LENGTH	WEIGHT	REMARKS	DESCRIPTION	ASSEMBLY 2	JOB No.	DRG No.
BA2	4	BRACE ANGLES			SQ-2	PROJECT NAME	COMMUNICARE HEADQUARTERS		
BA2	4	HSS4X4X1/4	4'-0 1/8"	184	SHOP PRIMER A36	DRAWN BY		103	BA2
TOTAL WEIGHT THIS DRAWING				184		DATE DRAWN	11/19/2023		

2	RESUBMIT FOR APPROVAL	12/01/2023
REV	DESCRIPTION	DATE

BUCHANAN GROUP, LLC

13617 LYTLE LANE
HELOTES, TEXAS 78023

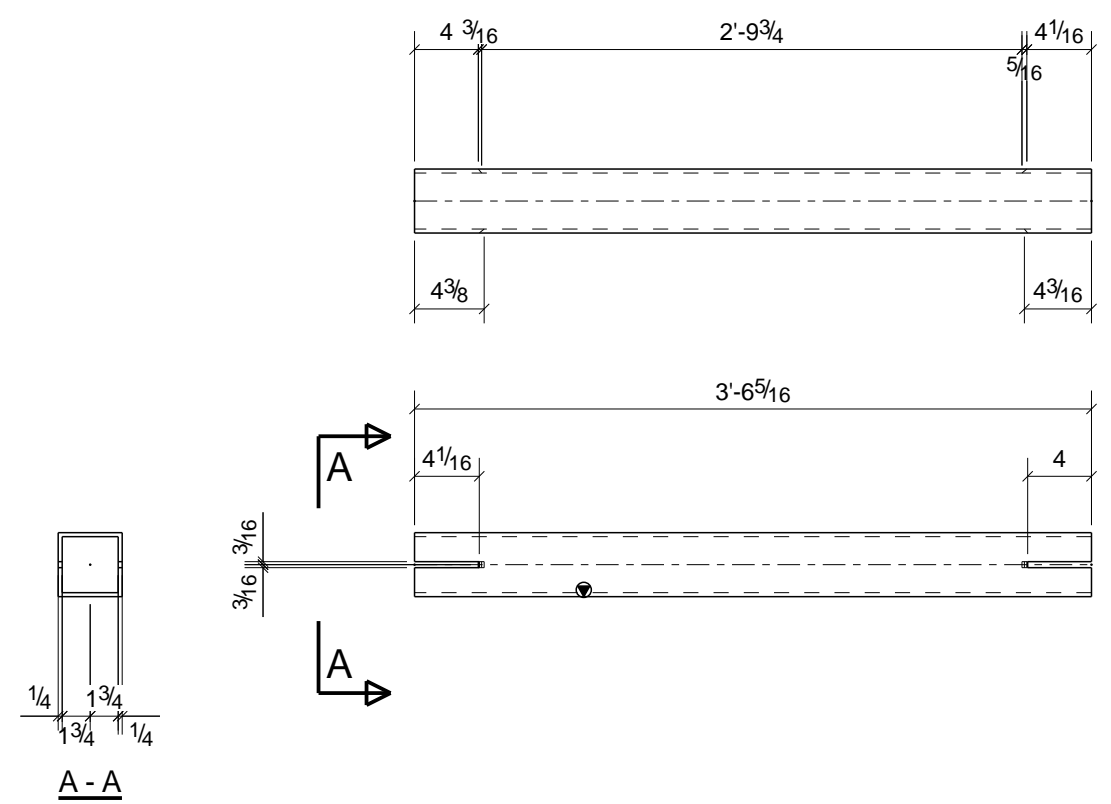


2 - BRACE ANGLES - BA3

BILL OF MATERIAL

MARK	QTY	DESCRIPTION	LENGTH	WEIGHT	REMARKS
BA3	2	BRACE ANGLES			SQ-2
BA3	2	HSS4X4X1/4	4'-1 5/8"	95	SHOP PRIMER A36
TOTAL WEIGHT THIS DRAWING				95	

2	RESUBMIT FOR APPROVAL	12/01/2023
REV	DESCRIPTION	DATE
BUCHANAN GROUP, LLC		
13617 LYTTLE LANE HELOTES, TEXAS 78023		
DESCRIPTION	ASSEMBLY 2	
PROJECT NAME	COMMUNICARE HEADQUARTERS	
DRAWN BY		JOB No.
DATE DRAWN	11/19/2023	103
		DRG No. BA3



2 - BRACE ANGLES - BA4

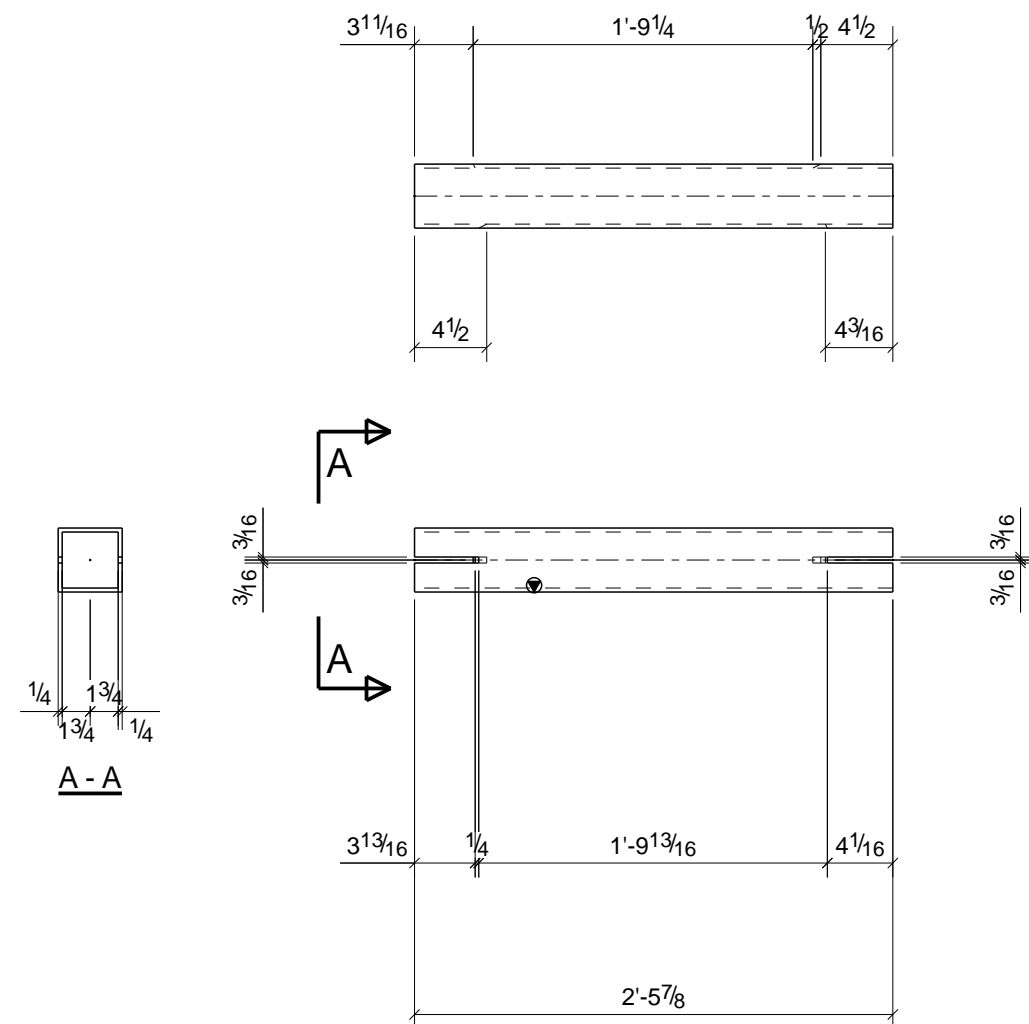
BILL OF MATERIAL

MARK	QTY	DESCRIPTION	LENGTH	WEIGHT	REMARKS	DESCRIPTION	ASSEMBLY 2
BA4	2	BRACE ANGLES			SQ-2	PROJECT NAME	COMMUNICARE HEADQUARTERS
BA4	2	HSS4X4X1/4	3'-6 5/16"	81	SHOP PRIMER A36	DRAWN BY	JOB No. 103
TOTAL WEIGHT THIS DRAWING				81		DATE DRAWN	11/19/2023
							DRG No. BA4

2	RESUBMIT FOR APPROVAL	12/01/2023
REV	DESCRIPTION	DATE

BUCHANAN GROUP, LLC

13617 LYTLE LANE
HELOTES, TEXAS 78023

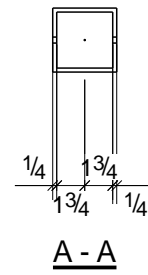
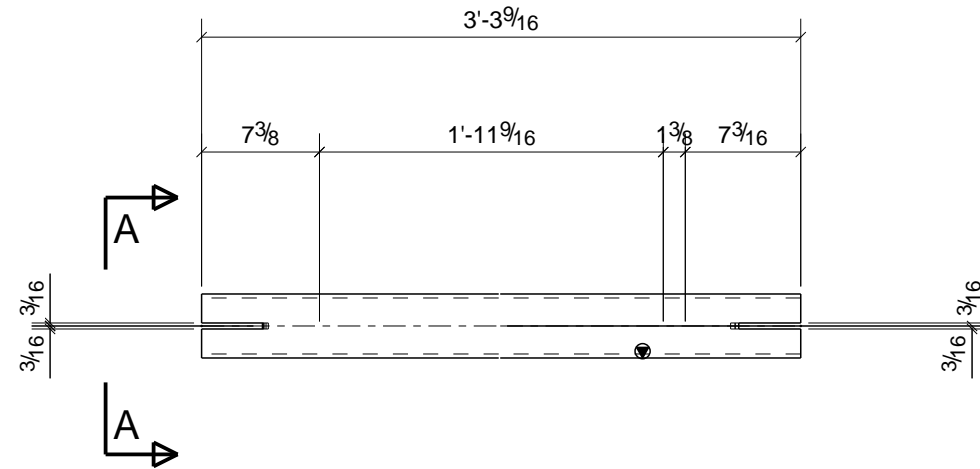
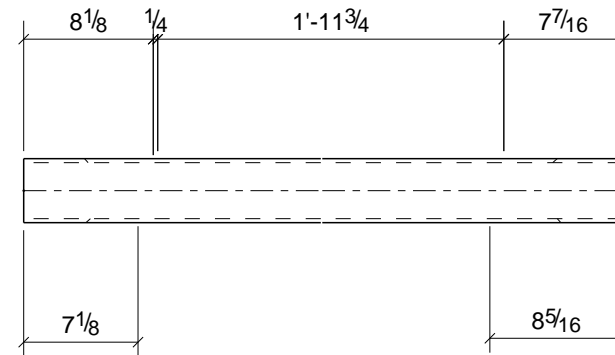


2 - BRACE ANGLES - BA5

BILL OF MATERIAL

MARK	QTY	DESCRIPTION	LENGTH	WEIGHT	REMARKS
BA5	2	BRACE ANGLES			SQ-2
BA5	2	HSS4X4X1/4	2'-5 7/8"	57	SHOP PRIMER A36
TOTAL WEIGHT THIS DRAWING				57	

2	RESUBMIT FOR APPROVAL	12/01/2023
REV	DESCRIPTION	DATE
BUCHANAN GROUP, LLC		
13617 LYTLE LANE HELOTES, TEXAS 78023		
DESCRIPTION	ASSEMBLY 2	
PROJECT NAME	COMMUNICARE HEADQUARTERS	
DRAWN BY		JOB No.
DATE DRAWN	11/19/2023	103
		DRG No. BA5

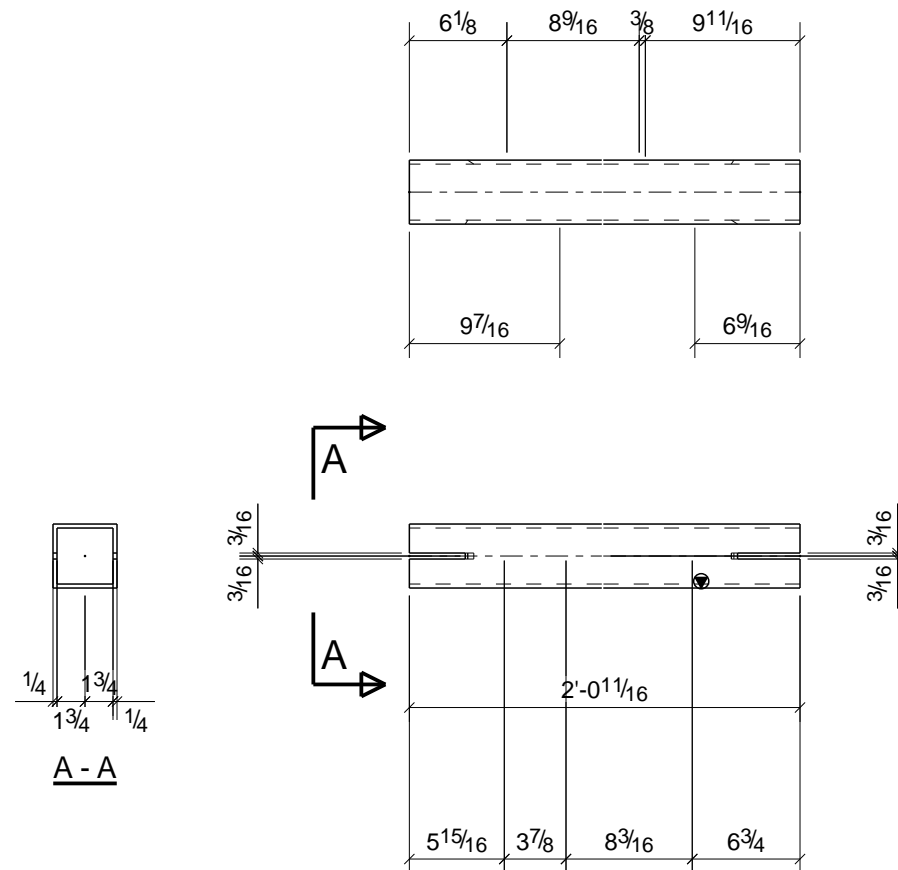


2 - BRACE ANGLES - BA6

BILL OF MATERIAL

MARK	QTY	DESCRIPTION	LENGTH	WEIGHT	REMARKS
BA6	2	BRACE ANGLES			SQ-2
BA6	2	HSS4X4X1/4	3'-3 9/16"	76	SHOP PRIMER A36
TOTAL WEIGHT THIS DRAWING				76	

2	RESUBMIT FOR APPROVAL	12/01/2023
REV	DESCRIPTION	DATE
BUCHANAN GROUP, LLC		
13617 LYTLE LANE HELOTES, TEXAS 78023		
DESCRIPTION	ASSEMBLY 2	
PROJECT NAME	COMMUNICARE HEADQUARTERS	
DRAWN BY		JOB No.
DATE DRAWN	11/22/2023	103
		DRG No. BA6

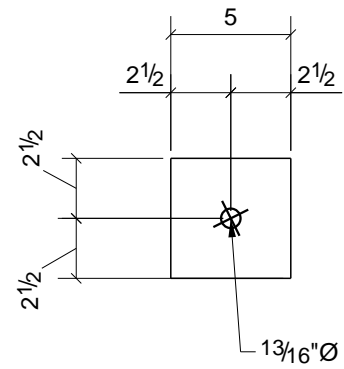


2 - BRACE ANGLES - BA7

BILL OF MATERIAL

MARK	QTY	DESCRIPTION	LENGTH	WEIGHT	REMARKS
BA7	2	BRACE ANGLES			SQ-2
BA7	2	HSS4X4X1/4	2'-0 11/16"	47	SHOP PRIMER A36
TOTAL WEIGHT THIS DRAWING				47	

2	RESUBMIT FOR APPROVAL	12/01/2023
REV	DESCRIPTION	DATE
BUCHANAN GROUP, LLC		
13617 LYTLE LANE HELOTES, TEXAS 78023		
DESCRIPTION	ASSEMBLY 2	
PROJECT NAME	COMMUNICARE HEADQUARTERS	
DRAWN BY		JOB No.
DATE DRAWN	11/22/2023	103
		DRG No. BA7

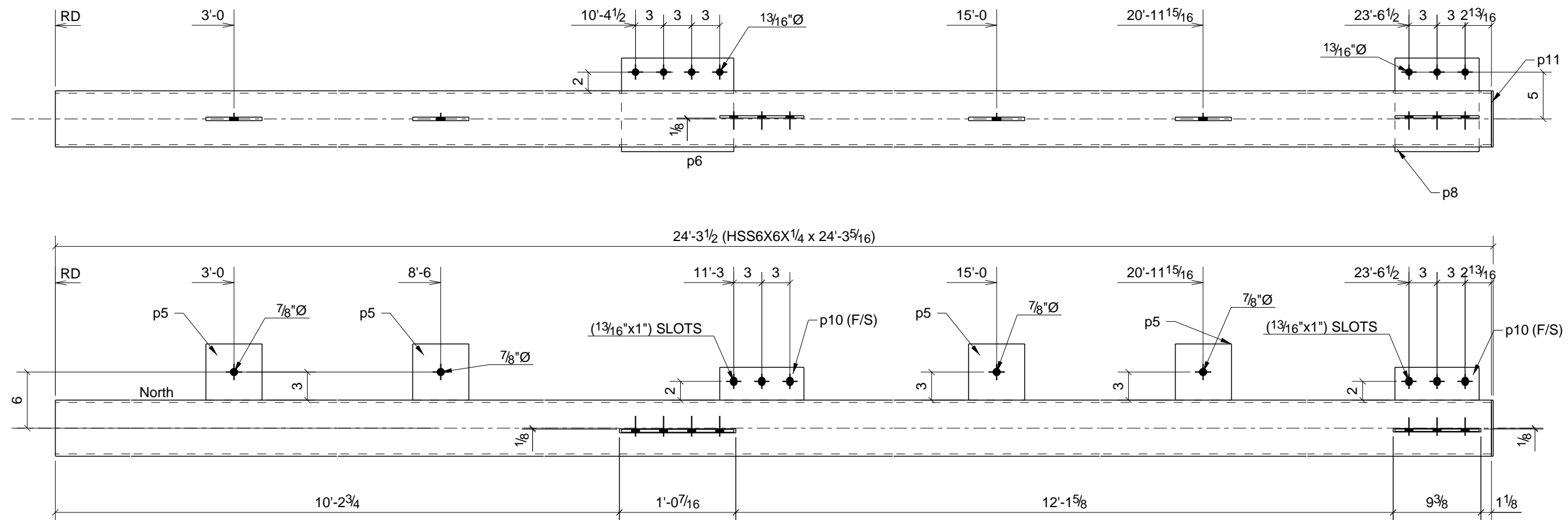


8 - BASE PLATES - BP1

BILL OF MATERIAL					
MARK	QTY	DESCRIPTION	LENGTH	WEIGHT	REMARKS
BP1	8	BASE PLATES			SQ-2
BP1	8	FB3/8"X5"	0'-5"	21	SHOP PRIMER A36
	8	3/4"Ø EPOXY_ANC BOLT	0'-5"	0	Workshop
TOTAL WEIGHT THIS DRAWING				21	

1	RELEASED FOR FABRICATION	11/16/2023
REV	DESCRIPTION	DATE
BUCHANAN GROUP, LLC 13617 LYTLE LANE HELOTES, TEXAS 78023		
DESCRIPTION	ASSEMBLY	
PROJECT NAME	COMMUNICARE HEADQUARTERS	
DRAWN BY	DW	JOB No.
DATE DRAWN	11/12/2023	103
		DRG No. BP1

GRID LOCATION	BOTTOM ELEVATION
A/2	0"



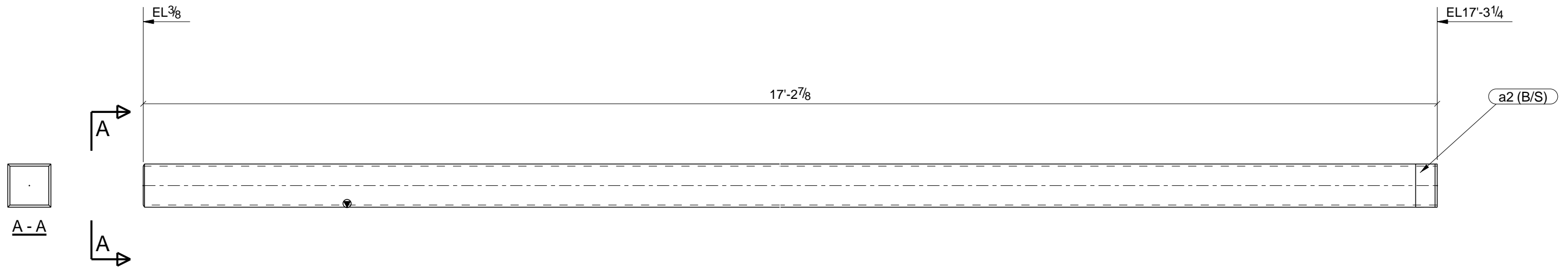
ONE - COLUMN - C1

BILL OF MATERIAL

MARK	QTY	DESCRIPTION	LENGTH	WEIGHT	REMARKS
C1	1	COLUMN			SQ-2
C1	1	HSS6X6X1/4	24'-3 5/16"	433	SHOP PRIMER A500-GR.B
p5	4	FB3/8"X6"	0'-6"	15	SHOP PRIMER A36
p6	1	FB5/16"X10"	1'-0"	11	A36
p8	1	FB1/4"X9"	0'-10"	6	A36
p10	2	FB1/4"X3 1/2"	0'-9"	4	A36
p11	1	FB3/16"X6"	0'-6"	2	A36
TOTAL WEIGHT THIS DRAWING				472	

2	RESUBMIT FOR APPROVAL	12/01/2023
REV	DESCRIPTION	DATE
BUCHANAN GROUP, LLC		
13617 LYTLE LANE HELOTES, TEXAS 78023		
DESCRIPTION	ASSEMBLY 2	
PROJECT NAME	COMMUNICARE HEADQUARTERS	
DRAWN BY		JOB No.
DATE DRAWN	11/19/2023	103
		DRG No.
		C1

GRID LOCATION	BOTTOM ELEVATION
G/4	3/8
F-G/3	3/8
G/3	3/8
F-G/4	3/8

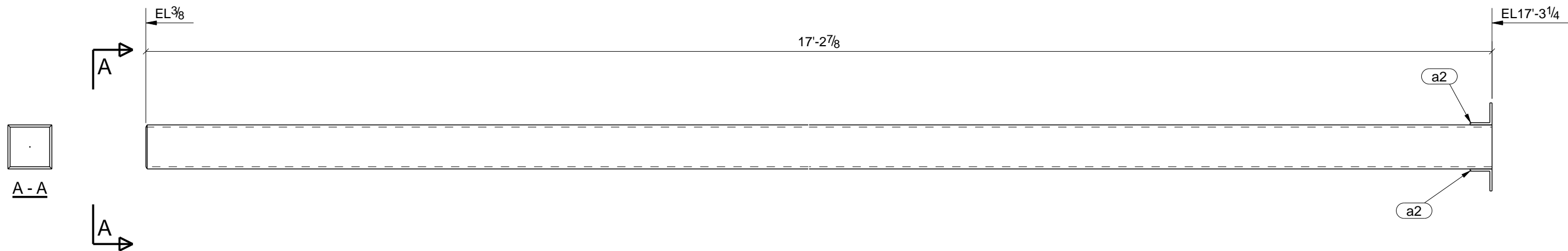


4 - COLUMNS - C2

BILL OF MATERIAL					
MARK	QTY	DESCRIPTION	LENGTH	WEIGHT	REMARKS
C2	4	COLUMNS			SQ-2
C2	4	HSS5X5X1/4	17'-2 7/8"	1009	SHOP PRIMER A500-GR.B
a2	8	L2-1/2X2-1/2X1/4	0'-5"	13	SHOP PRIMER A36
TOTAL WEIGHT THIS DRAWING				1023	

1	RELEASED FOR FABRICATION	11/16/2023
REV	DESCRIPTION	DATE
BUCHANAN GROUP, LLC		
13617 LYTLE LANE HELOTES, TEXAS 78023		
DESCRIPTION	ASSEMBLY	
PROJECT NAME	COMMUNICARE HEADQUARTERS	
DRAWN BY	DW	JOB No.
DATE DRAWN	11/12/2023	103
		DRG No. C2

GRID LOCATION	BOTTOM ELEVATION
G/4	3/8
G/3.1	3/8
G/3	3/8
G/3.2	3/8

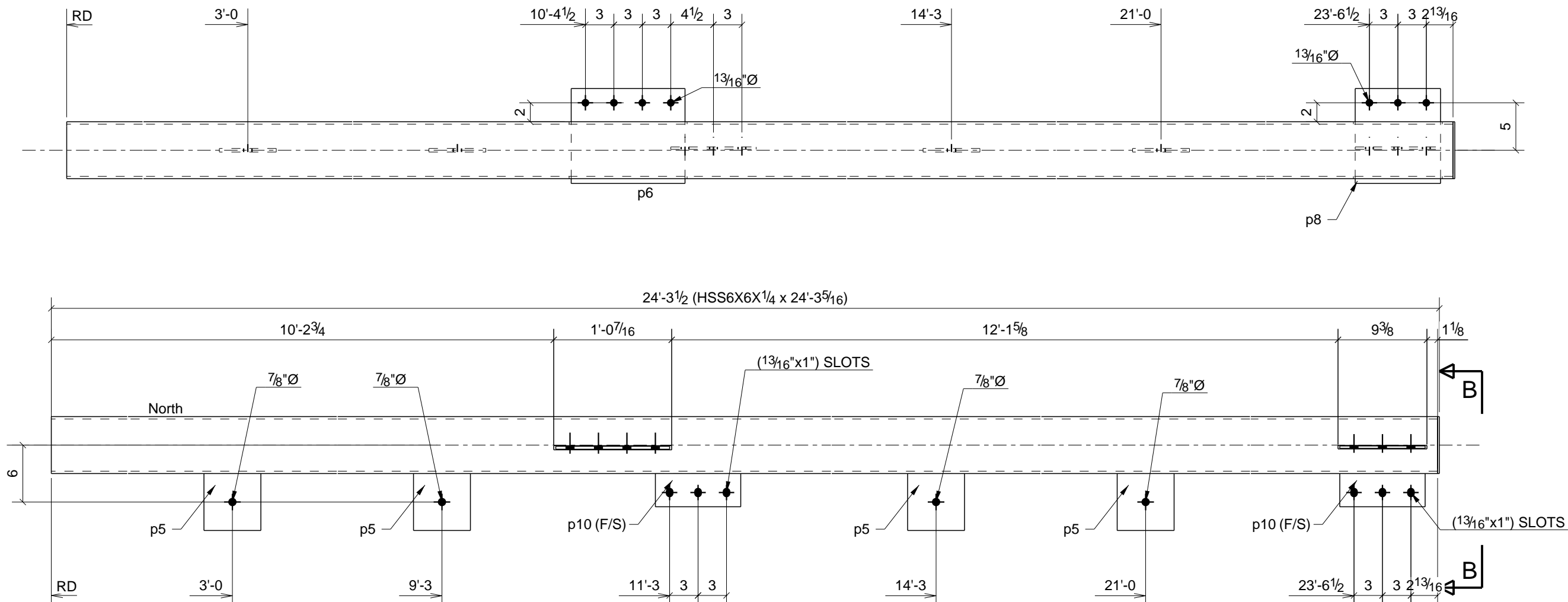


4 - COLUMNS - C3

BILL OF MATERIAL					
MARK	QTY	DESCRIPTION	LENGTH	WEIGHT	REMARKS
C3	4	COLUMNS			SQ-2
C3	4	HSS5X5X1/4	17'-2 7/8"	1009	SHOP PRIMER A500-GR.B
a2	8	L2-1/2X2-1/2X1/4	0'-5"	13	SHOP PRIMER A36
TOTAL WEIGHT THIS DRAWING				1023	

1	RELEASED FOR FABRICATION	11/16/2023
REV	DESCRIPTION	DATE
BUCHANAN GROUP, LLC		
13617 LYTLE LANE HELOTES, TEXAS 78023		
DESCRIPTION	ASSEMBLY	
PROJECT NAME	COMMUNICARE HEADQUARTERS	
DRAWN BY	DW	JOB No.
DATE DRAWN	11/12/2023	103
		DRG No. C3

GRID LOCATION	BOTTOM ELEVATION
A/1	0"



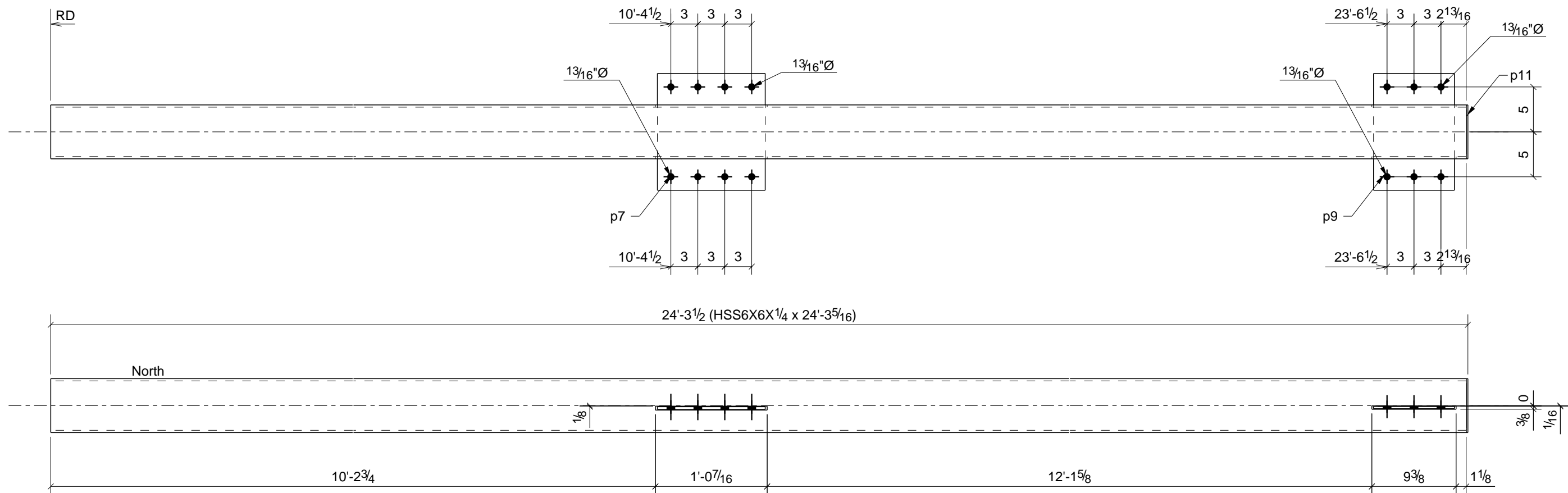
ONE - COLUMN - C4

BILL OF MATERIAL

MARK	QTY	DESCRIPTION	LENGTH	WEIGHT	REMARKS
C4	1	COLUMN			SQ-2
C4	1	HSS6X6X1/4	24'-3 5/16"	433	SHOP PRIMER A500-GR.B
p5	4	FB3/8"X6"	0'-6"	15	SHOP PRIMER A36
p6	1	FB5/16"X10"	1'-0"	11	A36
p8	1	FB1/4"X9"	0'-10"	6	A36
p10	2	FB1/4"X3 1/2"	0'-9"	4	A36
p11	1	FB3/16"X6"	0'-6"	2	A36
TOTAL WEIGHT THIS DRAWING				472	

2	RESUBMIT FOR APPROVAL	12/01/2023
REV	DESCRIPTION	DATE
BUCHANAN GROUP, LLC		
13617 LYTLE LANE HELOTES, TEXAS 78023		
DESCRIPTION	ASSEMBLY 2	
PROJECT NAME	COMMUNICARE HEADQUARTERS	
DRAWN BY		JOB No.
DATE DRAWN	11/19/2023	103
		DRG No. C4

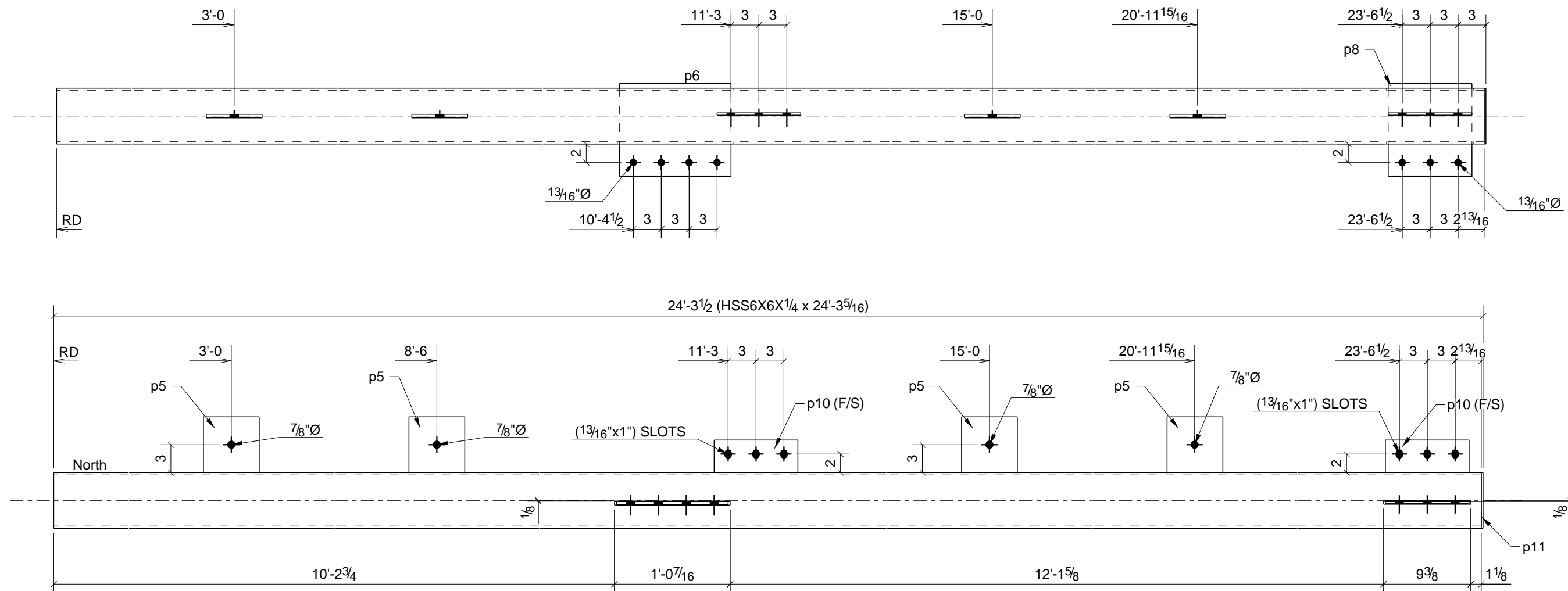
GRID LOCATION	BOTTOM ELEVATION
D/2	0"
C/1	0"
D/1	0"
B/1	0"
B/2	0"
C/2	0"



6 - COLUMNS - C5

BILL OF MATERIAL						2	RESUBMIT FOR APPROVAL	12/01/2023
						REV	DESCRIPTION	DATE
MARK	QTY	DESCRIPTION	LENGTH	WEIGHT	REMARKS	BUCHANAN GROUP, LLC 13617 LYTLE LANE HELOTES, TEXAS 78023 DESCRIPTION ASSEMBLY 2 PROJECT NAME COMMUNICARE HEADQUARTERS DRAWN BY DATE DRAWN 11/19/2023 JOB No. 103 DRG No. C5		
C5	6	COLUMNS			SQ-2			
C5	6	HSS6X6X1/4	24'-3 5/16"	2597	SHOP PRIMER A500-GR.B			
p7	6	FB5/16"X12"	1'-1"	83	A36			
p9	6	FB1/4"X9"	1'-1"	50	A36			
p11	6	FB3/16"X6"	0'-6"	11	A36			
TOTAL WEIGHT THIS DRAWING				2742				

GRID LOCATION	BOTTOM ELEVATION
E/2	0"



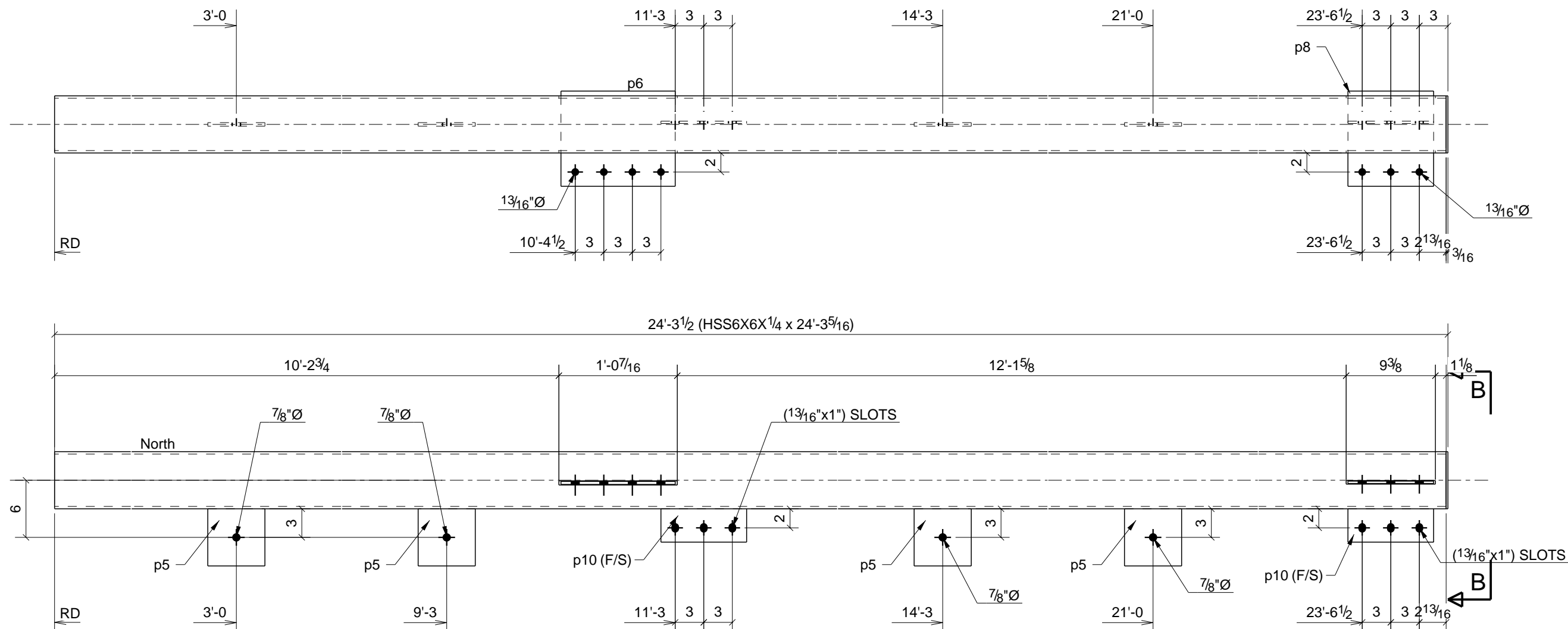
ONE - COLUMN - C6

BILL OF MATERIAL

MARK	QTY	DESCRIPTION	LENGTH	WEIGHT	REMARKS
C6	1	COLUMN			SQ-2
C6	1	HSS6X6X1/4	24'-3 5/16"	433	SHOP PRIMER A500-GR.B
p5	4	FB3/8"X6"	0'-6"	15	SHOP PRIMER A36
p6	1	FB5/16"X10"	1'-0"	11	A36
p8	1	FB1/4"X9"	0'-10"	6	A36
p10	2	FB1/4"X3 1/2"	0'-9"	4	A36
p11	1	FB3/16"X6"	0'-6"	2	A36
TOTAL WEIGHT THIS DRAWING				472	

2	RESUBMIT FOR APPROVAL	12/01/2023
REV	DESCRIPTION	DATE
BUCHANAN GROUP, LLC		
13617 LYTLE LANE HELOTES, TEXAS 78023		
DESCRIPTION	ASSEMBLY 2	
PROJECT NAME	COMMUNICARE HEADQUARTERS	
DRAWN BY		JOB No.
DATE DRAWN	11/19/2023	103
		DRG No.
		C6

GRID LOCATION	BOTTOM ELEVATION
E/1	0"

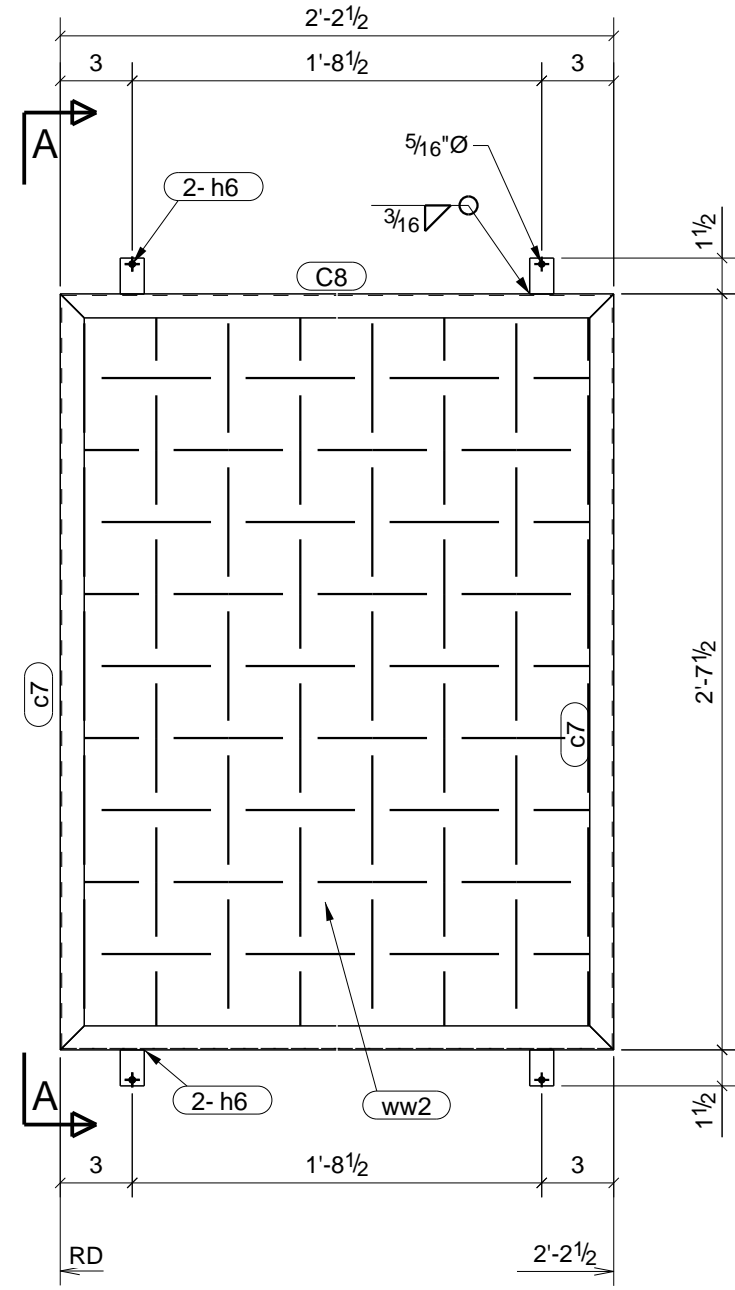
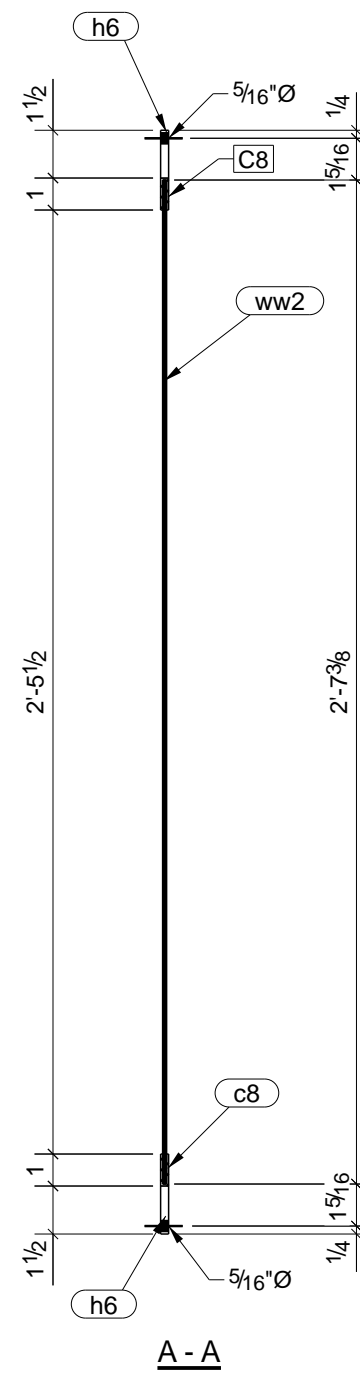


ONE - COLUMN - C7

BILL OF MATERIAL						2 RESUBMIT FOR APPROVAL		12/01/2023
MARK	QTY	DESCRIPTION	LENGTH	WEIGHT	REMARKS	REV	DESCRIPTION	DATE
C7	1	COLUMN			SQ-2			
C7	1	HSS6X6X1/4	24'-3 5/16"	433	SHOP PRIMER A500-GR.B			
p5	4	FB3/8"X6"	0'-6"	15	SHOP PRIMER A36			
p6	1	FB5/16"X10"	1'-0"	11	A36			
p8	1	FB1/4"X9"	0'-10"	6	A36			
p10	2	FB1/4"X3 1/2"	0'-9"	4	A36			
p11	1	FB3/16"X6"	0'-6"	2	A36			
TOTAL WEIGHT THIS DRAWING				472				

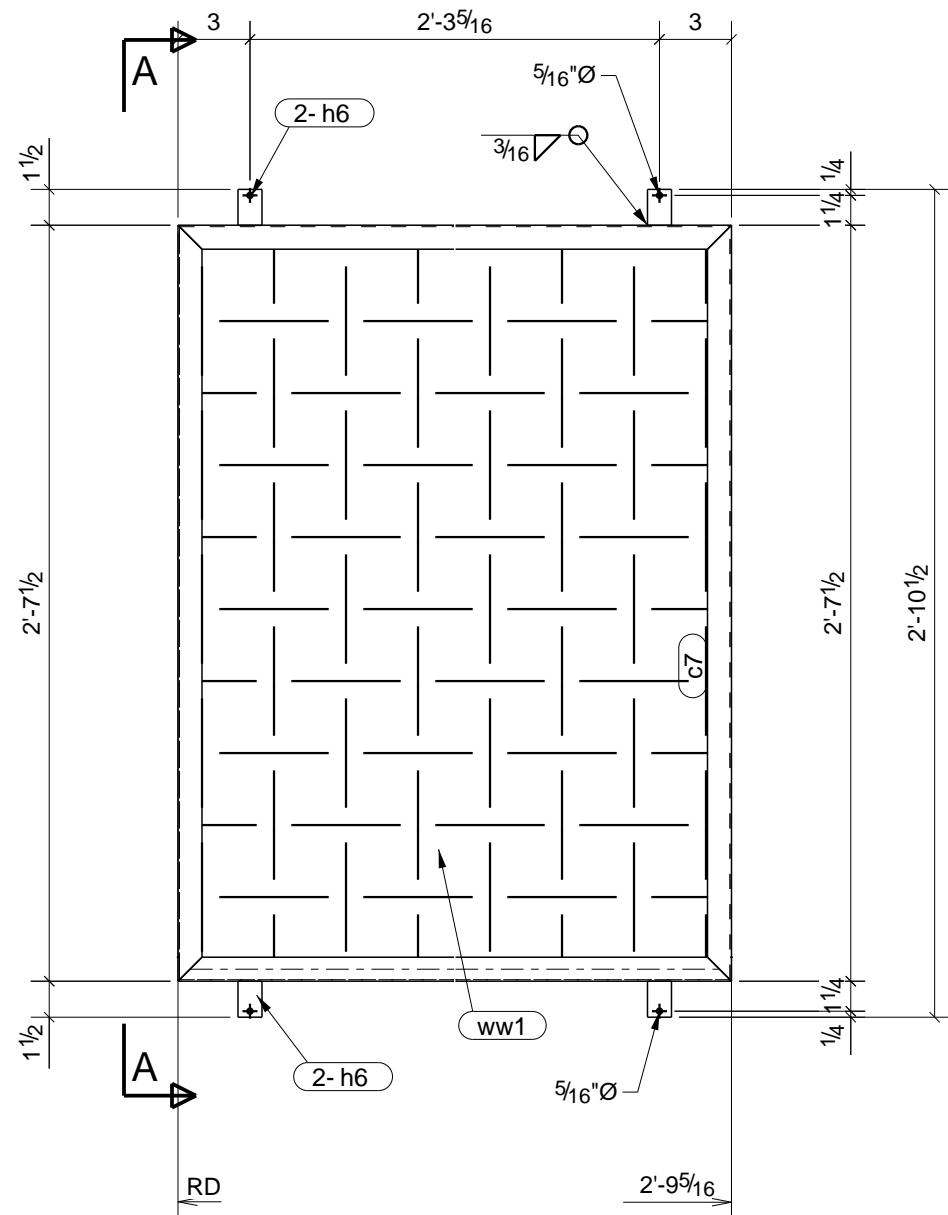
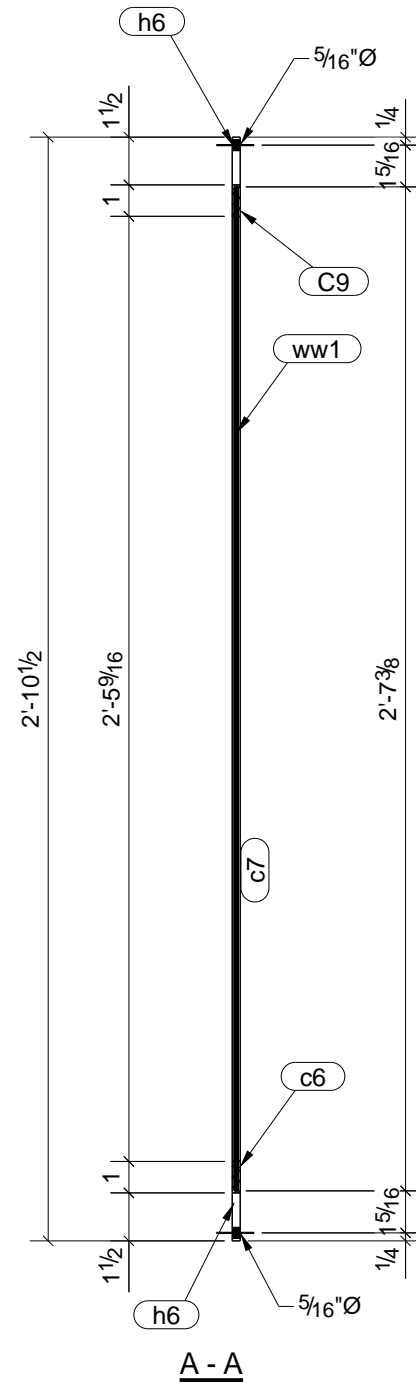
BUCHANAN GROUP, LLC
 13617 LYTLE LANE
 HELOTES, TEXAS 78023

DESCRIPTION	ASSEMBLY 2
PROJECT NAME	COMMUNICARE HEADQUARTERS
DRAWN BY	
DATE DRAWN	11/19/2023
JOB No.	103
DRG No.	C7



4 - CLIPS - C8

BILL OF MATERIAL						REV	DESCRIPTION	DATE
C8	4	CLIPS			BEV-2	BUCHANAN GROUP, LLC 13617 LYTLE LANE HELOTES, TEXAS 78023		
C8	4	C1/4"X1"X1/16"	2'-2 1/2"	4	POWER COATED A36			
c7	8	C1/4"X1"X1/16"	2'-7 1/2"	9	POWER COATED A36			
c8	4	C1/4"X1"X1/16"	2'-2 1/2"	4	POWER COATED A36			
h6	16	FB1/4"X1"	0'-1 1/2"	2	POWDER COATED A36	DESCRIPTION	STANDARD	
ww2	4	SHT6GAX26 3/8"	2'-7 3/8"	117	POWER COATED A36	PROJECT NAME	COMMUNICARE HEADQUARTERS	
TOTAL WEIGHT THIS DRAWING				136		DRAWN BY	JOB No.	DRG No.
						DATE DRAWN	103	C8
							02/07/2024	



24 - CLIPS - C9

BILL OF MATERIAL

MARK	QTY	DESCRIPTION	LENGTH	WEIGHT	REMARKS	REV	DESCRIPTION	DATE
C9	24	CLIPS			BEV-2		BUCHANAN GROUP, LLC 13617 LYTLE LANE HELOTES, TEXAS 78023	
C9	24	C1/4"X1"X1/16"	2'-9 5/16"	29	POWER COATED A36			
c6	24	C1/4"X1"X1/16"	2'-9 5/16"	29	POWER COATED A36			
c7	48	C1/4"X1"X1/16"	2'-7 1/2"	55	POWER COATED A36			
h6	96	FB1/4"X1"	0'-1 1/2"	10	POWDER COATED A36			
ww1	24	SHT6GAX31 3/8"	2'-9 3/16"	887	POWER COATED A36			
TOTAL WEIGHT THIS DRAWING				1011			DESCRIPTION STANDARD PROJECT NAME COMMUNICARE HEADQUARTERS DRAWN BY DATE DRAWN 02/07/2024	JOB No. 103 DRG No. C9

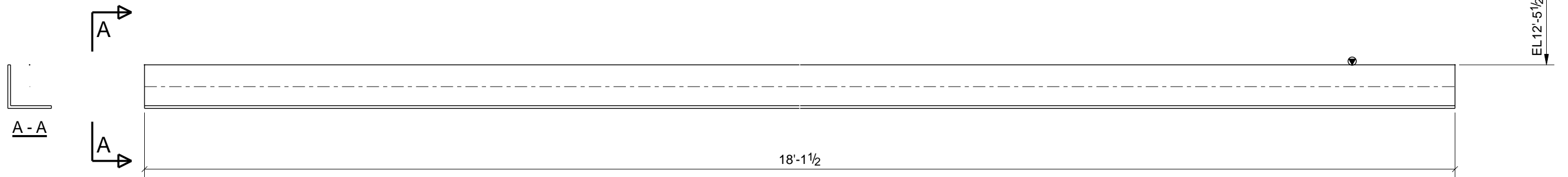


55 - CONNECTION PLATESES - CP1

BILL OF MATERIAL

MARK	QTY	DESCRIPTION	LENGTH	WEIGHT	REMARKS	DESCRIPTION	ASSEMBLY	JOB No.	DRG No.
CP1	55	CONNECTION PLATESES			SQ-2	PROJECT NAME	COMMUNICARE HEADQUARTERS		
CP1	55	FB3/8"X4"	0'-4"	94	SHOP PRIMER A36	DRAWN BY	DW	103	CP1
TOTAL WEIGHT THIS DRAWING				94		DATE DRAWN	11/12/2023		

1	RELEASED FOR FABRICATION	11/16/2023
REV	DESCRIPTION	DATE
BUCHANAN GROUP, LLC		
13617 LYTLE LANE HELOTES, TEXAS 78023		
DESCRIPTION ASSEMBLY		
PROJECT NAME COMMUNICARE HEADQUARTERS		
DRAWN BY DW		
DATE DRAWN 11/12/2023		
JOB No. 103		
DRG No. CP1		



2 - DECK ANGLES - DA1

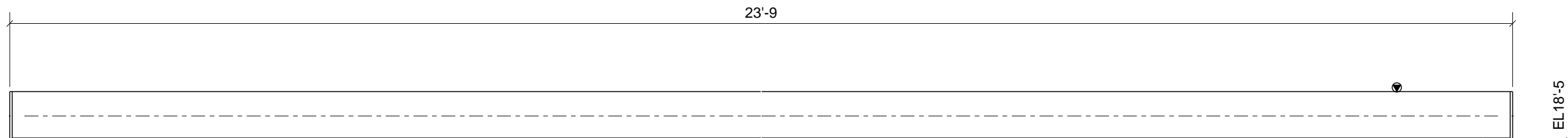
BILL OF MATERIAL

MARK	QTY	DESCRIPTION	LENGTH	WEIGHT	REMARKS	DESCRIPTION	ASSEMBLY 2	JOB No.	DRG No.
DA1	2	DECK ANGLES			SQ-2	PROJECT NAME	COMMUNICARE HEADQUARTERS		
DA1	2	L5X5X5/16	18'-1 1/2"	379	SHOP PRIMER A36	DRAWN BY		103	DA1
TOTAL WEIGHT THIS DRAWING				379		DATE DRAWN	11/19/2023		

2	RESUBMIT FOR APPROVAL	12/01/2023
REV	DESCRIPTION	DATE

BUCHANAN GROUP, LLC

13617 LYTTLE LANE
HELOTES, TEXAS 78023

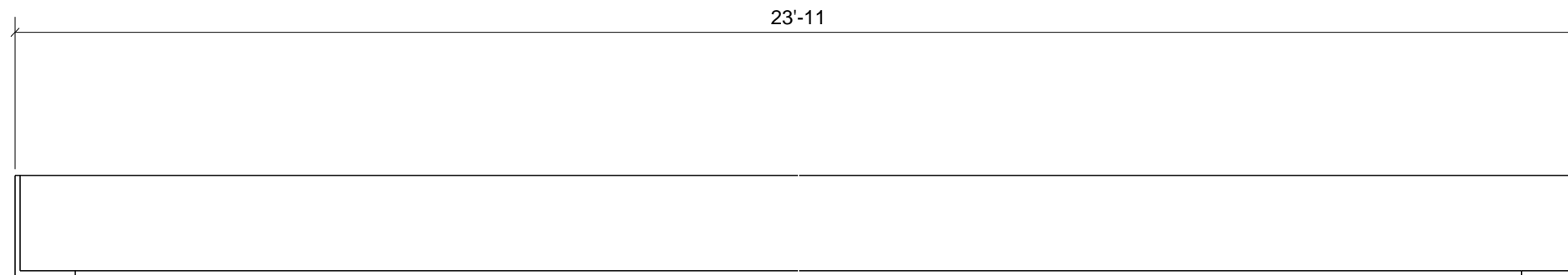


2 - DECK ANGLES - DA2

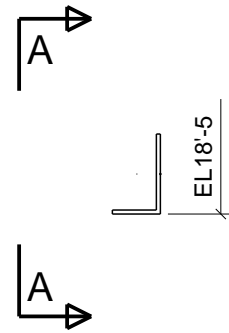
BILL OF MATERIAL

MARK	QTY	DESCRIPTION	LENGTH	WEIGHT	REMARKS
DA2	2	DECK ANGLES			BEV-2
DA2	2	L5X3X1/4	23'-9"	314	SHOP PRIMER A36
TOTAL WEIGHT THIS DRAWING				314	

1	RELEASED FOR FABRICATION	11/16/2023
REV	DESCRIPTION	DATE
BUCHANAN GROUP, LLC		
13617 LYTLE LANE HELOTES, TEXAS 78023		
DESCRIPTION	ASSEMBLY	
PROJECT NAME	COMMUNICARE HEADQUARTERS	
DRAWN BY	DW	JOB No. 103
DATE DRAWN	11/12/2023	DRG No. DA2



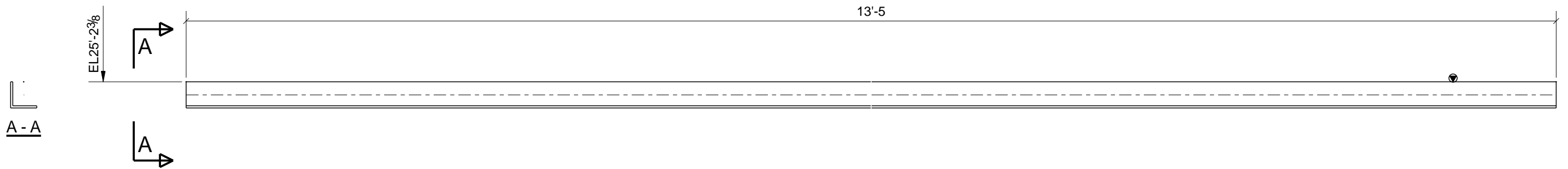
A - A



2 - DECK ANGLES - DA3

BILL OF MATERIAL					
MARK	QTY	DESCRIPTION	LENGTH	WEIGHT	REMARKS
DA3	2	DECK ANGLES			BEV-2
DA3	2	L5X3X1/4	23'-11"	316	SHOP PRIMER A36
TOTAL WEIGHT THIS DRAWING				316	

REV	DESCRIPTION	DATE
BUCHANAN GROUP, LLC 13617 LYTTLE LANE HELOTES, TEXAS 78023		
DESCRIPTION		ASSEMBLY
PROJECT NAME		COMMUNICARE HEADQUARTERS
DRAWN BY		
DATE DRAWN		11/17/2023
JOB No.		103
DRG No.		DA3



ONE - DECK ANGLE - DA5

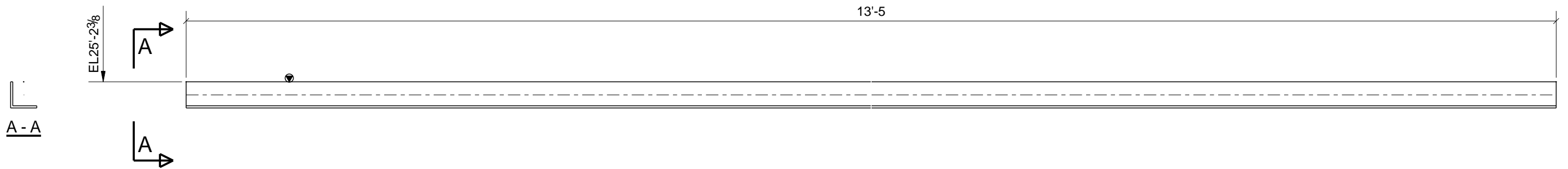
BILL OF MATERIAL

MARK	QTY	DESCRIPTION	LENGTH	WEIGHT	REMARKS	DESCRIPTION	ASSEMBLY 2	JOB No.	DRG No.
DA5	1	DECK ANGLE			SQ-2	PROJECT NAME	COMMUNICARE HEADQUARTERS		
DA5	1	L3X3X1/4	13'-5"	66	SHOP PRIMER A36	DRAWN BY		103	DA5
TOTAL WEIGHT THIS DRAWING				66		DATE DRAWN	11/21/2023		

2	RESUBMIT FOR APPROVAL	12/01/2023
REV	DESCRIPTION	DATE

BUCHANAN GROUP, LLC

13617 LYTLE LANE
HELOTES, TEXAS 78023



ONE - DECK ANGLE - DA6

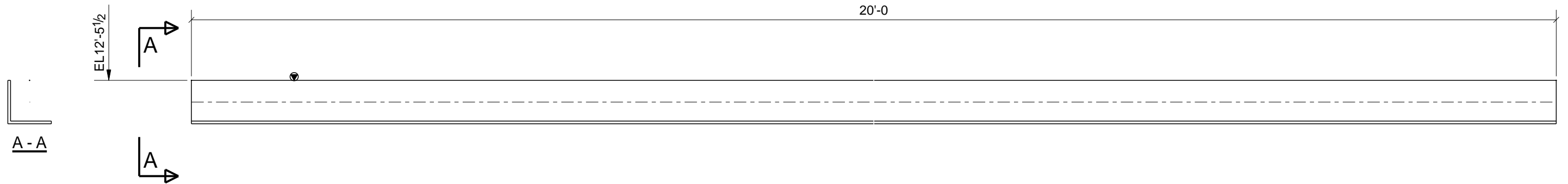
BILL OF MATERIAL

MARK	QTY	DESCRIPTION	LENGTH	WEIGHT	REMARKS	DESCRIPTION	ASSEMBLY 2	JOB No.	DRG No.
DA6	1	DECK ANGLE			SQ-2	PROJECT NAME	COMMUNICARE HEADQUARTERS		
DA6	1	L3X3X1/4	13'-5"	66	SHOP PRIMER A36	DRAWN BY		103	DA6
TOTAL WEIGHT THIS DRAWING				66		DATE DRAWN	11/19/2023		

2	RESUBMIT FOR APPROVAL	12/01/2023
REV	DESCRIPTION	DATE

BUCHANAN GROUP, LLC

13617 LYTTLE LANE
HELOTES, TEXAS 78023



6 - DECK ANGLES - DA7

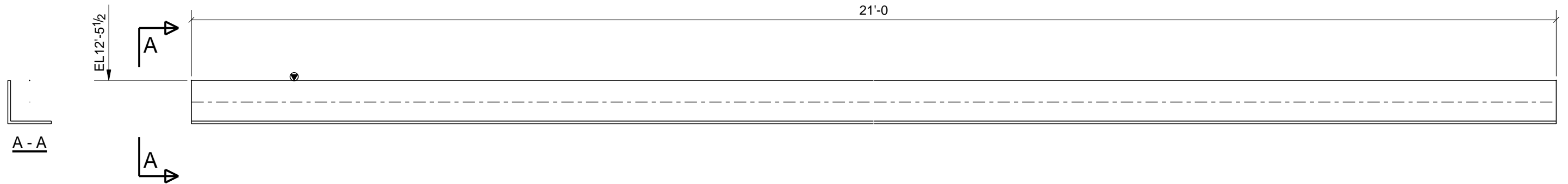
BILL OF MATERIAL

MARK	QTY	DESCRIPTION	LENGTH	WEIGHT	REMARKS	DESCRIPTION	ASSEMBLY 2	JOB No.	DRG No.
DA7	6	DECK ANGLES			SQ-2	PROJECT NAME	COMMUNICARE HEADQUARTERS		
DA7	6	L5X5X5/16	20'-0"	1254	SHOP PRIMER A36	DRAWN BY		103	DA7
TOTAL WEIGHT THIS DRAWING				1254		DATE DRAWN	11/21/2023		

2	RESUBMIT FOR APPROVAL	12/01/2023
REV	DESCRIPTION	DATE

BUCHANAN GROUP, LLC
 13617 LYTTLE LANE
 HELOTES, TEXAS 78023

DESCRIPTION	ASSEMBLY 2	JOB No.	103	DRG No.	DA7
PROJECT NAME	COMMUNICARE HEADQUARTERS	DRAWN BY		DATE DRAWN	11/21/2023



2 - DECK ANGLES - DA8

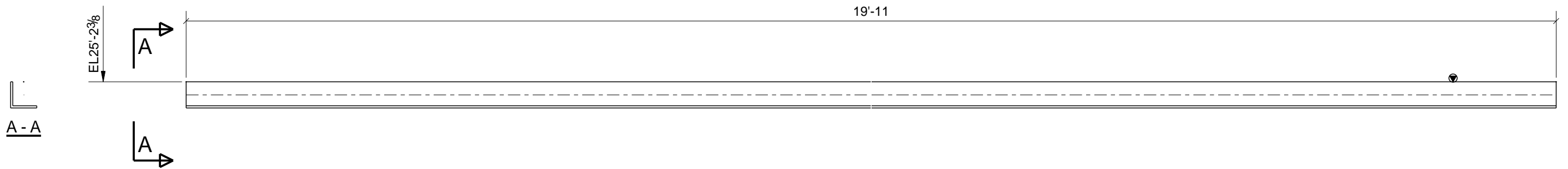
BILL OF MATERIAL

MARK	QTY	DESCRIPTION	LENGTH	WEIGHT	REMARKS	DESCRIPTION	ASSEMBLY 2	JOB No.	DRG No.
DA8	2	DECK ANGLES			SQ-2	PROJECT NAME	COMMUNICARE HEADQUARTERS		
DA8	2	L5X5X5/16	21'-0"	439	SHOP PRIMER A36	DRAWN BY		103	DA8
TOTAL WEIGHT THIS DRAWING				439		DATE DRAWN	11/21/2023		

2	RESUBMIT FOR APPROVAL	12/01/2023
REV	DESCRIPTION	DATE

BUCHANAN GROUP, LLC
 13617 LYTLE LANE
 HELOTES, TEXAS 78023

DESCRIPTION	ASSEMBLY 2	JOB No.	103	DRG No.	DA8
PROJECT NAME	COMMUNICARE HEADQUARTERS	DRAWN BY		DATE DRAWN	11/21/2023



ONE - DECK ANGLE - DA9

BILL OF MATERIAL

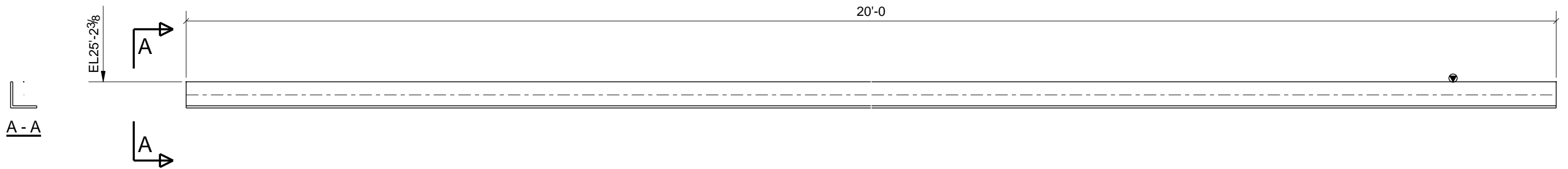
MARK	QTY	DESCRIPTION	LENGTH	WEIGHT	REMARKS	DESCRIPTION	ASSEMBLY 2	JOB No.	DRG No.
DA9	1	DECK ANGLE			SQ-2	PROJECT NAME	COMMUNICARE HEADQUARTERS		
DA9	1	L3X3X1/4	19'-11"	98	SHOP PRIMER A36	DRAWN BY		103	DA9
TOTAL WEIGHT THIS DRAWING				98		DATE DRAWN	11/30/2023		

2	RESUBMIT FOR APPROVAL	12/01/2023
REV	DESCRIPTION	DATE

BUCHANAN GROUP, LLC

13617 LYTLE LANE
HELOTES, TEXAS 78023

DESCRIPTION	ASSEMBLY 2	JOB No.	103	DRG No.	DA9
PROJECT NAME	COMMUNICARE HEADQUARTERS	DRAWN BY		DATE DRAWN	11/30/2023



2 - DECK ANGLES - DA10

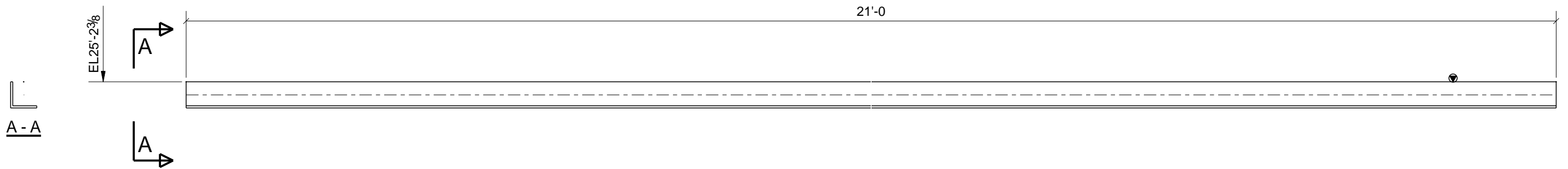
BILL OF MATERIAL

MARK	QTY	DESCRIPTION	LENGTH	WEIGHT	REMARKS	DESCRIPTION	ASSEMBLY 2
DA10	2	DECK ANGLES			SQ-2	PROJECT NAME	COMMUNICARE HEADQUARTERS
DA10	2	L3X3X1/4	20'-0"	196	SHOP PRIMER A36	DRAWN BY	JOB No. 103
TOTAL WEIGHT THIS DRAWING				196		DATE DRAWN	11/30/2023
							DRG No. DA10

2	RESUBMIT FOR APPROVAL	12/01/2023
REV	DESCRIPTION	DATE

BUCHANAN GROUP, LLC

13617 LYTTLE LANE
HELOTES, TEXAS 78023

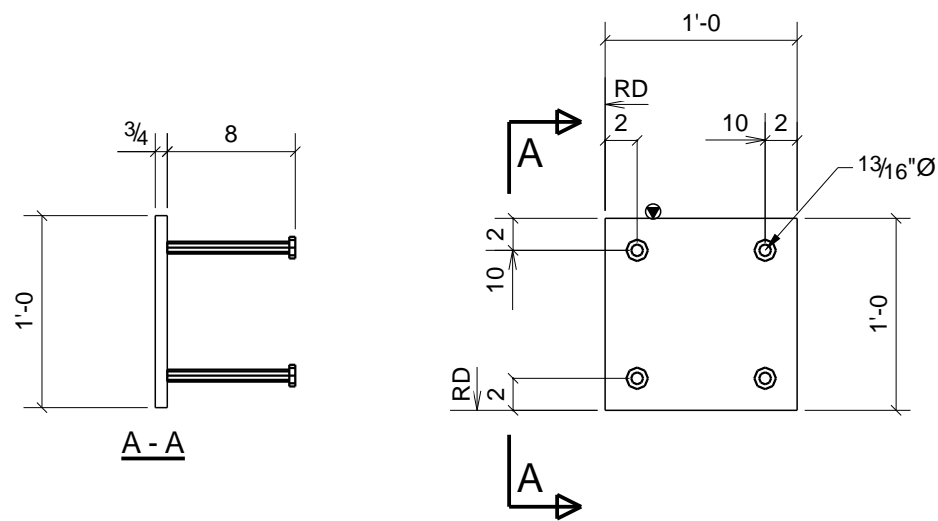


ONE - DECK ANGLE - DA11

BILL OF MATERIAL

MARK	QTY	DESCRIPTION	LENGTH	WEIGHT	REMARKS
DA11	1	DECK ANGLE			SQ-2
DA11	1	L3X3X1/4	21'-0"	103	SHOP PRIMER A36
TOTAL WEIGHT THIS DRAWING				103	

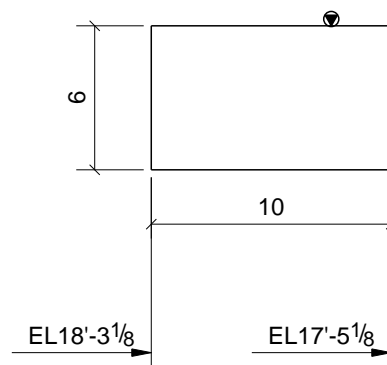
2	RESUBMIT FOR APPROVAL	12/01/2023
REV	DESCRIPTION	DATE
BUCHANAN GROUP, LLC		
13617 LYTTLE LANE HELOTES, TEXAS 78023		
DESCRIPTION	ASSEMBLY 2	
PROJECT NAME	COMMUNICARE HEADQUARTERS	
DRAWN BY		JOB No. 103
DATE DRAWN	11/30/2023	DRG No. DA11



10 - EMBEDS - EB1

BILL OF MATERIAL					
MARK	QTY	DESCRIPTION	LENGTH	WEIGHT	REMARKS
EB1	10	EMBEDS			SQ-2
EB1	10	FB3/4"X12"	1'-0"	306	SHOP PRIMER A36
	40	STUD 3/4" DIA	0'-8"	44	
TOTAL WEIGHT THIS DRAWING				351	

2	RESUBMIT FOR APPROVAL	12/01/2023
REV	DESCRIPTION	DATE
BUCHANAN GROUP, LLC 13617 LYTLE LANE HELOTES, TEXAS 78023		
DESCRIPTION	ASSEMBLY 2	
PROJECT NAME	COMMUNICARE HEADQUARTERS	
DRAWN BY		JOB No. 103
DATE DRAWN	11/19/2023	DRG No. EB1

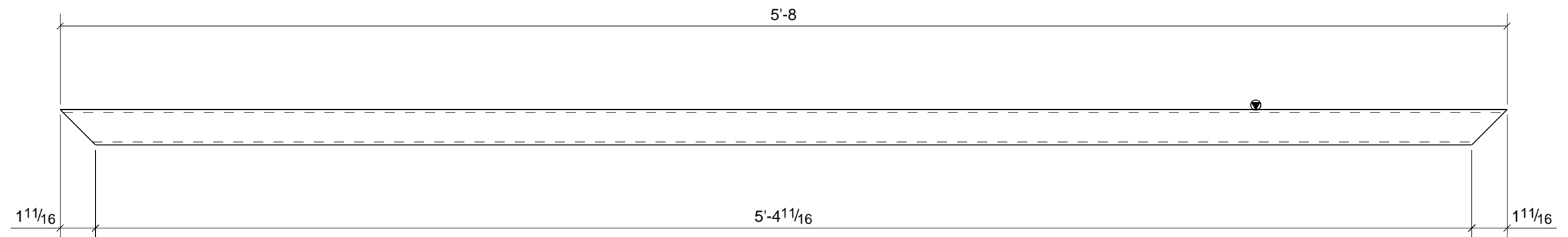


10 - GUSSET PLATES - G1

BILL OF MATERIAL

MARK	QTY	DESCRIPTION	LENGTH	WEIGHT	REMARKS	DESCRIPTION	ASSEMBLY	JOB No.	DRG No.
G1	10	GUSSET PLATES			SQ-2	PROJECT NAME	COMMUNICARE HEADQUARTERS		
G1	10	FB1/4"X6"	0'-10"	43	SHOP PRIMER A36	DRAWN BY	DW	103	G1
TOTAL WEIGHT THIS DRAWING				43		DATE DRAWN	11/12/2023		

1	RELEASED FOR FABRICATION	11/16/2023
REV	DESCRIPTION	DATE
BUCHANAN GROUP, LLC		
13617 LYTLE LANE HELOTES, TEXAS 78023		
DESCRIPTION ASSEMBLY		
PROJECT NAME COMMUNICARE HEADQUARTERS		
DRAWN BY DW		
DATE DRAWN 11/12/2023		
JOB No. 103		
DRG No. G1		



2 - GUARDRAILS - GR1

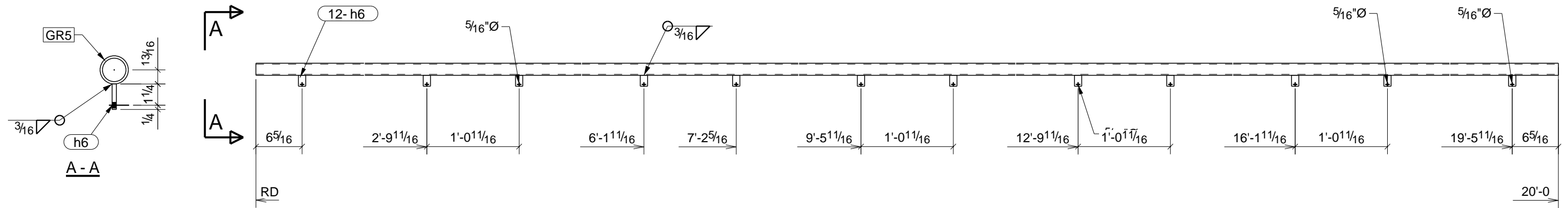
BILL OF MATERIAL

MARK	QTY	DESCRIPTION	LENGTH	WEIGHT	REMARKS	DESCRIPTION	STANDARD	JOB No.	DRG No.
GR1	2	GUARDRAILS			BEV-2	PROJECT NAME	COMMUNICARE HEADQUARTERS		
GR1	2	PIPE1-1/4STD	5'-8"	24	GALV-PAINTED A53-GR.B	DRAWN BY		103	GR1
TOTAL WEIGHT THIS DRAWING				24		DATE DRAWN	01/14/2024		

REV	DESCRIPTION	DATE
-----	-------------	------

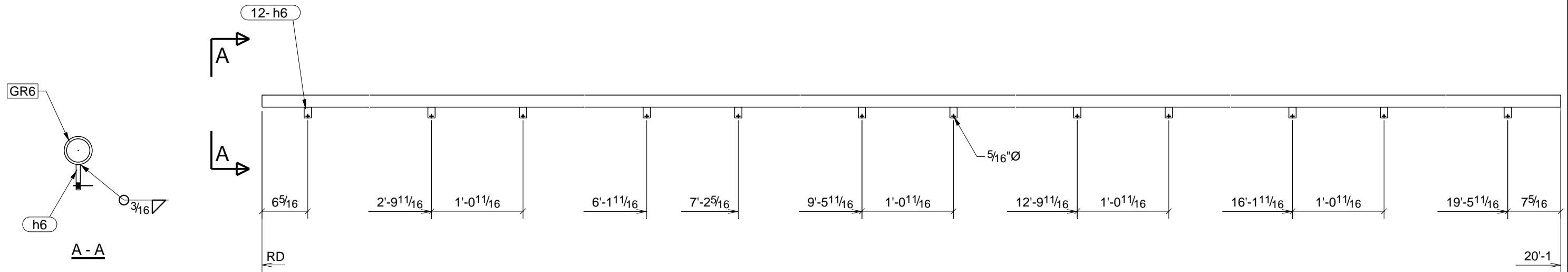
BUCHANAN GROUP, LLC

13617 LYTLE LANE
HELOTES, TEXAS 78023



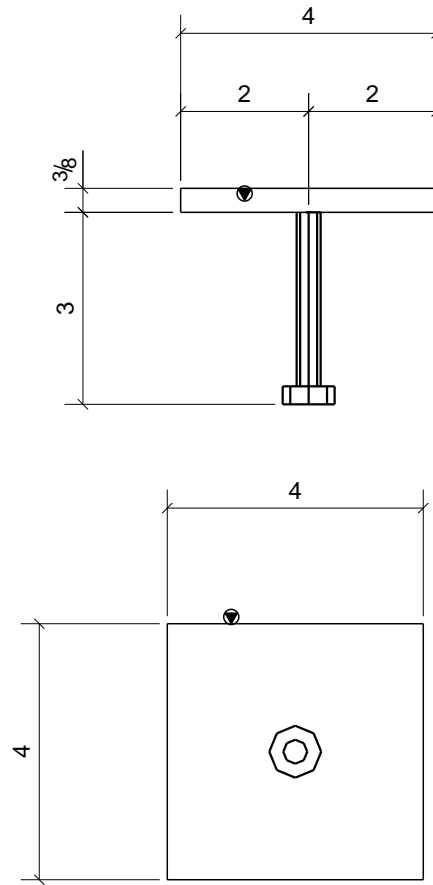
2 - GUARDRAILS - GR5

BILL OF MATERIAL						REV	DESCRIPTION	DATE	
MARK	QTY	DESCRIPTION	LENGTH	WEIGHT	REMARKS	BUCHANAN GROUP, LLC 13617 LYTLE LANE HELOTES, TEXAS 78023			
GR5	2	GUARDRAILS			SQ-2	DESCRIPTION	STANDARD		
GR5	2	PIPE 1-1/4 STD	20'-0"	86	GALV-PAINTED A53-GR.B	PROJECT NAME	COMMUNICARE HEADQUARTERS		
h6	24	FB 1/4" X 1"	0'-1 1/2"	3	POWDER COATED A36	DRAWN BY	JOB No.	DRG No.	
TOTAL WEIGHT THIS DRAWING				88		DATE DRAWN	02/07/2024	103	GR5



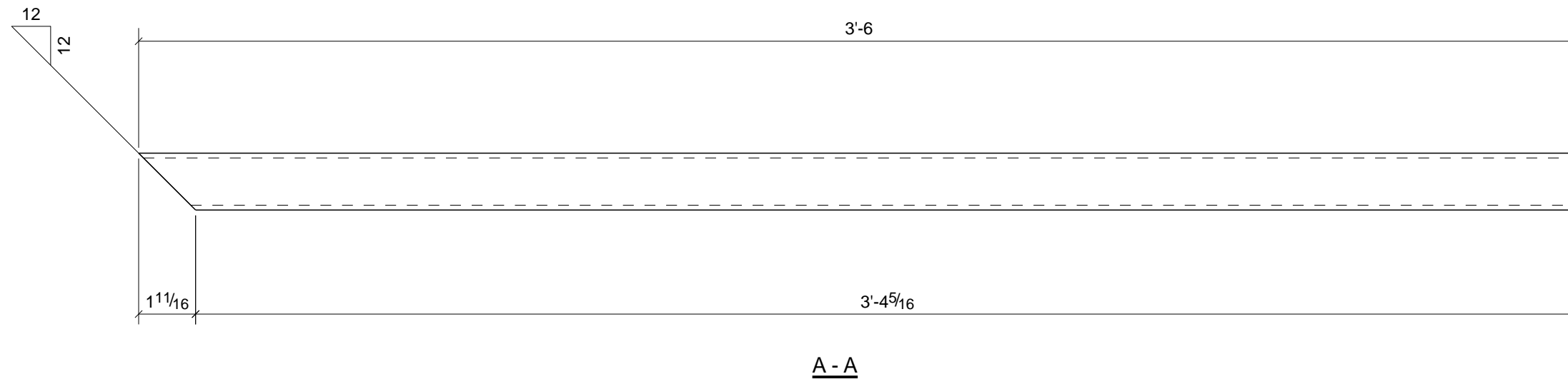
2 - GUARDRAILS - GR6

BILL OF MATERIAL						REV	DESCRIPTION	DATE
						BUCHANAN GROUP, LLC 13617 LYTLE LANE HELOTES, TEXAS 78023		
MARK	QTY	DESCRIPTION	LENGTH	WEIGHT	REMARKS	DESCRIPTION	STANDARD	
GR6	2	GUARDRAILS			SQ-2	PROJECT NAME	COMMUNICARE HEADQUARTERS	
GR6	2	PIPE1-1/4STD	20'-1"	86	GALV-PAINTED A53-GR.B	DRAWN BY	JOB No.	DRG No.
h6	24	FB1/4"X1"	0'-1 1/2"	3	POWDER COATED A36	DATE DRAWN	103	GR6
TOTAL WEIGHT THIS DRAWING				89		02/07/2024		



31 - EMBEDS - M4

BILL OF MATERIAL						REV	DESCRIPTION	DATE
						BUCHANAN GROUP, LLC 13617 LYTLE LANE HELOTES, TEXAS 78023		
MARK	QTY	DESCRIPTION	LENGTH	WEIGHT	REMARKS	DESCRIPTION	STANDARD	
M4	31	EMBEDS			SQ-2	PROJECT NAME	COMMUNICARE HEADQUARTERS	
M4	31	FB3/8"X4"	0'-4"	53	POWER COATED A36	DRAWN BY	JOB No.	DRG No.
	31	STUD 3/8" DIA	0'-3"	4		DATE DRAWN	103	M4
TOTAL WEIGHT THIS DRAWING				57		02/07/2024		

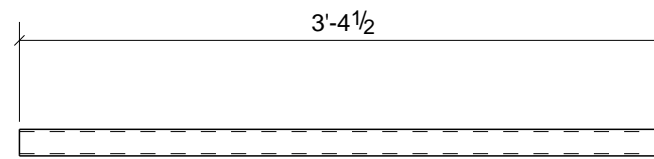


4 - POSTS - P1

BILL OF MATERIAL

MARK	QTY	DESCRIPTION	LENGTH	WEIGHT	REMARKS	DESCRIPTION	STANDARD	JOB No.	DRG No.
P1	4	POSTS			SQ-1/BEV-1	PROJECT NAME	COMMUNICARE HEADQUARTERS		
P1	4	PIPE1-1/4STD	3'-6"	30	GALV-PAINTED A53-GR.B	DRAWN BY		103	P1
TOTAL WEIGHT THIS DRAWING				30		DATE DRAWN	01/15/2024		

REV	DESCRIPTION	DATE
BUCHANAN GROUP, LLC 13617 LYTLE LANE HELOTES, TEXAS 78023		



27 - POSTS - P2

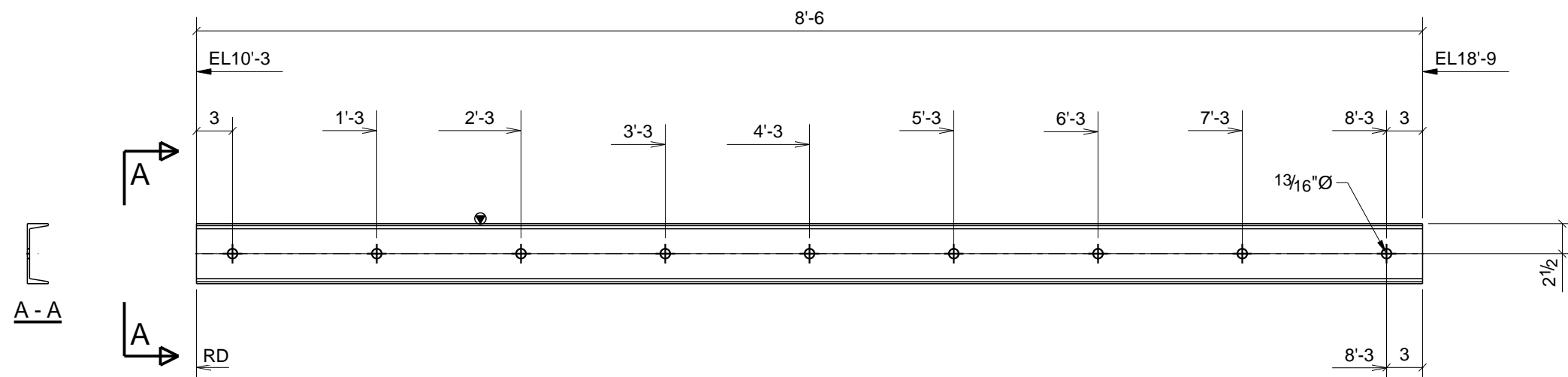
BILL OF MATERIAL

MARK	QTY	DESCRIPTION	LENGTH	WEIGHT	REMARKS	DESCRIPTION	STANDARD	JOB No.	DRG No.
P2	27	POSTS			SQ-2	PROJECT NAME	COMMUNICARE HEADQUARTERS		
P2	27	PIPE1-1/4STD	3'-4 1/2"	195	GALV-PAINTED A53-GR.B	DRAWN BY		103	P2
TOTAL WEIGHT THIS DRAWING				195		DATE DRAWN	01/15/2024		

REV	DESCRIPTION	DATE
-----	-------------	------

BUCHANAN GROUP, LLC
 13617 LYTLE LANE
 HELOTES, TEXAS 78023

GRID LOCATION	BOTTOM ELEVATION
A-B/2	10'-3"
B-C/2	10'-3"

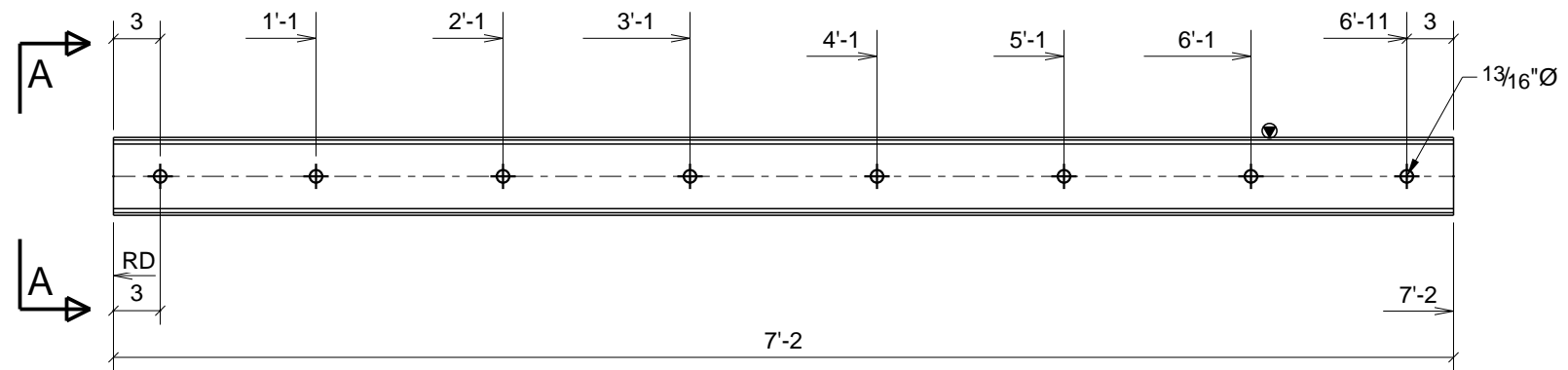


4 - PERIMETER CHANNELS - PC1

BILL OF MATERIAL					
MARK	QTY	DESCRIPTION	LENGTH	WEIGHT	REMARKS
PC1	4	PERIMETER CHANNELS			SQ-2
PC1	4	C5X6.7	8'-6"	228	SHOP PRIMER A36
	36	3/4"Ø EPOXY_ANC BOLT	0'-4"	0	Workshop
TOTAL WEIGHT THIS DRAWING				228	

1	RELEASED FOR FABRICATION	11/16/2023
REV	DESCRIPTION	DATE
BUCHANAN GROUP, LLC		
13617 LYTLE LANE HELOTES, TEXAS 78023		
DESCRIPTION	STANDARD	
PROJECT NAME	COMMUNICARE HEADQUARTERS	
DRAWN BY		JOB No.
DATE DRAWN	11/14/2023	103
		DRG No. PC1

A-A

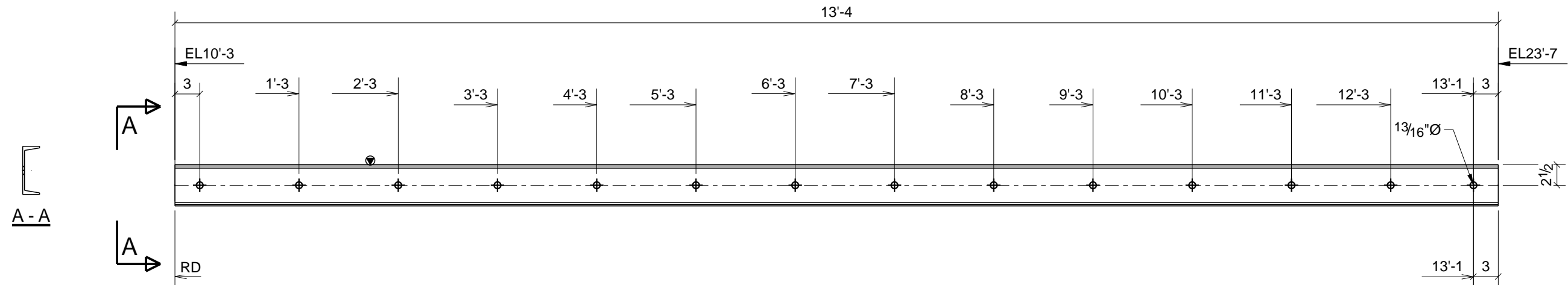


2 - PERIMETER CHANNELS - PC2

BILL OF MATERIAL					
MARK	QTY	DESCRIPTION	LENGTH	WEIGHT	REMARKS
PC2	2	PERIMETER CHANNELS			SQ-2
PC2	2	C5X6.7	7'-2"	96	SHOP PRIMER A36
	16	3/4"Ø EPOXY_ANC BOLT	0'-4"	0	Workshop
TOTAL WEIGHT THIS DRAWING				96	

1	RELEASED FOR FABRICATION	11/16/2023
REV	DESCRIPTION	DATE
BUCHANAN GROUP, LLC 13617 LYTTLE LANE HELOTES, TEXAS 78023		
DESCRIPTION	STANDARD	
PROJECT NAME	COMMUNICARE HEADQUARTERS	
DRAWN BY		JOB No. 103
DATE DRAWN	11/14/2023	DRG No. PC2

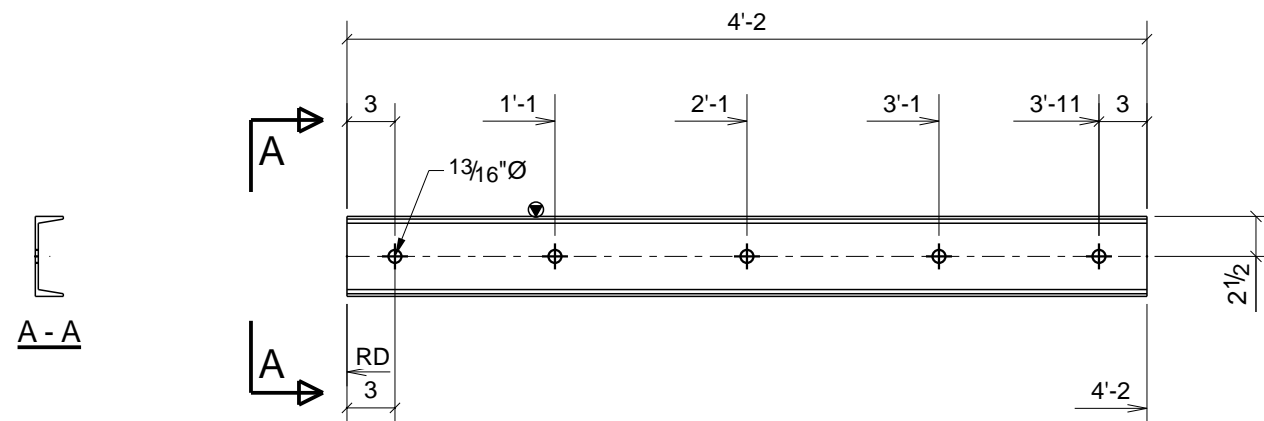
GRID LOCATION	BOTTOM ELEVATION
B-C/2	10'-3"
D-E/2	10'-3"



4 - PERIMETER CHANNELS - PC3

BILL OF MATERIAL					
MARK	QTY	DESCRIPTION	LENGTH	WEIGHT	REMARKS
PC3	4	PERIMETER CHANNELS			SQ-2
PC3	4	C5X6.7	13'-4"	358	SHOP PRIMER A36
	56	3/4"Ø EPOXY_ANC BOLT	0'-4"	0	Workshop
TOTAL WEIGHT THIS DRAWING				358	

1	RELEASED FOR FABRICATION	11/16/2023
REV	DESCRIPTION	DATE
BUCHANAN GROUP, LLC		
13617 LYTLE LANE HELOTES, TEXAS 78023		
DESCRIPTION	STANDARD	
PROJECT NAME	COMMUNICARE HEADQUARTERS	
DRAWN BY		JOB No.
DATE DRAWN	11/14/2023	103
		DRG No. PC3

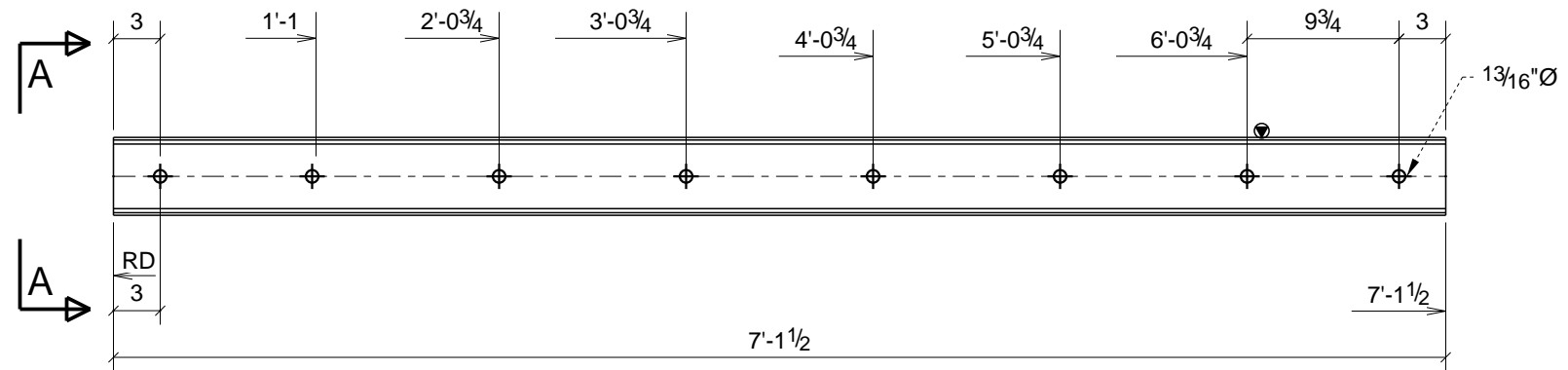


2 - PERIMETER CHANNELS - PC4

BILL OF MATERIAL					
MARK	QTY	DESCRIPTION	LENGTH	WEIGHT	REMARKS
PC4	2	PERIMETER CHANNELS			SQ-2
PC4	2	C5X6.7	4'-2"	56	SHOP PRIMER A36
	10	3/4"Ø EPOXY_ANC BOLT	0'-4"	0	Workshop
		TOTAL WEIGHT THIS DRAWING		56	

1	RELEASED FOR FABRICATION	11/16/2023
REV	DESCRIPTION	DATE
BUCHANAN GROUP, LLC		
13617 LYTLE LANE HELOTES, TEXAS 78023		
DESCRIPTION	STANDARD	
PROJECT NAME	COMMUNICARE HEADQUARTERS	
DRAWN BY		JOB No.
DATE DRAWN	11/14/2023	103
		DRG No. PC4

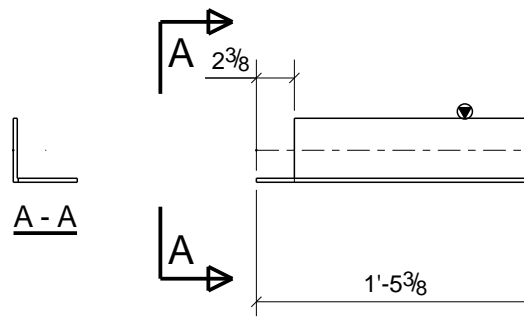
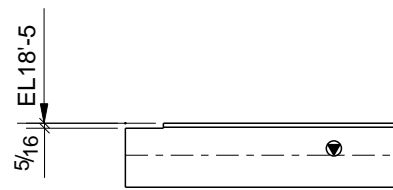
A-A



2 - PERIMETER CHANNELS - PC5

BILL OF MATERIAL					
MARK	QTY	DESCRIPTION	LENGTH	WEIGHT	REMARKS
PC5	2	PERIMETER CHANNELS			SQ-2
PC5	2	C5X6.7	7'-1 1/2"	96	SHOP PRIMER A36
	16	3/4"Ø EPOXY_ANC BOLT	0'-4"	0	Workshop
TOTAL WEIGHT THIS DRAWING				96	

REV	DESCRIPTION	DATE
BUCHANAN GROUP, LLC 13617 LYTLE LANE HELOTES, TEXAS 78023		
DESCRIPTION	STANDARD	
PROJECT NAME	COMMUNICARE HEADQUARTERS	
DRAWN BY		JOB No.
DATE DRAWN	11/15/2023	103
		DRG No.
		PC5

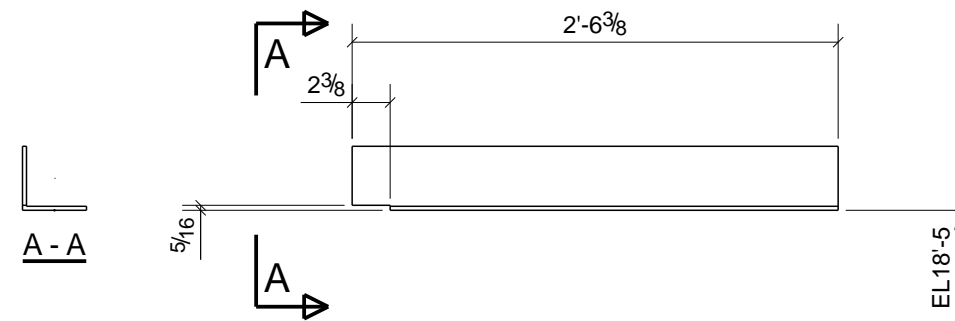


10 - OUTRIGGERS - R1

BILL OF MATERIAL

MARK	QTY	DESCRIPTION	LENGTH	WEIGHT	REMARKS
R1	10	OUTRIGGERS			SQ-2
R1	10	L4X4X1/4	1'-5 3/8"	95	SHOP PRIMER A36
TOTAL WEIGHT THIS DRAWING				95	

1	RELEASED FOR FABRICATION	11/16/2023
REV	DESCRIPTION	DATE
BUCHANAN GROUP, LLC		
13617 LYTLE LANE HELOTES, TEXAS 78023		
DESCRIPTION	ASSEMBLY	
PROJECT NAME	COMMUNICARE HEADQUARTERS	
DRAWN BY	DW	JOB No. 103
DATE DRAWN	11/12/2023	DRG No. R1

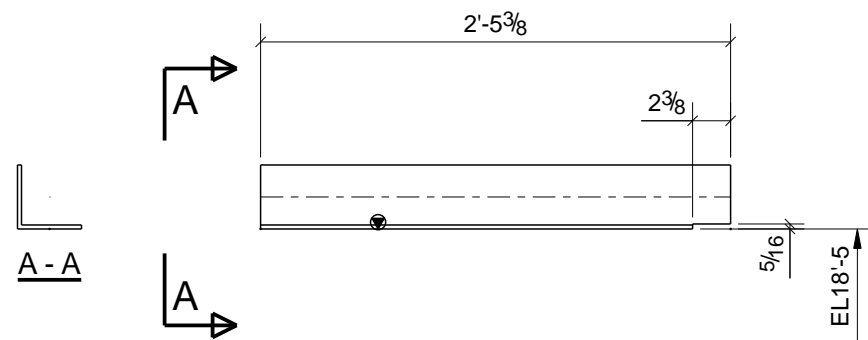


ONE - OUTRIGGER - R3

BILL OF MATERIAL

MARK	QTY	DESCRIPTION	LENGTH	WEIGHT	REMARKS
R3	1	OUTRIGGER			SQ-2
R3	1	L4X4X1/4	2'-6 3/8"	17	SHOP PRIMER A36
TOTAL WEIGHT THIS DRAWING				17	

1	RELEASED FOR FABRICATION	11/16/2023
REV	DESCRIPTION	DATE
BUCHANAN GROUP, LLC		
13617 LYTLE LANE HELOTES, TEXAS 78023		
DESCRIPTION	ASSEMBLY	
PROJECT NAME	COMMUNICARE HEADQUARTERS	
DRAWN BY	DW	JOB No. 103
DATE DRAWN	11/12/2023	DRG No. R3

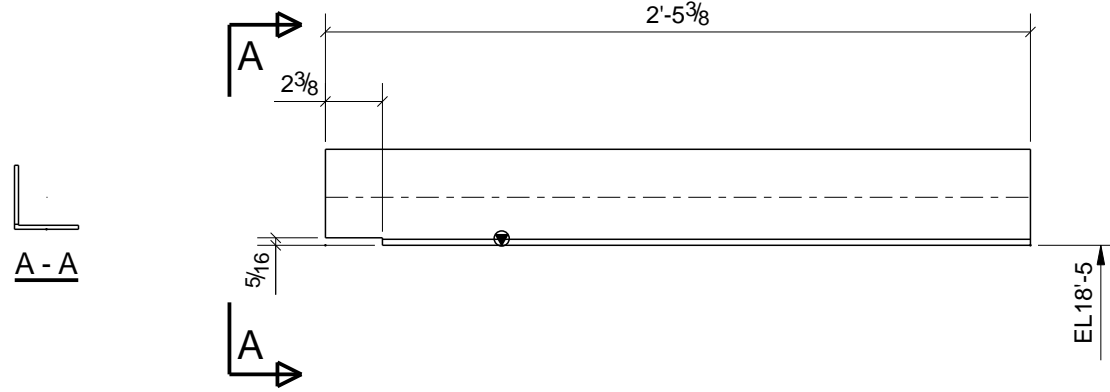


8 - OUTRIGGERS - R4

BILL OF MATERIAL

MARK	QTY	DESCRIPTION	LENGTH	WEIGHT	REMARKS
R4	8	OUTRIGGERS			SQ-2
R4	8	L4X4X1/4	2'-5 3/8"	129	SHOP PRIMER A36
TOTAL WEIGHT THIS DRAWING				129	

1	RELEASED FOR FABRICATION	11/16/2023
REV	DESCRIPTION	DATE
BUCHANAN GROUP, LLC		
13617 LYTTLE LANE HELOTES, TEXAS 78023		
DESCRIPTION	ASSEMBLY	
PROJECT NAME	COMMUNICARE HEADQUARTERS	
DRAWN BY	DW	JOB No. 103
DATE DRAWN	11/12/2023	DRG No. R4

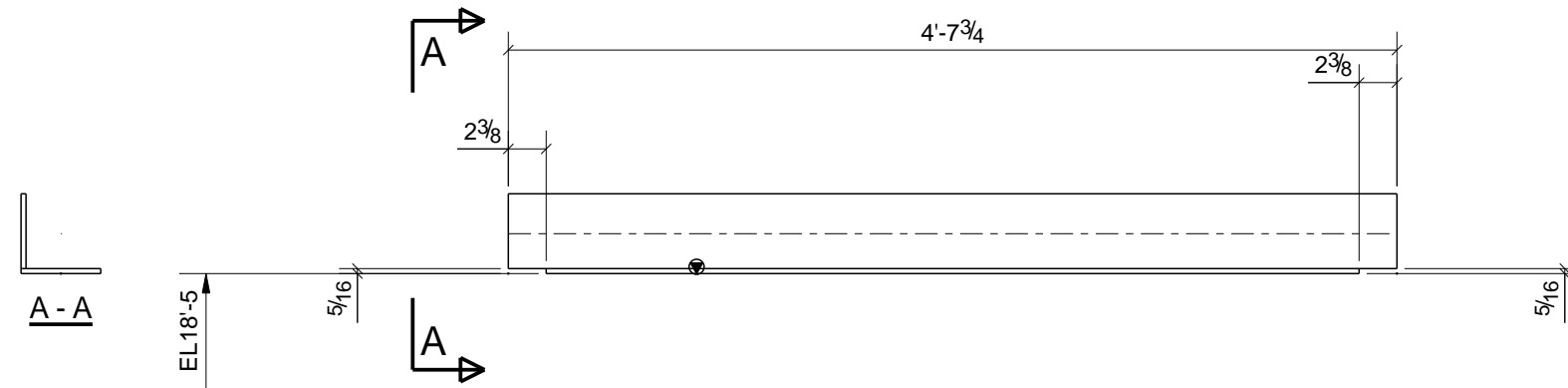


8 - OUTRIGGERS - R5

BILL OF MATERIAL

MARK	QTY	DESCRIPTION	LENGTH	WEIGHT	REMARKS
R5	8	OUTRIGGERS			SQ-2
R5	8	L4X4X1/4	2'-5 3/8"	129	SHOP PRIMER A36
TOTAL WEIGHT THIS DRAWING				129	

1	RELEASED FOR FABRICATION	11/16/2023
REV	DESCRIPTION	DATE
BUCHANAN GROUP, LLC		
13617 LYTLE LANE HELOTES, TEXAS 78023		
DESCRIPTION	ASSEMBLY	
PROJECT NAME	COMMUNICARE HEADQUARTERS	
DRAWN BY	DW	JOB No. 103
DATE DRAWN	11/12/2023	DRG No. R5

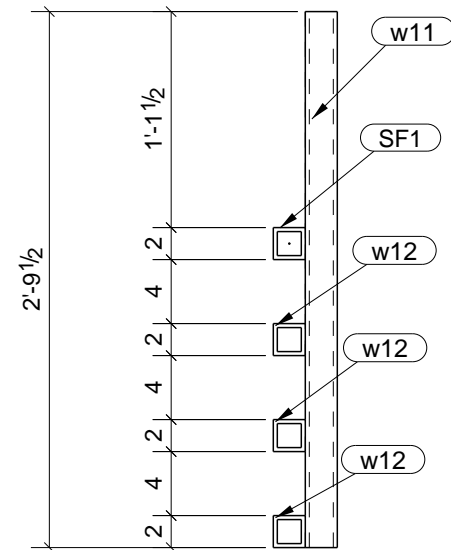


4 - SUPPORT ANGLES - SA2

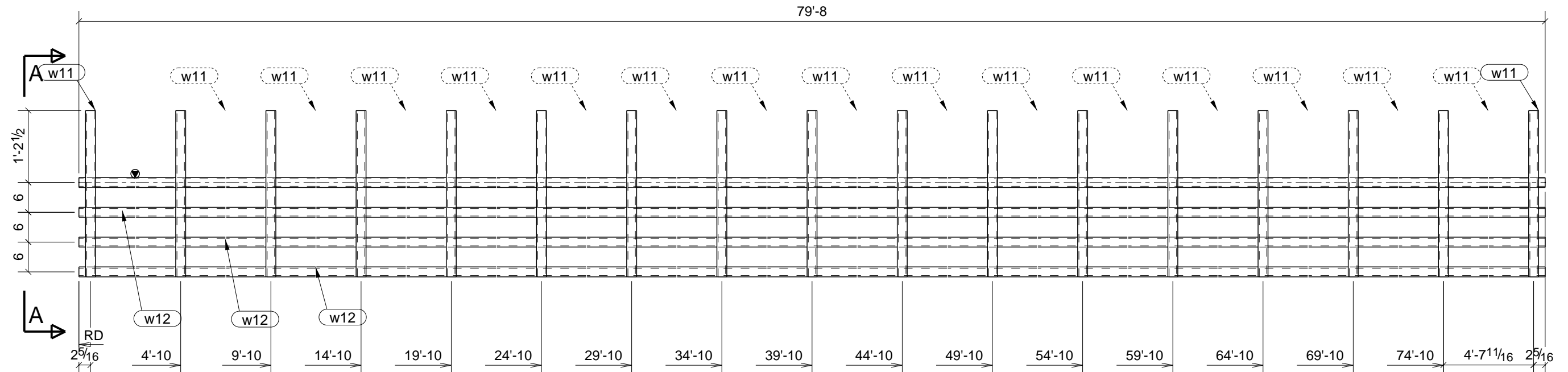
BILL OF MATERIAL

MARK	QTY	DESCRIPTION	LENGTH	WEIGHT	REMARKS
SA2	4	SUPPORT ANGLES			SQ-2
SA2	4	L5X5X5/16	4'-7 3/4"	194	SHOP PRIMER A36
TOTAL WEIGHT THIS DRAWING				194	

1	RELEASED FOR FABRICATION	11/16/2023
REV	DESCRIPTION	DATE
BUCHANAN GROUP, LLC		
13617 LYTLE LANE HELOTES, TEXAS 78023		
DESCRIPTION	ASSEMBLY	
PROJECT NAME	COMMUNICARE HEADQUARTERS	
DRAWN BY	DW	JOB No. 103
DATE DRAWN	11/12/2023	DRG No. SA2



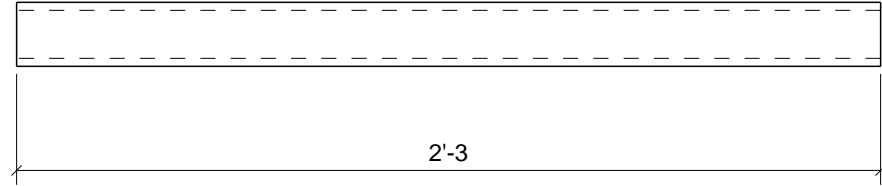
A - A



2 - STEEL FRAMES - SF1

BILL OF MATERIAL					
MARK	QTY	DESCRIPTION	LENGTH	WEIGHT	REMARKS
SF1	2	STEEL FRAMES			SQ-2
SF1	2	HSS2X2X1/4	79'-8"	819	PAINTED A500-GR.B
w11	34	HSS2X2X1/4	2'-9 1/2"	488	PAINTED A500-GR.B
w12	6	HSS2X2X1/4	79'-8"	2456	PAINTED A500-GR.B
TOTAL WEIGHT THIS DRAWING				3763	

2	RESUBMIT FOR APPROVAL	12/01/2023
REV	DESCRIPTION	DATE
BUCHANAN GROUP, LLC		
13617 LYTLE LANE HELOTES, TEXAS 78023		
DESCRIPTION	STANDARD	
PROJECT NAME	COMMUNICARE HEADQUARTERS	
DRAWN BY		JOB No.
DATE DRAWN	11/30/2023	103
		DRG No. SF1

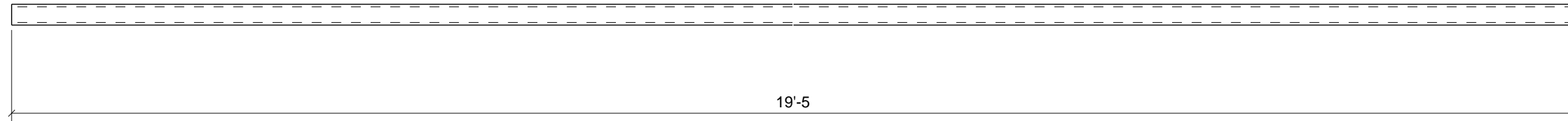


10 - STEEL FRAMES - SF2

BILL OF MATERIAL

MARK	QTY	DESCRIPTION	LENGTH	WEIGHT	REMARKS	DESCRIPTION	STANDARD	JOB No.	DRG No.
SF2	10	STEEL FRAMES			SQ-2	PROJECT NAME	COMMUNICARE HEADQUARTERS		
SF2	10	HSS2X2X1/4	2'-3"	116	PAINTED A500-GR.B	DRAWN BY		103	SF2
TOTAL WEIGHT THIS DRAWING				116		DATE DRAWN	01/15/2024		

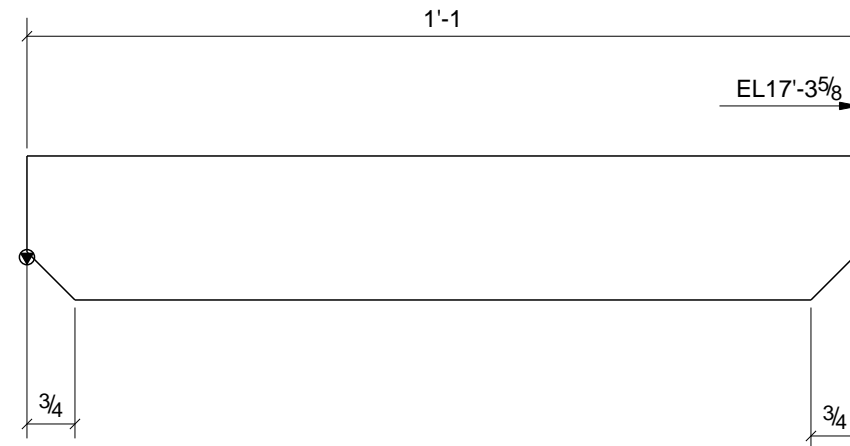
REV	DESCRIPTION	DATE
BUCHANAN GROUP, LLC 13617 LYTLE LANE HELOTES, TEXAS 78023		



5 - STEEL FRAMES - SF3

BILL OF MATERIAL					
MARK	QTY	DESCRIPTION	LENGTH	WEIGHT	REMARKS
SF3	5	STEEL FRAMES			SQ-2
SF3	5	HSS2X2X1/4	19'-5"	499	PAINTED A500-GR.B
TOTAL WEIGHT THIS DRAWING				499	

REV	DESCRIPTION	DATE
	BUCHANAN GROUP, LLC 13617 LYTTLE LANE HELOTES, TEXAS 78023	
	DESCRIPTION STANDARD	
	PROJECT NAME COMMUNICARE HEADQUARTERS	
	DRAWN BY	JOB No. 103
	DATE DRAWN 01/15/2024	DRG No. SF3

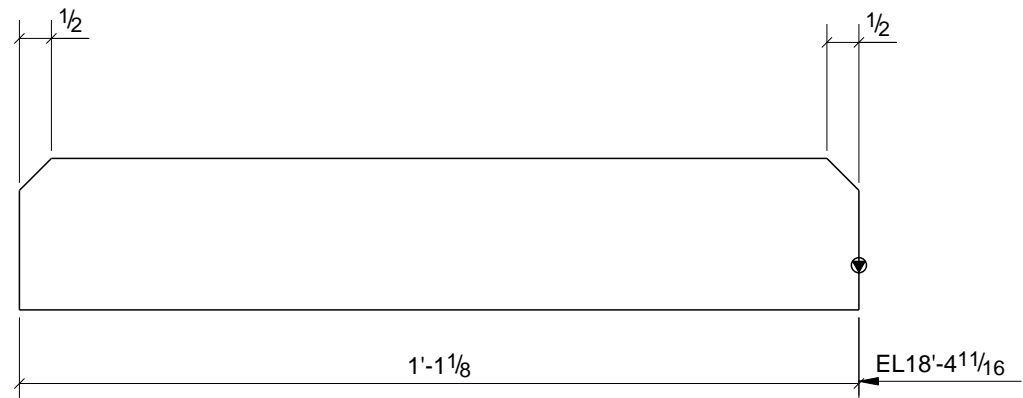


8 - STIFFENER PLATES - SP1

BILL OF MATERIAL

MARK	QTY	DESCRIPTION	LENGTH	WEIGHT	REMARKS
SP1	8	STIFFENER PLATES			SQ-2
SP1	8	FB3/8"X2 1/4"	1'-1"	24	SHOP PRIMER A36
TOTAL WEIGHT THIS DRAWING				24	

1	RELEASED FOR FABRICATION	11/16/2023
REV	DESCRIPTION	DATE
BUCHANAN GROUP, LLC		
13617 LYTLE LANE HELOTES, TEXAS 78023		
DESCRIPTION	ASSEMBLY	
PROJECT NAME	COMMUNICARE HEADQUARTERS	
DRAWN BY	DW	JOB No. 103
DATE DRAWN	11/12/2023	DRG No. SP1

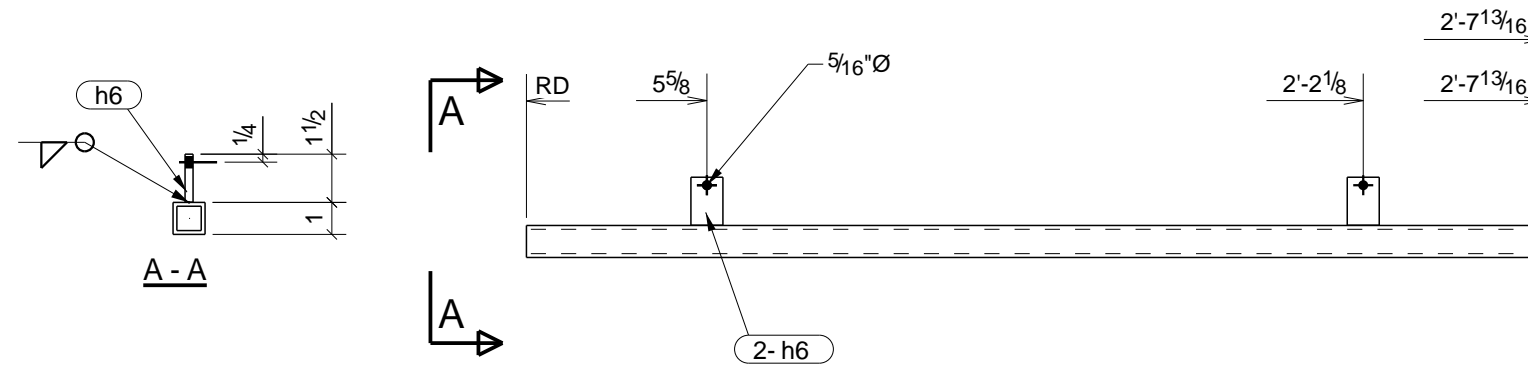


8 - STIFFENER PLATES - SP2

BILL OF MATERIAL

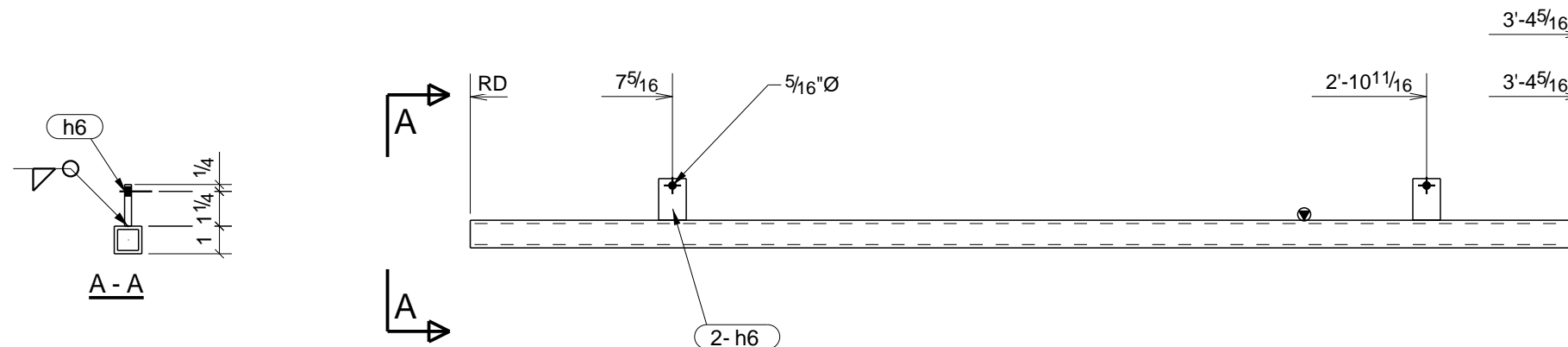
MARK	QTY	DESCRIPTION	LENGTH	WEIGHT	REMARKS	DESCRIPTION	ASSEMBLY	JOB No.	DRG No.
SP2	8	STIFFENER PLATES			SQ-2	PROJECT NAME	COMMUNICARE HEADQUARTERS		
SP2	8	PL3/8"X2 3/8"	1'-1 1/8"	26	SHOP PRIMER A36	DRAWN BY	DW	103	SP2
TOTAL WEIGHT THIS DRAWING				26		DATE DRAWN	11/12/2023		

1	RELEASED FOR FABRICATION	11/16/2023
REV	DESCRIPTION	DATE
BUCHANAN GROUP, LLC		
13617 LYTLE LANE HELOTES, TEXAS 78023		
DESCRIPTION ASSEMBLY		
PROJECT NAME COMMUNICARE HEADQUARTERS		
DRAWN BY DW		
DATE DRAWN 11/12/2023		
JOB No. 103		
DRG No. SP2		



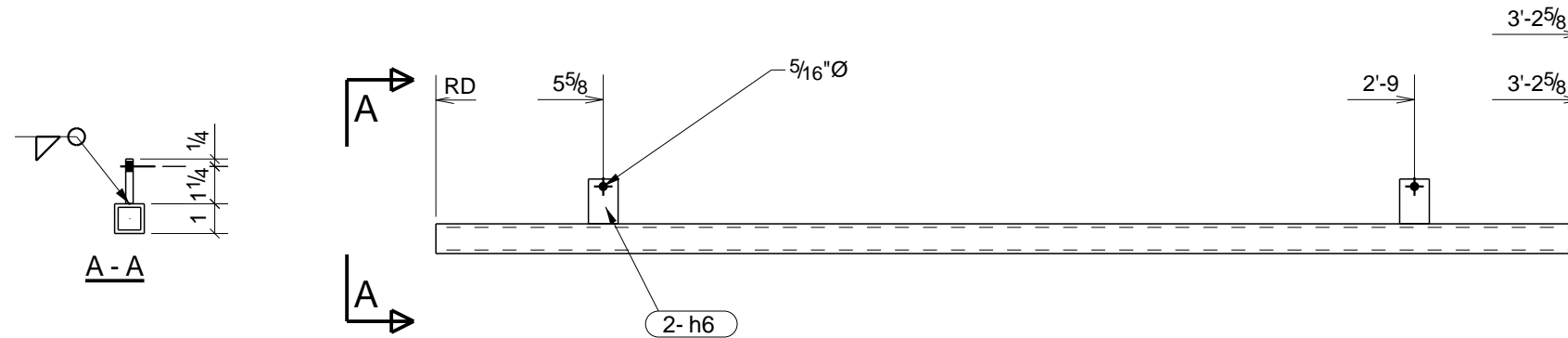
4 - TUBINGS - T2

BILL OF MATERIAL						REV	DESCRIPTION	DATE
						BUCHANAN GROUP, LLC		
						13617 LYTLE LANE		
						HELOTES, TEXAS 78023		
MARK	QTY	DESCRIPTION	LENGTH	WEIGHT	REMARKS	DESCRIPTION	STANDARD	
T2	4	TUBINGS			SQ-2	PROJECT NAME	COMMUNICARE HEADQUARTERS	
T2	4	HSS1X1X11 GA	2'-7 13/16"	22	POWDER COATED A36	DRAWN BY	JOB No.	DRG No.
h6	8	FB1/4"X1"	0'-1 1/2"	1	POWDER COATED A36	DATE DRAWN	103	T2
TOTAL WEIGHT THIS DRAWING				23		02/07/2024		



2 - TUBINGS - T3

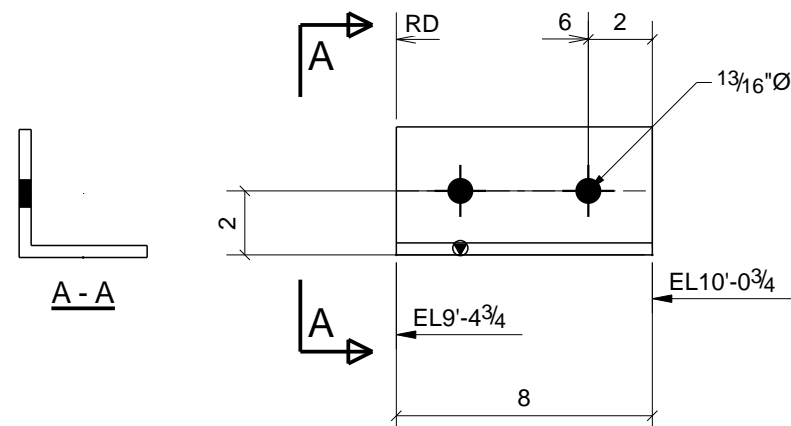
BILL OF MATERIAL						REV	DESCRIPTION	DATE
						BUCHANAN GROUP, LLC 13617 LYTLE LANE HELOTES, TEXAS 78023		
MARK	QTY	DESCRIPTION	LENGTH	WEIGHT	REMARKS	DESCRIPTION	STANDARD	
T3	2	TUBINGS			SQ-2	PROJECT NAME	COMMUNICARE HEADQUARTERS	
T3	2	HSS1X1X11 GA	3'-4 5/16"	14	POWDER COATED A36	DRAWN BY	JOB No.	DRG No.
h6	4	FB1/4"X1"	0'-1 1/2"	0	POWDER COATED A36	DATE DRAWN	103	T3
TOTAL WEIGHT THIS DRAWING				14		02/07/2024		



22 - TUBINGS - T4

BILL OF MATERIAL						REV	DESCRIPTION	DATE
						BUCHANAN GROUP, LLC 13617 LYTLE LANE HELOTES, TEXAS 78023		
MARK	QTY	DESCRIPTION	LENGTH	WEIGHT	REMARKS	DESCRIPTION	STANDARD	
T4	22	TUBINGS			SQ-2	PROJECT NAME	COMMUNICARE HEADQUARTERS	
T4	22	HSS1X1X11 GA	3'-2 5/8"	147	POWDER COATED A36	DRAWN BY	JOB No.	DRG No.
h6	44	FB1/4"X1"	0'-1 1/2"	5	POWDER COATED	DATE DRAWN	103	T4
TOTAL WEIGHT THIS DRAWING				152		02/07/2024		

GRID LOCATION	BOTTOM ELEVATION
E/2	22'-7"5/8
E/2	9'-4"3/4
D/2	22'-7"5/8
D/2	9'-4"3/4
C/2	22'-7"5/8
C/2	9'-4"3/4
B/2	22'-7"5/8
B/2	9'-4"3/4
A/2	22'-7"5/8
A/2	9'-4"3/4



20 - WALL CONNECTION S - WC1

BILL OF MATERIAL

MARK	QTY	DESCRIPTION	LENGTH	WEIGHT	REMARKS	DESCRIPTION	ASSEMBLY 2	
WC1	20	WALL CONNECTION S			SQ-2	PROJECT NAME	COMMUNICARE HEADQUARTERS	
WC1	20	L4X4X3/8	0'-8"	130	SHOP PRIMER A36	DRAWN BY	JOB No.	
TOTAL WEIGHT THIS DRAWING				130		DATE DRAWN	11/19/2023	
							103	DRG No. WC1

2	RESUBMIT FOR APPROVAL	12/01/2023
REV	DESCRIPTION	DATE

BUCHANAN GROUP, LLC
 13617 LYTLE LANE
 HELOTES, TEXAS 78023