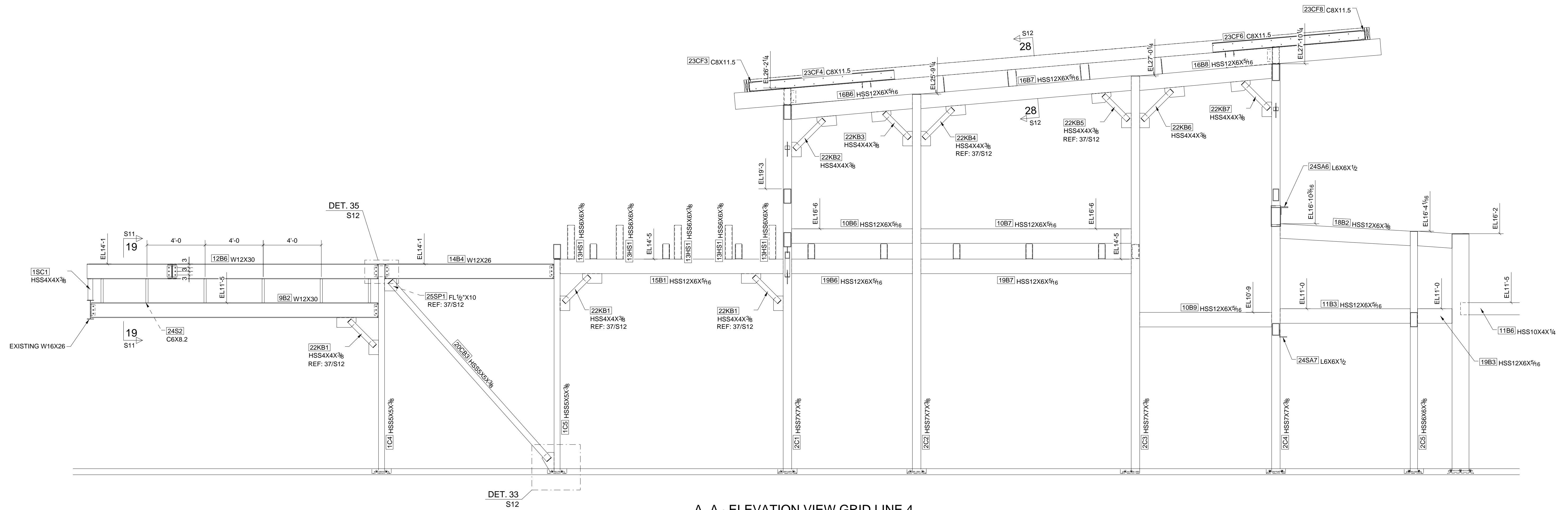
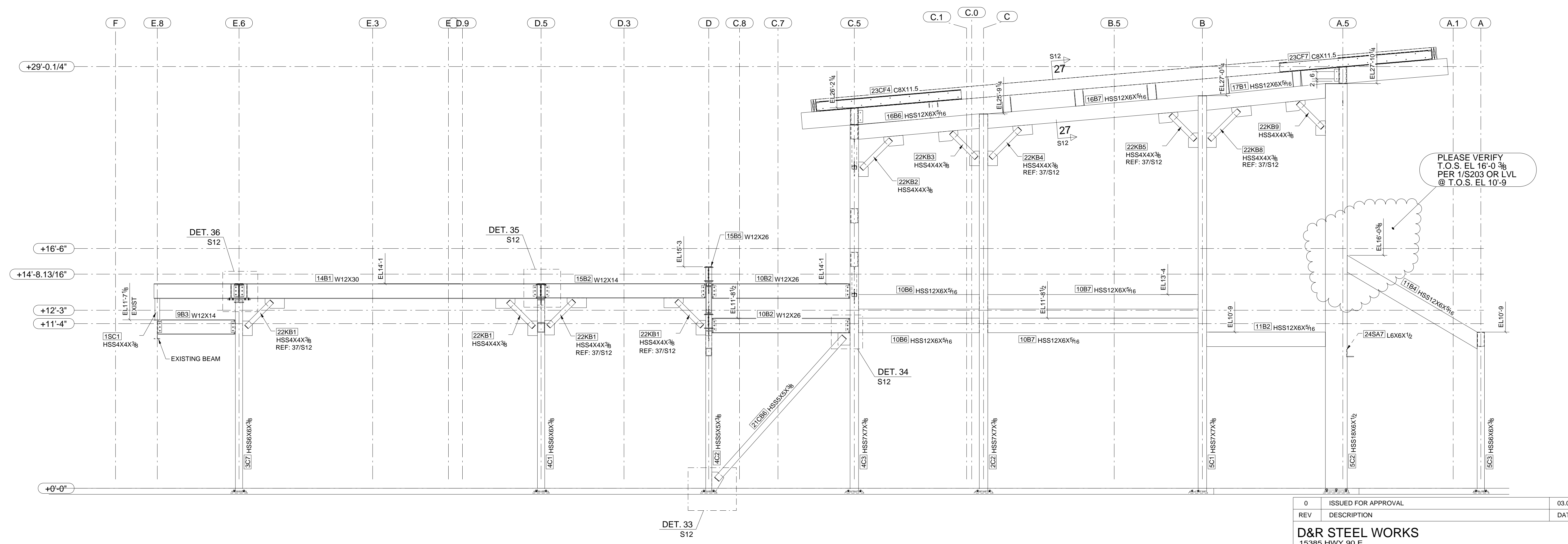


OVERALL BASE PLATE & COL'S PLAN VIEW

0	ISSUED FOR APPROVAL	03.05.18
REV	DESCRIPTION	DATE
D&R STEEL WORKS		
15385 HWY 90 E CASTROVILLE, TX 78009		
DESCRIPTION	OVERALL EMBED PLAN VIEW	
PROJECT NAME	HONDO MEDICAL CENTER	
DRAWN BY	DW, LLC.	JOB No.
DATE DRAWN	02/22/2018	DRG No.
		S1

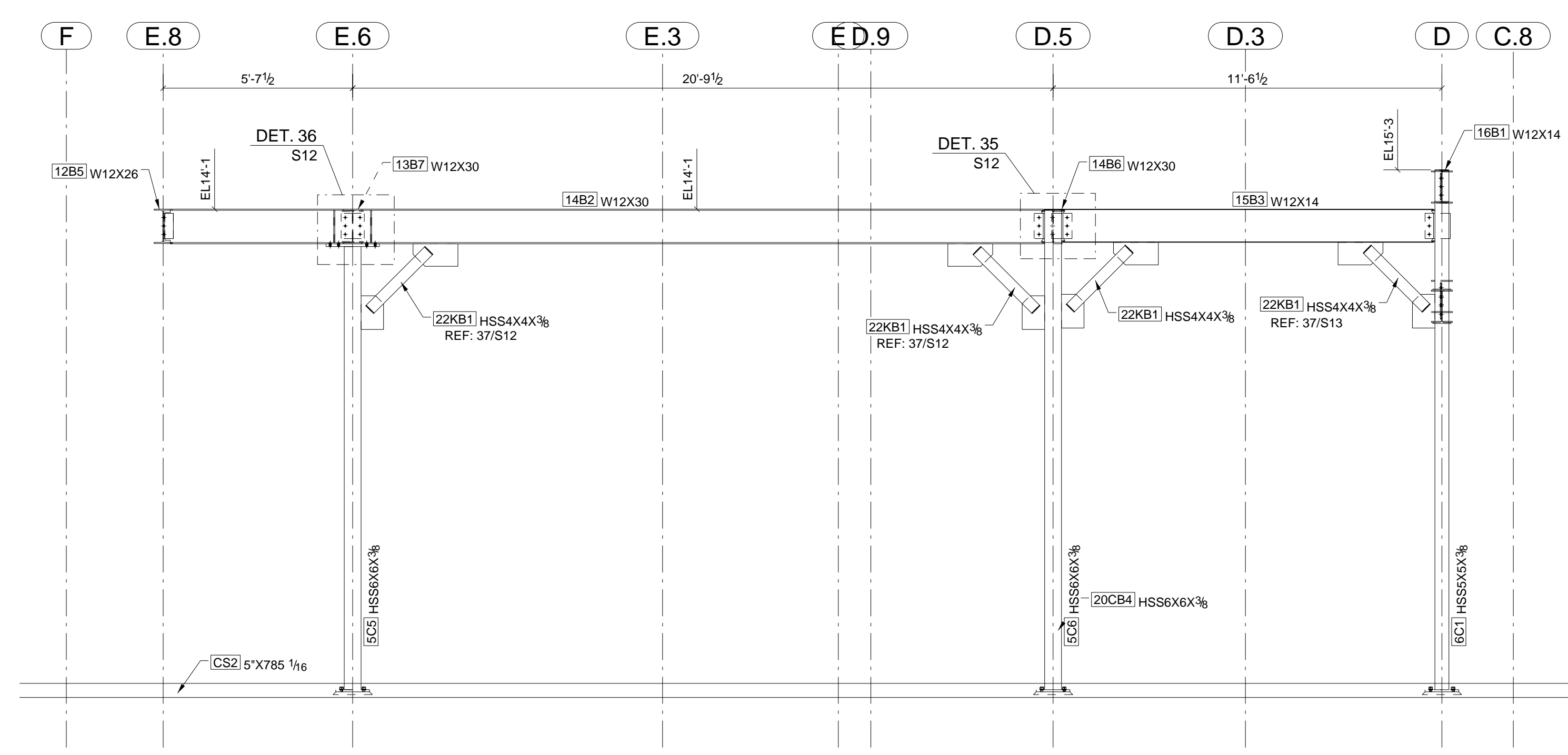


A - A - ELEVATION VIEW GRID LINE 4

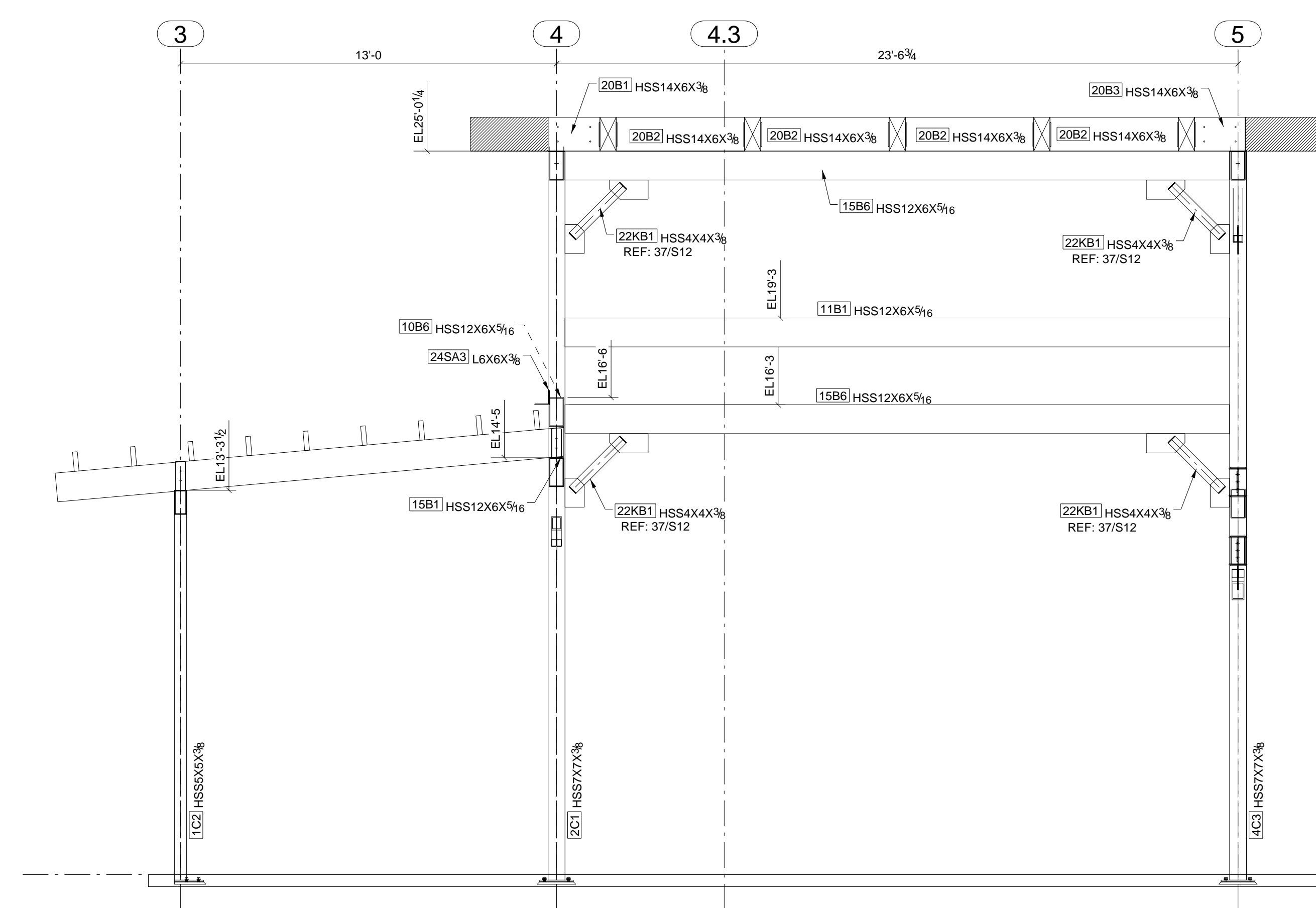


B - B - ELEVATION VIEW GRID LINE 5

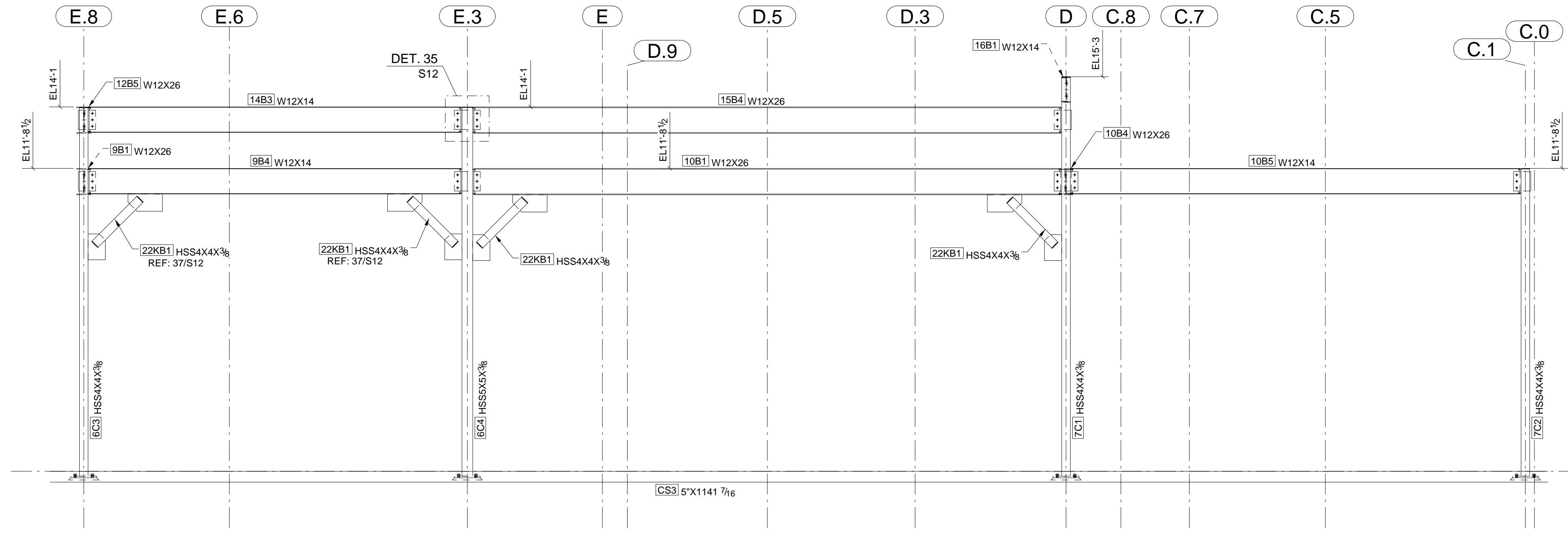
0	ISSUED FOR APPROVAL	03.05.18
REV	DESCRIPTION	DATE
D&R STEEL WORKS 15385 HWY 90 E CASTROVILLE, TX 78009		
DESCRIPTION	ELEVATION VIEWS	
PROJECT NAME	HONDO MEDICAL CENTER	
DRAWN BY	DW, LLC.	JOB No.
DATE DRAWN	02/26/2018	DRG No.
		S5



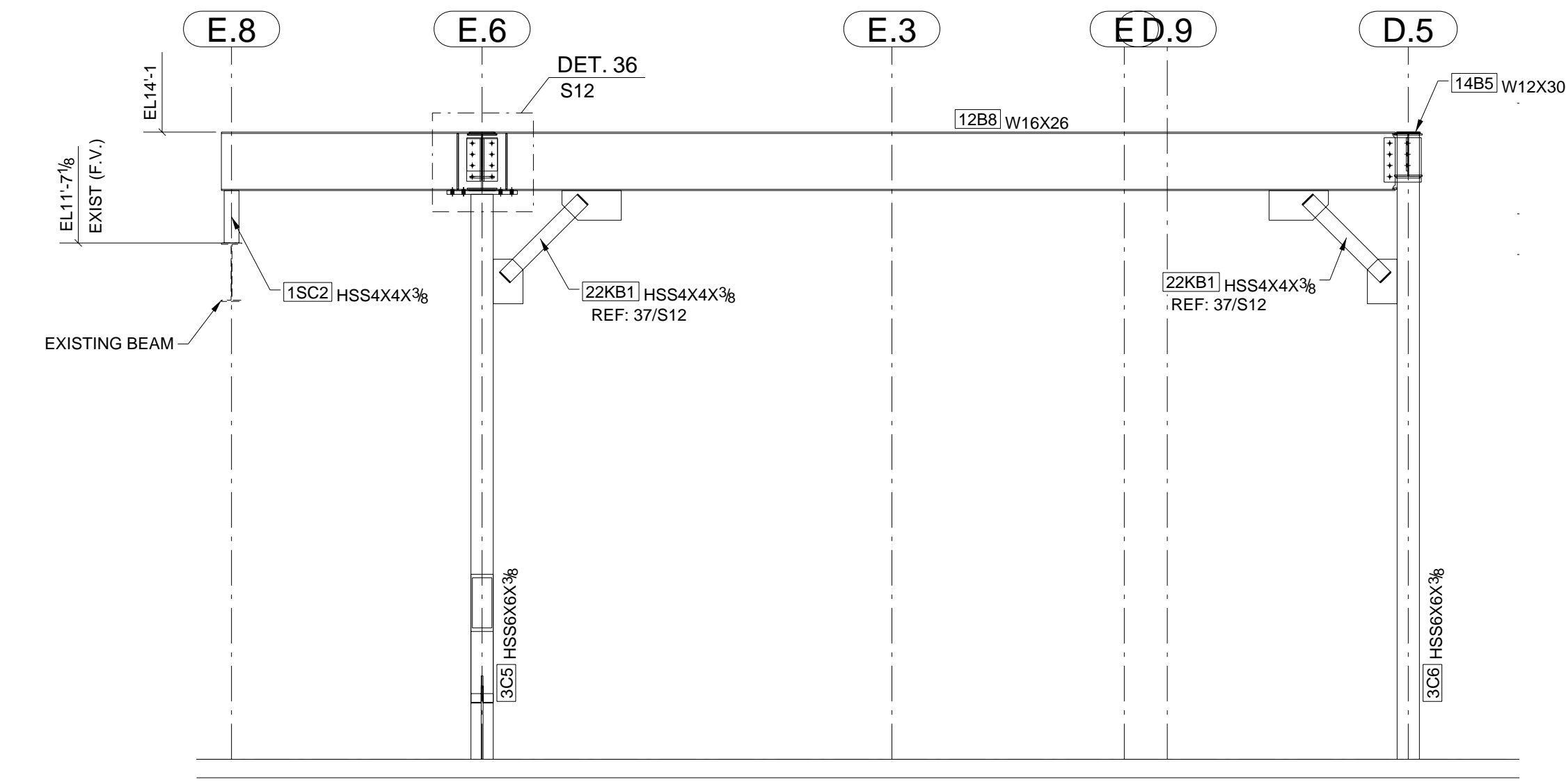
C - C ~ ELEVATION VIEW GRID LINE 6



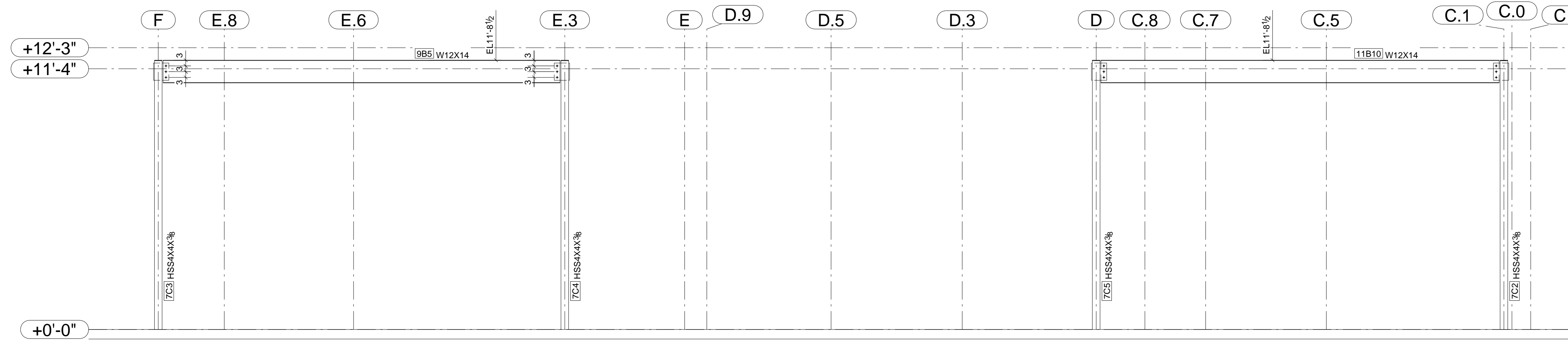
BB - BB ~ ELEVATION VIEW GRID LINE C.5



D - D ~ ELEVATION VIEW GRID LINE 6.4

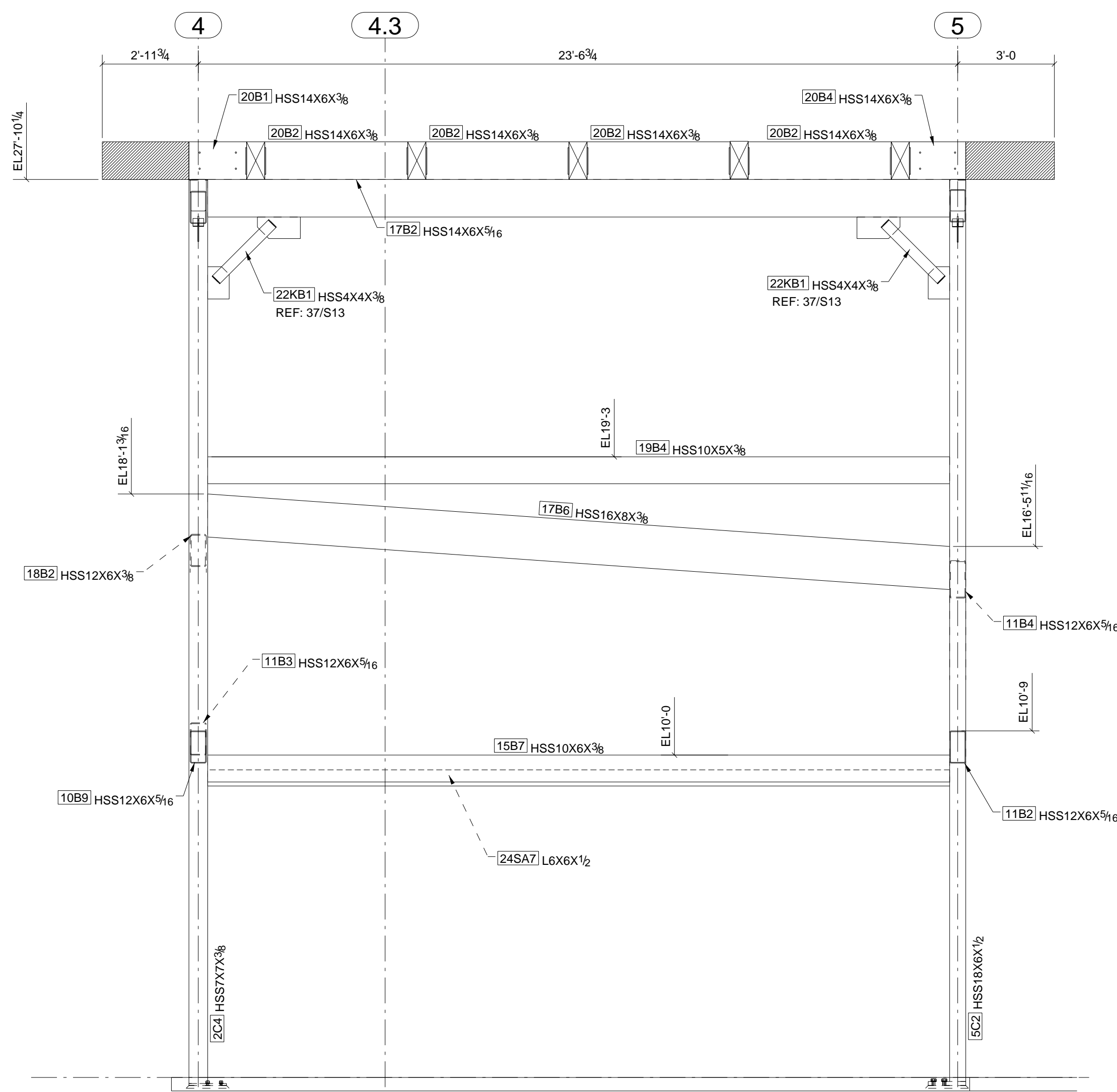


AA - AA ~ ELEVATION VIEW GRID LINE 4.3

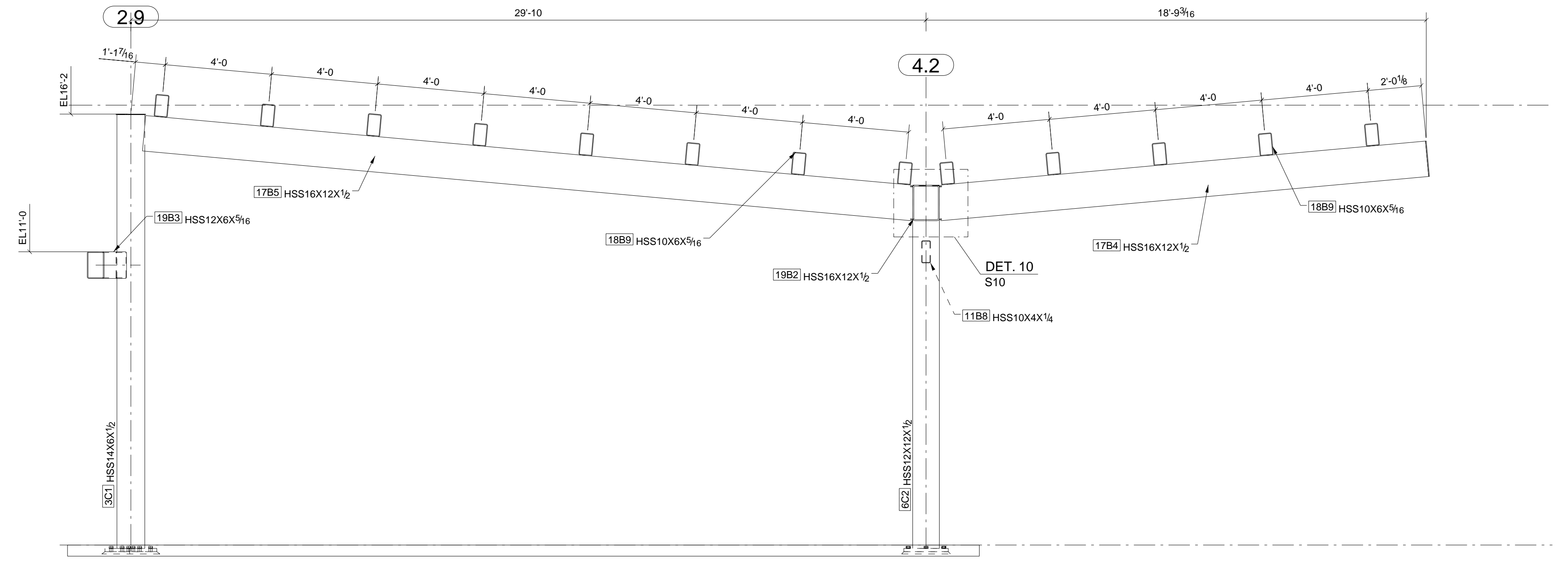


E - E ~ ELEVATION VIEW GRID LINE 8

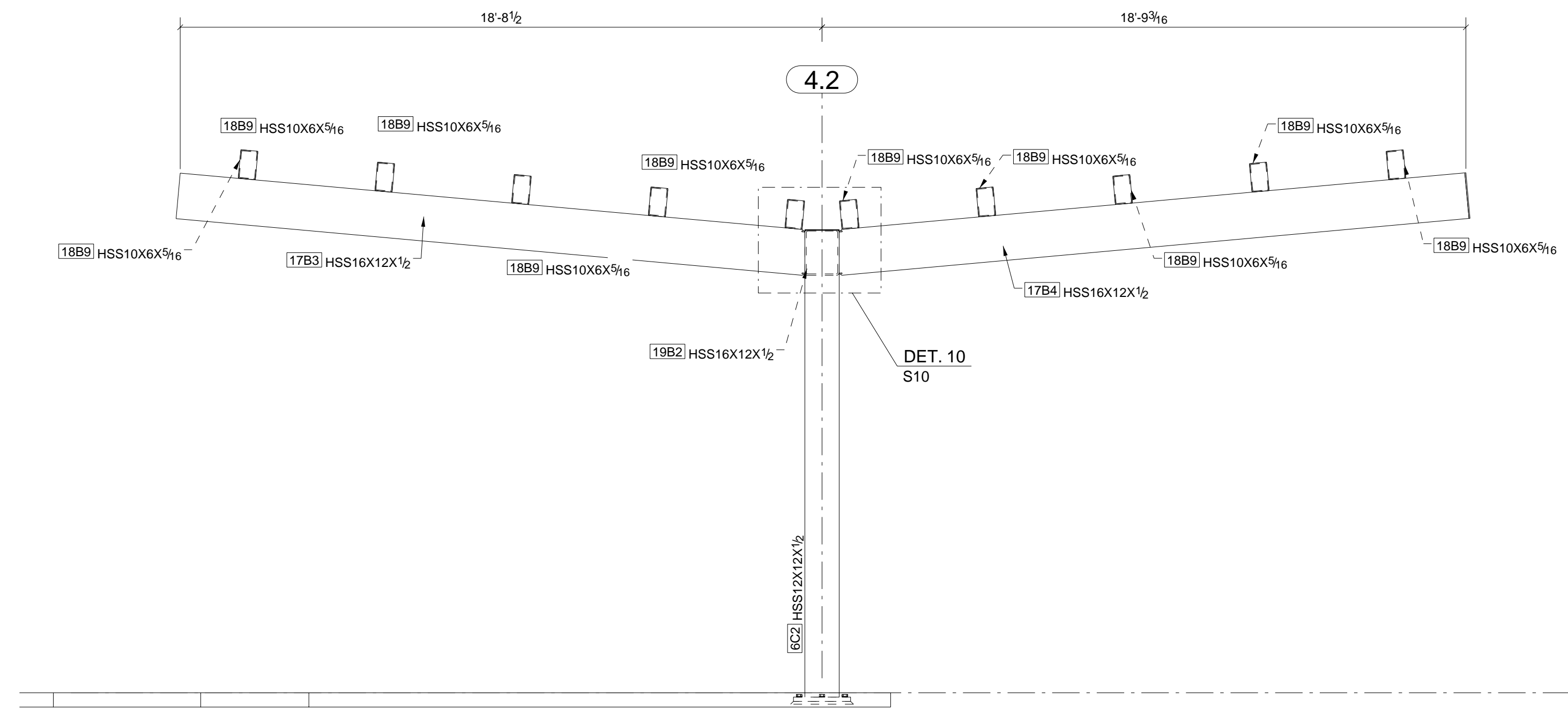
0	ISSUED FOR APPROVAL	03.05.18
REV	DESCRIPTION	DATE
D&R STEEL WORKS		
15385 HWY 90 E. CASTROVILLE, TX 78009		
DESCRIPTION	ELEVATION VIEWS	
PROJECT NAME	HONDO MEDICAL CENTER	
DRAWN BY	DW, LLC.	JOB No.
DATE DRAWN	02/26/2018	DRG No.
		S6



J - J ~ELEVATION VIEW GRID LINE A.5



M - M ~ELEVATION VIEW GRID LINE 6.6



N - N ~ELEVATION VIEW GRID LINE 8.2

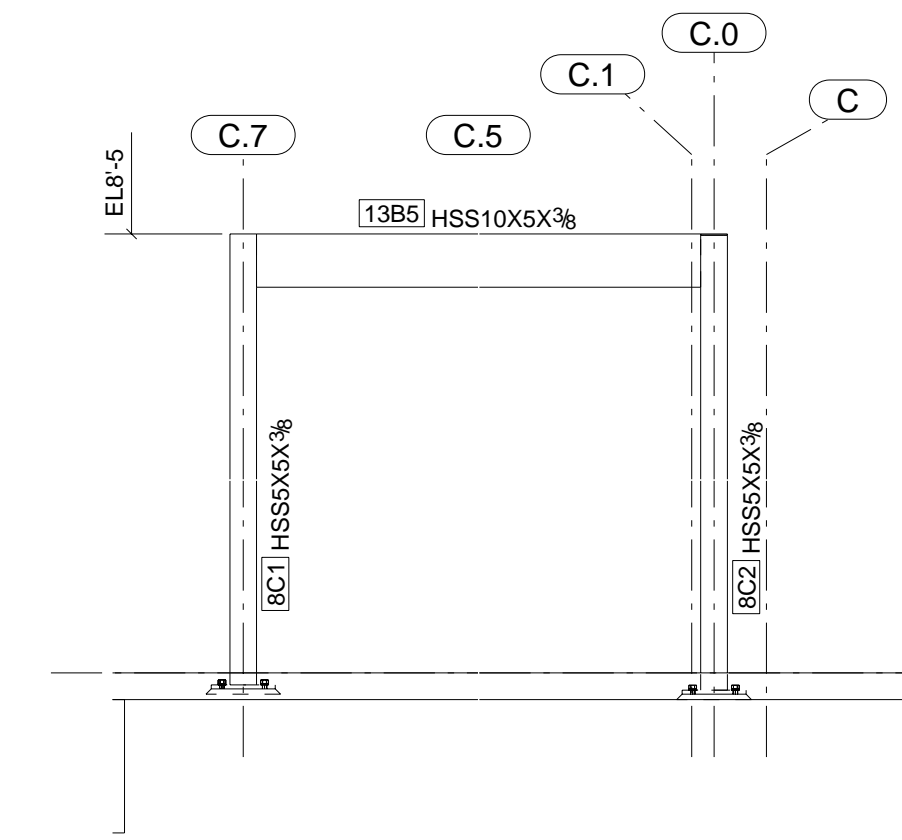
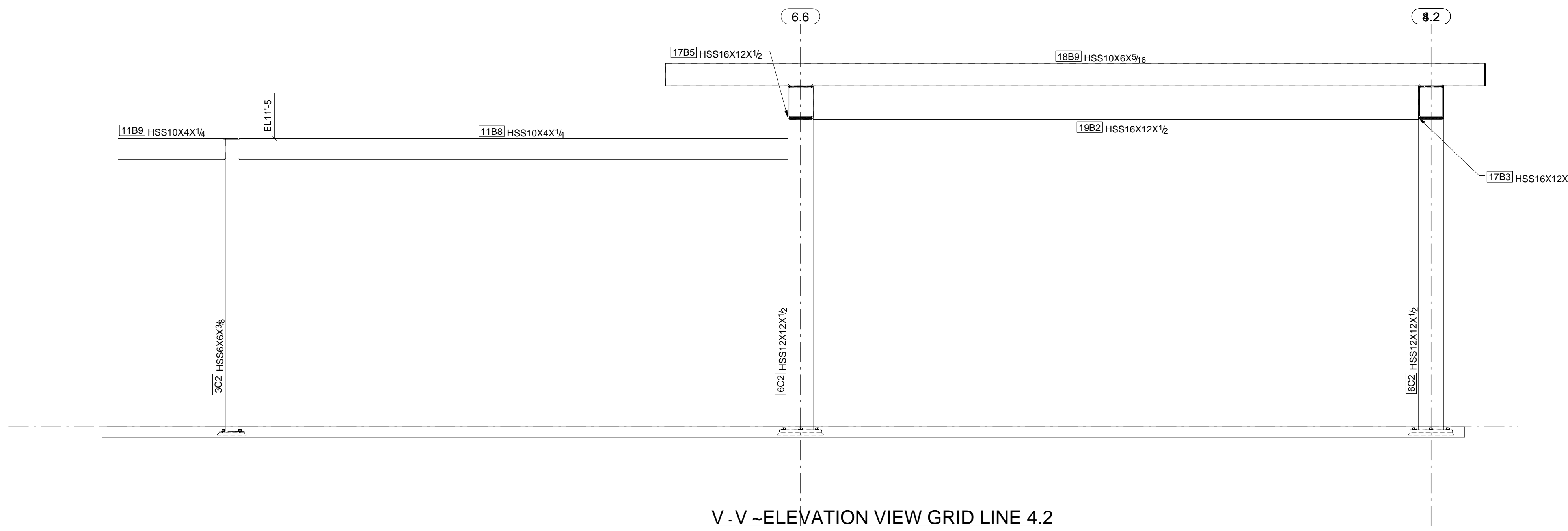


K - K ~ELEVATION VIEW GRID LINE A

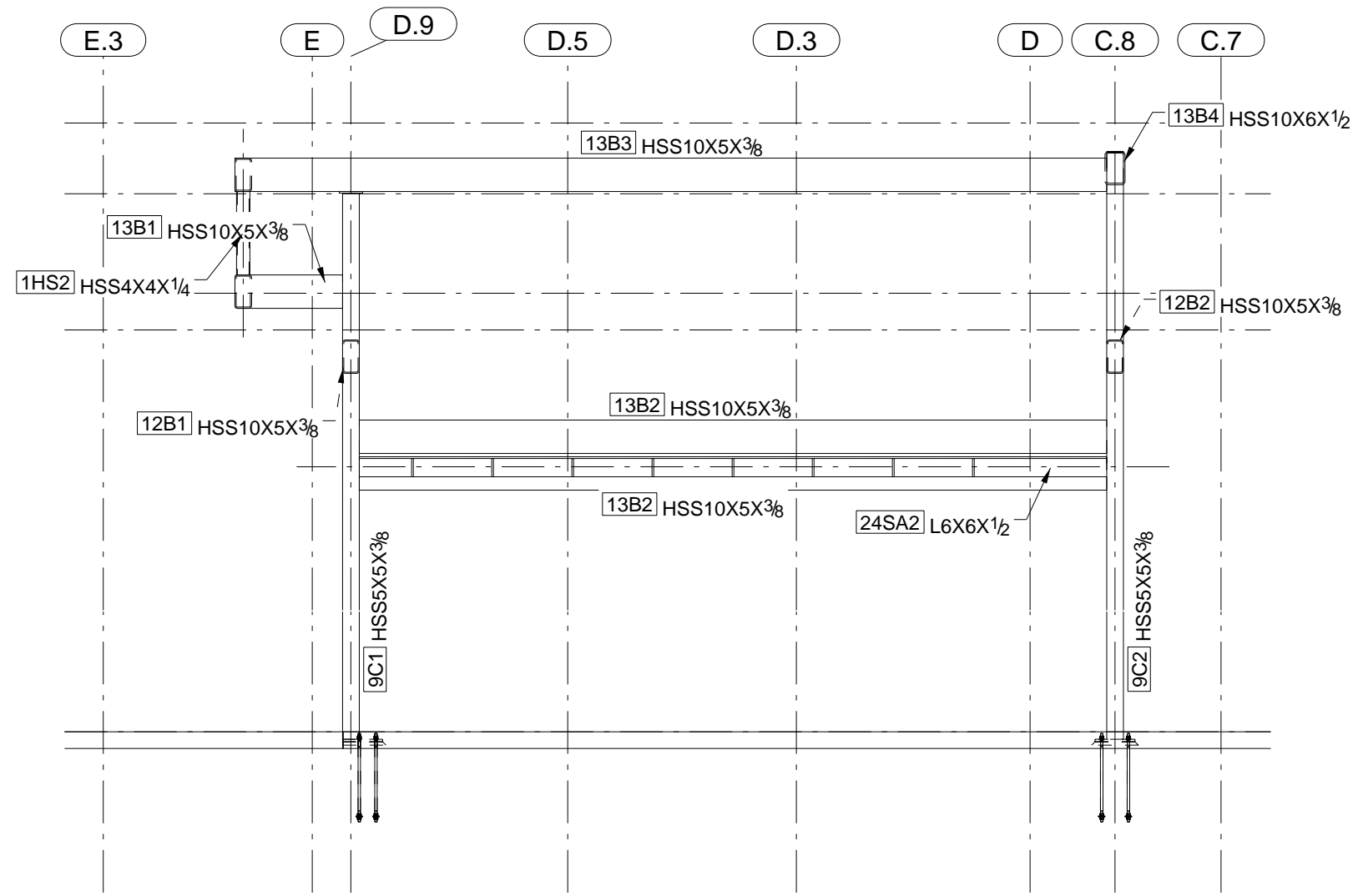
0	ISSUED FOR APPROVAL	03.05.18
REV	DESCRIPTION	DATE

D&R STEEL WORKS
 15385 HWY 90 E.
 CASTROVILLE, TX 78009

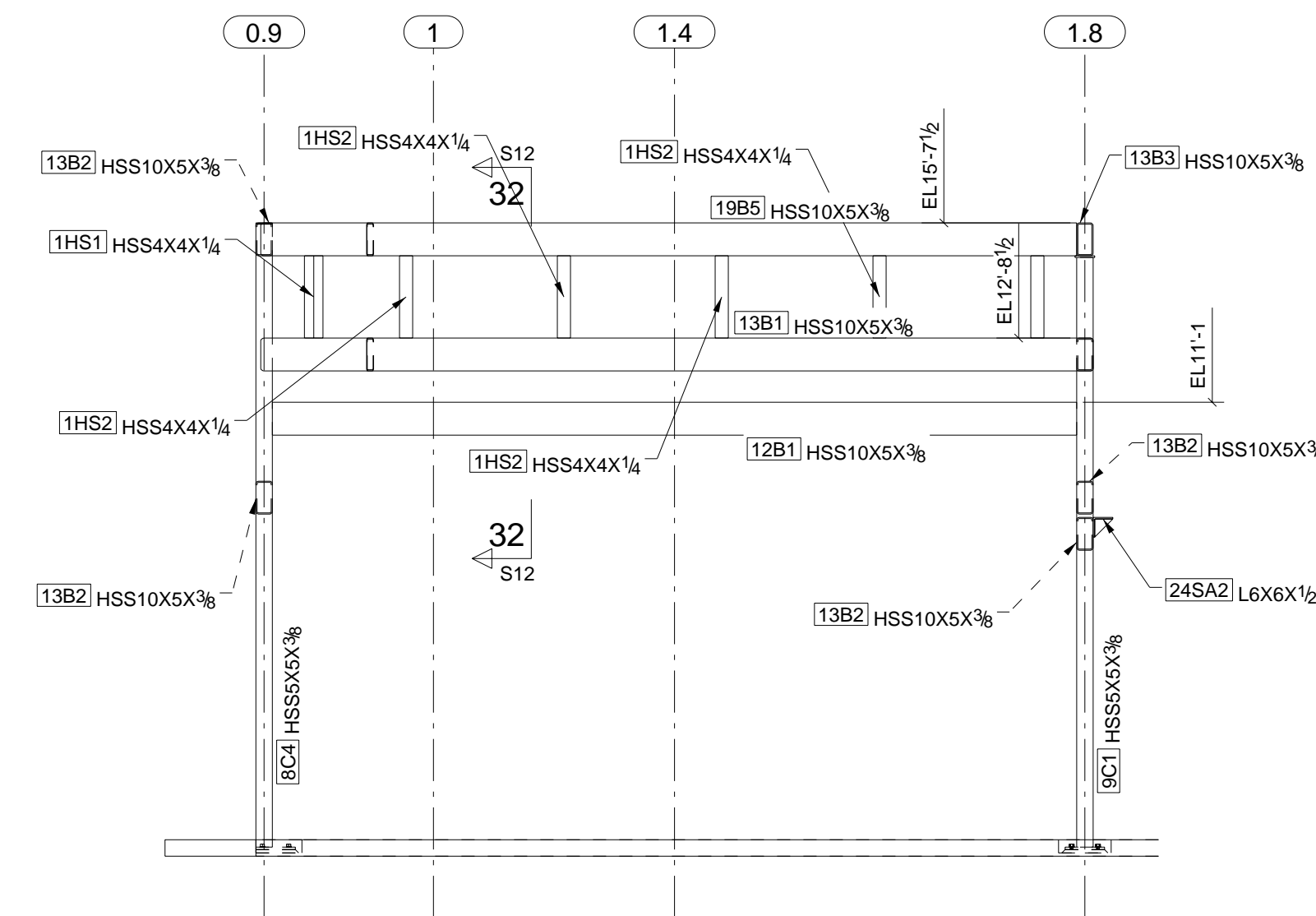
DESCRIPTION	ELEVATION VIEWS		
PROJECT NAME	HONDO MEDICAL CENTER		
DRAWN BY	DW, LLC.	JOB No.	DRG No.
DATE DRAWN	02/26/2018		S8



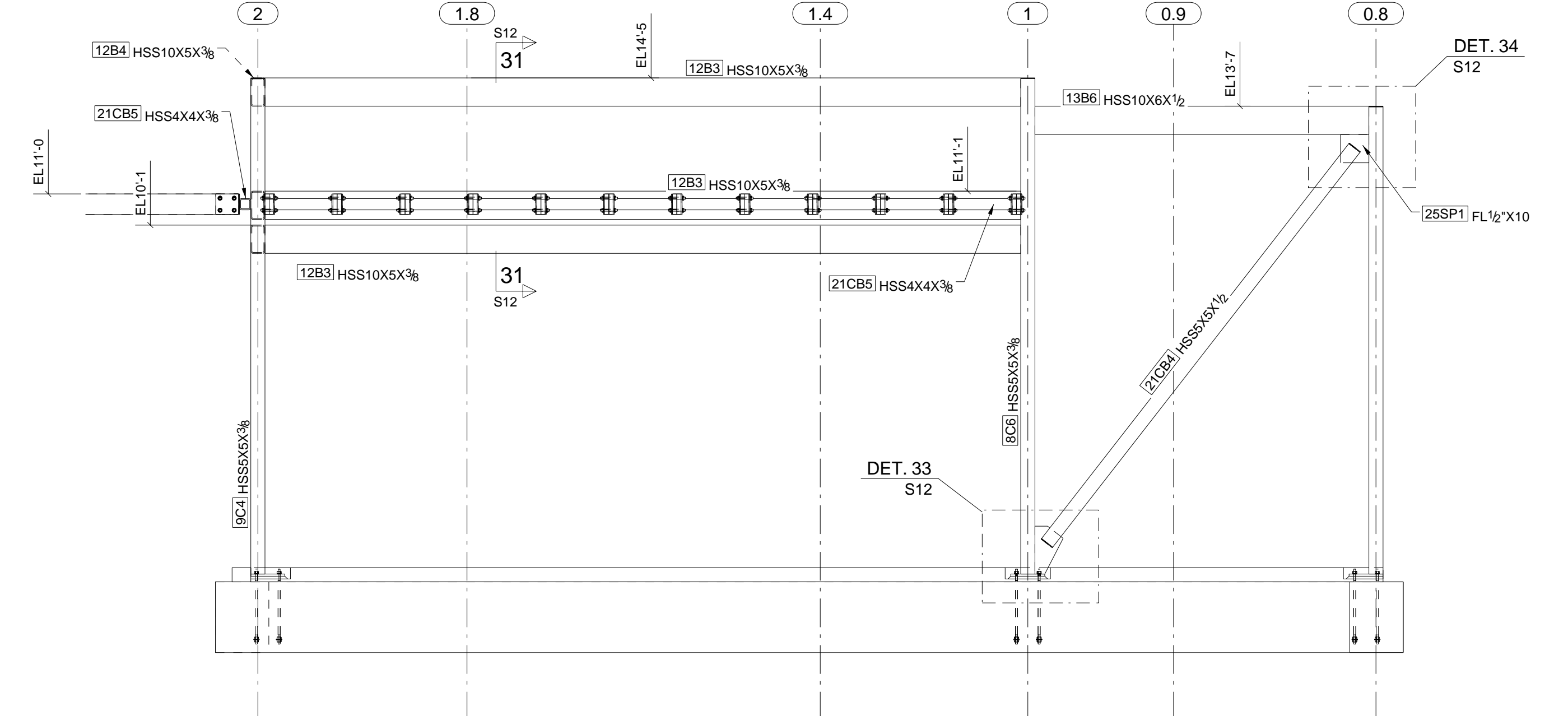
O.O - ELEVATION VIEW GRID LINE 0.8



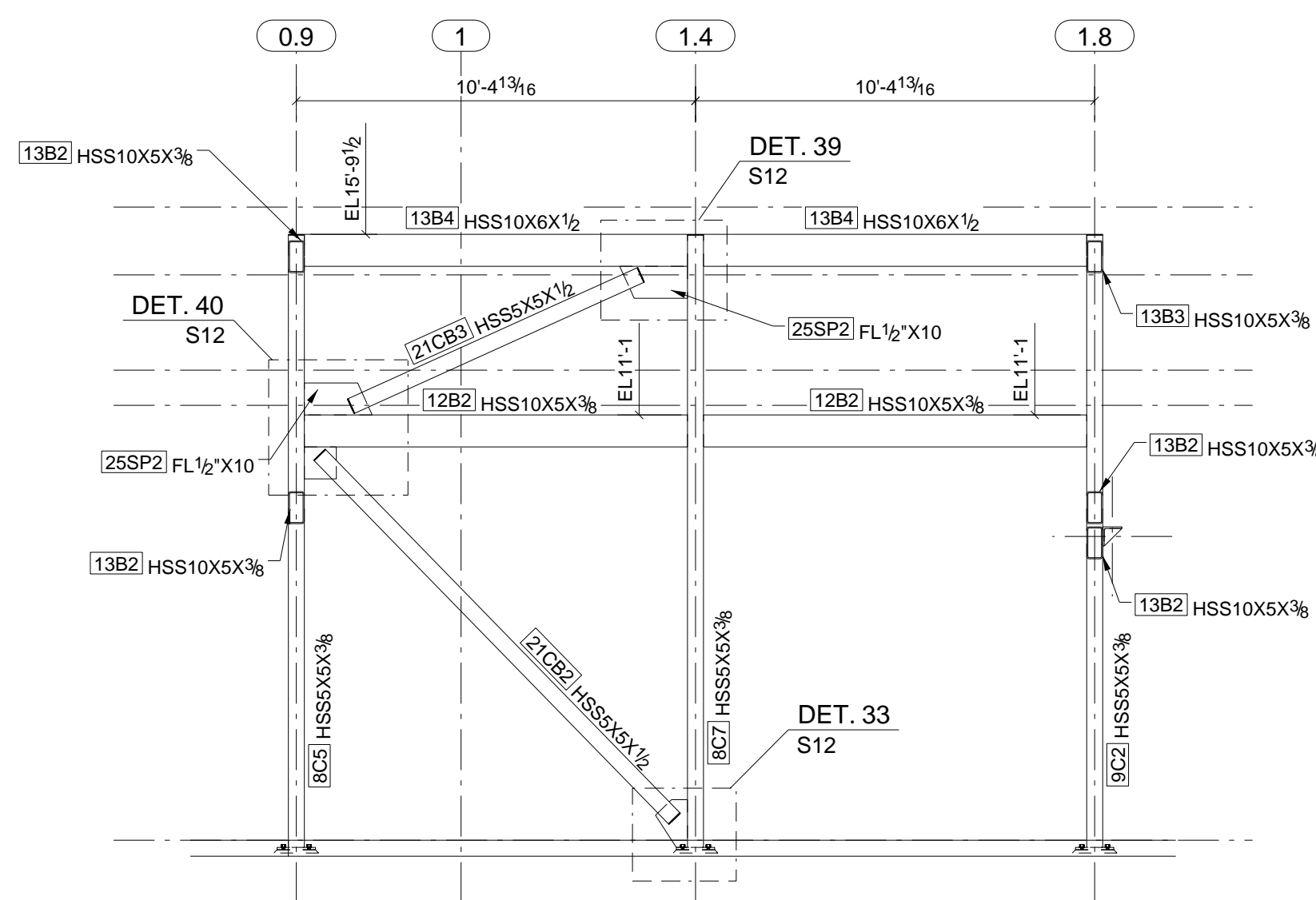
Q.Q - ELEVATION VIEW 1.8



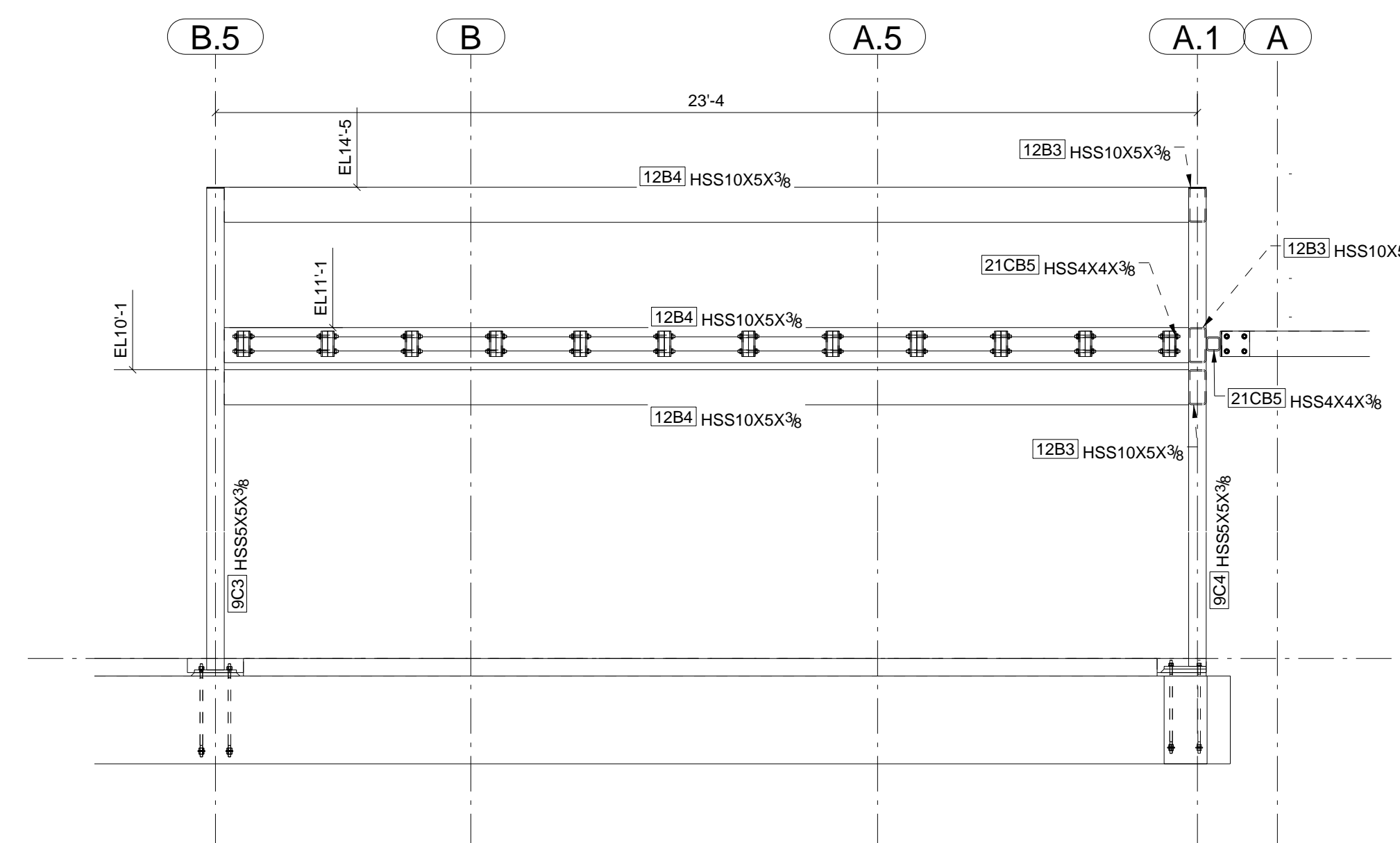
R.R - ELEVATION VIEW D.9



U.U - ELEVATION VIEW GRID LINE A.1



S.S - ELEVATION VIEW GRID LINE C.8

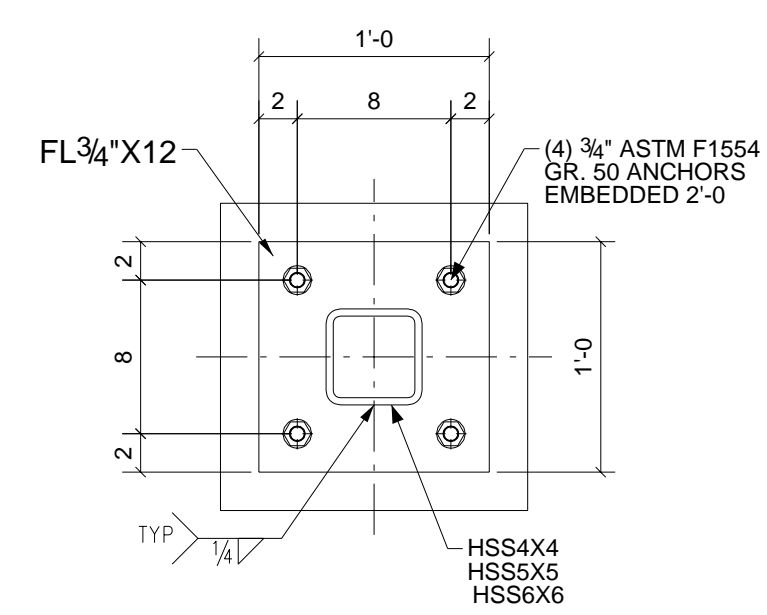


T.T - ELEVATION VIEW GRID LINE 2

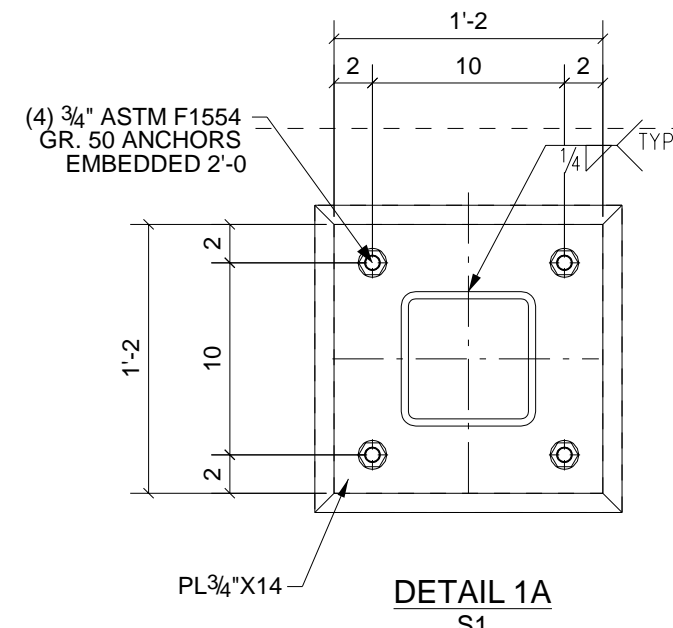
0	ISSUED FOR APPROVAL	03.05.18
REV	DESCRIPTION	DATE

D&R STEEL WORKS
 15385 HWY 90 E
 CASTROVILLE, TX 78009

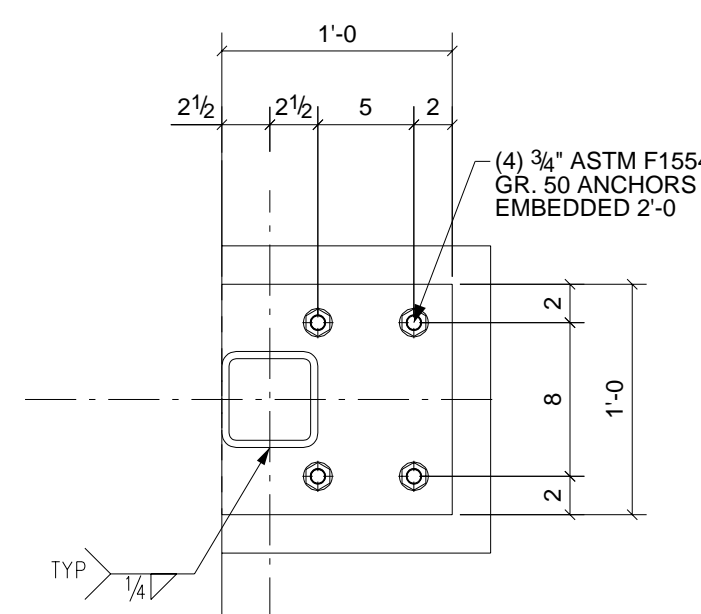
DESCRIPTION	ELEVATION VIEWS		
PROJECT NAME	HONDO MEDICAL CENTER		
DRAWN BY	DW, LLC.	JOB No.	DRG No.
DATE DRAWN	02/26/2018		S9



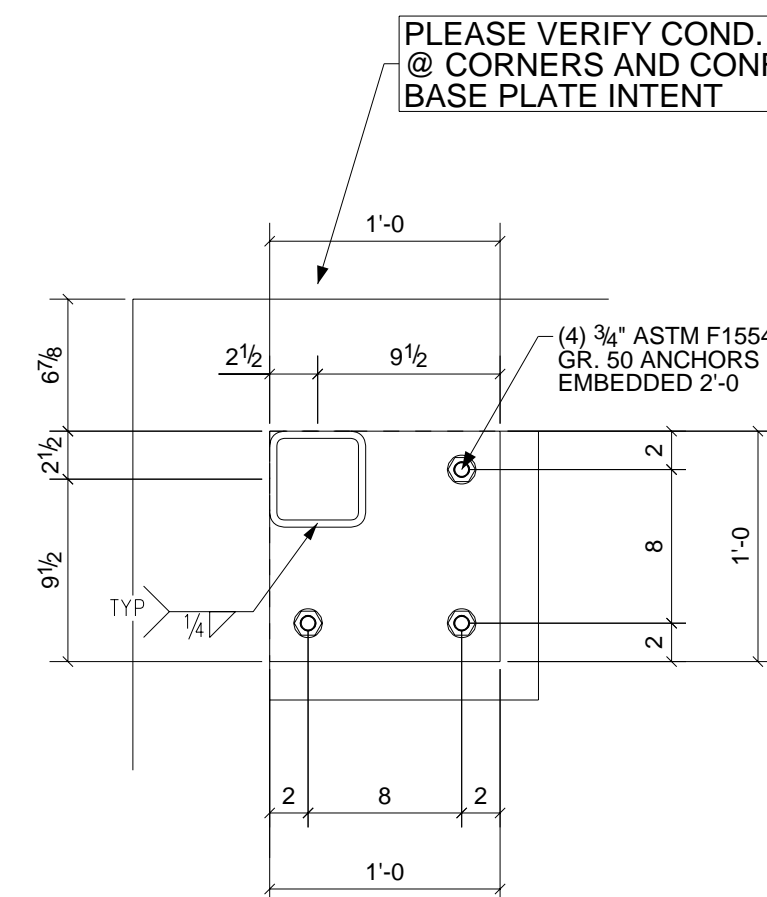
DETAIL 1 (TYPE 1 - TYP. BASEPLATE)
REF: 2/S500



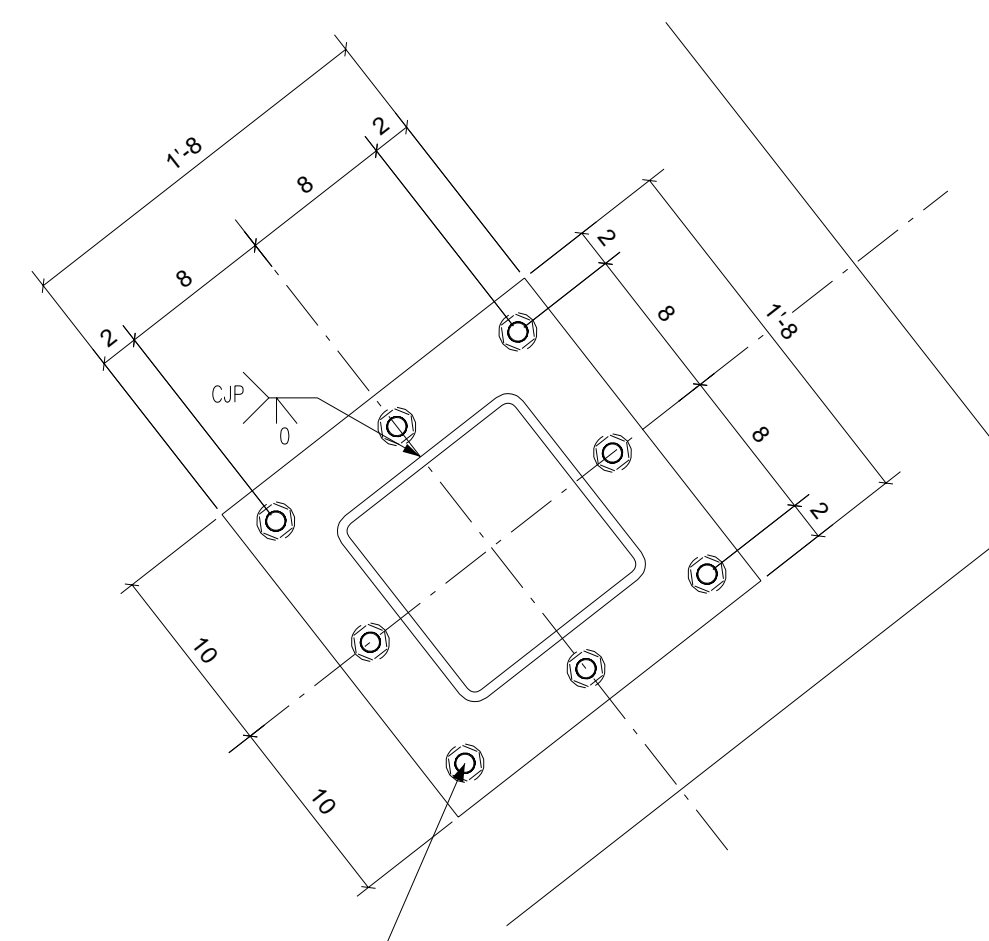
TYPE 1 BASE PLATE WILL NOT WORK FOR HSS7X7. PLEASE VERIFY AND ADVISE.



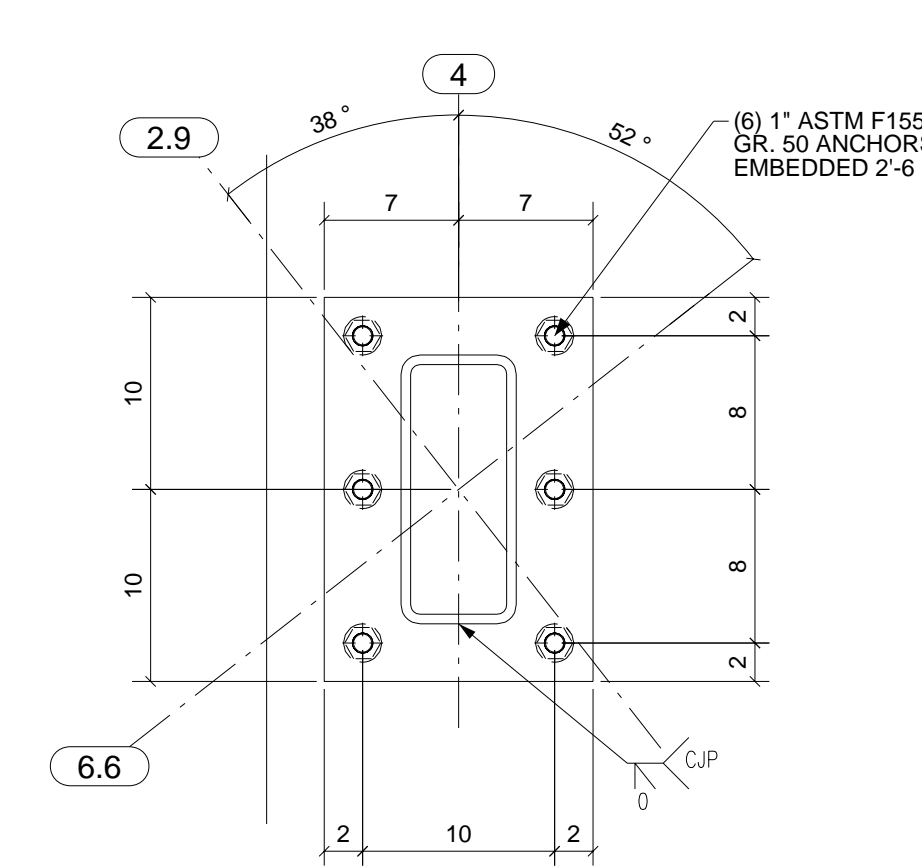
DETAIL 2 (TYPE 2 - EDGE BASEPLATE)
REF: 2/S500



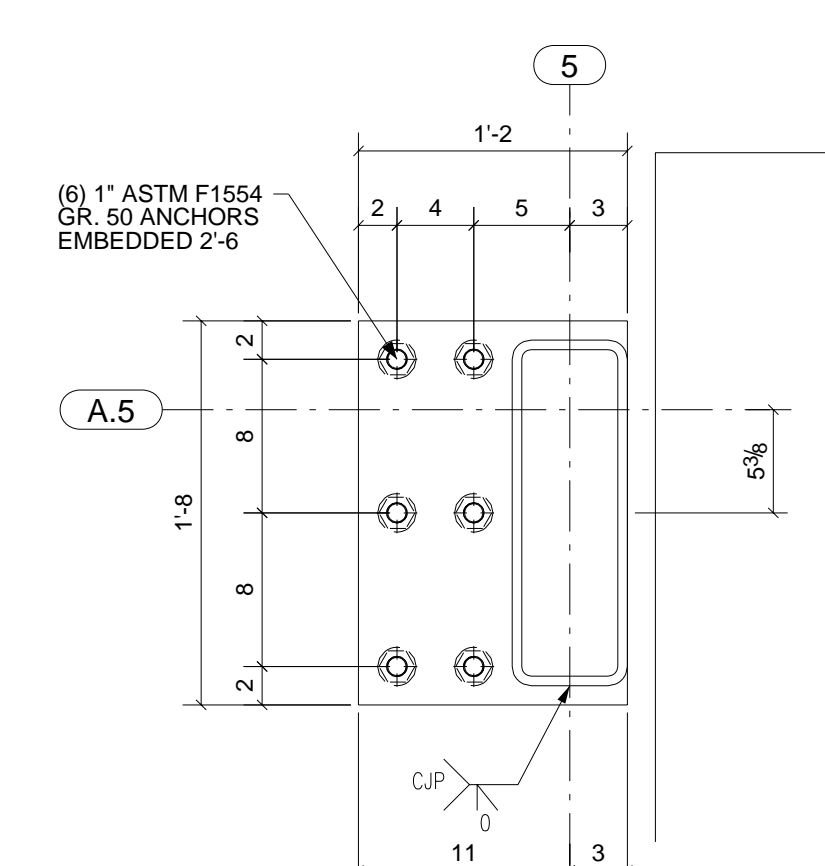
DETAIL 3 (TYPE 3 - CORNER BASEPLATE)
REF: NONE



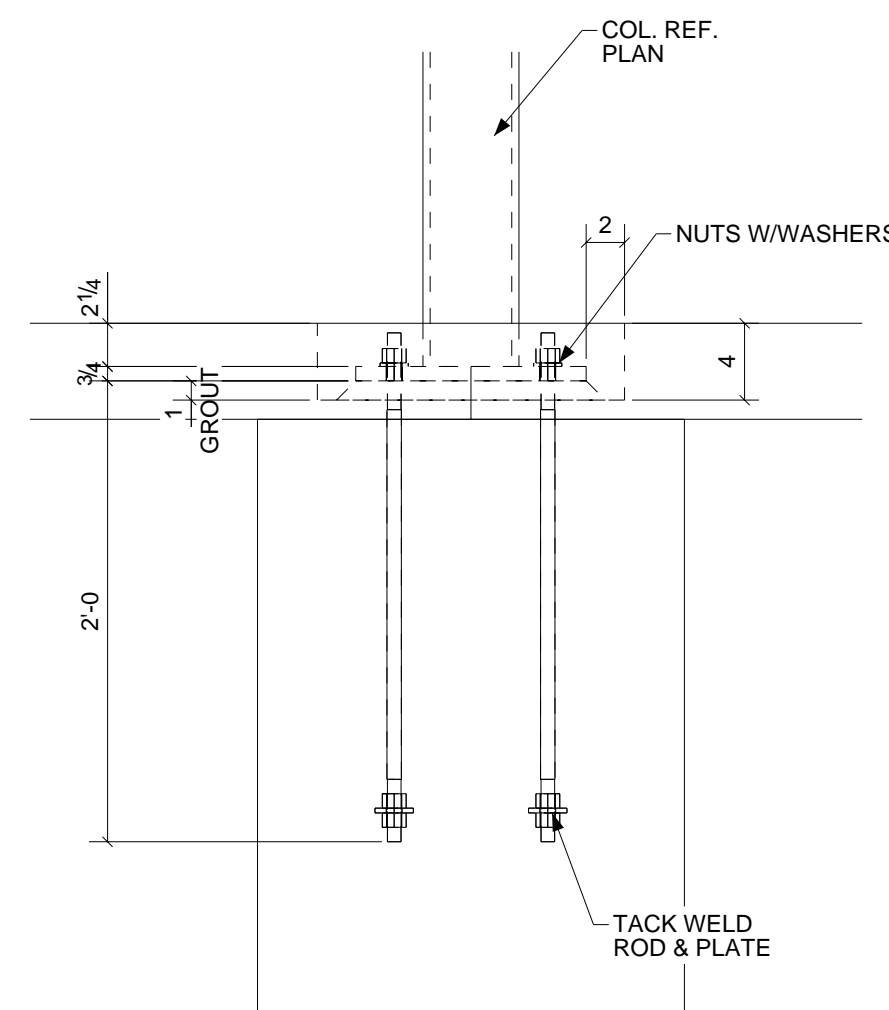
DETAIL 4 (TYPE 4 - HSS12X12 BASEPLATE)
REF: 3/S500



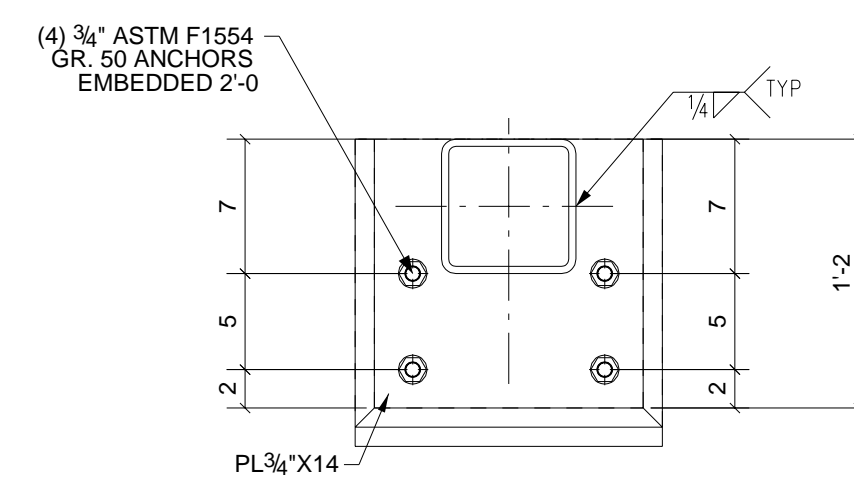
DETAIL 5 (TYPE 5 - HSS14X6 BASEPLATE)
REF: NONE



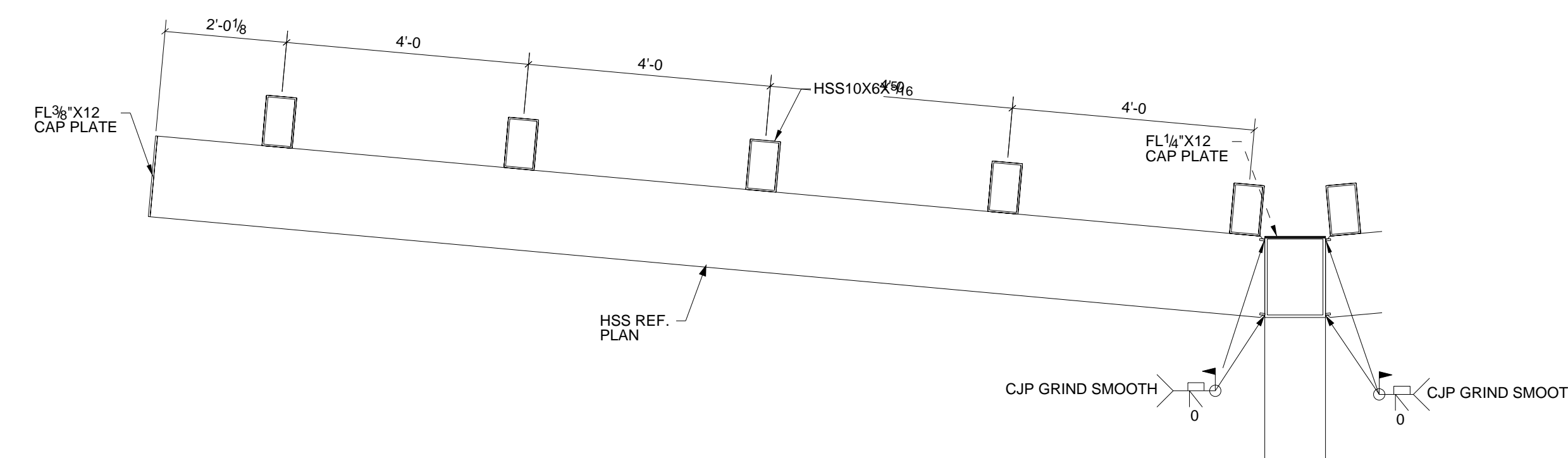
DETAIL 6 (TYPE 6 - HSS18X6 BASEPLATE)
REF: NONE



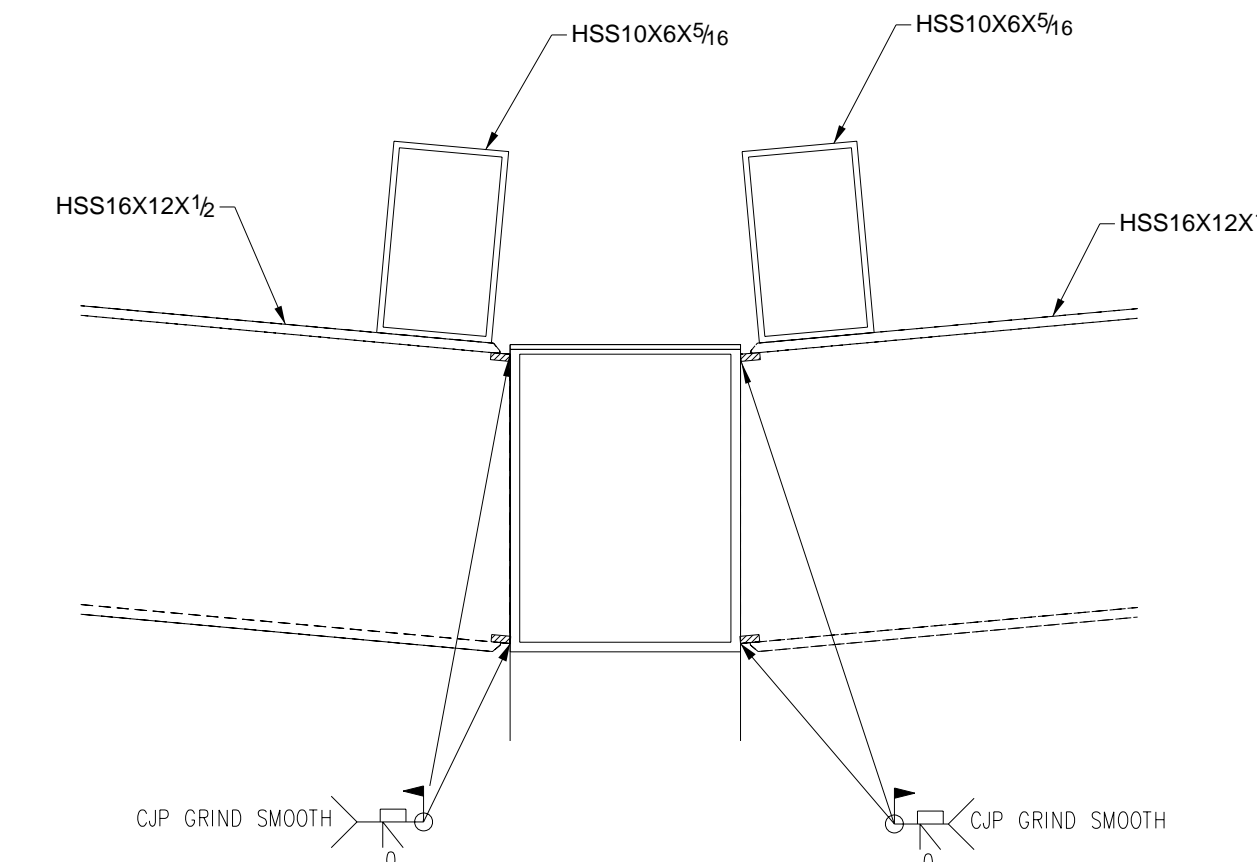
DETAIL 1A - TYPICAL COLUMN @ BASE PLATE
REF: 1/S500



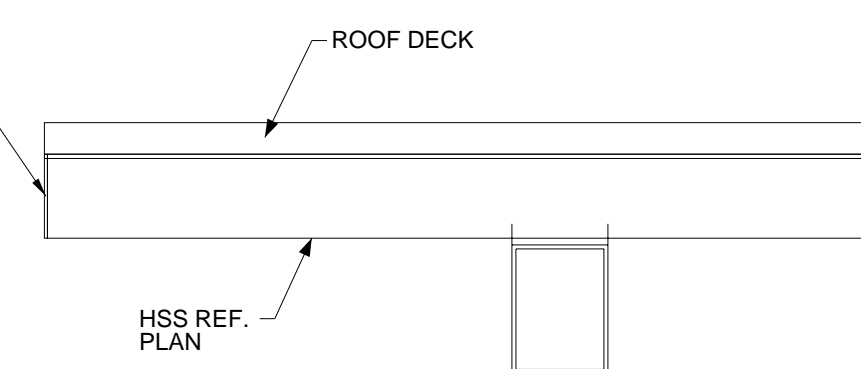
DETAIL 2A (TYPE 2 - EDGE BASEPLATE)
S1



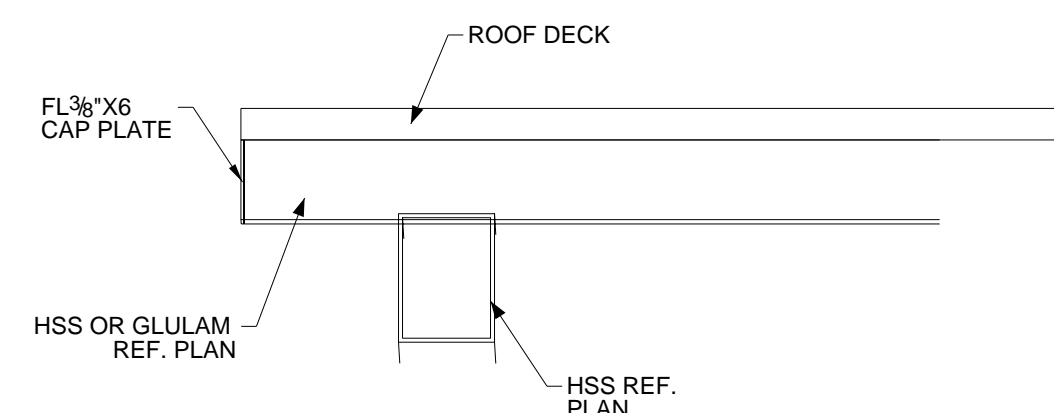
9 - SECTION VIEW
REF: 3/S406



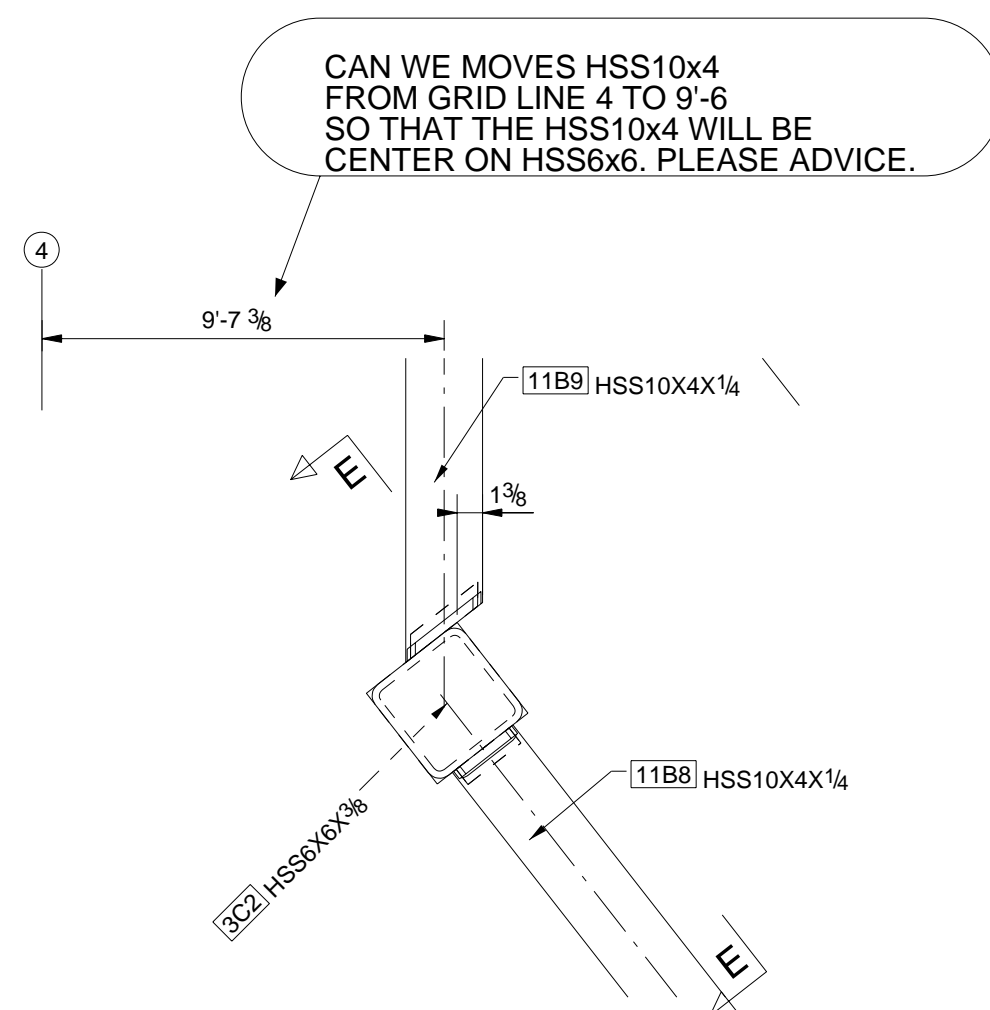
10 - 10 - SECTION VIEW
REF: NONE



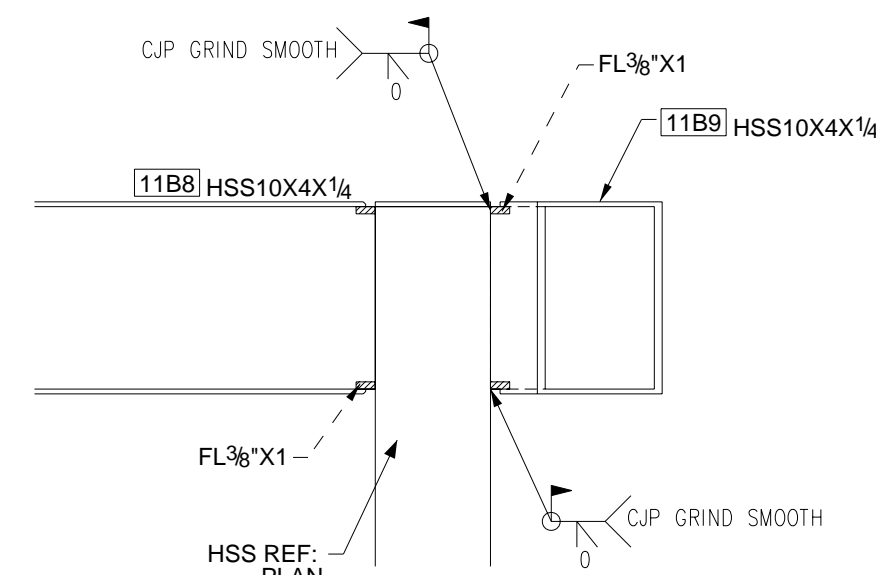
7 - SECTION VIEW
REF: 2/S406



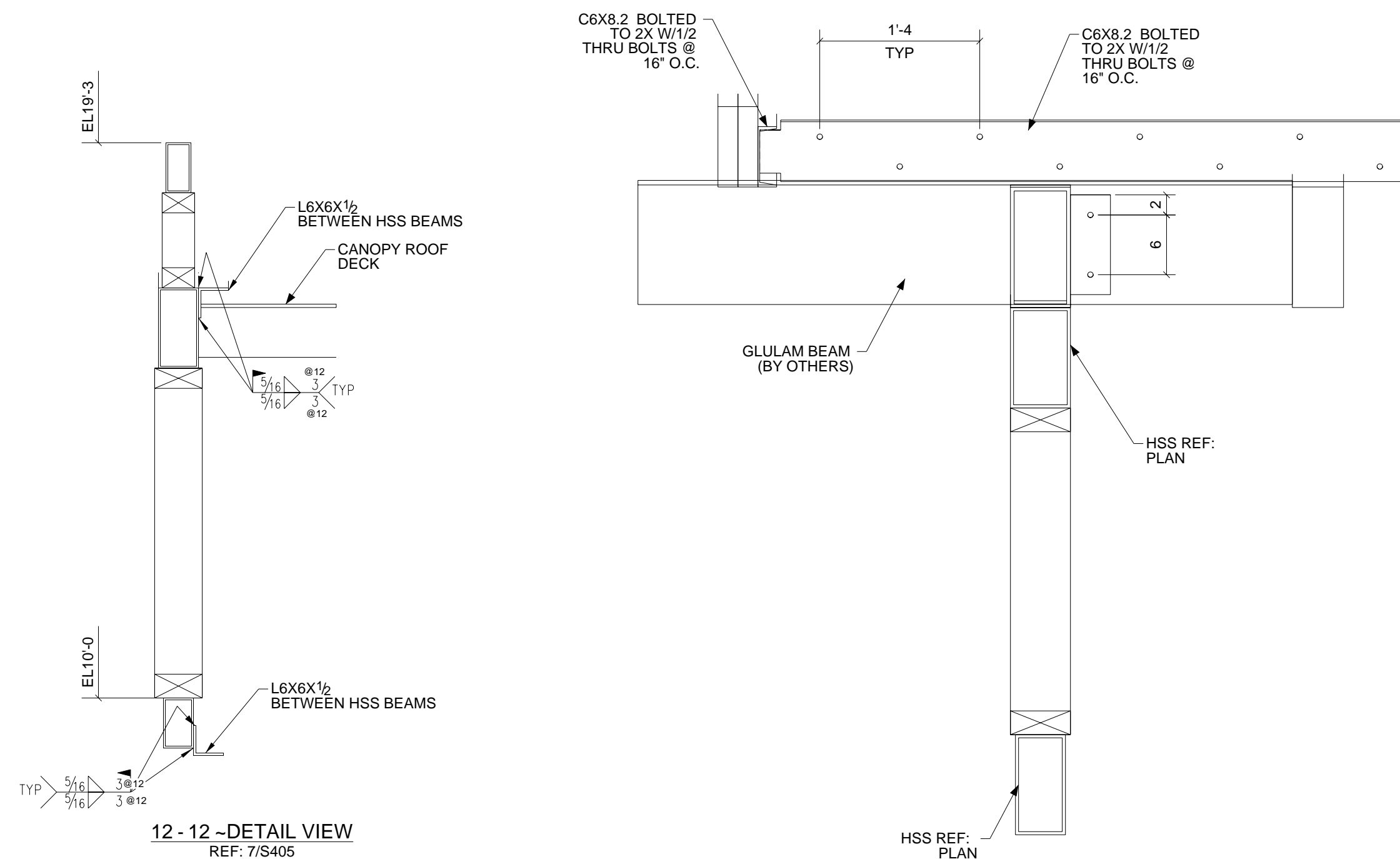
8 - SECTION VIEW
REF: 4/S406



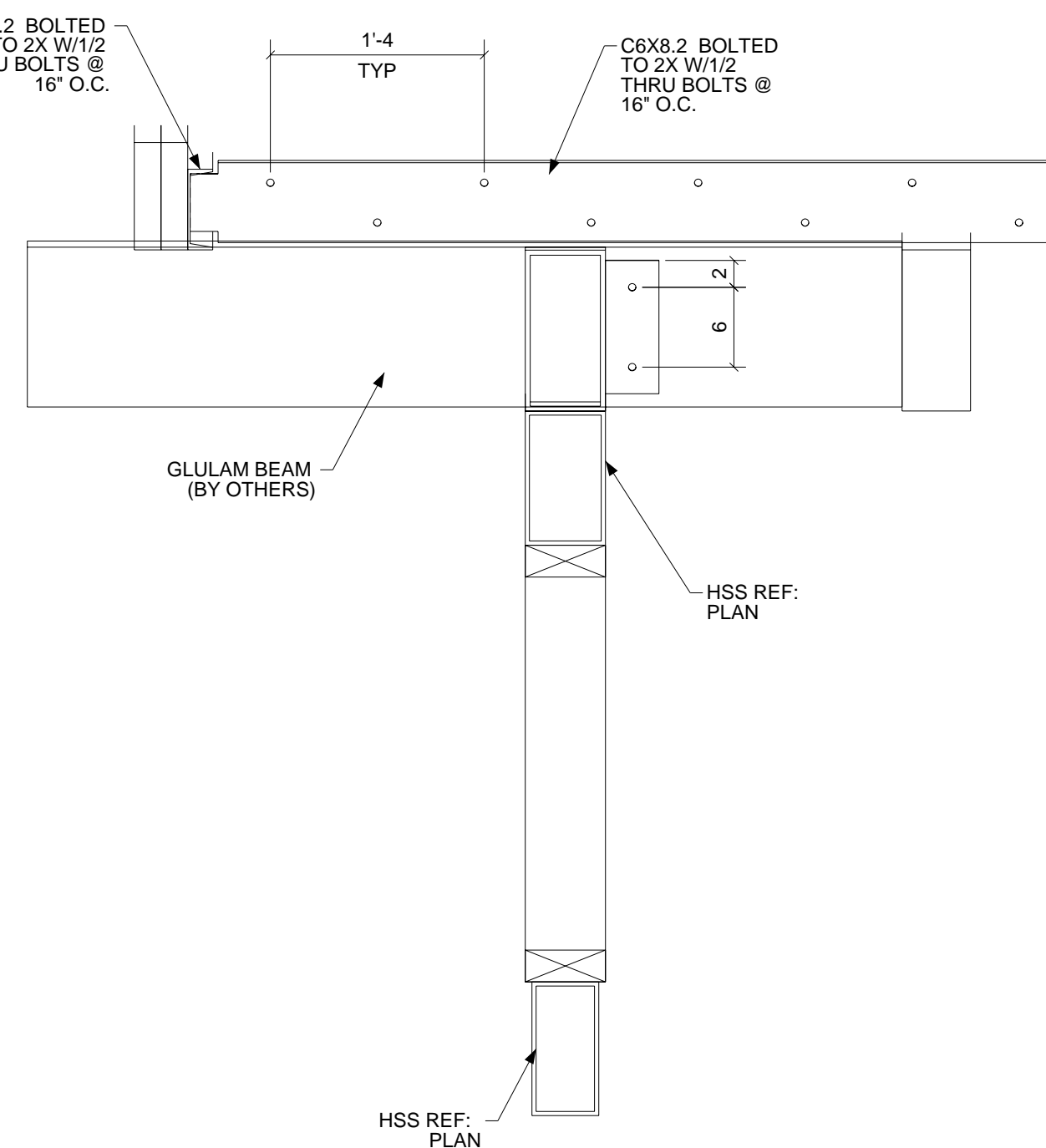
DETAIL 11
REF: NONE



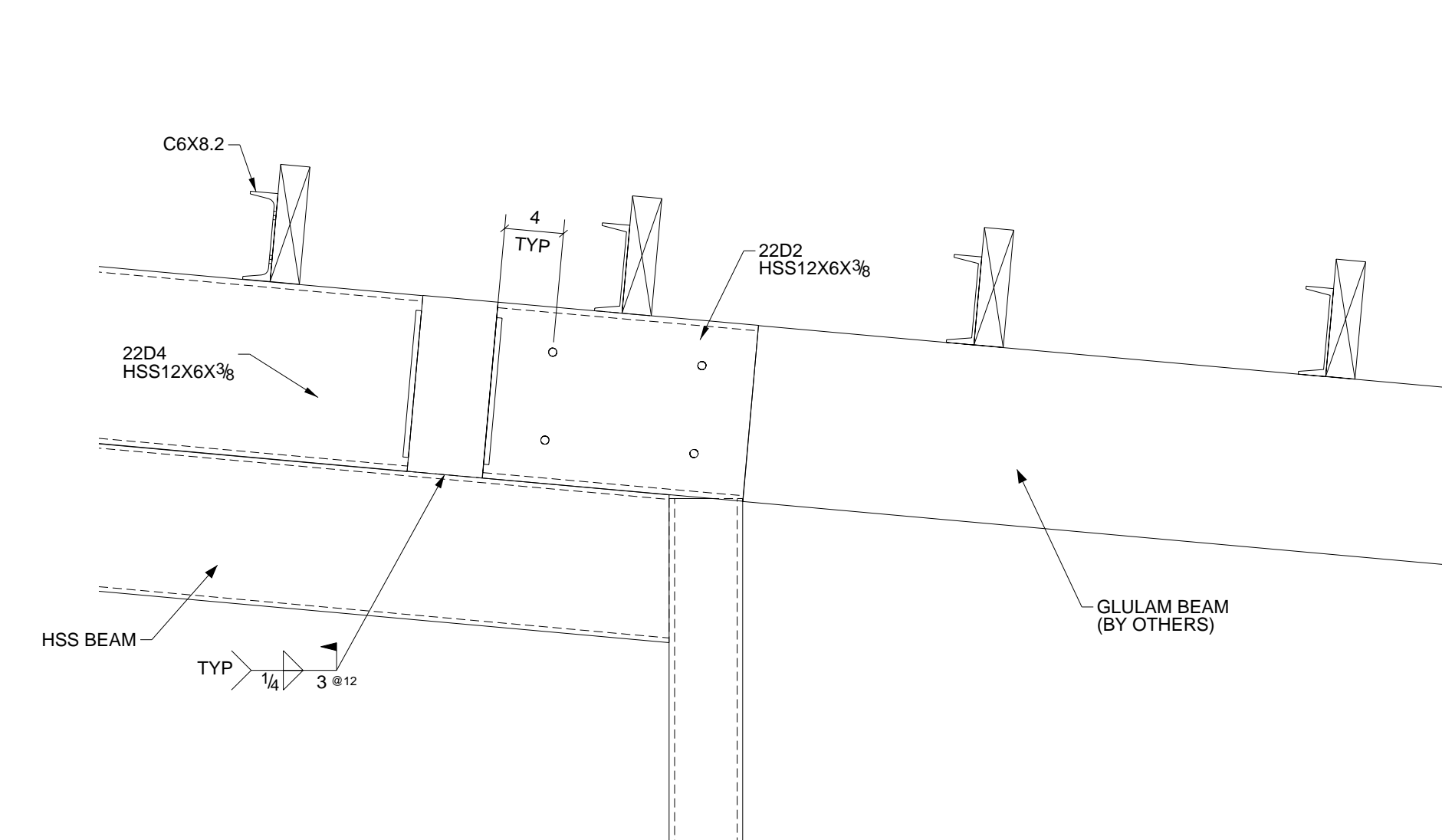
E - E - SECTION VIEW
REF: NONE



12 - 12 - DETAIL VIEW
REF: 7/S405



13 - 13 - DETAIL VIEW
REF: 1/S405

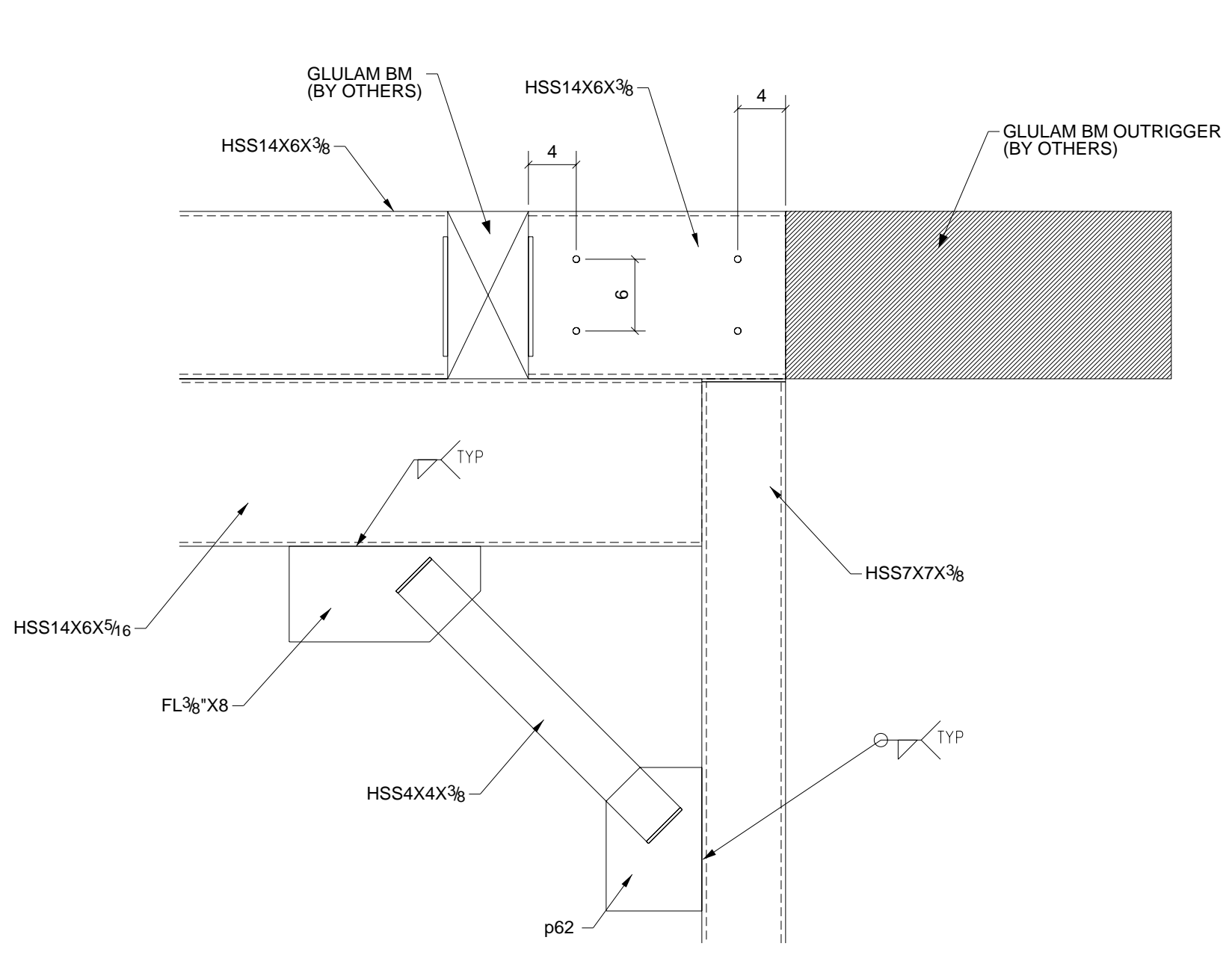


14 - 14 - DETAIL VIEW
REF: 12/S404

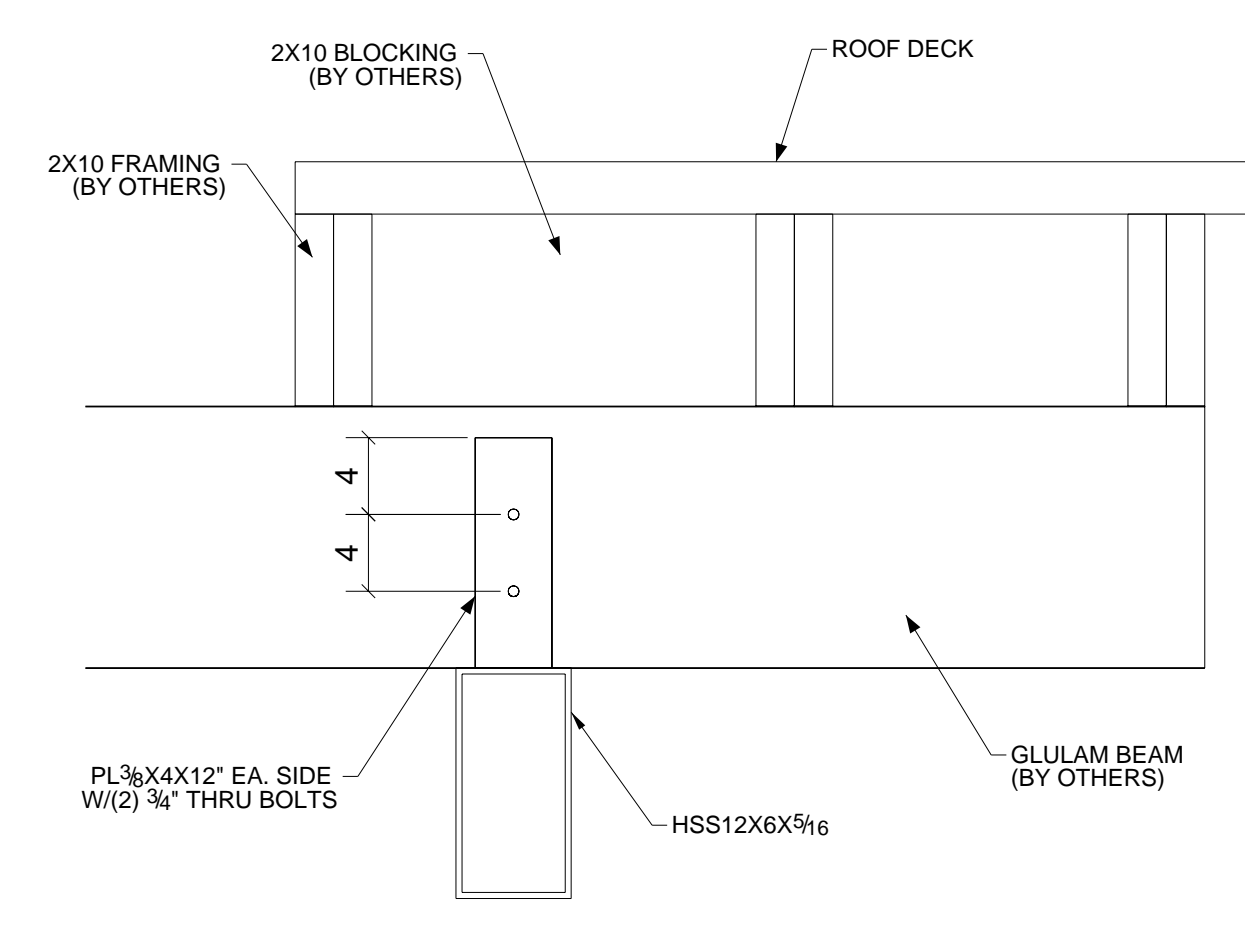
0	ISSUED FOR APPROVAL	03.05.18
REV	DESCRIPTION	DATE

D&R STEEL WORKS
15385 HWY 90 E.
CASTROVILLE, TX 78009

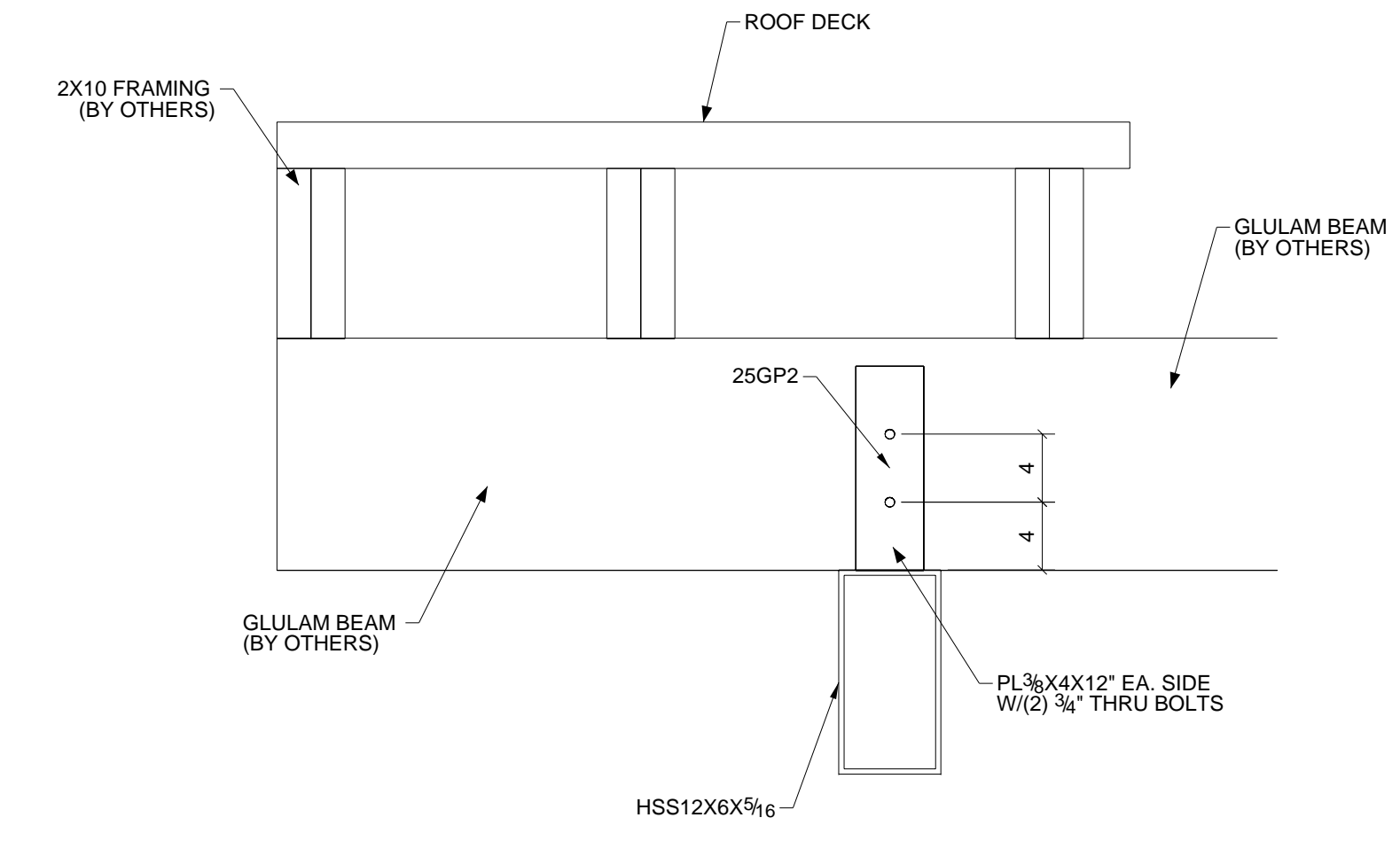
DESCRIPTION	DETAILS & SECTION VIEW	
PROJECT NAME	HONDO MEDICAL CENTER	
DRAWN BY	DW, LLC.	JOB No.
DATE DRAWN	02/26/2018	DRG No.



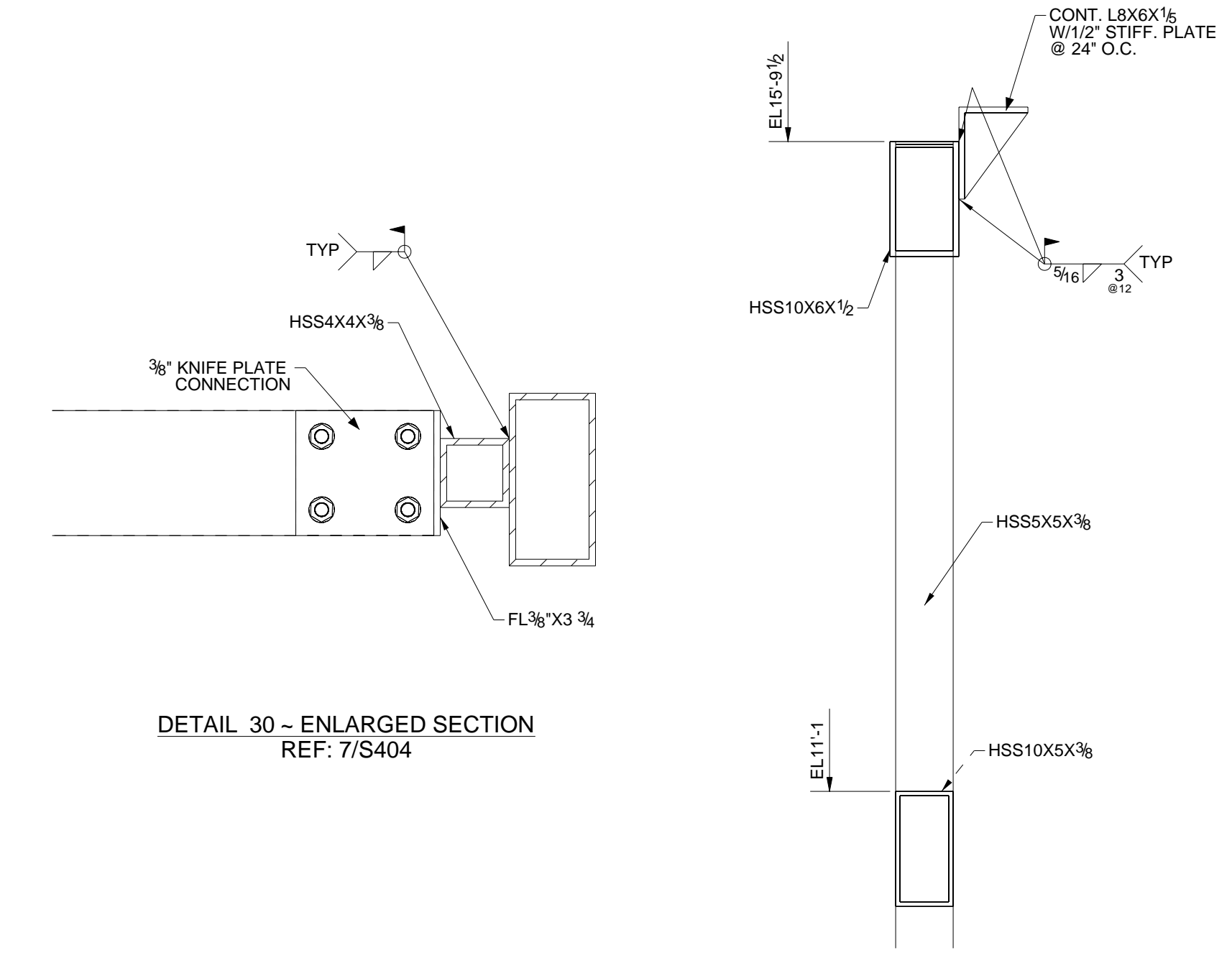
DETAIL 26 - ENLARGED SECTION
REF: 1/S405



DETAIL 27 - ENLARGED SECTION
REF: 10/S404

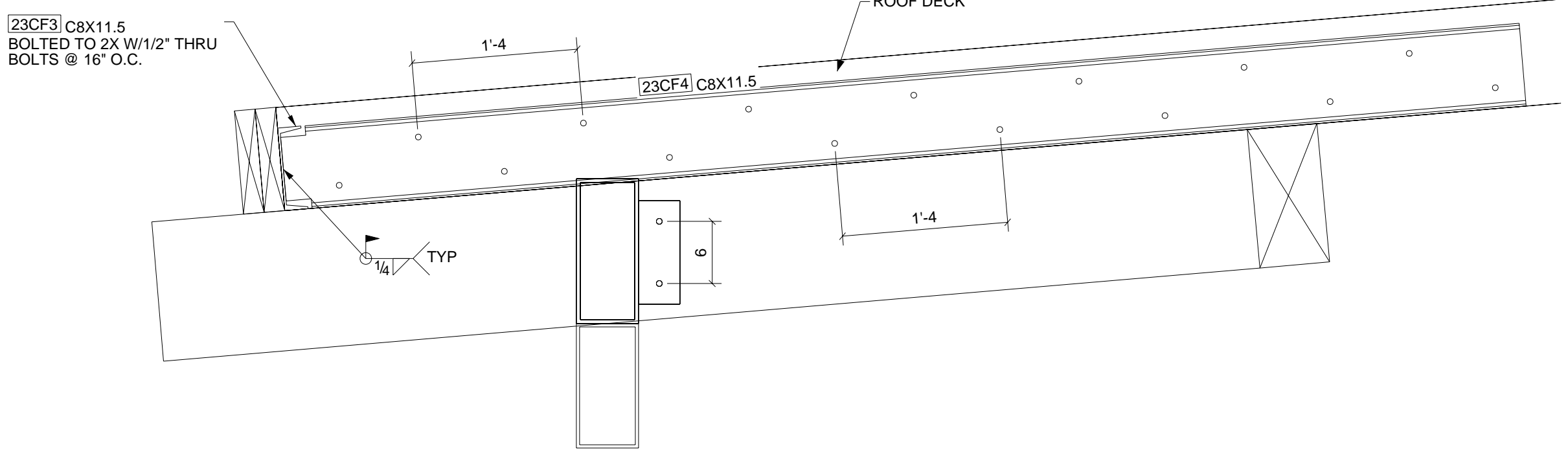


DETAIL 28 - ENLARGED SECTION
REF: 10/S404



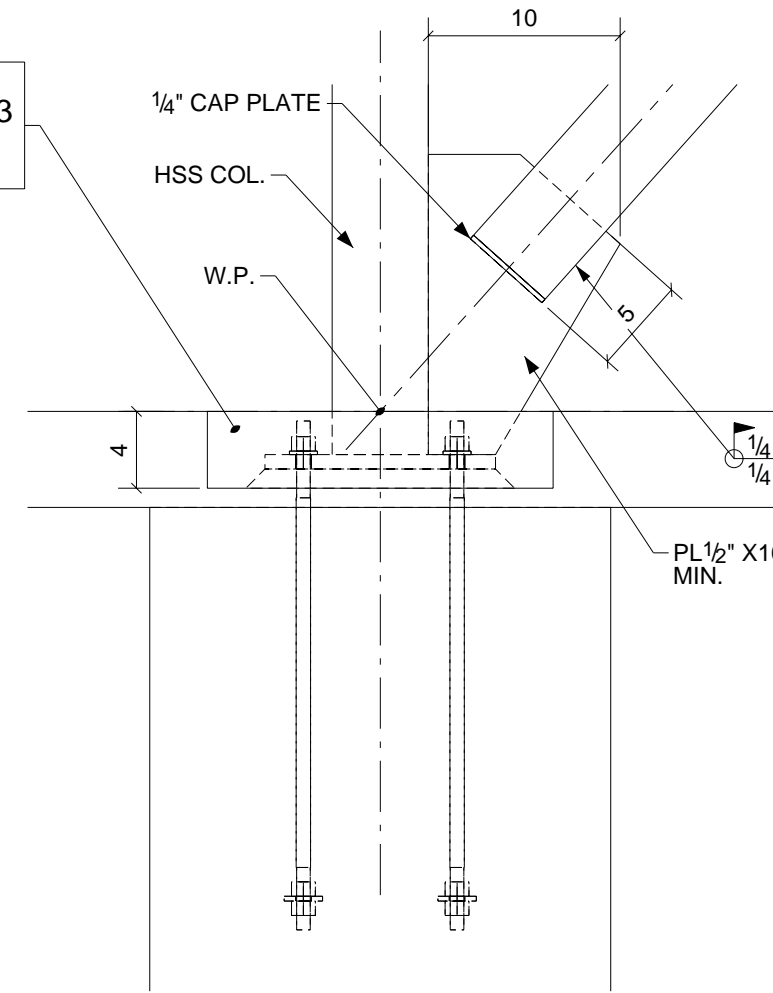
DETAIL 30 - ENLARGED SECTION
REF: 7/S404

DETAIL 31 - ENLARGED SECTION
REF: 6/S404

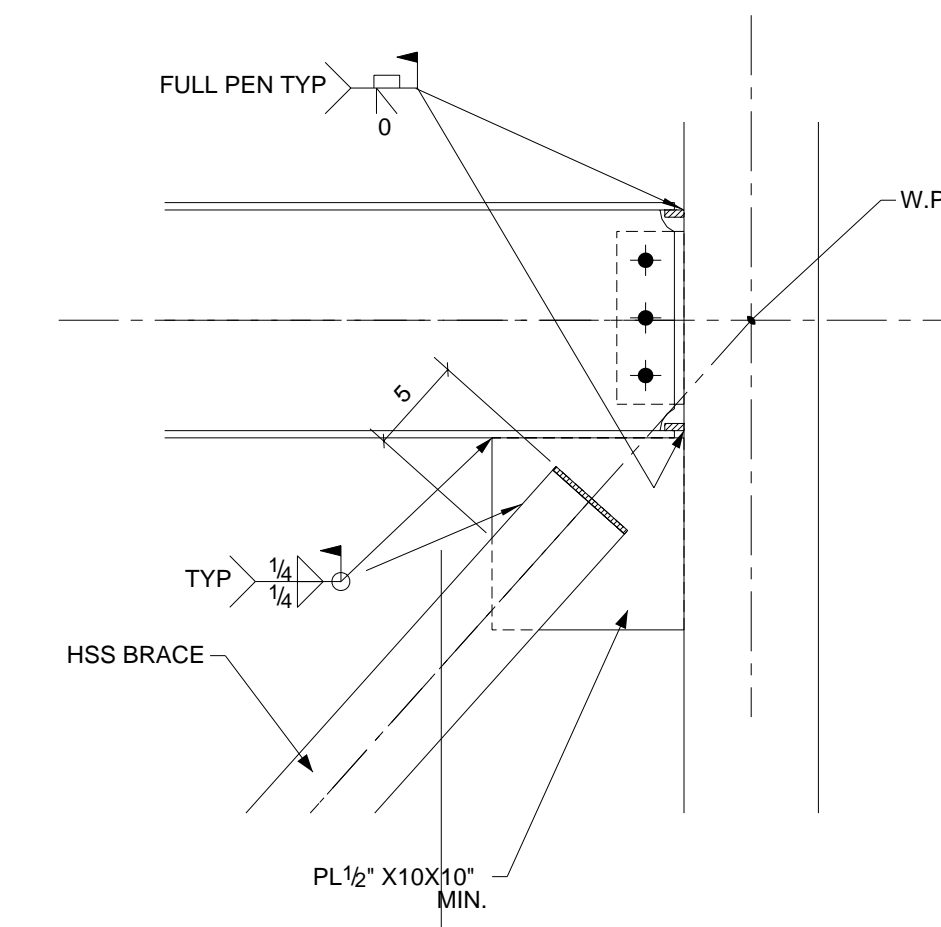


DETAIL 29 - ENLARGED SECTION
REF: 9/S404

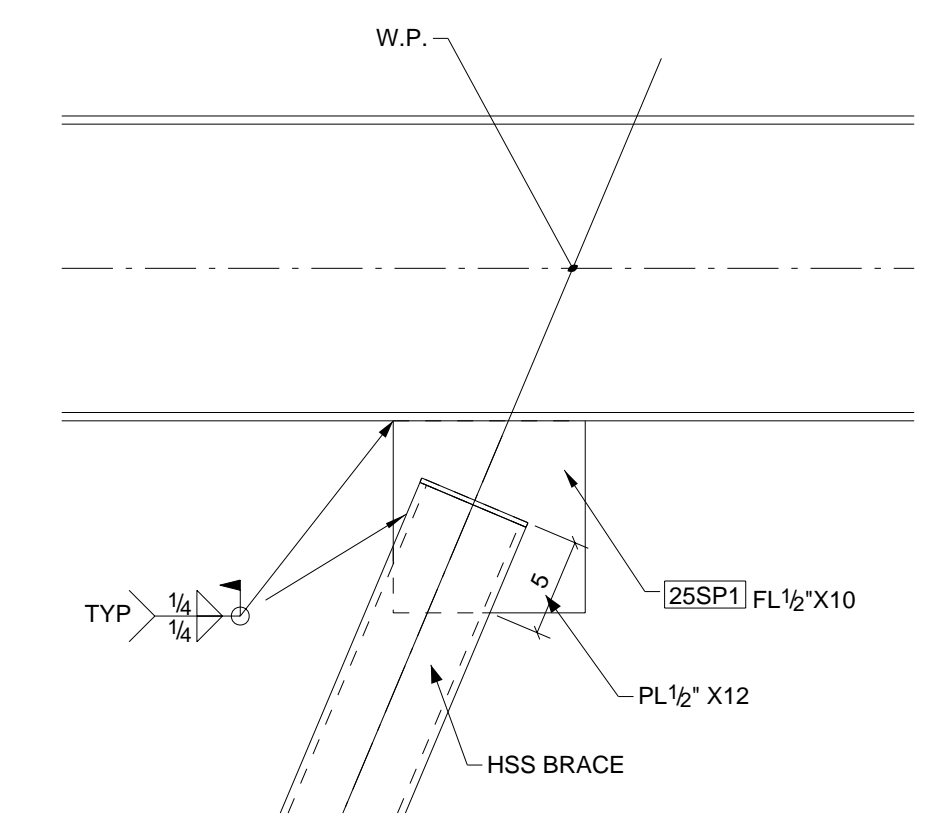
PLEASE NOTE THAT
BASE PLATE LAYOUT PER 1/S503
DOES NOT MATCH TYP 1/S500
PLEASE ADVISE.



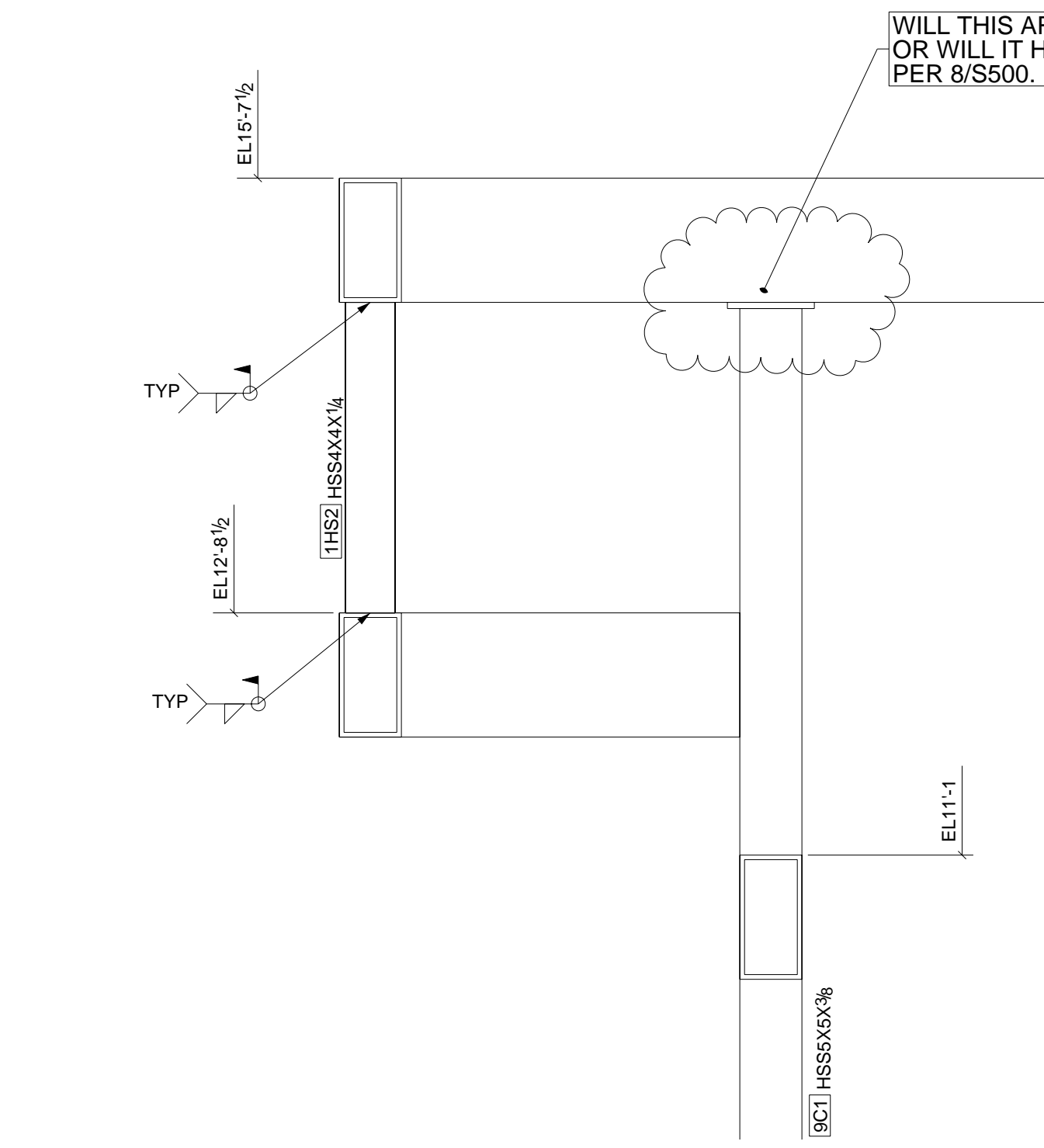
DETAIL 33 - ENLARGED SECTION
REF: 1/S503



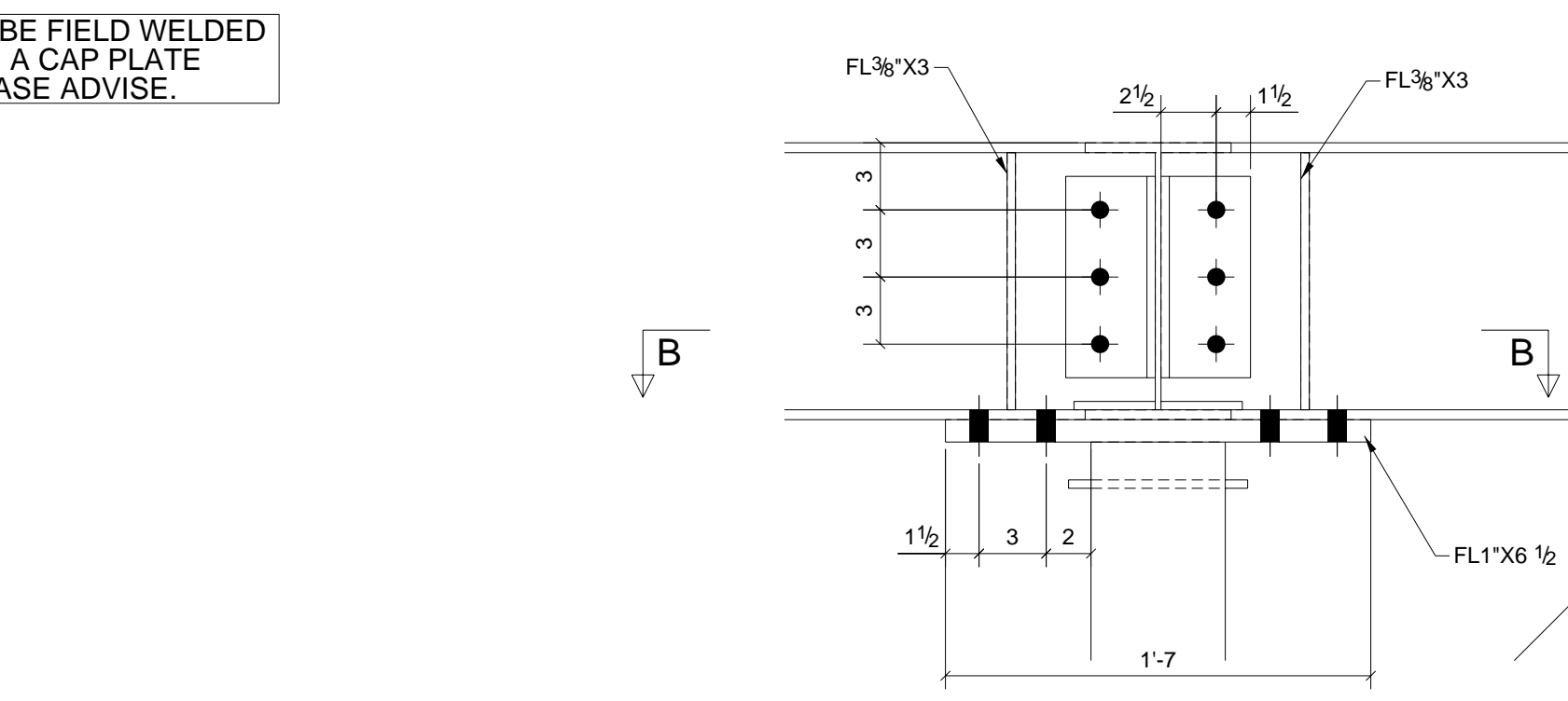
DETAIL 34 - ENLARGED SECTION
REF: 2/S503



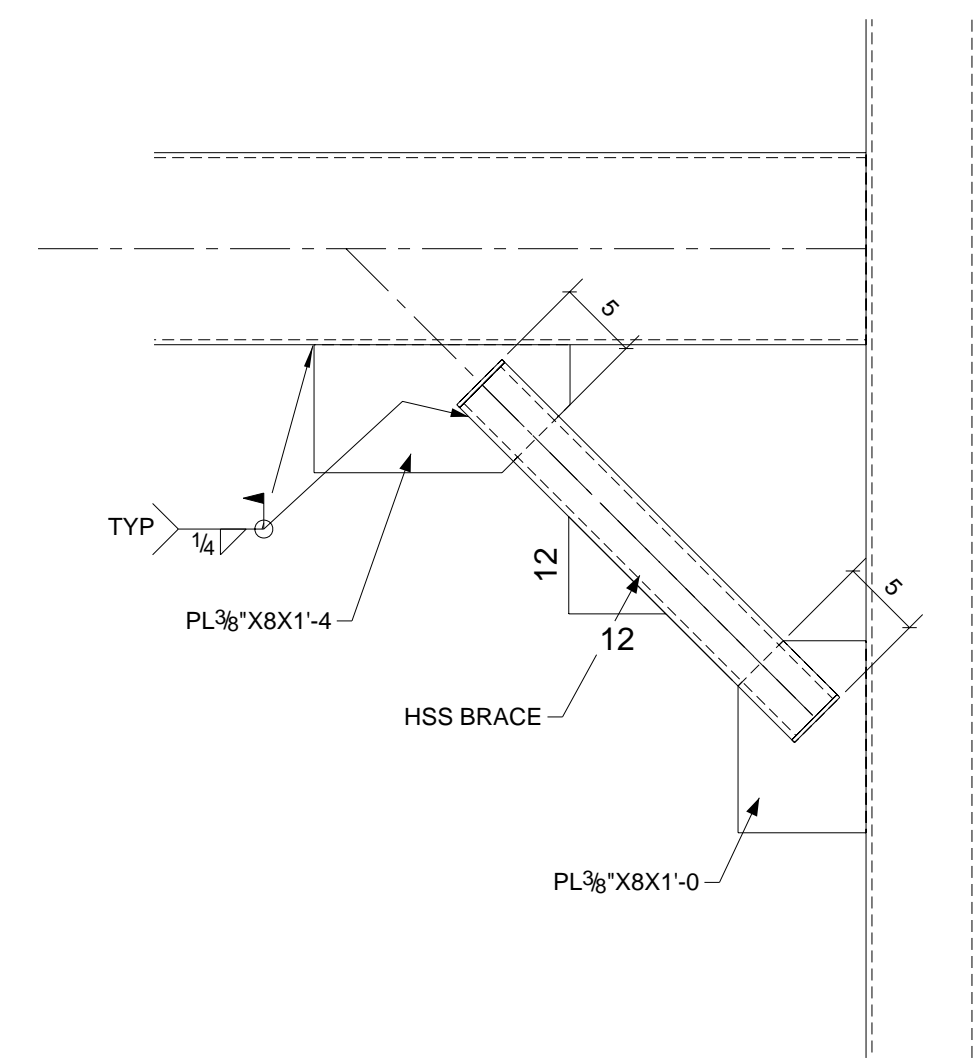
DETAIL 38 - ENLARGED SECTION
REF: 4/S503



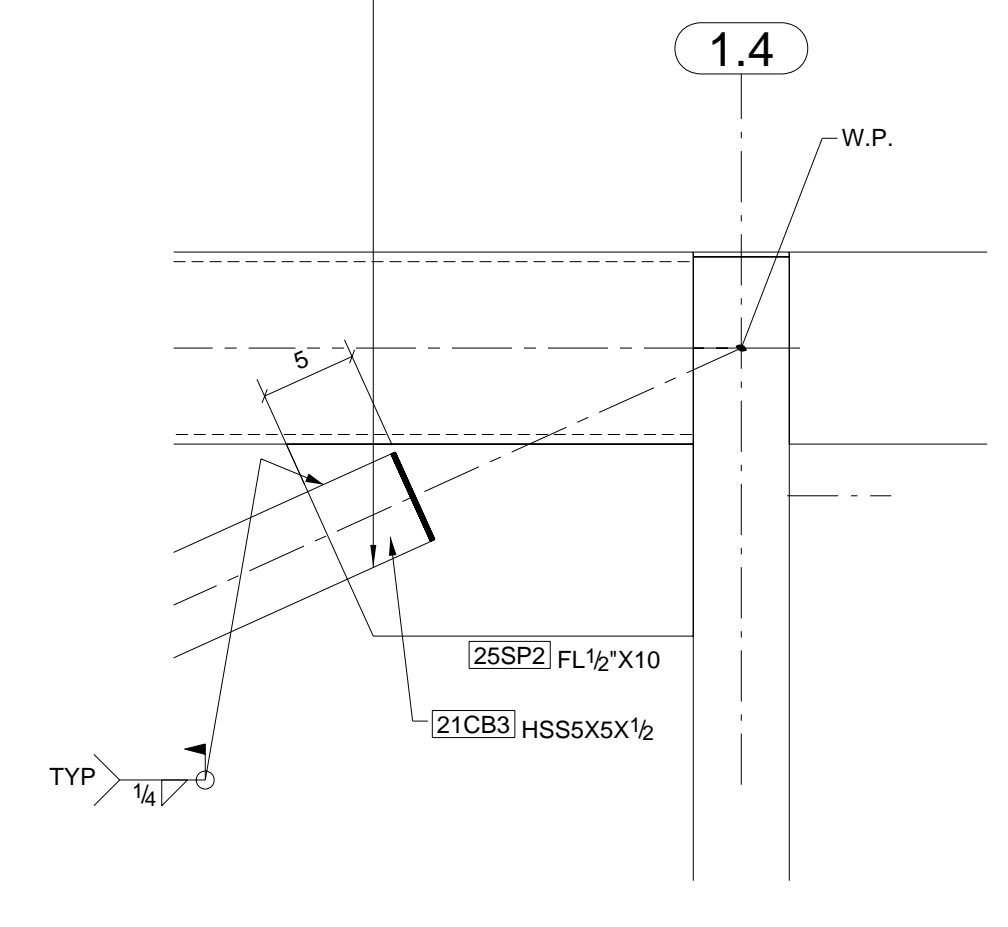
DETAIL 32 - ENLARGED SECTION
REF: 1/S406



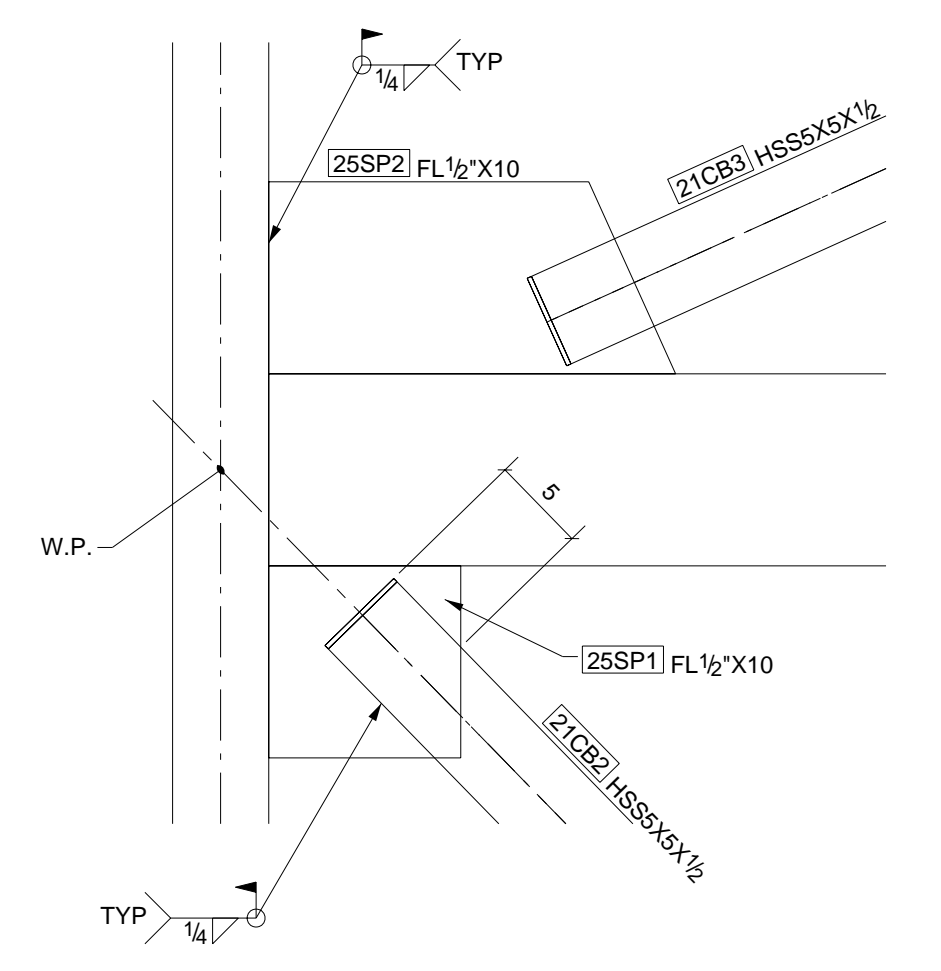
DETAIL 36 - TYP CAP PLATE - BOLTED CONN DETAIL
REF: 8/S500



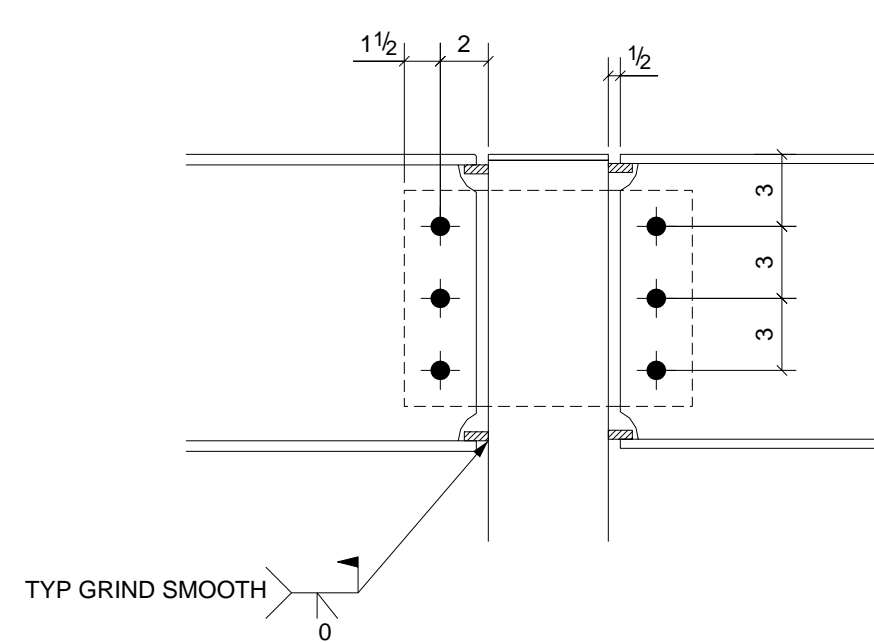
DETAIL 36 - TYP KNEE BRACE CONN DETAIL
REF: 9/S500



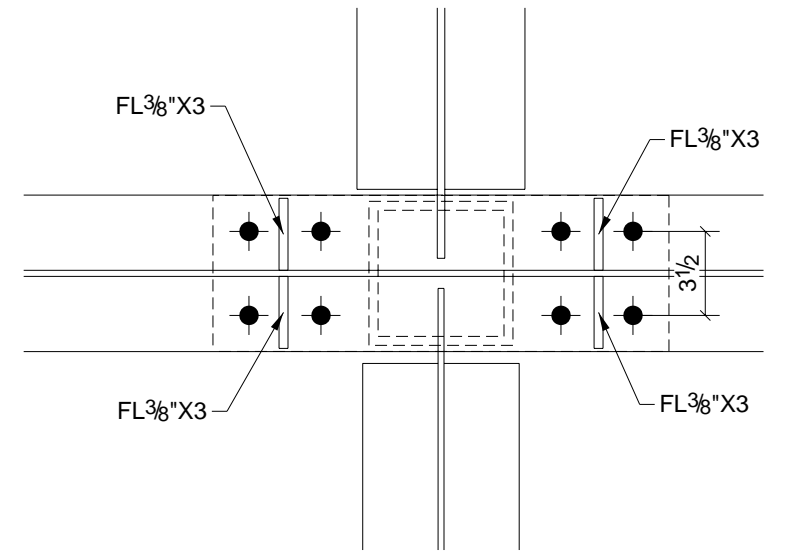
DETAIL 39 - ENLARGED SECTION
REF: 3/S303



DETAIL 40 - ENLARGED SECTION
REF: 1/S405



DETAIL 35 - ENLARGED SECTION
REF: 5/S500

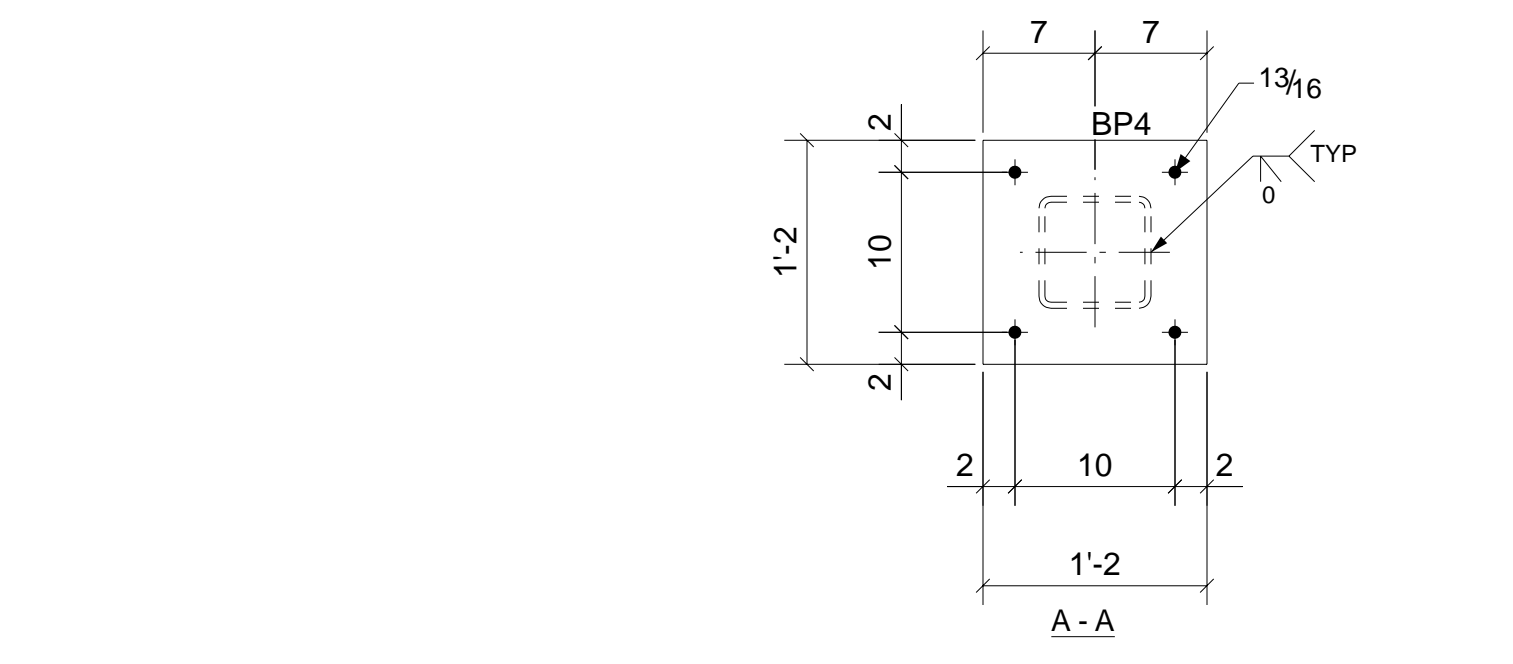
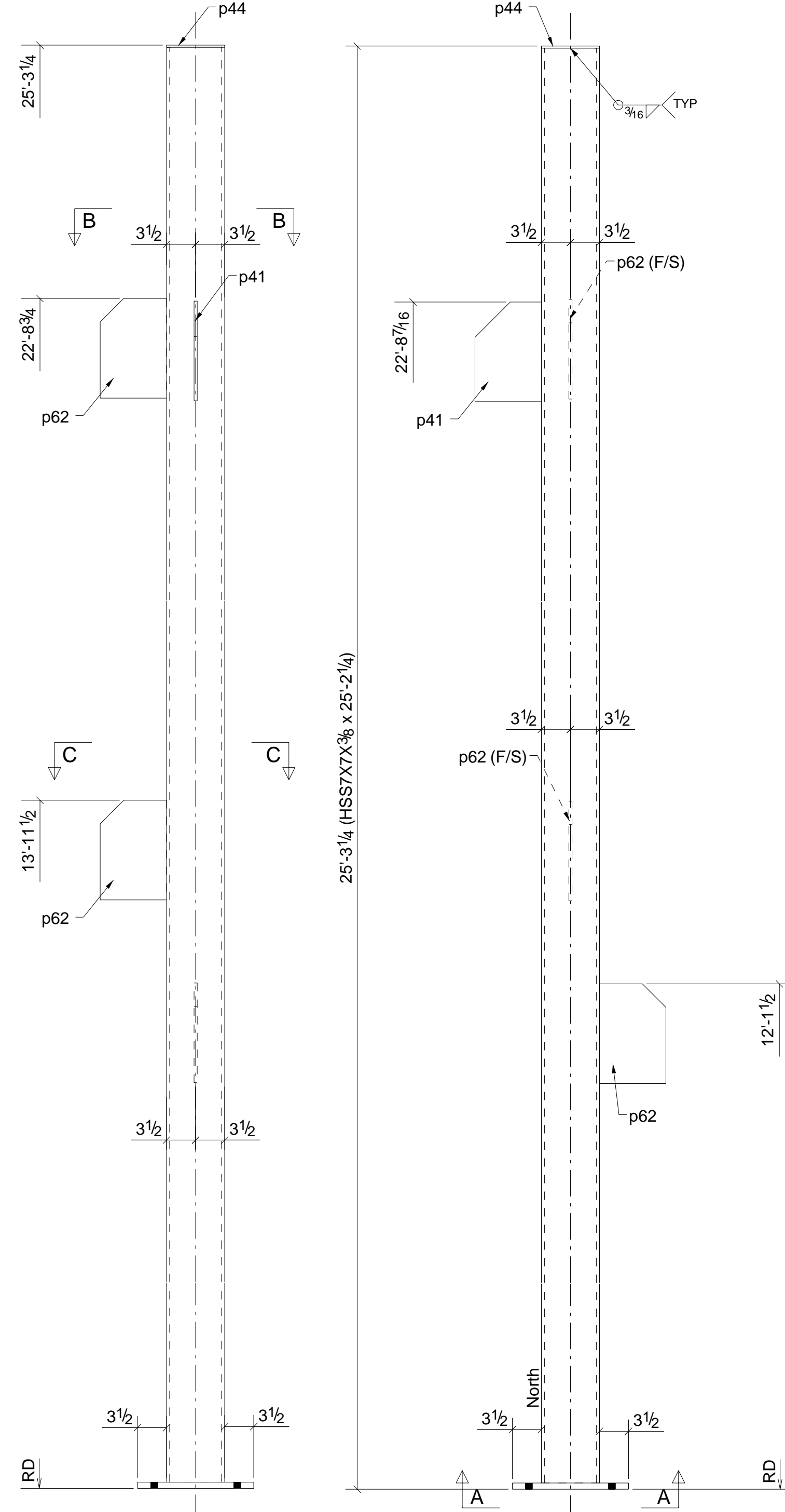
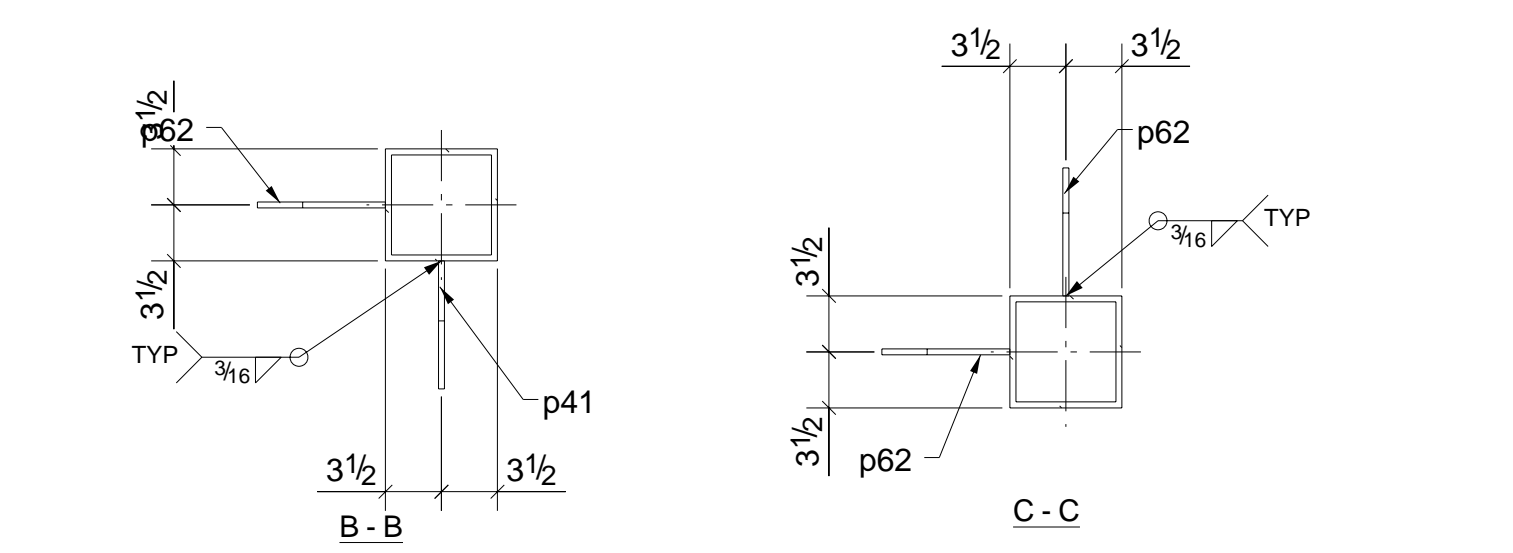


DETAIL A - ENLARGED SECTION
REF: NONE

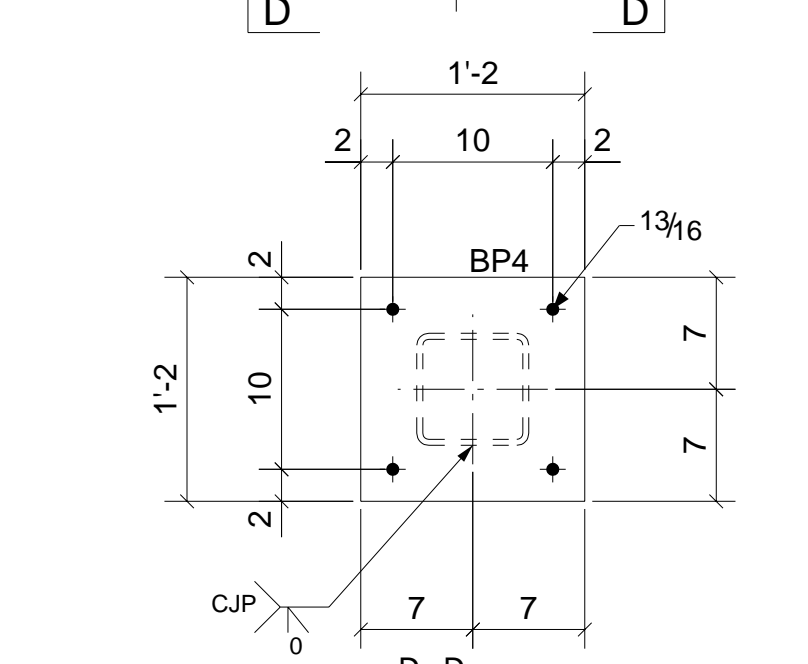
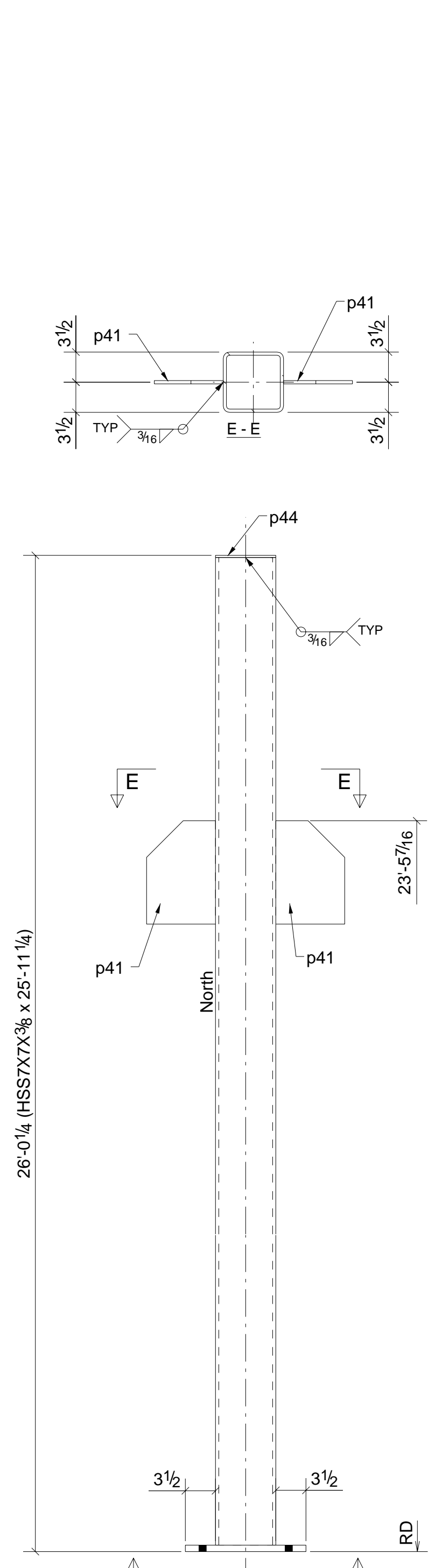
0	ISSUED FOR APPROVAL	03.05.18
REV	DESCRIPTION	DATE

D&R STEEL WORKS
15385 HWY 90 E.
CASTROVILLE, TX 78009

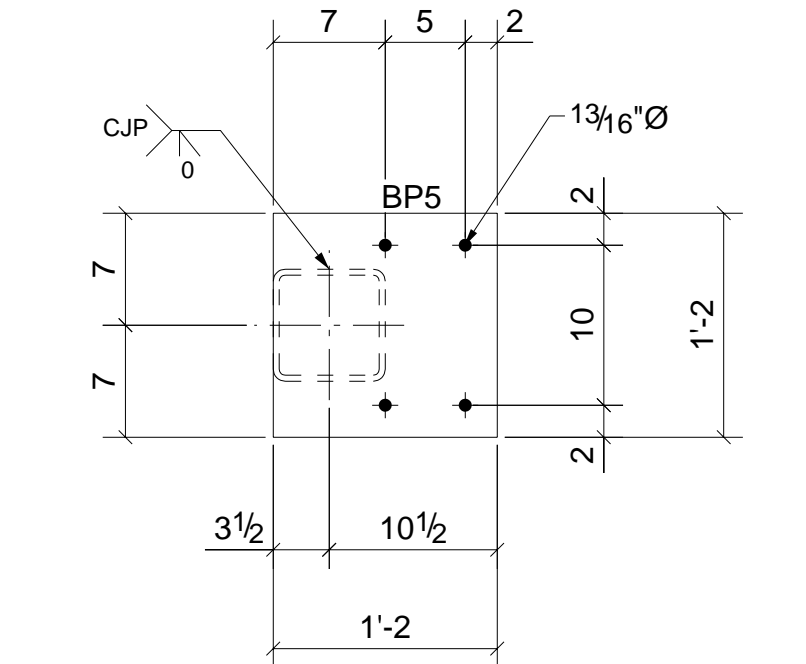
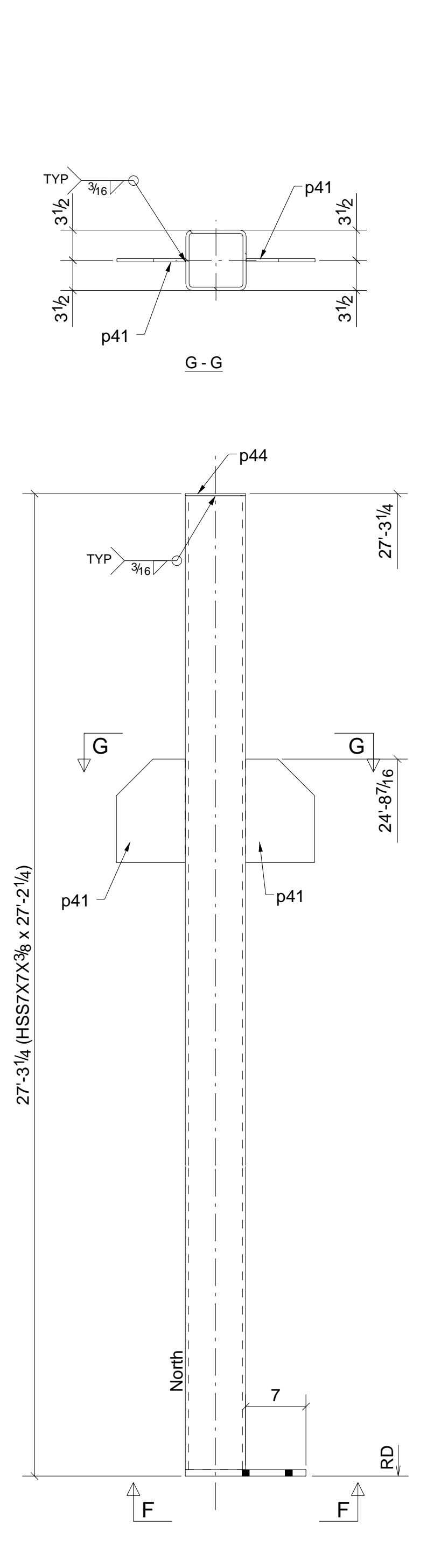
DESCRIPTION	DETAILS & SECTION VIEWS		
PROJECT NAME	HONDO MEDICAL CENTER		
DRAWN BY	DW, LLC.	JOB No.	DRG No.
DATE DRAWN	03/02/2018		S12



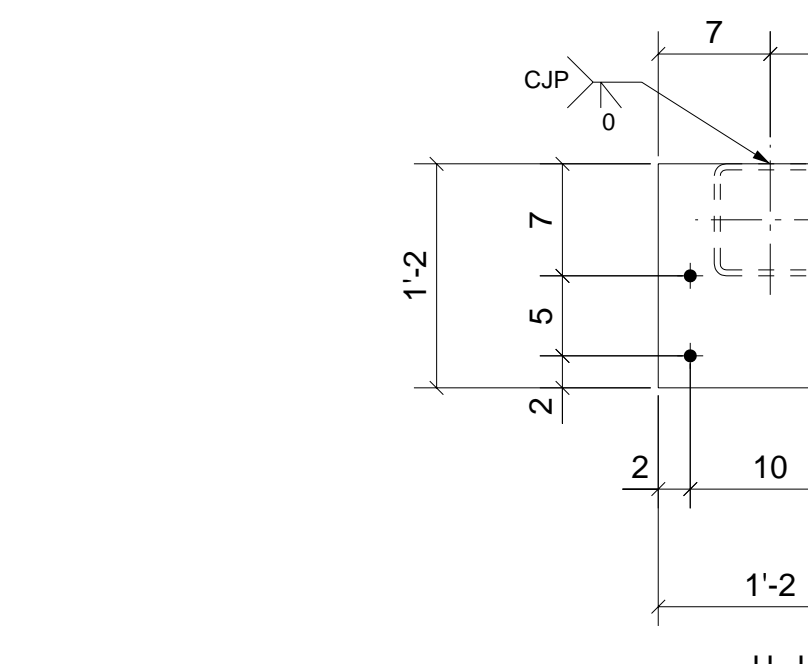
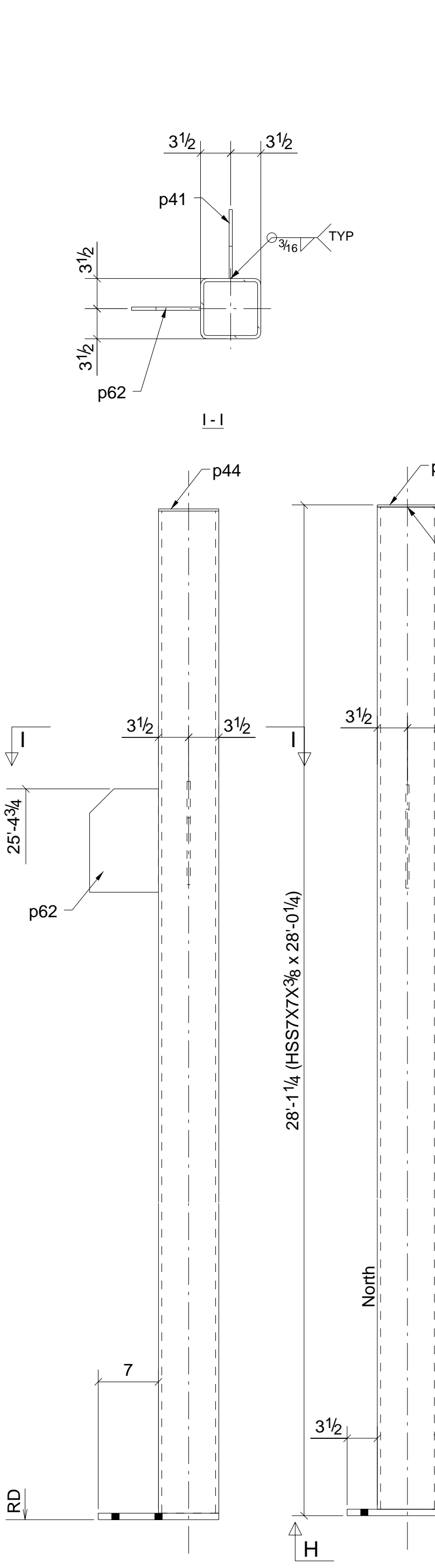
1 - COLUMN - 2C1



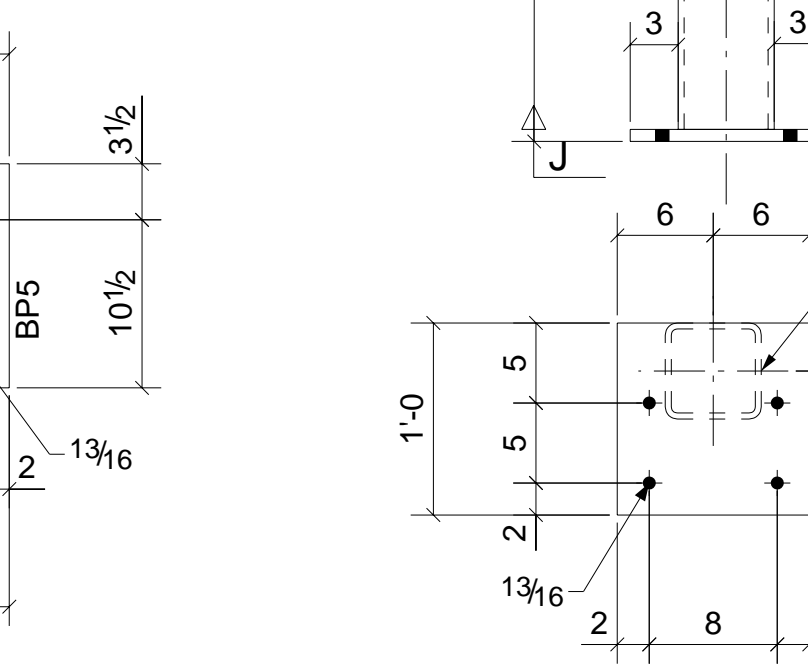
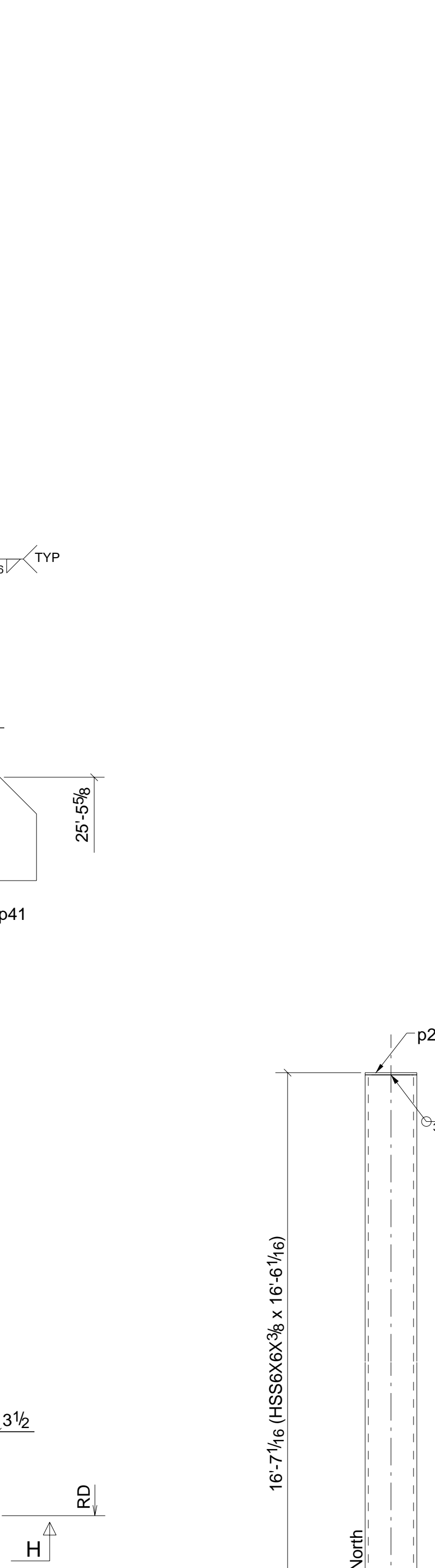
2 - COLUMN - 2C2



1 - COLUMN - 2C3



1 - COLUMN - 2C4



1 - COLUMN - 2C5

MARK	QTY	DESCRIPTION	LENGTH	WEIGHT	REMARKS
2C1	1	COLUMN			SO-2
2C1	1	HSS7X7X3/8	25'-2 1/4'	769	SHOP PRIMER A500-GR.B
BP4	1	PL3/4"X14"	1'-2"	42	A36
p41	1	FL3/8"X8"	1'-0"	9	SHOP PRIMER A36
p44	1	FL1/4"X7"	0'-7"	3	A36
p62	3	FL3/8"X8"	1'-0"	29	SHOP PRIMER A36
2C2	2	COLUMNS			SO-2
2C2	2	HSS7X7X3/8	25'-11 1/4'	1584	SHOP PRIMER A500-GR.B
BP4	2	PL3/4"X14"	1'-2"	83	A36
p41	4	FL3/8"X8"	1'-0"	37	SHOP PRIMER A36
p44	2	FL1/4"X7"	0'-7"	7	A36
2C3	1	COLUMN			SO-2
2C3	1	HSS7X7X3/8	27'-2 1/4'	830	SHOP PRIMER A500-GR.B
BP5	1	PL3/4"X14"	1'-2"	42	A36
p41	2	FL3/8"X8"	1'-0"	18	SHOP PRIMER A36
p44	1	FL1/4"X7"	0'-7"	3	A36
2C4	1	COLUMN			SO-2
2C4	1	HSS7X7X3/8	28'-0 1/4'	855	SHOP PRIMER A500-GR.B
BP5	1	PL3/4"X14"	1'-2"	42	A36
p41	1	FL3/8"X8"	1'-0"	9	SHOP PRIMER A36
p44	1	FL1/4"X7"	0'-7"	3	A36
p62	1	FL3/8"X8"	1'-0"	10	SHOP PRIMER A36
2C5	1	COLUMN			SO-2
2C5	1	HSS6X6X3/8	16'-6 1/16"	426	SHOP PRIMER A500-GR.B
BP3	1	FL3/4"X12"	1'-0"	31	A36
p23	1	FL1/4"X6"	0'-6"	3	A36
TOTAL WEIGHT THIS DRAWING				4836	

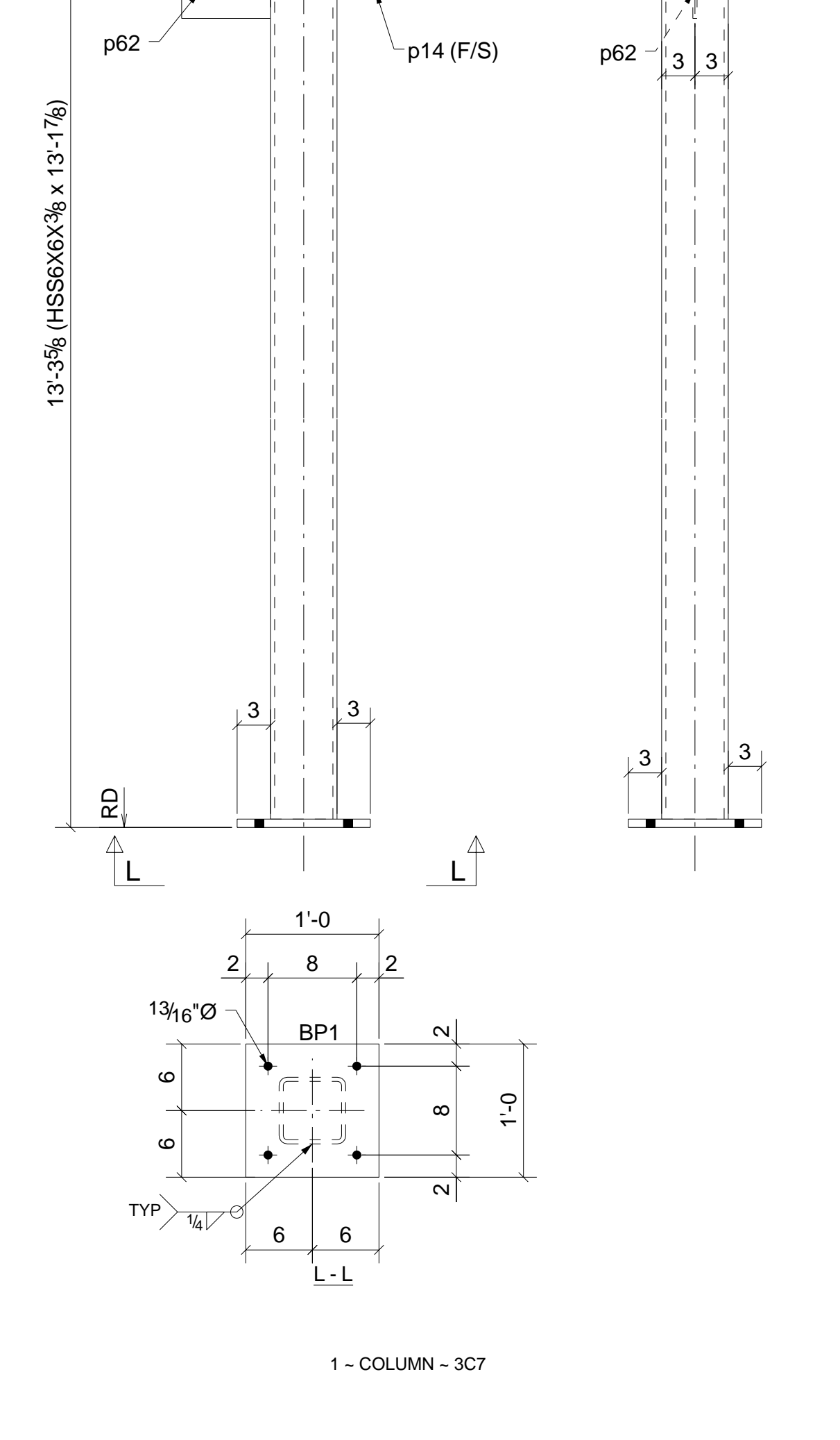
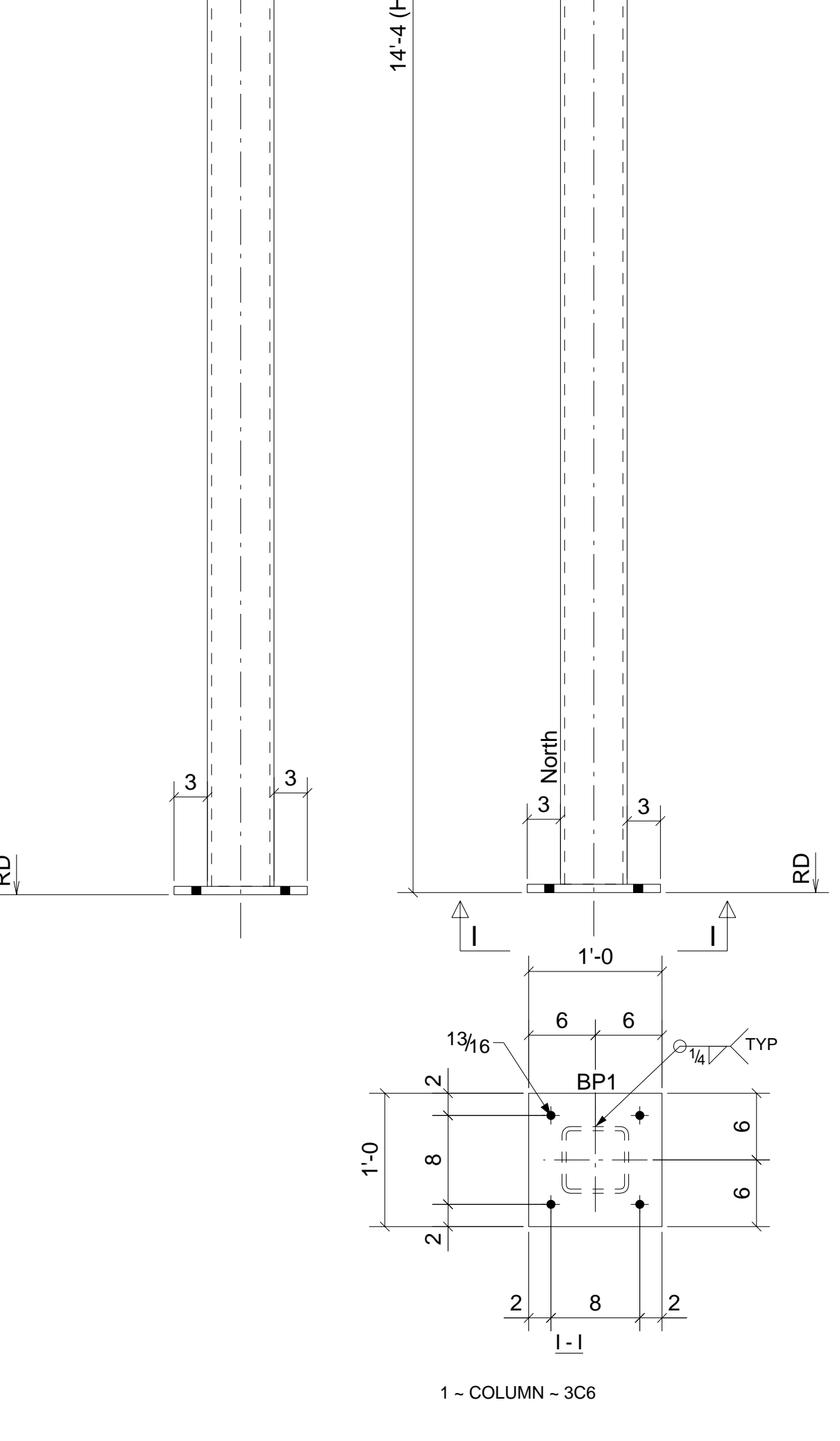
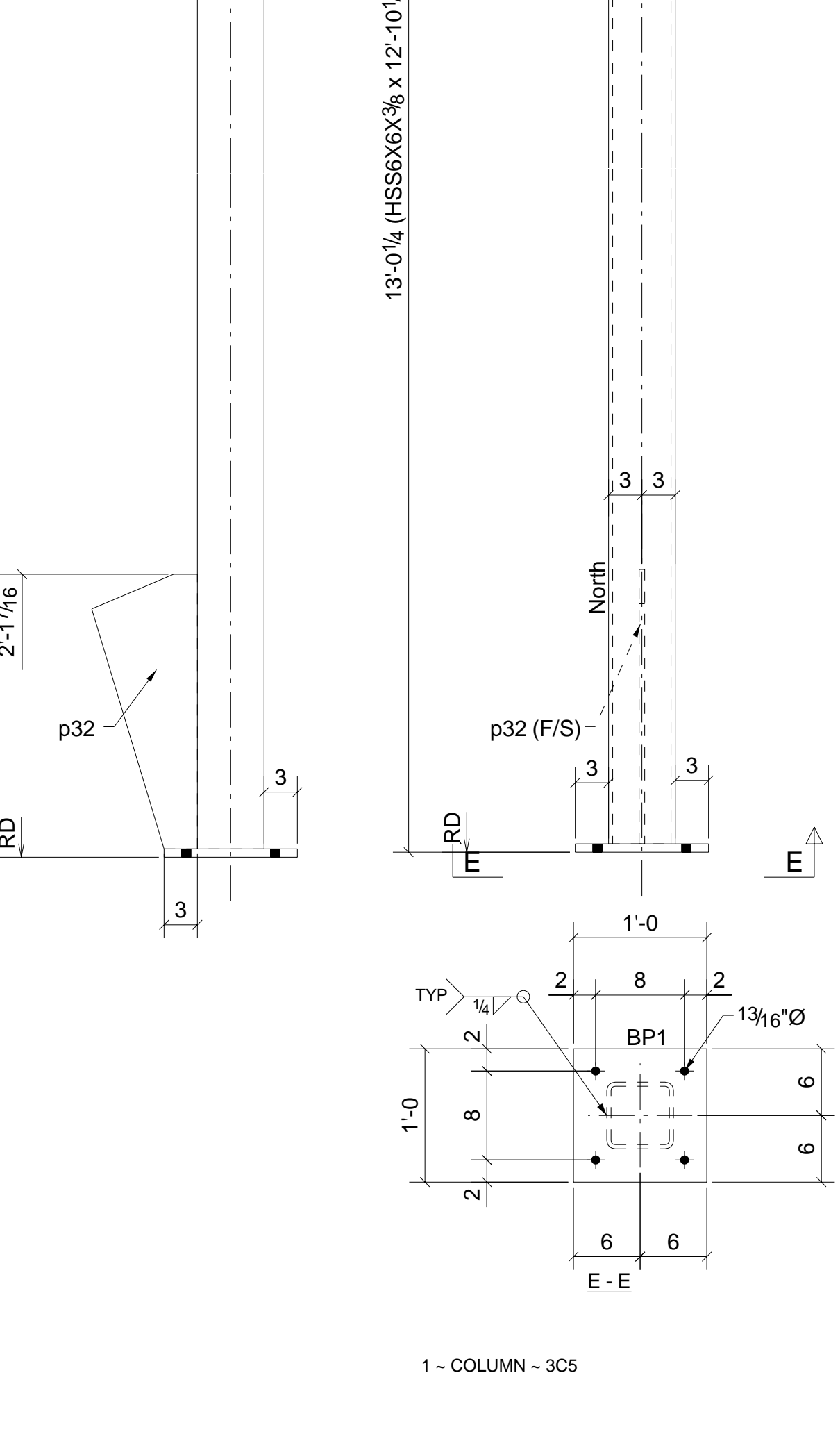
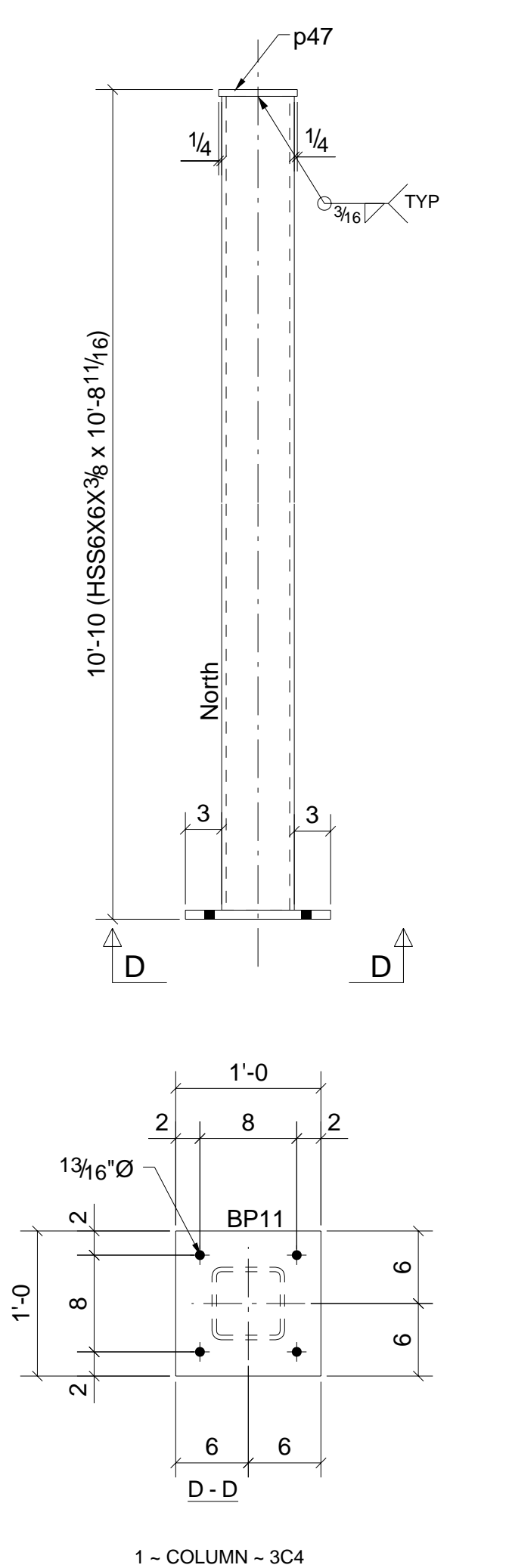
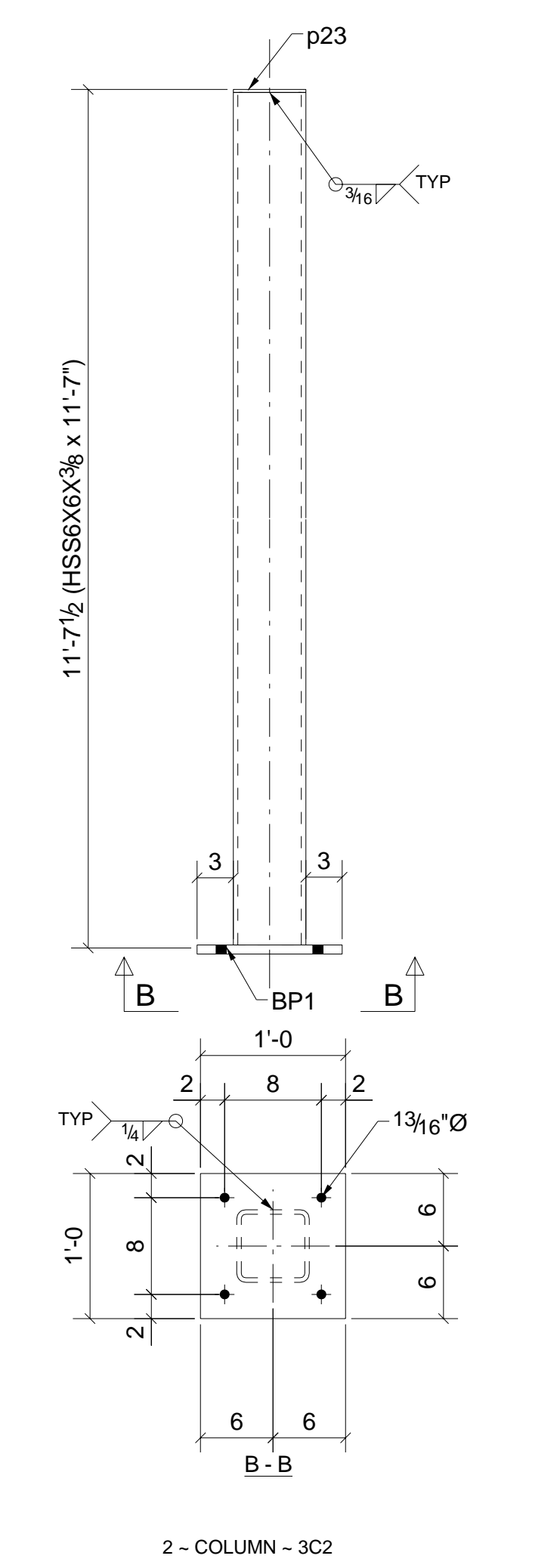
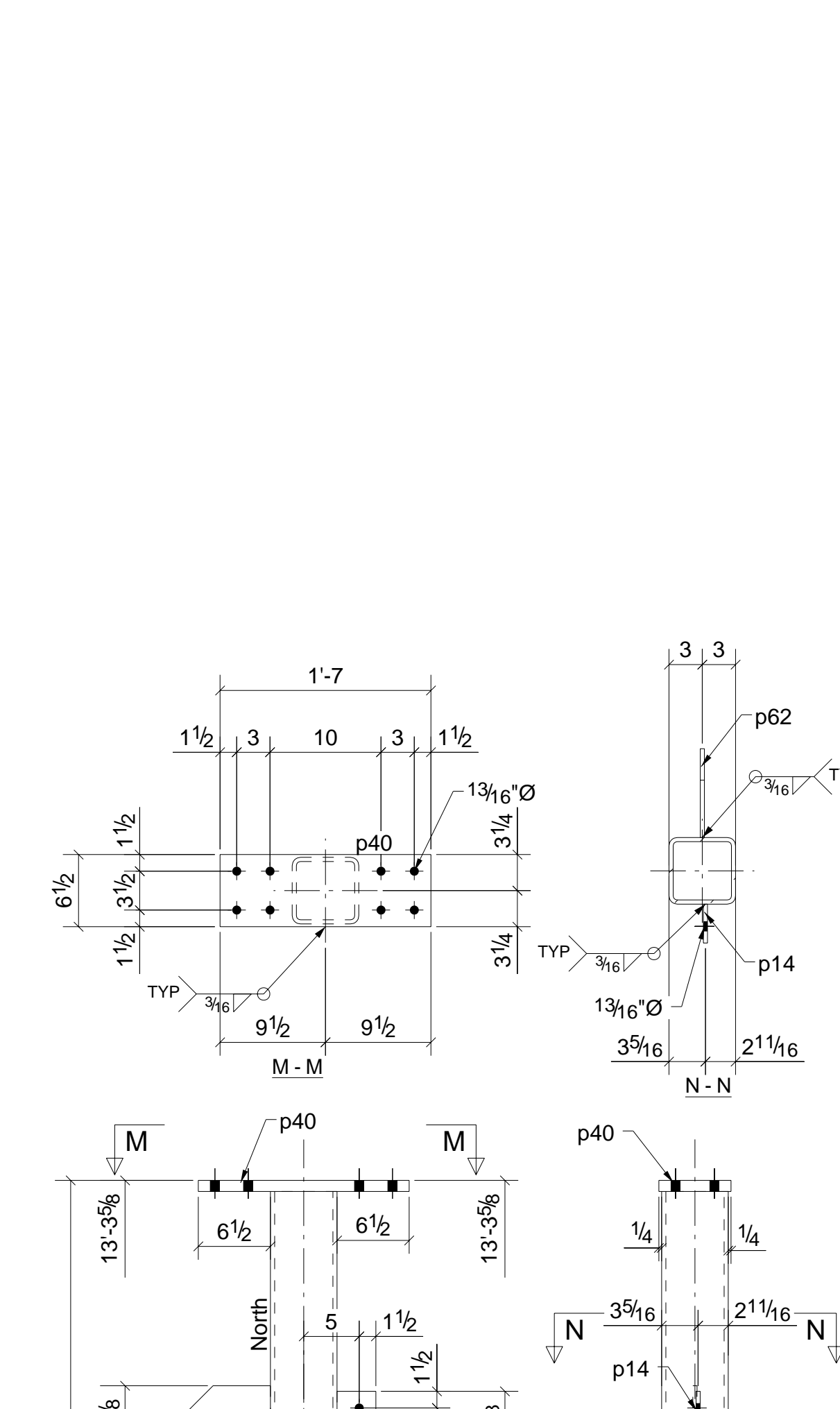
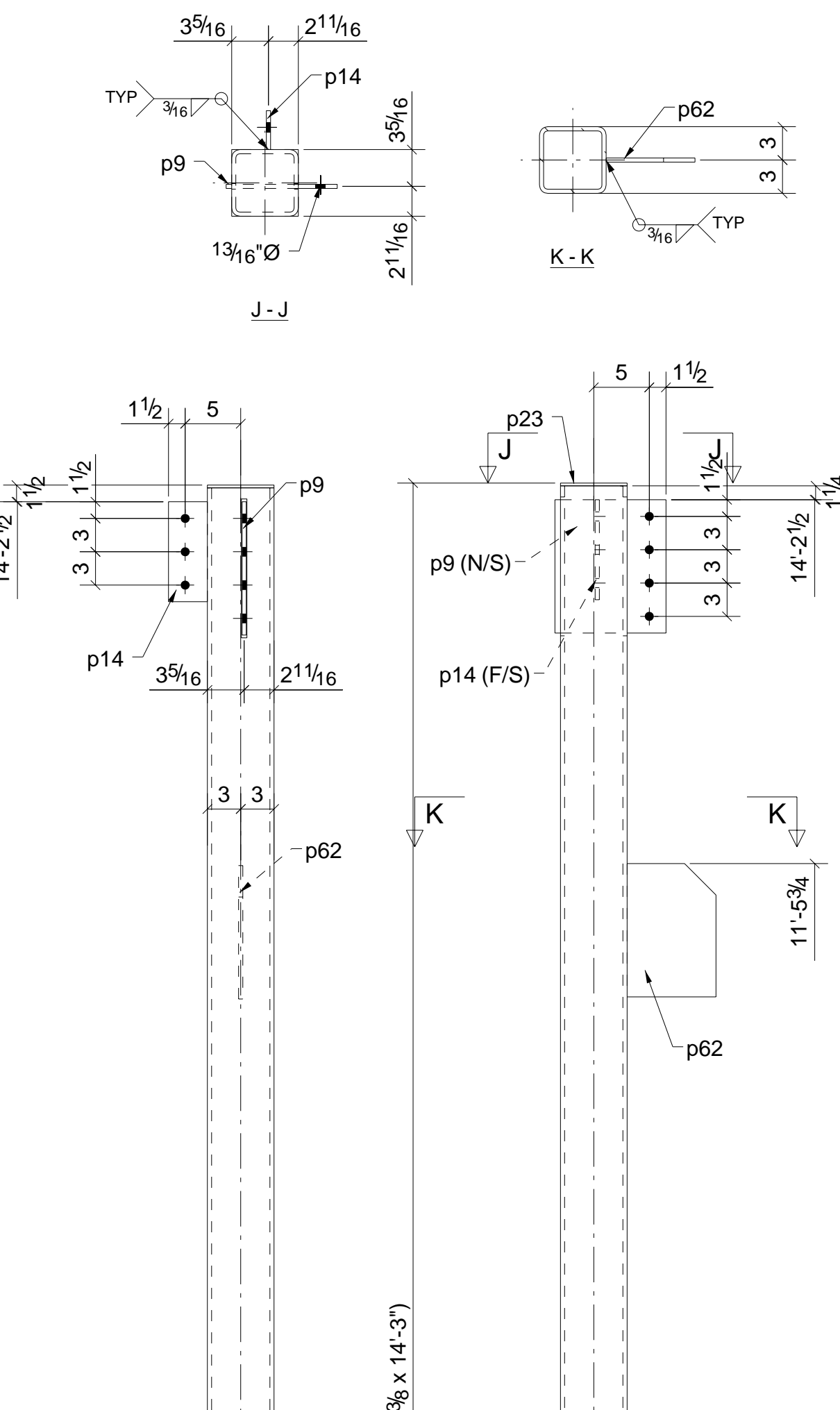
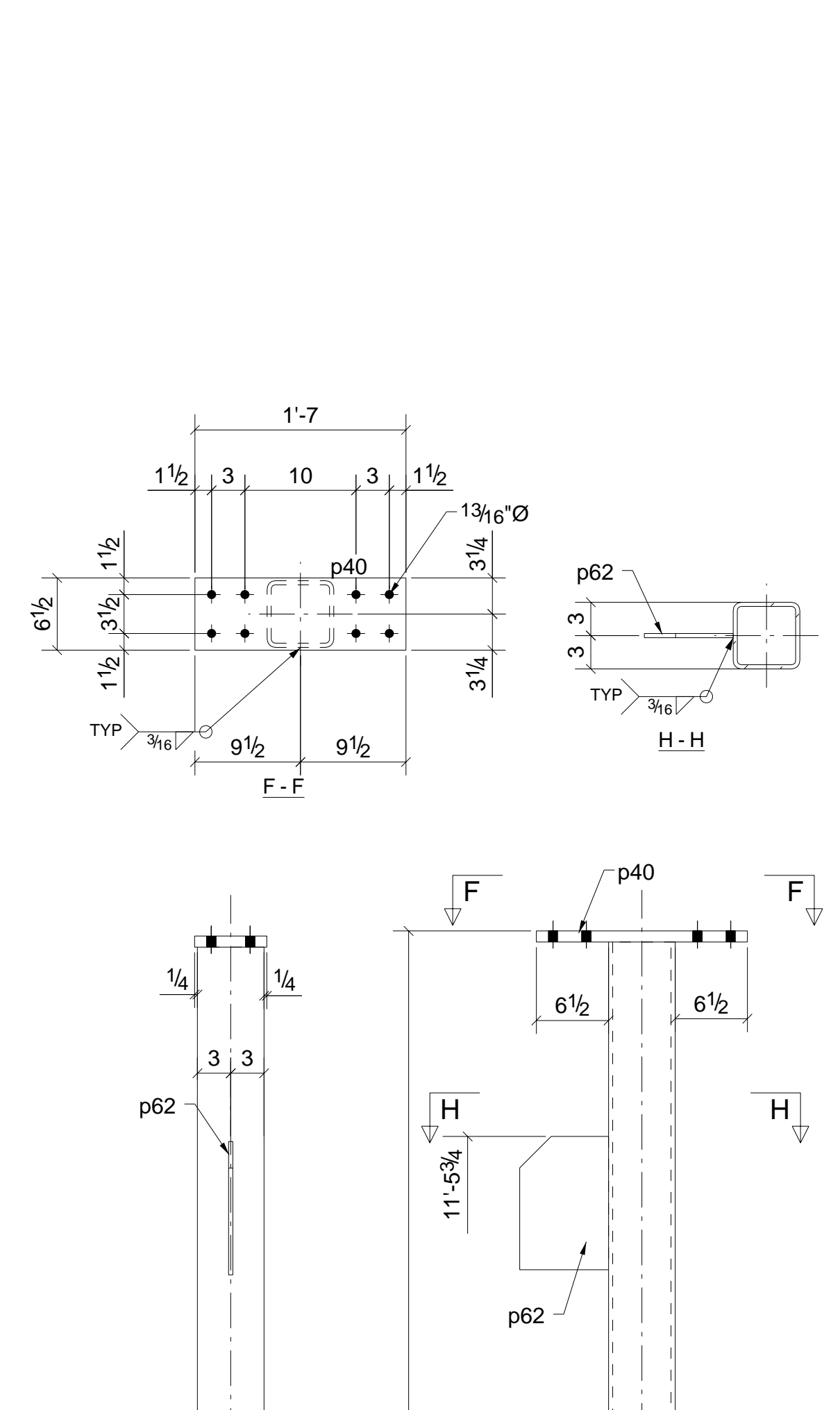
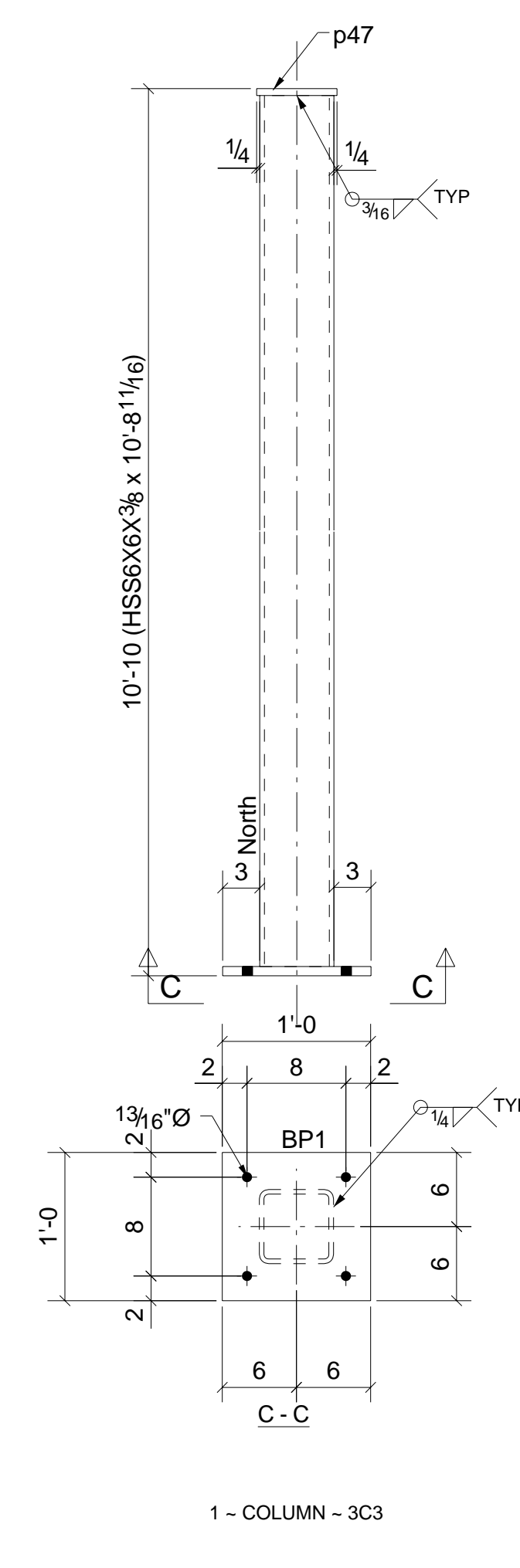
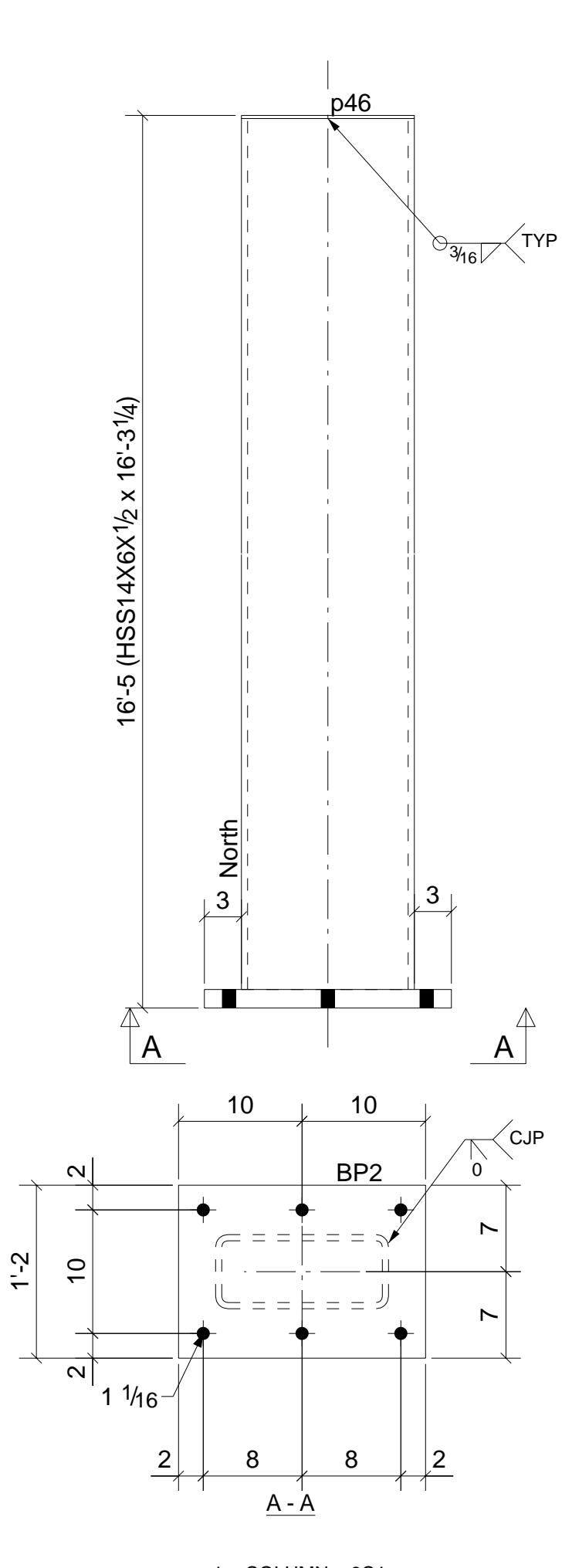
0	ISSUED FOR APPROVAL	03.05.18
REV	DESCRIPTION	DATE

D&R STEEL WORKS
 15385 HWY 90 E
 CASTROVILLE, TX 78009

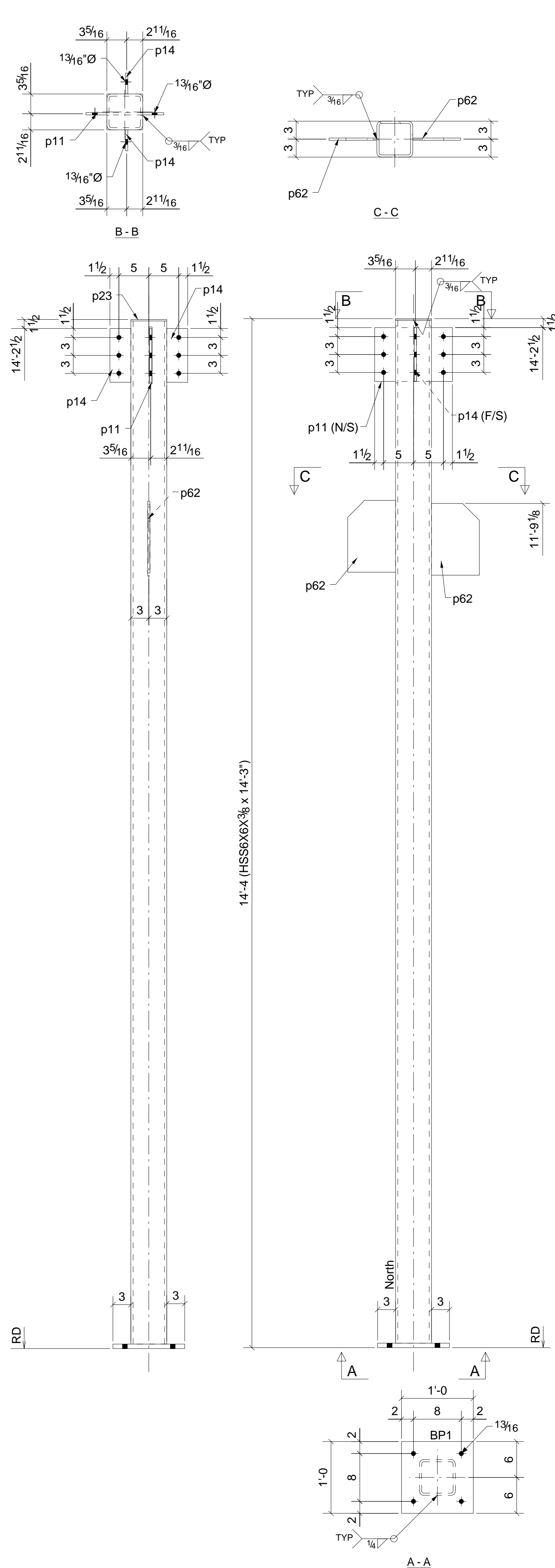
DESCRIPTION	HONDO MEDICAL CENTER		
PROJECT NAME	HONDO MEDICAL CENTER		
DRAWN BY	DW, LLC.	JOB No.	DRG No.
DATE DRAWN	03/02/2018		2

BILL OF MATERIAL

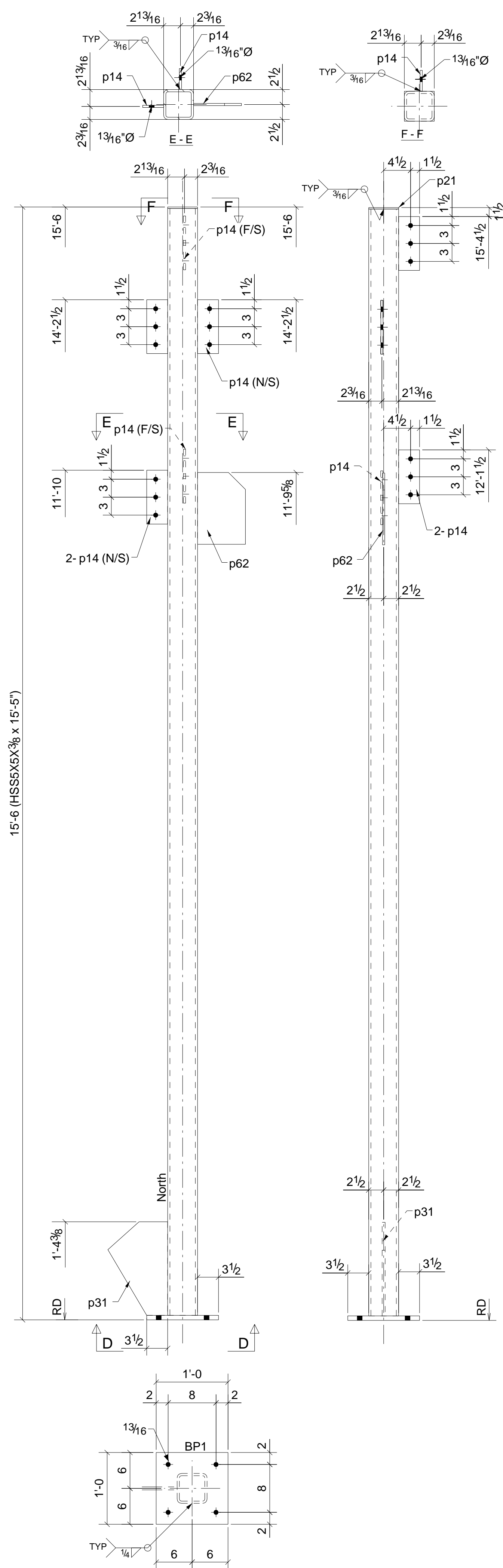
MARK	QTY	DESCRIPTION	LENGTH	WEIGHT	REMARKS
3C1	1	COLUMN			SO-2
3C1	1	HSS14X6X1/2	16'-3 1/4"	952	SHOP PRIMER A500-GR-B
BP2	1	PL1 1/2"X14"	1'-8"	119	A36
p46	1	FL1/4"X6"	1'-2"	6	A36
3C2	2	COLUMNS			SO-2
3C2	2	HSS6X6X3/8	11'-7"	598	SHOP PRIMER A500-GR-B
BP1	2	FL3/4"X12"	1'-0"	61	A36
p23	2	FL1/4"X6"	0'-6"	5	A36
3C3	1	COLUMN			SO-2
3C3	1	HSS6X6X3/8	10'-8 11/16"	277	SHOP PRIMER A500-GR-B
BP1	1	FL3/4"X12"	1'-0"	31	A36
p47	1	FL9/16"X6 1/2"	0'-6 1/2"	7	A36
3C4	1	COLUMN			SO-2
3C4	1	HSS6X6X3/8	10'-8 11/16"	277	SHOP PRIMER A500-GR-B
BP11	1	FL3/4"X12"	1'-0"	31	A36
p47	1	FL9/16"X6 1/2"	0'-6 1/2"	7	A36
3C5	1	COLUMN			SO-2
3C5	1	HSS6X6X3/8	12'-10 1/2"	332	SHOP PRIMER A500-GR-B
BP1	1	FL3/4"X12"	1'-0"	31	A36
p32	1	PL1 1/2"X9 1/2"	2'-0 11/16"	22	SHOP PRIMER A36
p40	1	FL1"X6 1/2"	1'-7"	35	A36
p62	1	FL3/8"X8"	1'-0"	10	SHOP PRIMER A36
3C6	1	COLUMN			SO-2
3C6	1	HSS6X6X3/8	14'-3"	368	SHOP PRIMER A500-GR-B
BP1	1	FL3/4"X12"	1'-0"	31	A36
p9	1	FL3/8"X10"	1'-0"	13	A36
p14	1	FL3/8"X3 1/2"	0'-9"	3	A36
p23	1	FL1/4"X6"	0'-6"	3	A36
p62	1	FL3/8"X8"	1'-0"	10	SHOP PRIMER A36
3C7	1	COLUMN			SO-2
3C7	1	HSS6X6X3/8	13'-1 7/8"	339	SHOP PRIMER A500-GR-B
BP1	1	FL3/4"X12"	1'-0"	31	A36
p14	1	FL3/8"X3 1/2"	0'-9"	3	A36
p40	1	FL1"X6 1/2"	1'-7"	35	A36
p62	1	FL3/8"X8"	1'-0"	10	SHOP PRIMER A36
TOTAL WEIGHT THIS DRAWING				3644	



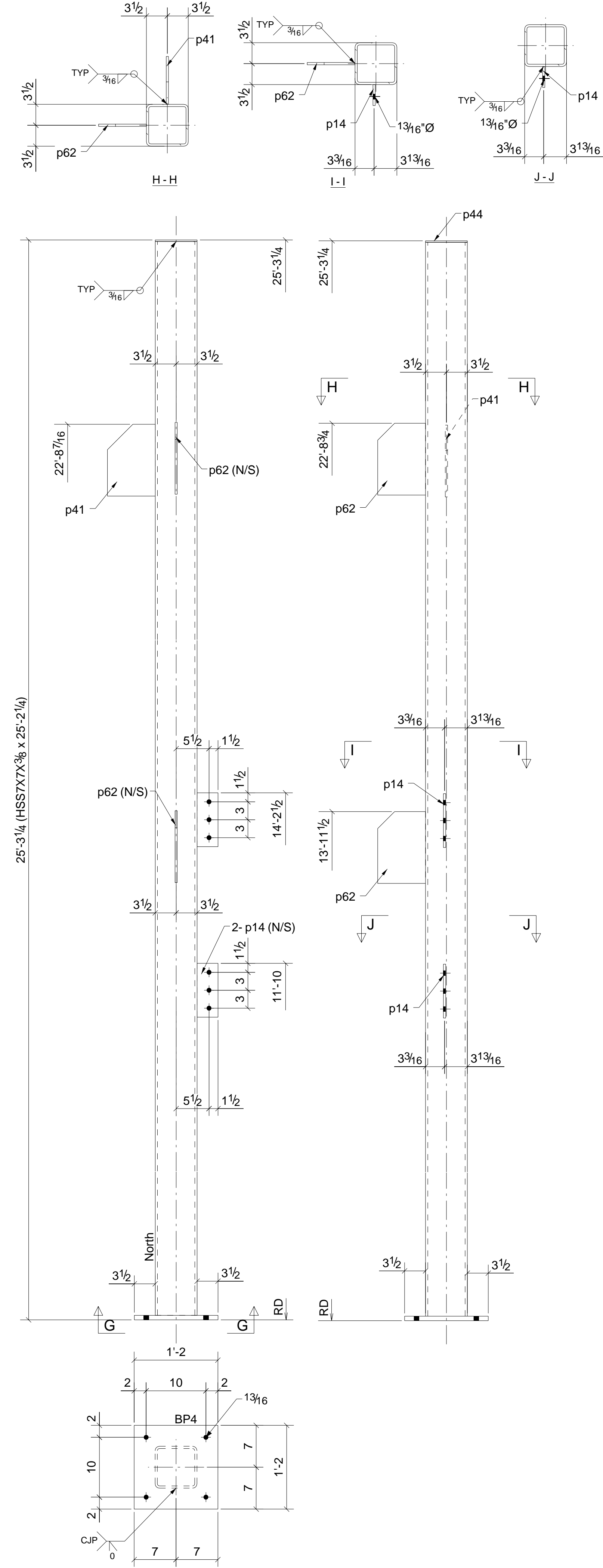
0	ISSUED FOR APPROVAL	03.05.18
REV	DESCRIPTION	DATE
D&R STEEL WORKS		
15385 HWY 90 E CASTROVILLE, TX 78009		
DESCRIPTION	HONDO MEDICAL CENTER	
PROJECT NAME	DW, LLC.	
DRAWN BY	JOB No.	DRG No.
DATE DRAWN	03/02/2018	3



1 - COLUMN - 4C1



1 - COLUMN - 4C2



1 - COLUMN - 4C3

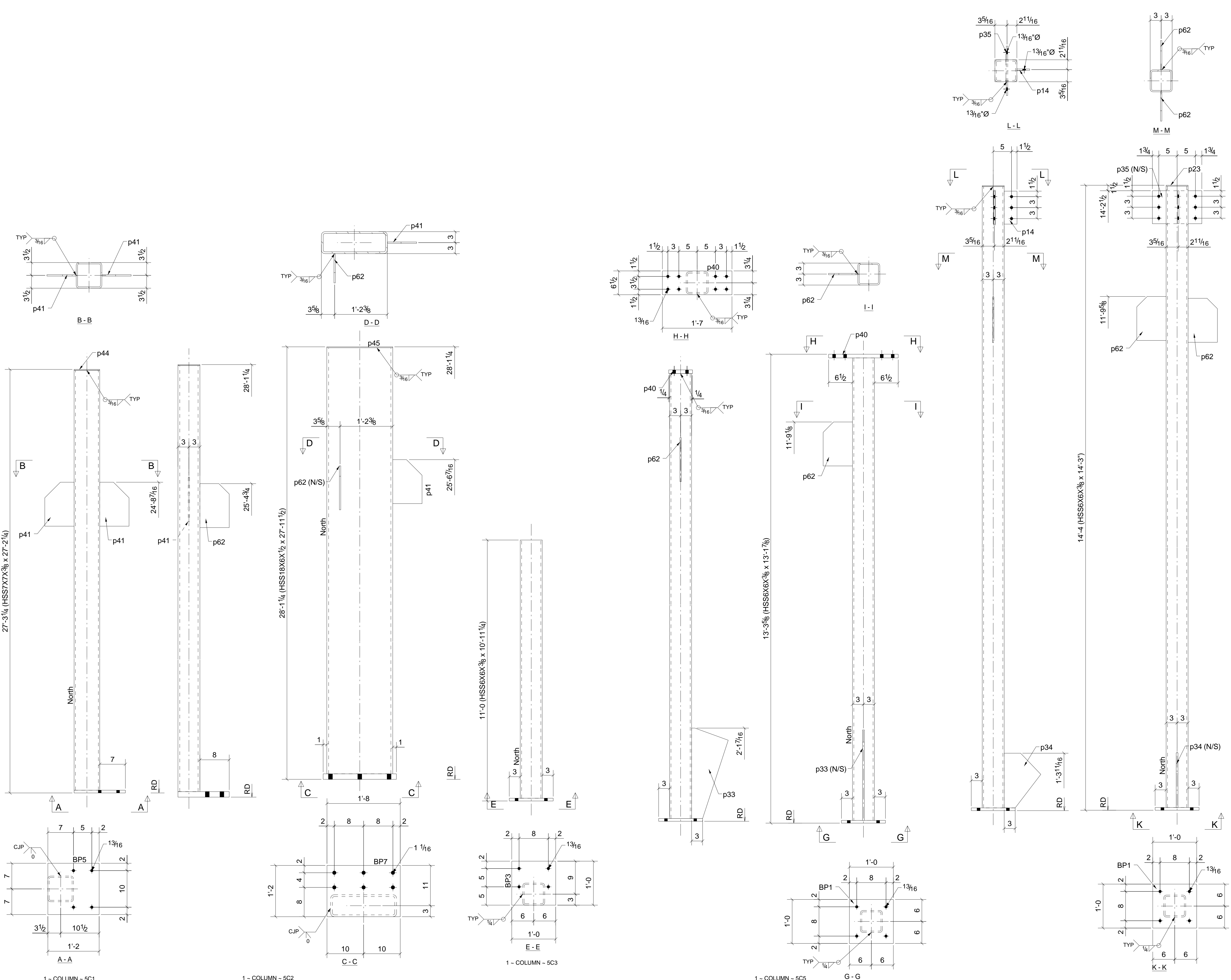
BILL OF MATERIAL

MARK	QTY	DESCRIPTION	LENGTH	WEIGHT	REMARKS
4C1	1	COLUMN			SO-2
4C1	1	HSS6X6X3/8	14'-3"	368	SHOP PRIMER A500-GR.B
BP1	1	FL3/8"X12"	1'-0"	31	A36
p11	1	FL3/8"X9"	1'-1"	12	A36
p14	2	FL3/8"X3 1/2"	0'-9"	7	A36
p23	1	FL1/4"X6"	0'-6"	3	A36
p62	2	FL3/8"X8"	1'-0"	20	SHOP PRIMER A36
4C2	1	COLUMN			SO-2
4C2	1	HSS5X5X3/8	15'-5"	324	SHOP PRIMER A500-GR.B
BP1	1	FL3/4"X12"	1'-0"	31	A36
p14	5	FL3/8"X3 1/2"	0'-9"	17	A36
p21	1	FL1/4"X5"	0'-5"	2	A36
p31	1	FL1/2"X10"	1'-3.5/8"	15	SHOP PRIMER A36
p62	1	FL3/8"X8"	1'-0"	10	SHOP PRIMER A36
4C3	1	COLUMN			SO-2
4C3	1	HSS7X7X3/8	25'-2 1/4"	769	SHOP PRIMER A500-GR.B
BP4	1	PL3/4"X14"	1'-2"	42	A36
p14	2	FL3/8"X3 1/2"	0'-9"	7	A36
p41	1	FL3/8"X8"	1'-0"	9	SHOP PRIMER A36
p44	1	FL1/4"X7"	0'-7"	3	A36
p62	2	FL3/8"X8"	1'-0"	20	SHOP PRIMER A36
TOTAL WEIGHT THIS DRAWING				1688	

0	ISSUED FOR APPROVAL	03.05.18
REV	DESCRIPTION	DATE
D&R STEEL WORKS 15385 HWY 90 E. CASTROVILLE, TX 78009		
DESCRIPTION	HONDO MEDICAL CENTER	
PROJECT NAME	HONDO MEDICAL CENTER	
DRAWN BY	DW, LLC.	JOB No.
DATE DRAWN	03/02/2018	DRG No.

BILL OF MATERIAL

MARK	QTY	DESCRIPTION	LENGTH	WEIGHT	REMARKS
5C1	1	COLUMN			SO-2
5C1	1	HSS7X7X3/8	27'-2 1/4"	830	SHOP PRIMER A500-GR.B
BP5	1	PL3/4"X14"	1'-2"	42	A36
p41	2	FL3/8"X8"	1'-0"	18	SHOP PRIMER A36
p44	1	FL1/4"X7"	0'-7"	3	A36
5C2	1	COLUMN			SO-2
5C2	1	HSS18X6X1/2	27'-11 1/2"	1989	SHOP PRIMER A500-GR.B
BP7	1	PL1 1/2"X14"	1'-8"	119	A36
p41	1	FL3/8"X8"	1'-0"	9	SHOP PRIMER A36
p45	1	FL1/4"X6"	1'-6"	8	A36
p62	1	FL3/8"X8"	1'-0"	10	SHOP PRIMER A36
5C3	1	COLUMN			SO-2
5C3	1	HSS6X6X3/8	10'-11 1/4"	282	SHOP PRIMER A500-GR.B
BP3	1	FL3/4"X12"	1'-0"	31	A36
5C5	1	COLUMN			SO-2
5C5	1	HSS6X6X3/8	13'-1 7/8"	339	SHOP PRIMER A500-GR.B
BP1	1	FL3/4"X12"	1'-0"	31	A36
p33	1	FL1/2"X10"	2'-0 11/16"	22	SHOP PRIMER A36
p40	1	FL1"X6 1/2"	1'-7"	35	A36
p62	1	FL3/8"X8"	1'-0"	10	SHOP PRIMER A36
5C6	1	COLUMN			SO-2
5C6	1	HSS6X6X3/8	14'-3"	368	SHOP PRIMER A500-GR.B
BP1	1	FL3/4"X12"	1'-0"	31	A36
p14	1	FL3/8"X12"	0'-9"	3	A36
p23	1	FL1/4"X6"	0'-6"	3	A36
p34	1	FL1/2"X10"	1'-2 15/16"	14	SHOP PRIMER A36
p35	1	FL3/8"X9"	1'-1 1/2"	13	A36
p62	2	FL3/8"X8"	1'-0"	20	SHOP PRIMER A36
TOTAL WEIGHT THIS DRAWING				4229	

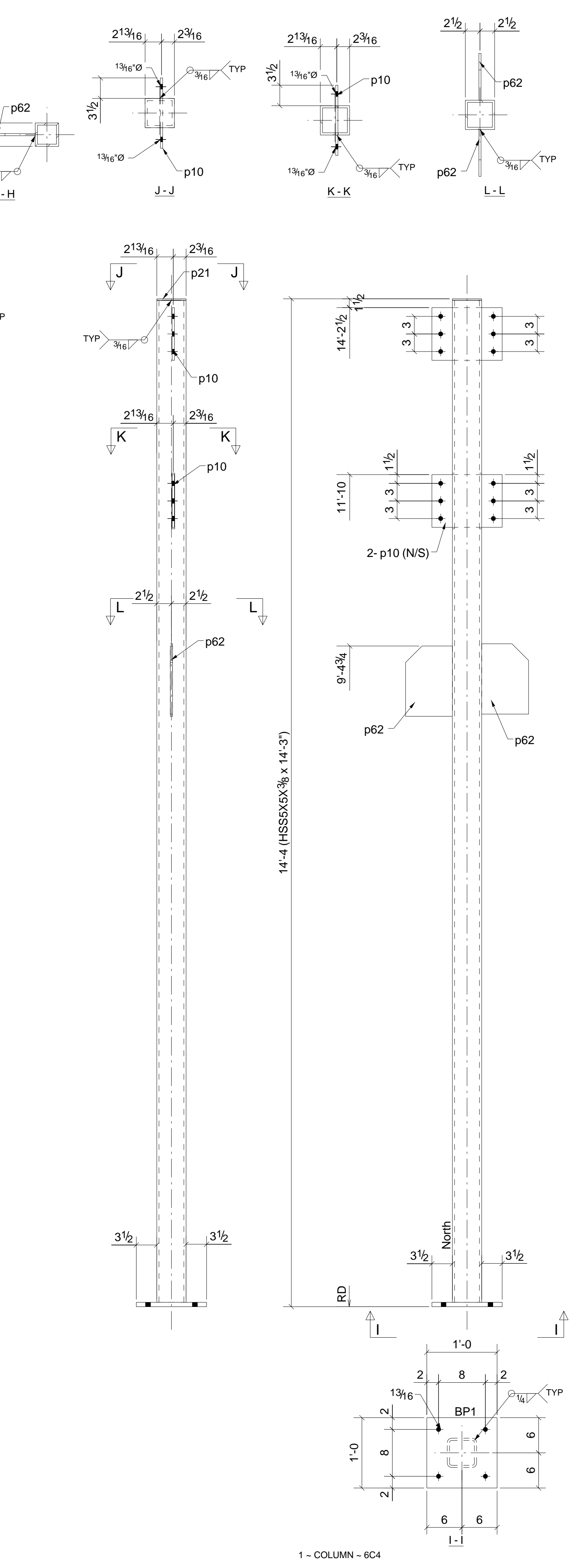
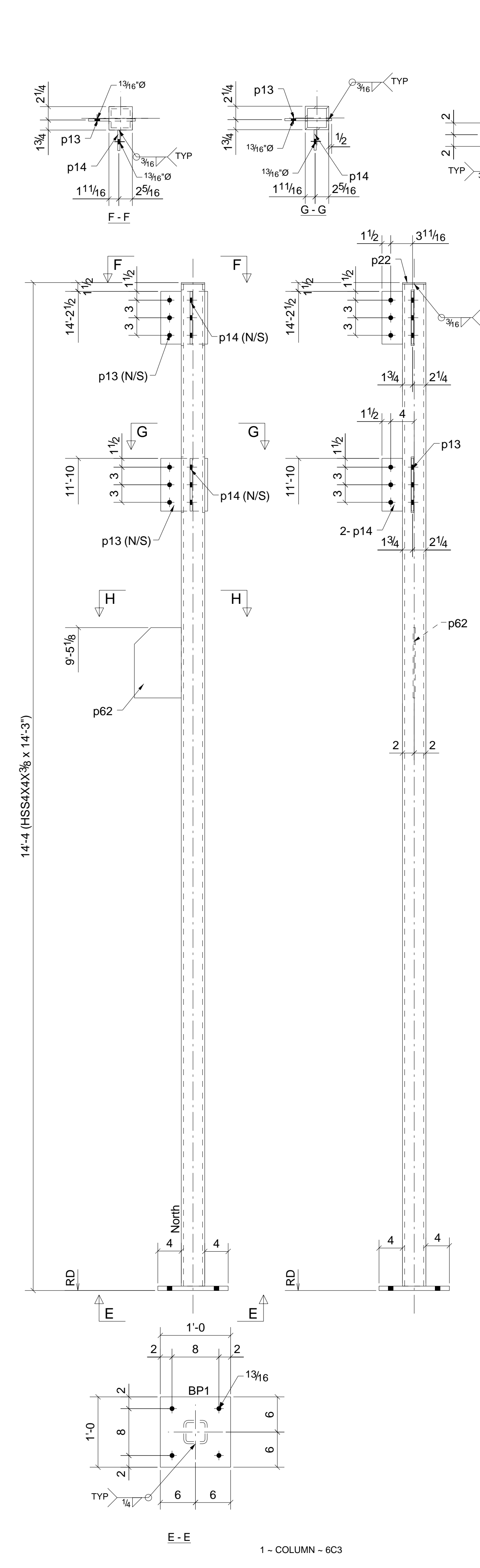
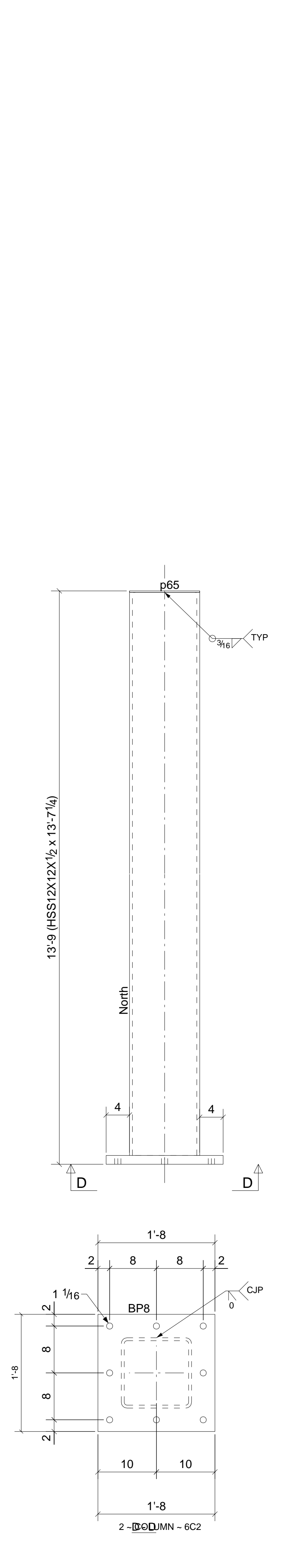
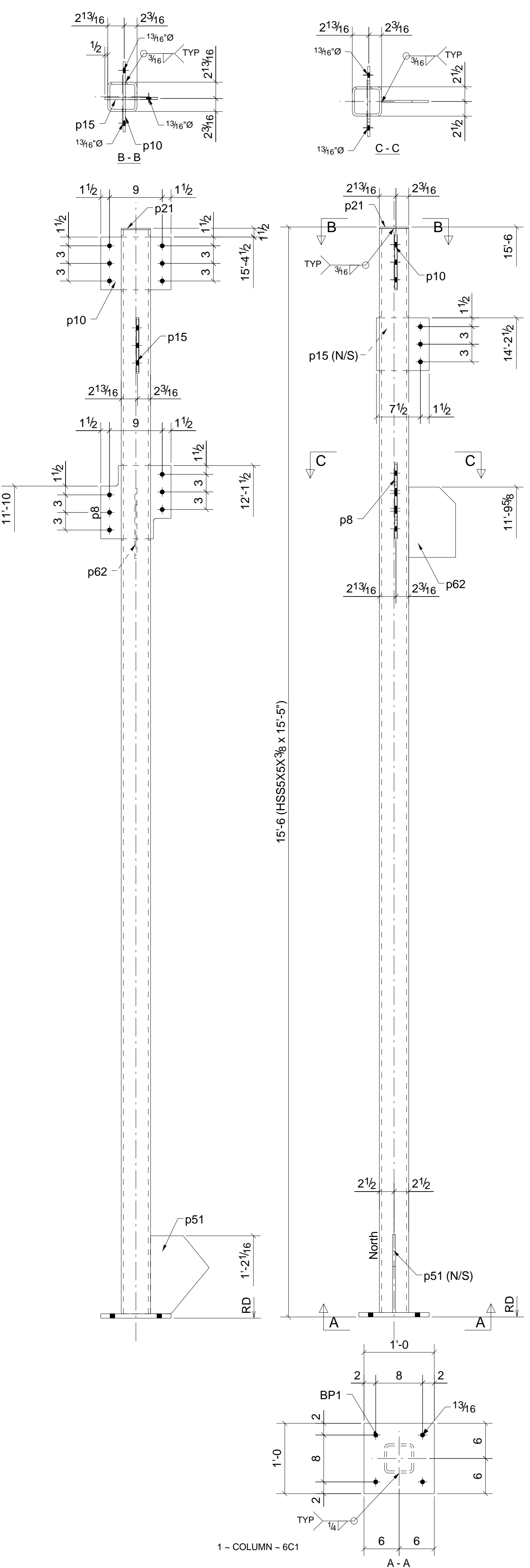


1 - COLUMN - 5C1 1 - COLUMN - 5C2 1 - COLUMN - 5C3 1 - COLUMN - 5C5 1 - COLUMN - 5C6

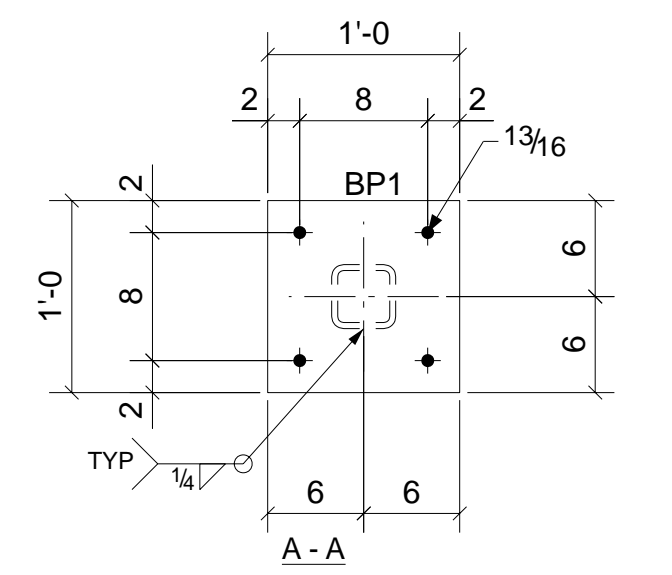
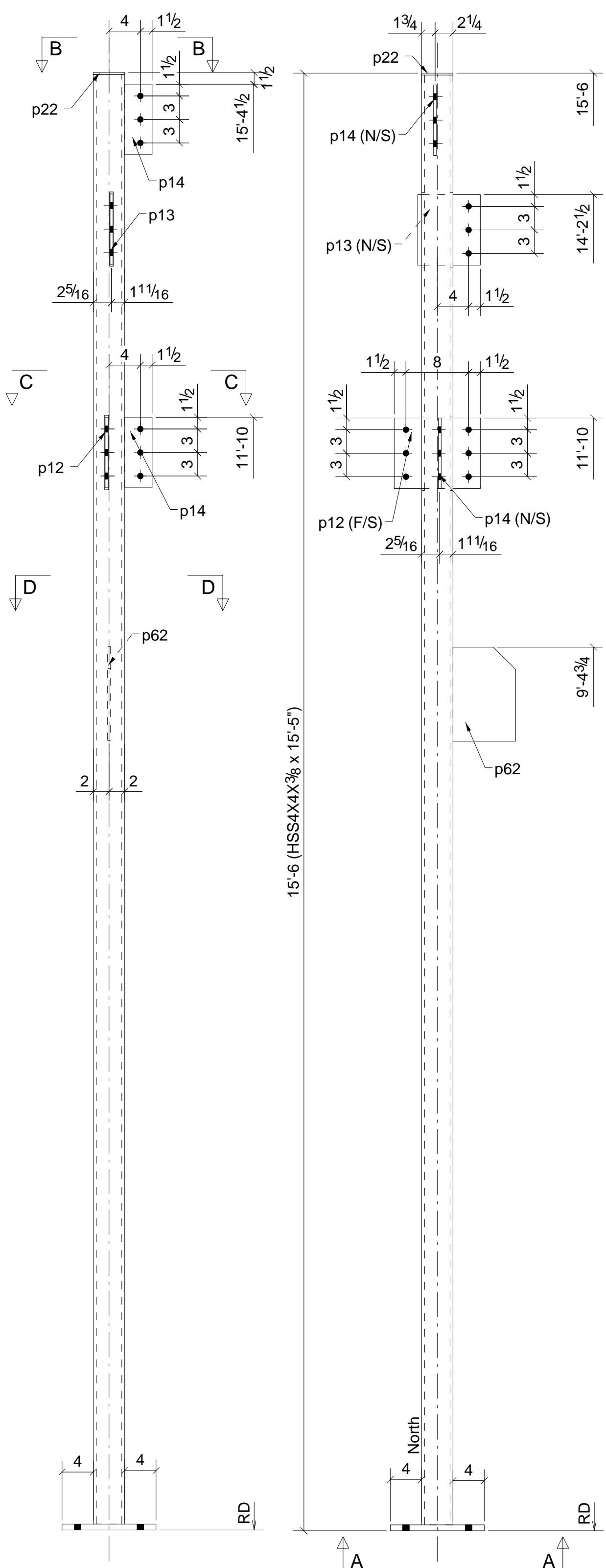
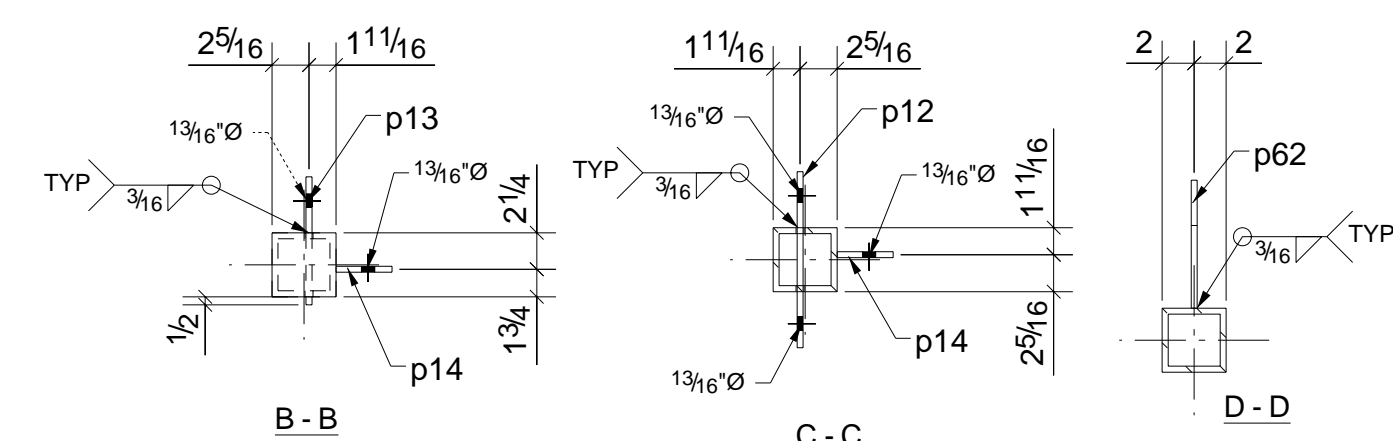
0	ISSUED FOR APPROVAL	03.05.18
REV	DESCRIPTION	DATE
D&R STEEL WORKS		
15385 HWY 90 E CASTROVILLE, TX 78009		
DESCRIPTION	HONDO MEDICAL CENTER	
DRAWN BY	DW, LLC.	JOB No.
DATE DRAWN	03/02/2018	DRG No.
		5

BILL OF MATERIAL

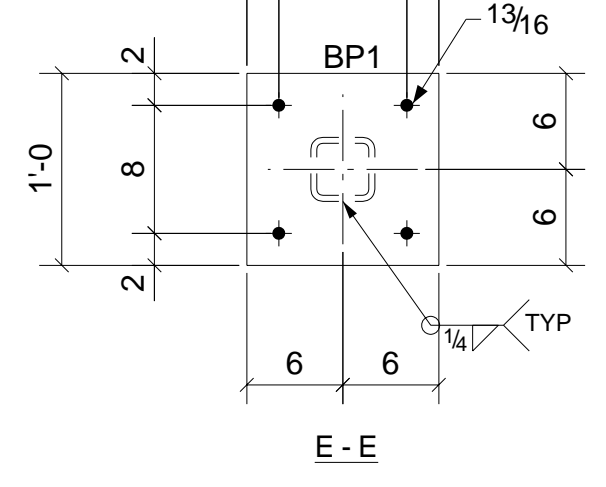
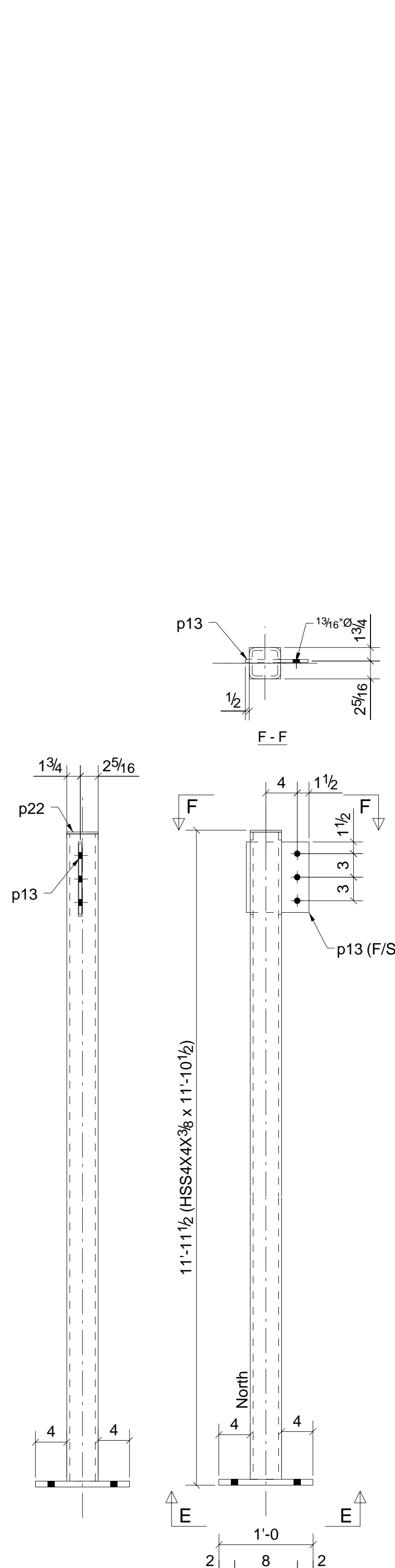
MARK	QTY	DESCRIPTION	LENGTH	WEIGHT	REMARKS
6C1	1	COLUMN			SO-2
6C1	1	HSS5X5X3/8	15'-5"	324	SHOP PRIMER A500-GR-B
BP1	1	FL3/4"X12"	1'-0"	31	A36
p8	1	FL3/8"X12"	1'-0 1/2"	14	A36
p10	1	FL3/8"X9"	1'-0"	11	A36
p15	1	FL3/8"X9"	0'-9"	9	A36
p21	1	FL1/4"X5"	0'-5"	2	A36
p51	1	FL1/2"X10"	1'-1 5/16"	14	SHOP PRIMER A36
p62	1	FL3/8"X8"	1'-0"	10	SHOP PRIMER A36
6C2	2	COLUMNS			SO-2
6C2	2	HSS12X12X1/2	13'-7 1/4"	1935	SHOP PRIMER A500-GR-B
BP8	2	PL1 1/2"X20"	1'-8"	334	A36
p65	2	FL1/4"X12"	1'-0"	20	A36
6C3	1	COLUMN			SO-2
6C3	1	HSS4X4X3/8	14'-3"	232	SHOP PRIMER A500-GR-B
BP1	1	FL3/4"X12"	1'-0"	31	A36
p13	2	FL3/8"X8"	0'-9"	15	A36
p14	2	FL3/8"X1/2"	0'-9"	7	A36
p22	1	FL1/4"X4"	0'-4"	1	A36
p62	1	FL3/8"X8"	1'-0"	10	SHOP PRIMER A36
6C4	1	COLUMN			SO-2
6C4	1	HSS5X5X3/8	14'-3"	300	SHOP PRIMER A500-GR-B
BP1	1	FL3/4"X12"	1'-0"	31	A36
p10	2	FL3/8"X9"	1'-0"	23	A36
p21	1	FL1/4"X5"	0'-5"	2	A36
p62	2	FL3/8"X8"	1'-0"	20	SHOP PRIMER A36
TOTAL WEIGHT THIS DRAWING				3374	



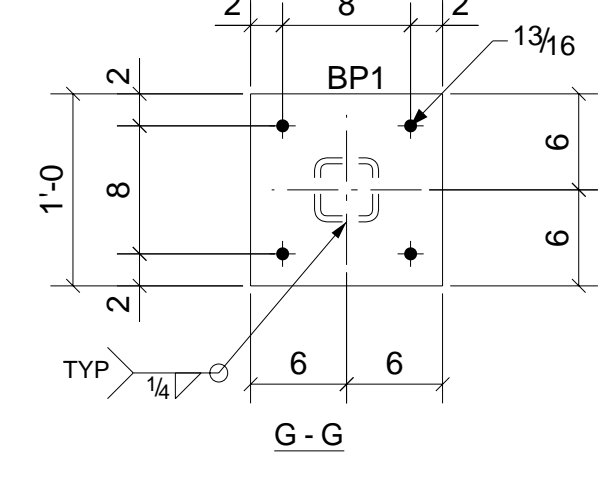
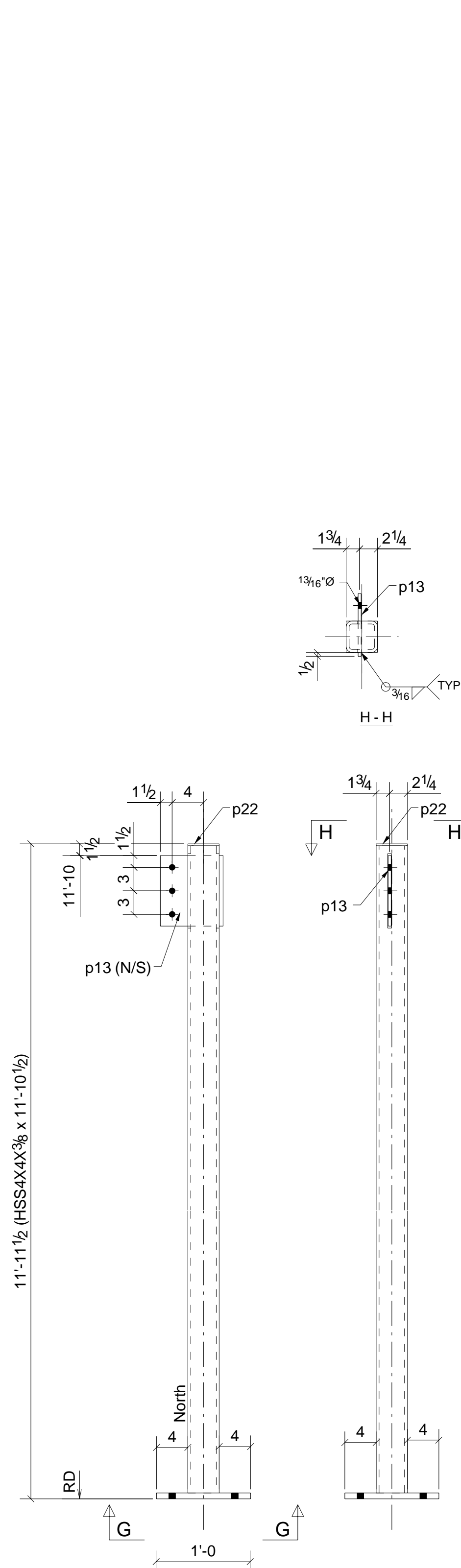
0	ISSUED FOR APPROVAL	03.05.18
REV	DESCRIPTION	DATE
D&R STEEL WORKS		
15385 HWY 90 E CASTROVILLE, TX 78009		
DESCRIPTION	HONDO MEDICAL CENTER	
PROJECT NAME	HONDO MEDICAL CENTER	
DRAWN BY	DW, LLC.	JOB No.
DATE DRAWN	03/02/2018	DRG No.
		6



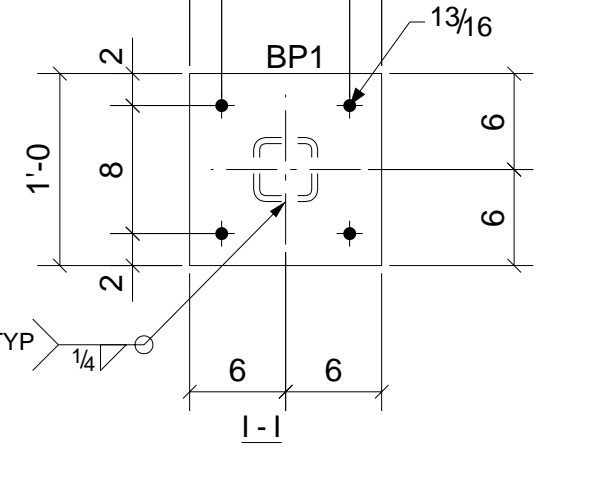
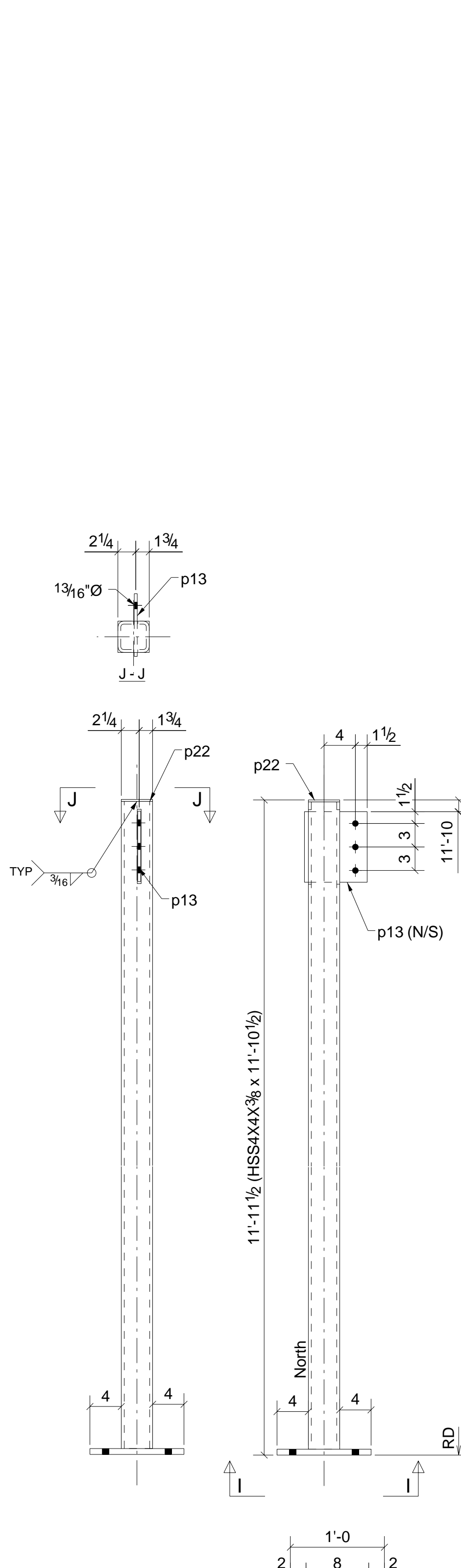
1 - COLUMN - 7C1



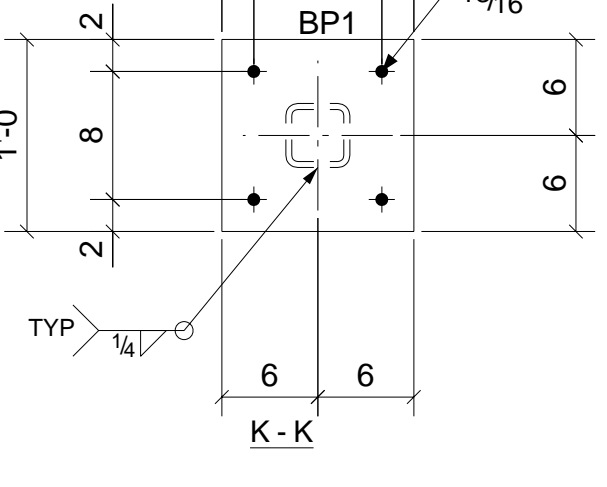
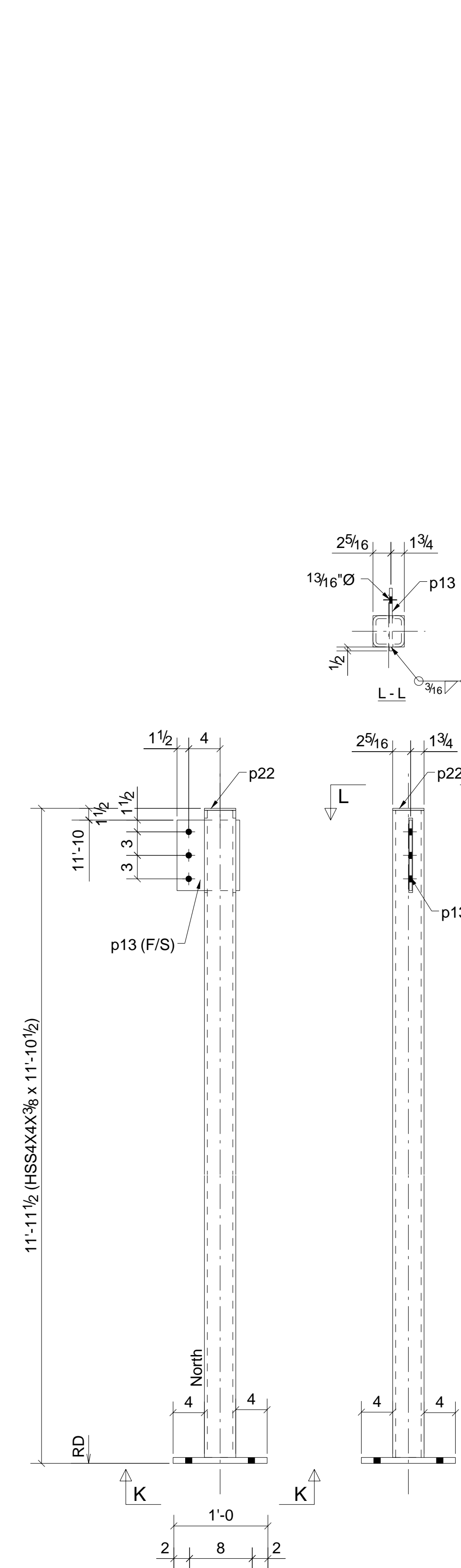
2 - COLUMN - 7C2



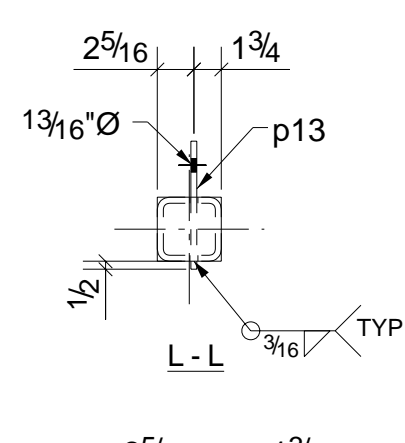
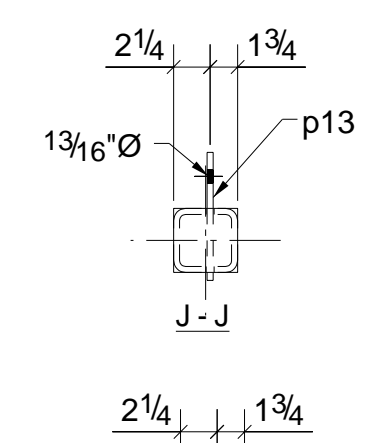
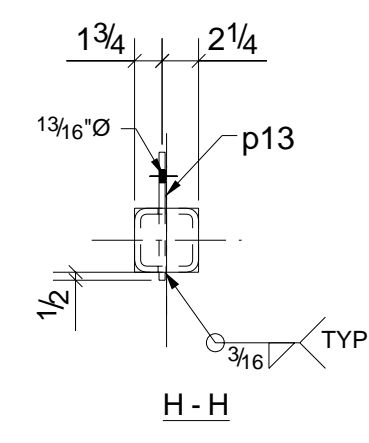
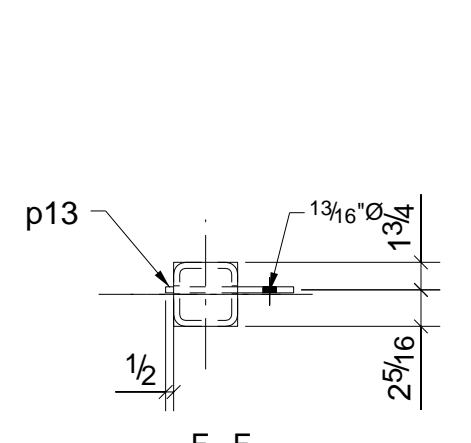
1 - COLUMN - 7C3



1 - COLUMN - 7C4



1 - COLUMN - 7C5

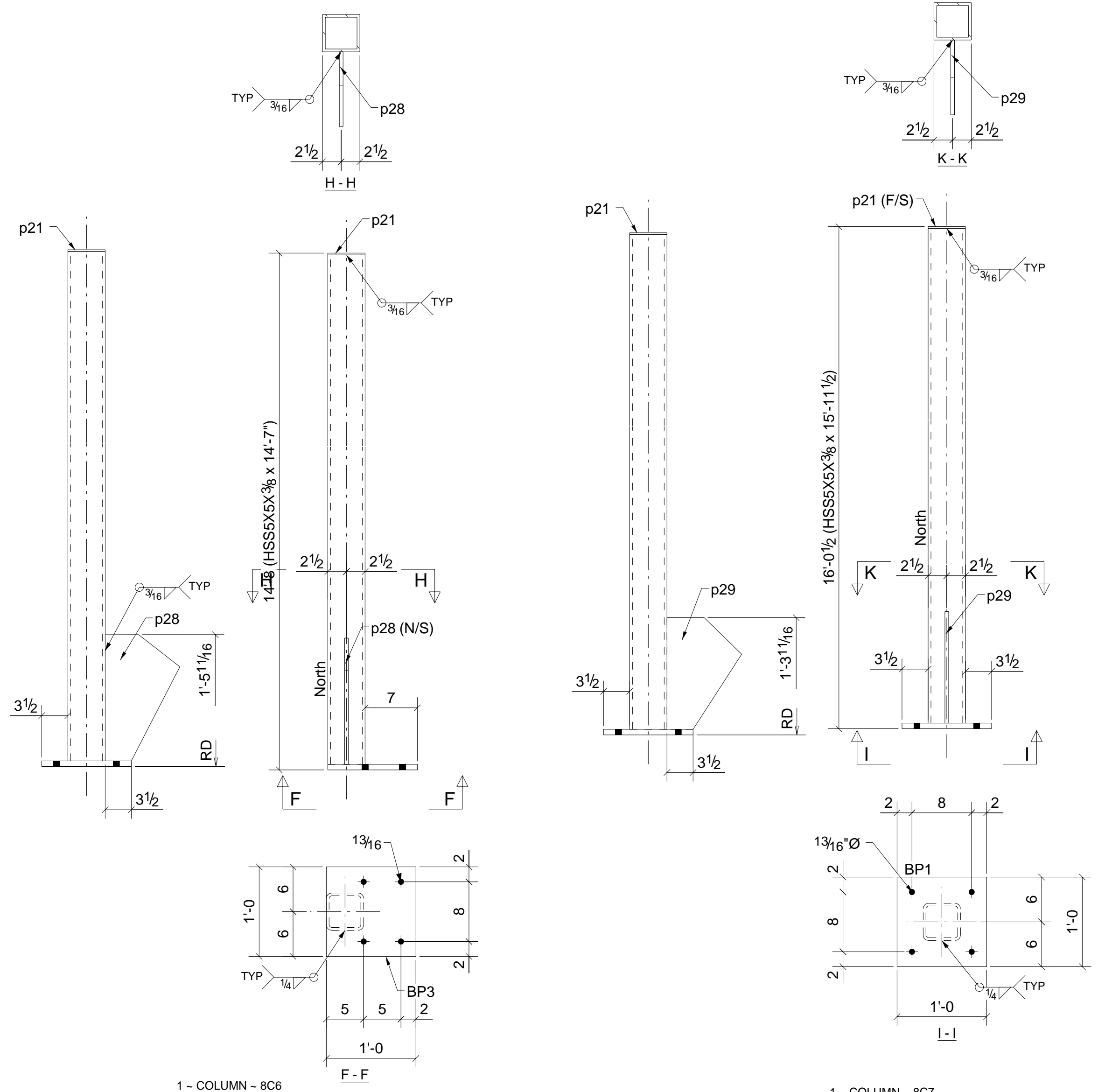
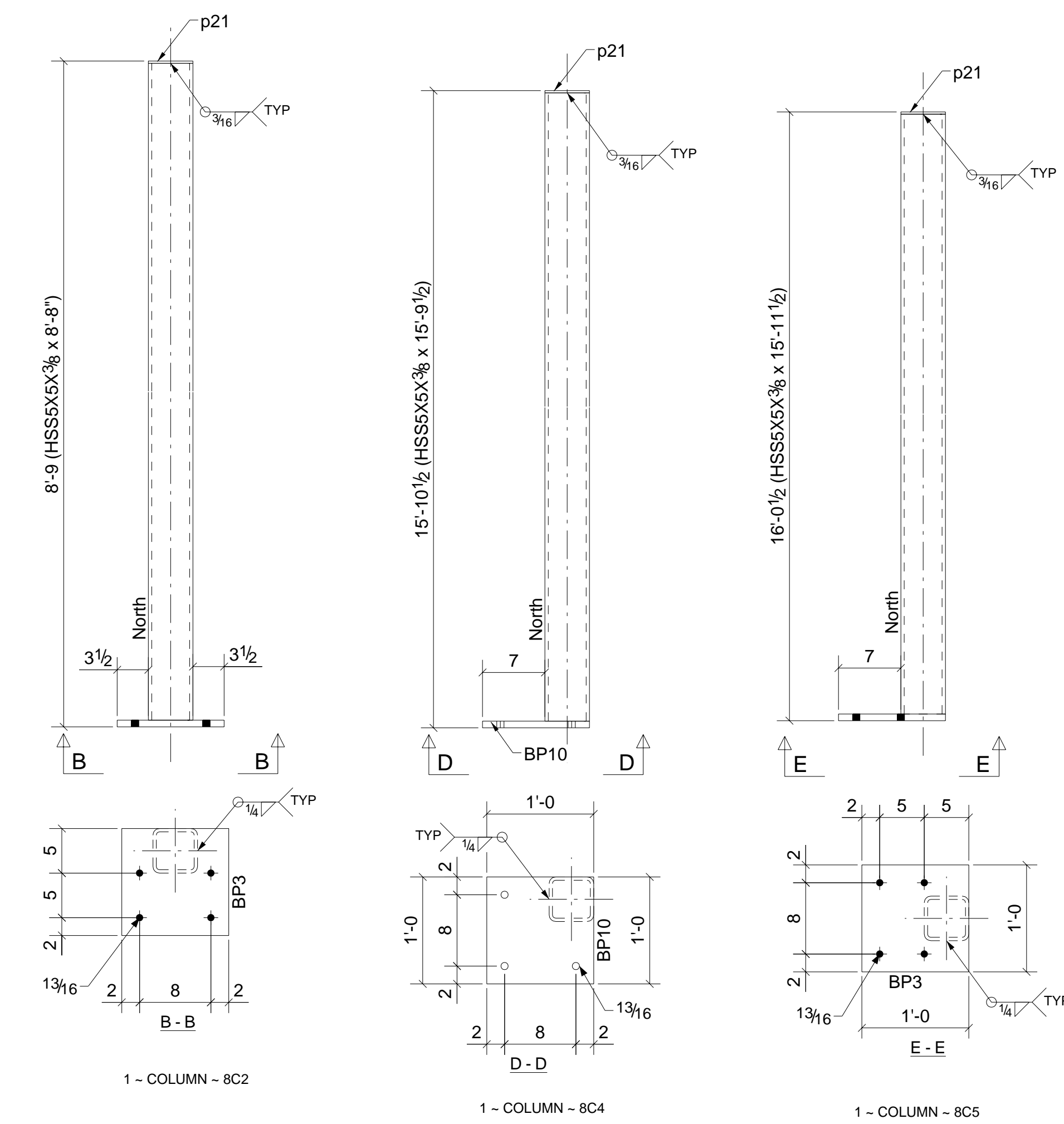
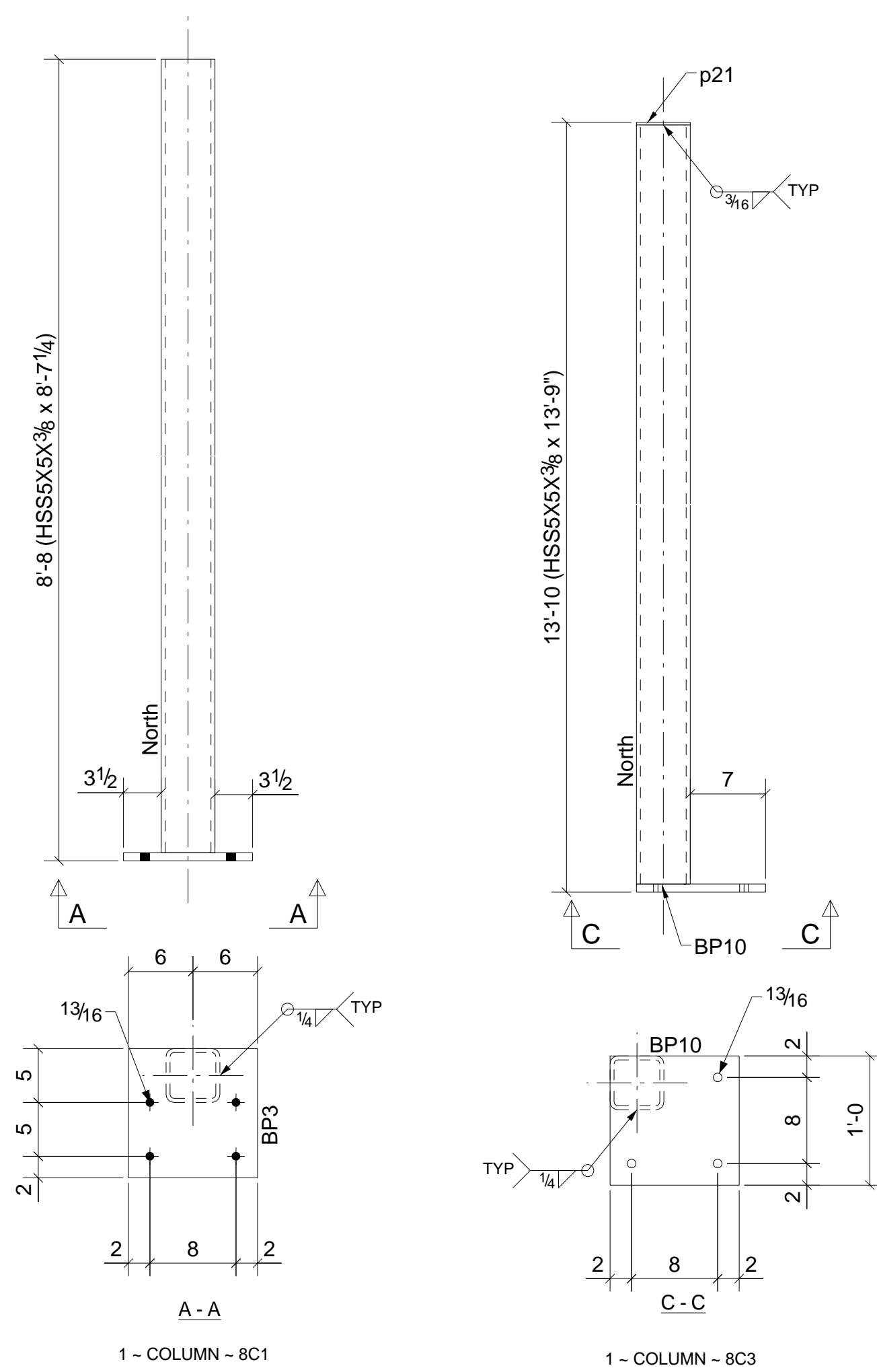


MARK	QTY	DESCRIPTION	LENGTH	WEIGHT	REMARKS
7C1	1	COLUMN			SO-2
7C1	1	HSS4x4x3/8	15'-5"	251	SHOP PRIMER A500-GR.B
BP1	1	FL3/4"x12"	1'-0"	31	A36
p12	1	FL3/8"x9"	0'-11"	11	A36
p13	1	FL3/8"x8"	0'-9"	8	A36
p14	2	FL3/8"x3 1/2"	0'-9"	7	A36
p22	1	FL1/4"x4"	0'-4"	1	A36
p62	1	FL3/8"x8"	1'-0"	10	SHOP PRIMER A36
7C2	2	COLUMNS			SO-2
7C2	2	HSS4x4x3/8	11'-10 1/2"	386	SHOP PRIMER A500-GR.B
BP1	2	FL3/4"x12"	1'-0"	61	A36
p13	2	FL3/8"x8"	0'-9"	15	A36
p22	2	FL1/4"x4"	0'-4"	2	A36
7C3	1	COLUMN			SO-2
7C3	1	HSS4x4x3/8	11'-10 1/2"	193	SHOP PRIMER A500-GR.B
BP1	1	FL3/4"x12"	1'-0"	31	A36
p13	1	FL3/8"x8"	0'-9"	8	A36
p22	1	FL1/4"x4"	0'-4"	1	A36
7C4	1	COLUMN			SO-2
7C4	1	HSS4x4x3/8	11'-10 1/2"	193	SHOP PRIMER A500-GR.B
BP1	1	FL3/4"x12"	1'-0"	31	A36
p13	1	FL3/8"x8"	0'-9"	8	A36
p22	1	FL1/4"x4"	0'-4"	1	A36
7C5	1	COLUMN			SO-2
7C5	1	HSS4x4x3/8	11'-10 1/2"	193	SHOP PRIMER A500-GR.B
BP1	1	FL3/4"x12"	1'-0"	31	A36
p13	1	FL3/8"x8"	0'-9"	8	A36
p22	1	FL1/4"x4"	0'-4"	1	A36
				TOTAL WEIGHT THIS DRAWING	1480

0	ISSUED FOR APPROVAL	03.05.18
REV	DESCRIPTION	DATE

D&R STEEL WORKS
 15385 HWY 90 E
 CASTROVILLE, TX 78009

DESCRIPTION	HONDO MEDICAL CENTER	
DRAWN BY	DW, LLC.	JOB No.
DATE DRAWN	03/02/2018	DRG No.



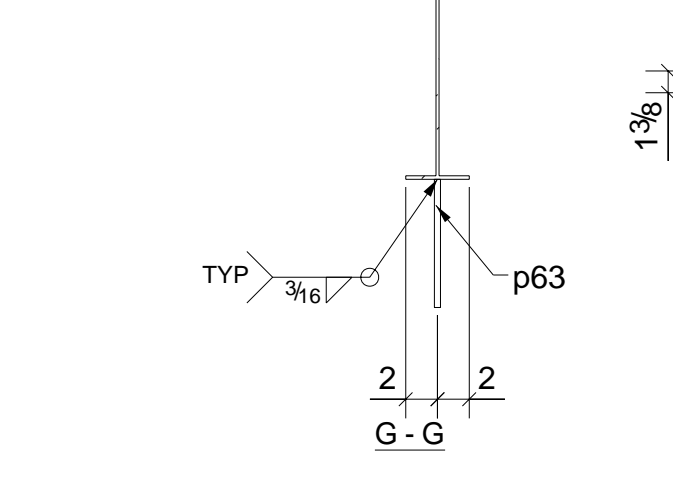
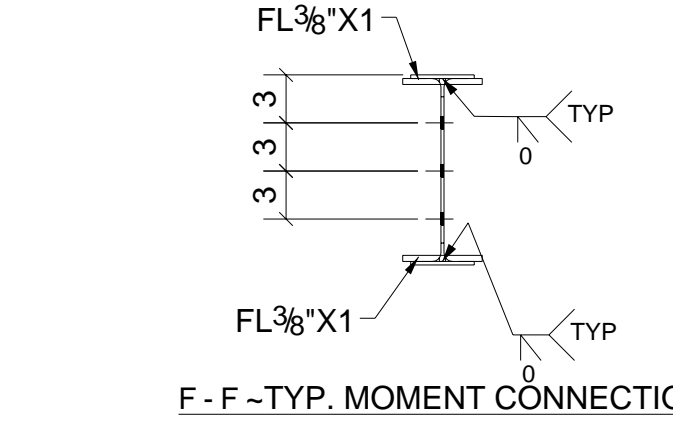
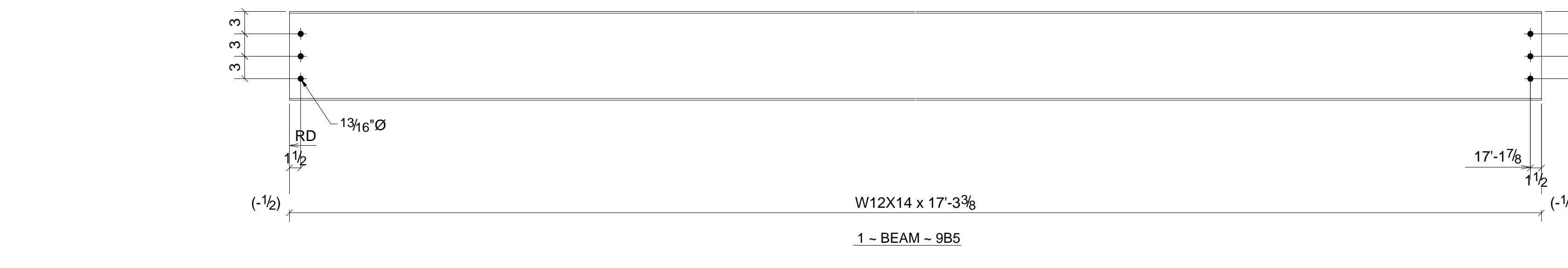
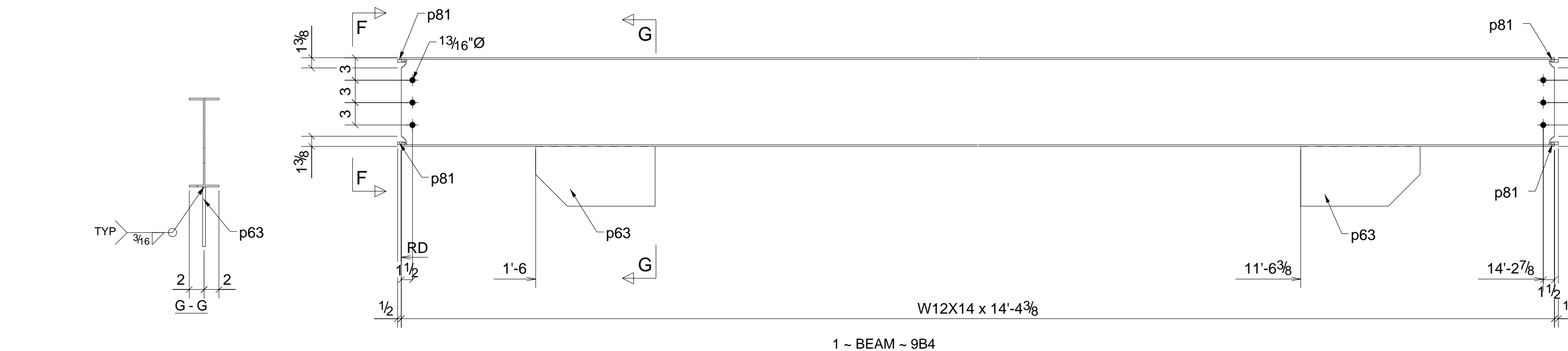
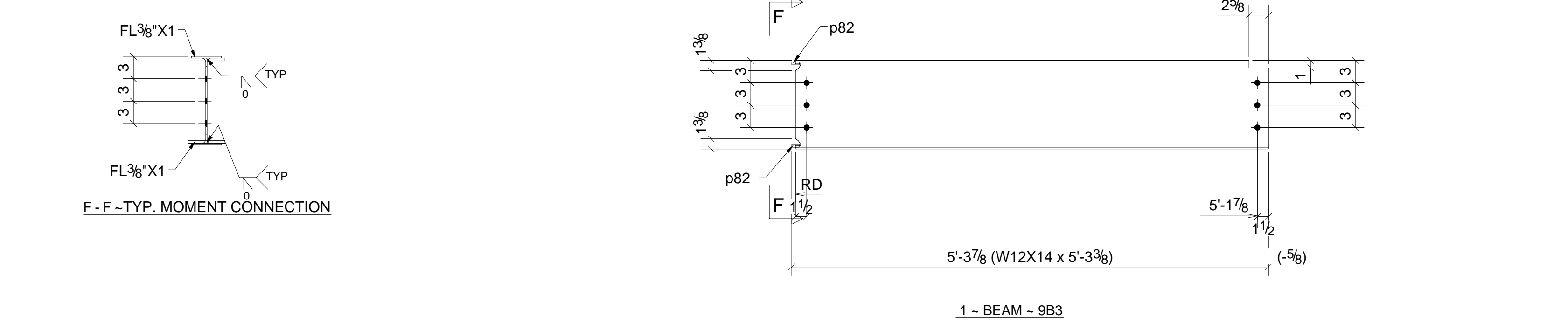
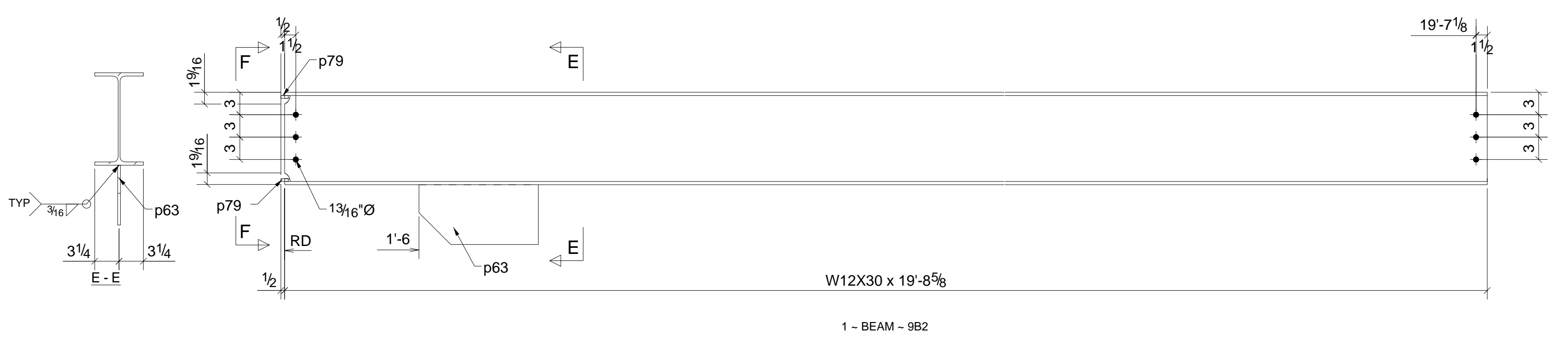
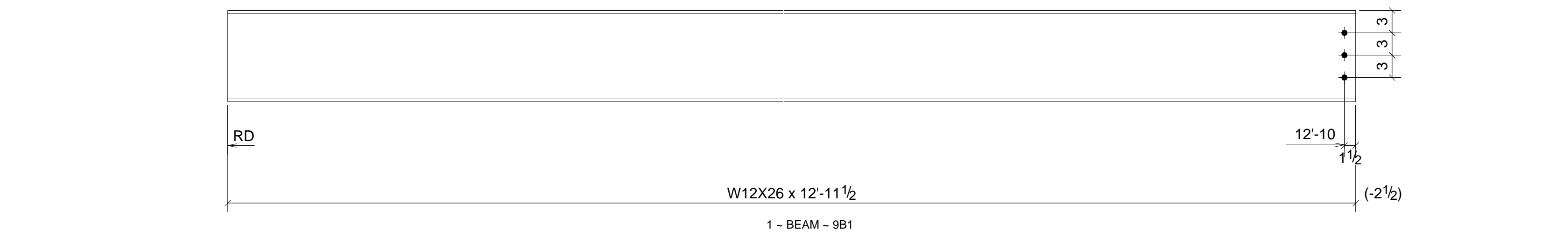
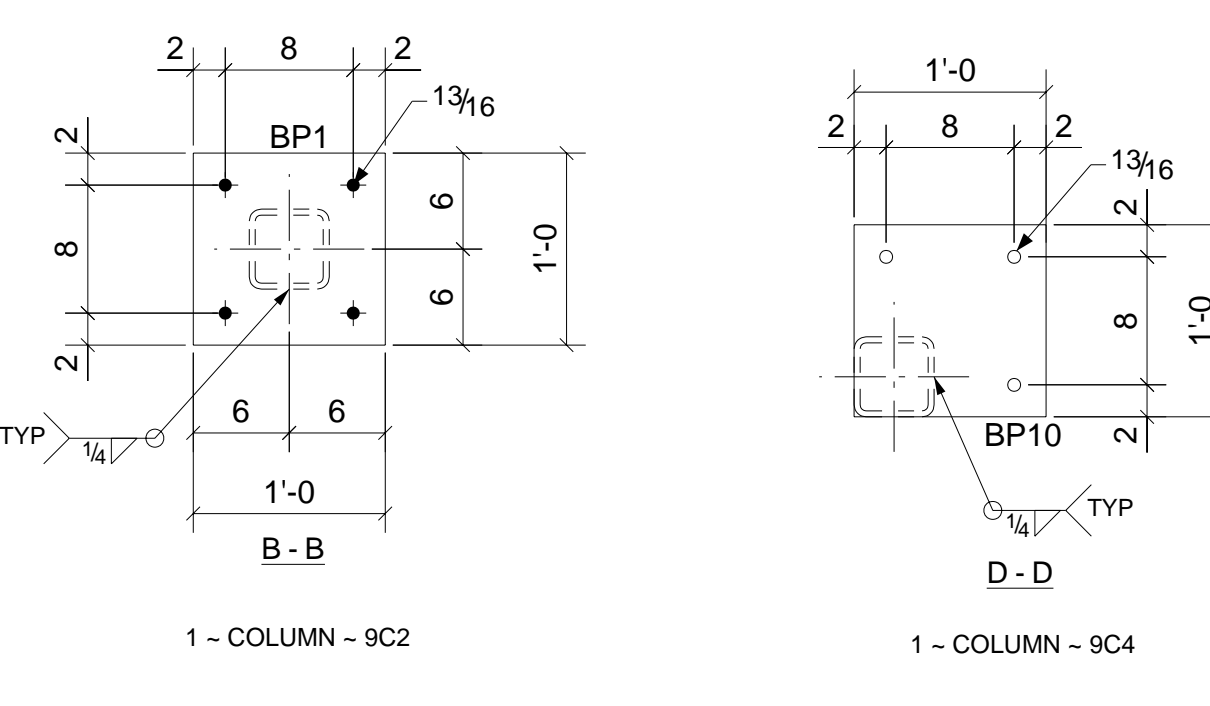
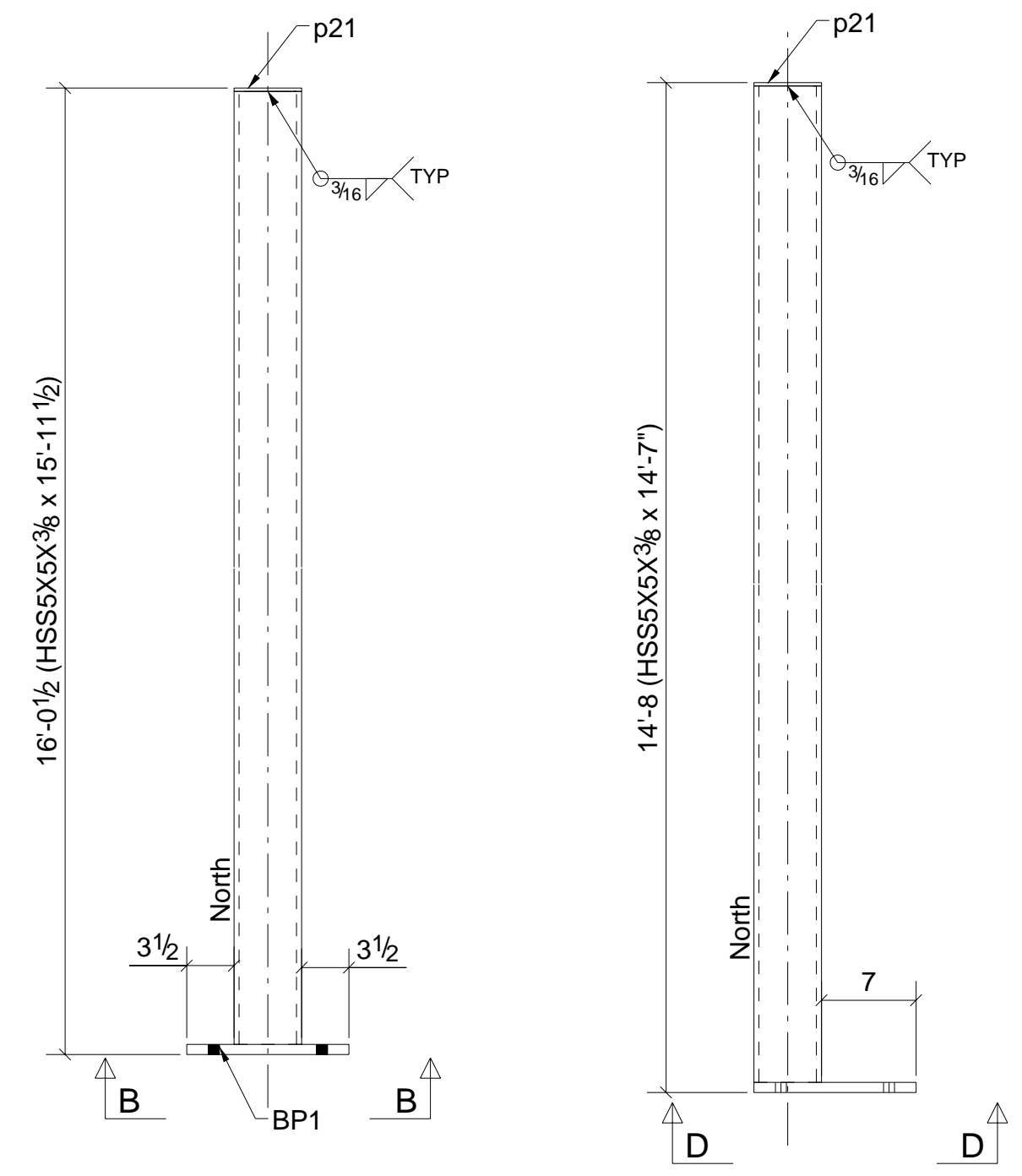
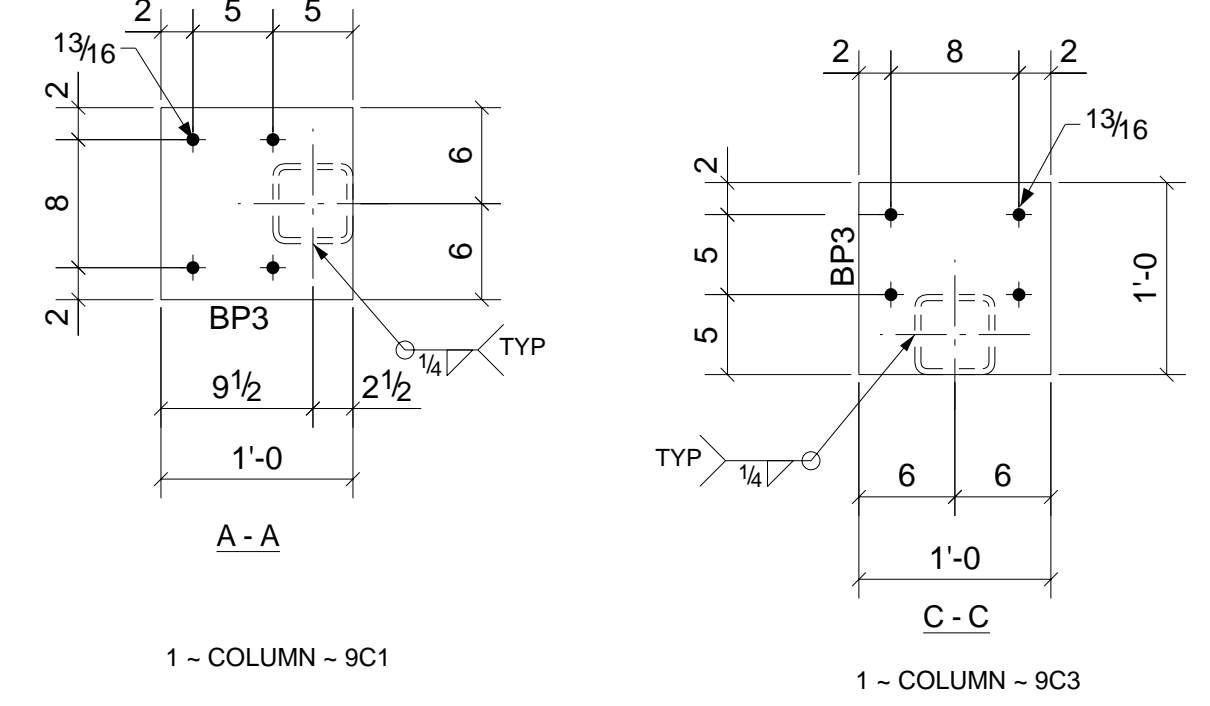
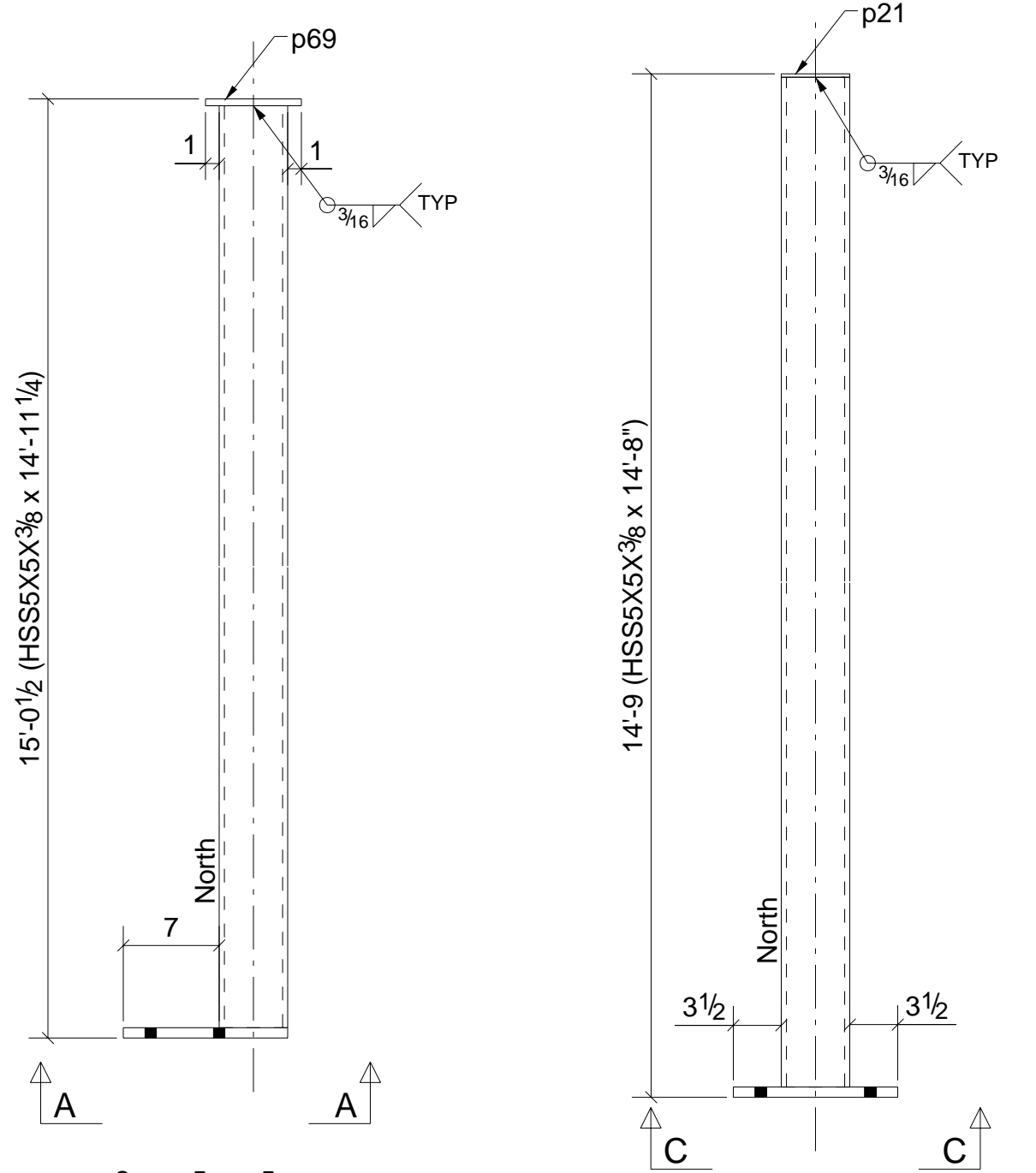
BILL OF MATERIAL					
MARK	QTY	DESCRIPTION	LENGTH	WEIGHT	REMARKS
8C1	1	COLUMN			SO-2
8C1	1	HSS5x5x3/8	8'-7 1/4"	181	SHOP PRIMER A500-GR.B
BP3	1	FL3/4"x12"	1'-0"	31	A36
8C2	1	COLUMN			SO-2
8C2	1	HSS5x5x3/8	8'-8"	182	SHOP PRIMER A500-GR.B
BP3	1	FL3/4"x12"	1'-0"	31	A36
p21	1	FL1/4"x5"	0'-5"	2	A36
8C3	1	COLUMN			SO-2
8C3	1	HSS5x5x3/8	13'-9"	289	SHOP PRIMER A500-GR.B
BP10	1	FL3/4"x12"	1'-0"	30	A36
p21	1	FL1/4"x5"	0'-5"	2	A36
8C4	1	COLUMN			SO-2
8C4	1	HSS5x5x3/8	15'-9 1/2"	332	SHOP PRIMER A500-GR.B
BP10	1	FL3/4"x12"	1'-0"	30	A36
p21	1	FL1/4"x5"	0'-5"	2	A36
8C5	1	COLUMN			SO-2
8C5	1	HSS5x5x3/8	15'-11 1/2"	336	SHOP PRIMER A500-GR.B
BP3	1	FL3/4"x12"	1'-0"	31	A36
p21	1	FL1/4"x5"	0'-5"	2	A36
8C6	1	COLUMN			SO-2
8C6	1	HSS5x5x3/8	14'-7"	307	SHOP PRIMER A500-GR.B
BP3	1	FL3/4"x12"	1'-0"	31	A36
p21	1	FL1/4"x5"	0'-5"	2	A36
p28	1	FL1/2"x10"	1'-4 15/16"	16	SHOP PRIMER A36
8C7	1	COLUMN			SO-2
8C7	1	HSS5x5x3/8	15'-11 1/2"	336	SHOP PRIMER A500-GR.B
BP1	1	FL3/4"x12"	1'-0"	31	A36
p21	1	FL1/4"x5"	0'-5"	2	A36
p29	1	FL1/2"x10"	1'-2 15/16"	15	SHOP PRIMER A36
TOTAL WEIGHT THIS DRAWING				2218	

0	ISSUED FOR APPROVAL	03.05.18
REV	DESCRIPTION	DATE
D&R STEEL WORKS		
15385 HWY 90 E CASTROVILLE, TX 78009		
DESCRIPTION	HONDO MEDICAL CENTER	
PROJECT NAME	DW, LLC.	
DRAWN BY	03/02/2018	JOB No.
DATE DRAWN		DRG No.
		8

Tells structures

BILL OF MATERIAL

MARK	QTY	DESCRIPTION	LENGTH	WEIGHT	REMARKS
9B1	1	BEAM			SO-2
9B1	1	W12X26	12'-11 1/2"	337	SHOP PRIMER A36
	3	3/4"Ø A325N BOLT	0'-1 3/4"		Site
9B2	1	BEAM			SO-2
9B2	1	W12X30	19'-8 5/8"	590	SHOP PRIMER A36
p63	1	FL3/8"X8"	1'-4"	13	SHOP PRIMER A36
p79	2	FL3/8"X1"	0'-7 1/2"	2	A36
	6	3/4"Ø A325N BOLT	0'-1 3/4"		Site
9B3	1	BEAM			SO-2
9B3	1	W12X14	5'-3 3/8"	75	SHOP PRIMER A36
p82	2	FL3/8"X1"	0'-5"	1	A36
	6	3/4"Ø A325N BOLT	0'-1 3/4"		Site
9B4	1	BEAM			SO-2
9B4	1	W12X14	14'-4 3/8"	203	SHOP PRIMER A36
p63	2	FL3/8"X8"	1'-4"	25	SHOP PRIMER A36
p81	4	FL3/8"X1"	0'-4"	2	A36
	6	3/4"Ø A325N BOLT	0'-1 3/4"		Site
9B5	1	BEAM			SO-2
9B5	1	W12X14	17'-3 3/8"	245	SHOP PRIMER A36
	6	3/4"Ø A325N BOLT	0'-1 3/4"		Site
9C1	1	COLUMN			SO-2
9C1	1	HSS5X5X3/8	14'-11 1/4"	314	SHOP PRIMER A500-GR.B
BP3	1	FL3/4"X12"	1'-0"	31	A36
p69	1	FL1/2"X6"	0'-7"	6	A36
9C2	1	COLUMN			SO-2
9C2	1	HSS5X5X3/8	15'-11 1/2"	336	SHOP PRIMER A500-GR.B
BP1	1	FL3/4"X12"	1'-0"	31	A36
p21	1	FL1/4"X5"	0'-5"	2	A36
9C3	1	COLUMN			SO-2
9C3	1	HSS5X5X3/8	14'-8"	308	SHOP PRIMER A500-GR.B
BP3	1	FL3/4"X12"	1'-0"	31	A36
p21	1	FL1/4"X5"	0'-5"	2	A36
9C4	1	COLUMN			SO-2
9C4	1	HSS5X5X3/8	14'-7"	307	SHOP PRIMER A500-GR.B
BP10	1	FL3/4"X12"	1'-0"	30	A36
p21	1	FL1/4"X5"	0'-5"	2	A36
TOTAL WEIGHT THIS DRAWING				2891	



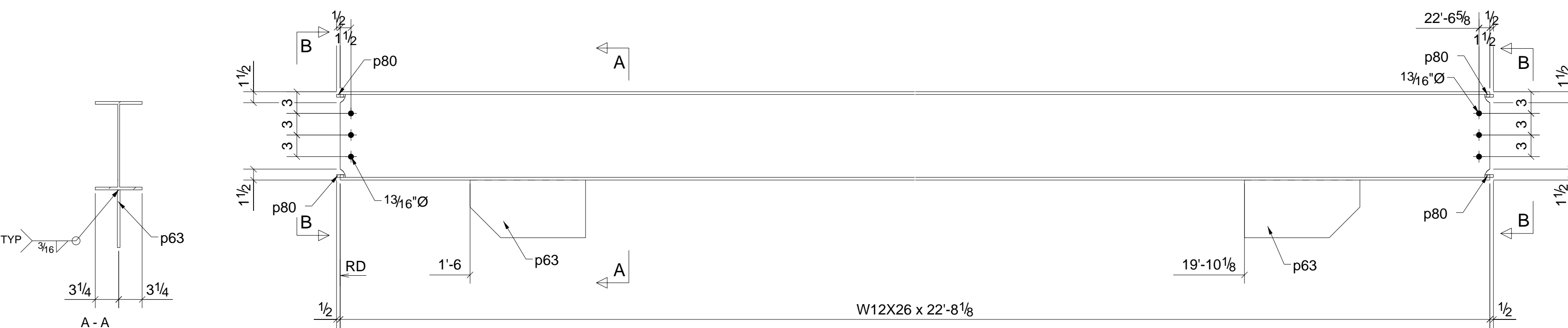
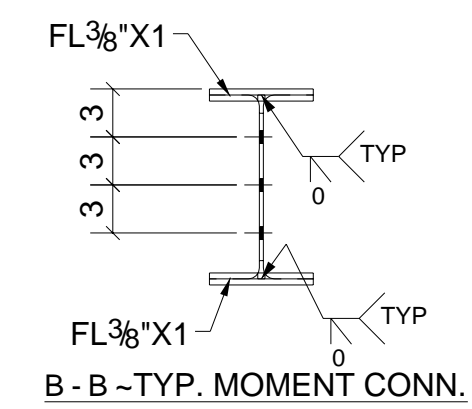
0	ISSUED FOR APPROVAL	03.05.18
REV	DESCRIPTION	DATE

D&R STEEL WORKS
 15385 HWY 90 E
 CASTROVILLE, TX 78009

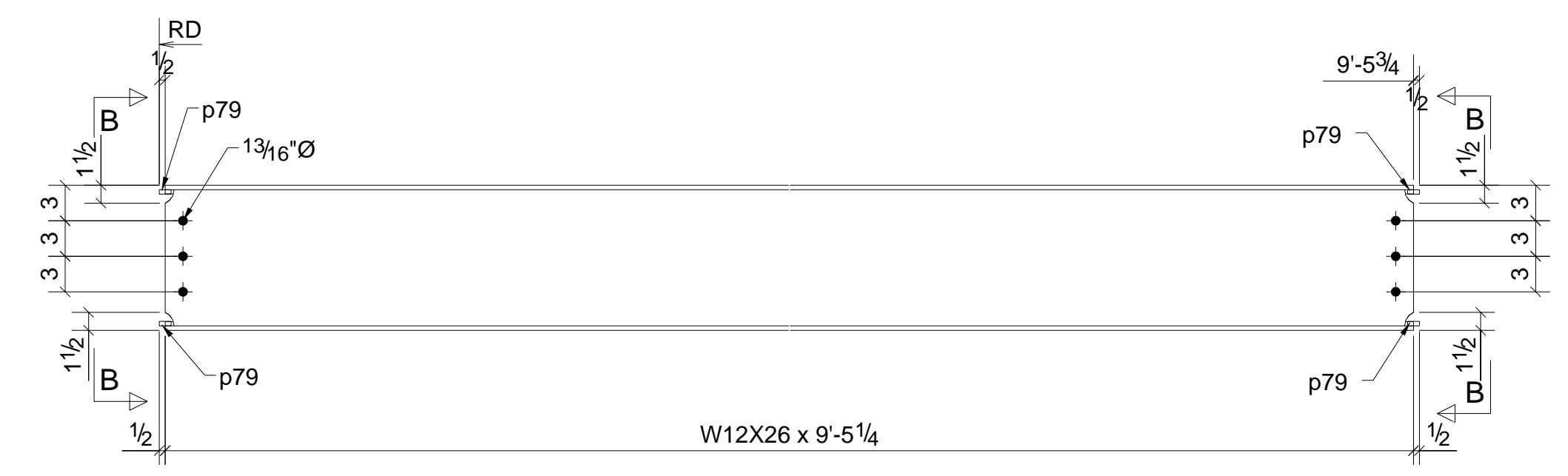
DESCRIPTION	HONDO MEDICAL CENTER		
PROJECT NAME	HONDO MEDICAL CENTER		
DRAWN BY	DW, LLC.	JOB No.	DRG No.
DATE DRAWN	03/02/2018		9

BILL OF MATERIAL

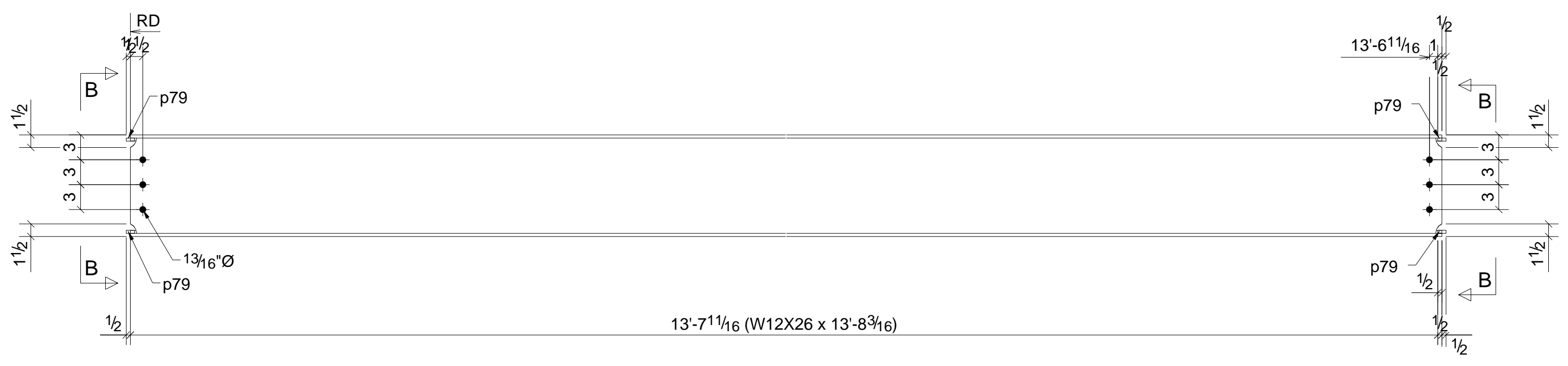
MARK	QTY	DESCRIPTION	LENGTH	WEIGHT	REMARKS
10B1	1	BEAM			SO-2
10B1	1	W12X26	22'-8 1/8"	590	SHOP PRIMER A36
p83	2	FL3/8"X8"	1'-4"	25	SHOP PRIMER A36
p80	4	FL3/8"X1"	0'-6 1/2"	3	A36
	6	3/4"Ø A325N BOLT	0'-1 3/4"		Site
10B2	2	BEAMS			SO-2
10B2	2	W12X26	9'-5 1/4"	491	SHOP PRIMER A36
p79	8	FL3/8"X1"	0'-7 1/2"	6	A36
	12	3/4"Ø A325N BOLT	0'-1 3/4"		Site
10B3	1	BEAM			SO-2
10B3	1	W12X26	13'-8 3/16"	356	SHOP PRIMER A36
p79	4	FL3/8"X1"	0'-7 1/2"	3	A36
	6	3/4"Ø A325N BOLT	0'-1 3/4"		Site
10B4	1	BEAM			SO-2
10B4	1	W12X26	6'-0 1/2"	157	SHOP PRIMER A36
p79	2	FL3/8"X1"	0'-7 1/2"	2	A36
p80	2	FL3/8"X1"	0'-6 1/2"	1	A36
	6	3/4"Ø A325N BOLT	0'-1 3/4"		Site
10B5	1	BEAM			SO-2
10B5	1	W12X14	17'-4"	245	SHOP PRIMER A36
p81	2	FL3/8"X1"	0'-4"	1	A36
p82	2	FL3/8"X1"	0'-5"	1	A36
	6	3/4"Ø A325N BOLT	0'-1 3/4"		Site
10B6	3	BEAMS			SO-2
10B6	3	HSS12X6X5/16	8'-3 3/4"	842	SHOP PRIMER A500-GR.B
10B7	3	BEAMS			SO-2
10B7	3	HSS12X6X5/16	14'-5 3/4"	1466	SHOP PRIMER A500-GR.B
10B8	1	BEAM			SO-2
10B8	1	HSS10X5X5/16	12'-6"	348	SHOP PRIMER A500-GR.B
10B9	1	BEAM			SO-2
10B9	1	HSS12X6X5/16	9'-1"	307	SHOP PRIMER A500-GR.B
TOTAL WEIGHT THIS DRAWING				4846	



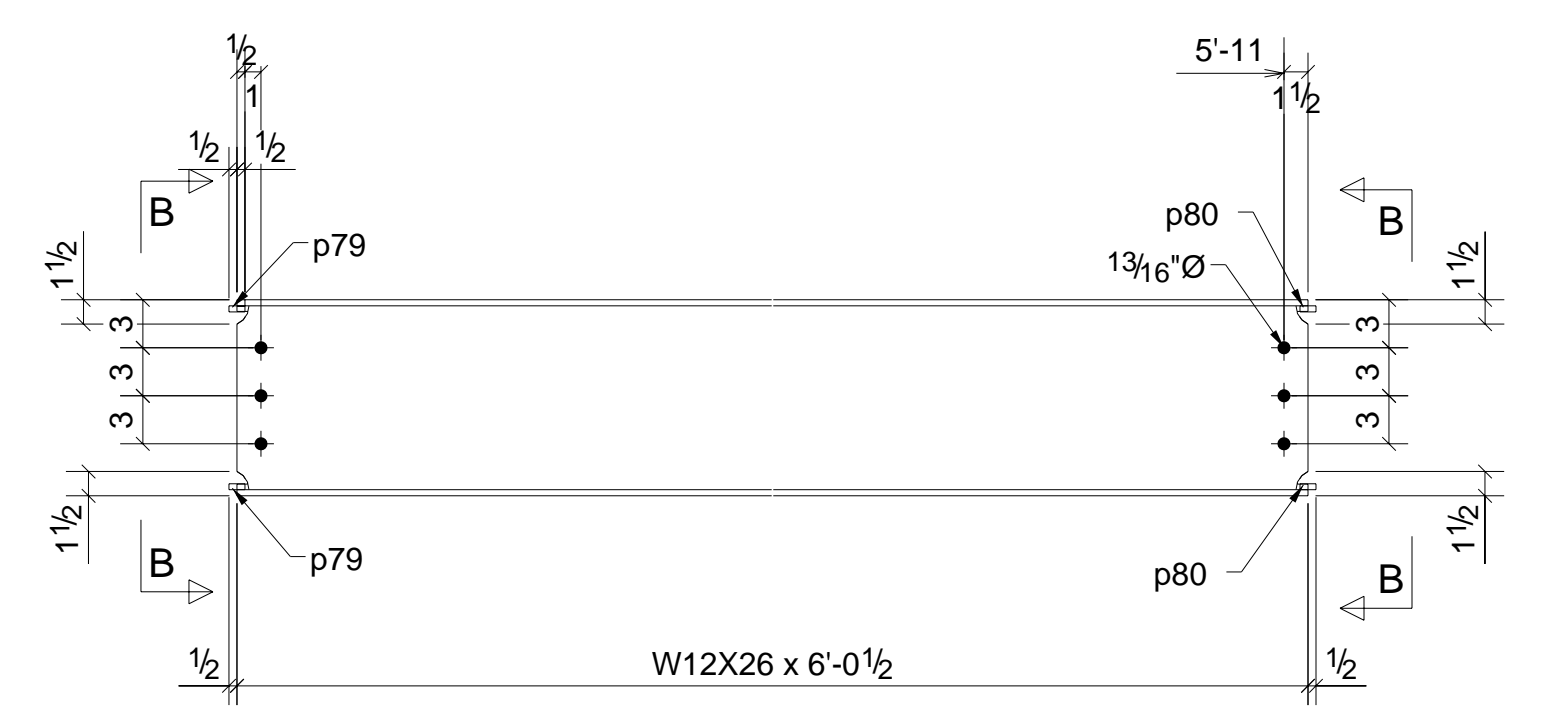
1 - BEAM - 10B1



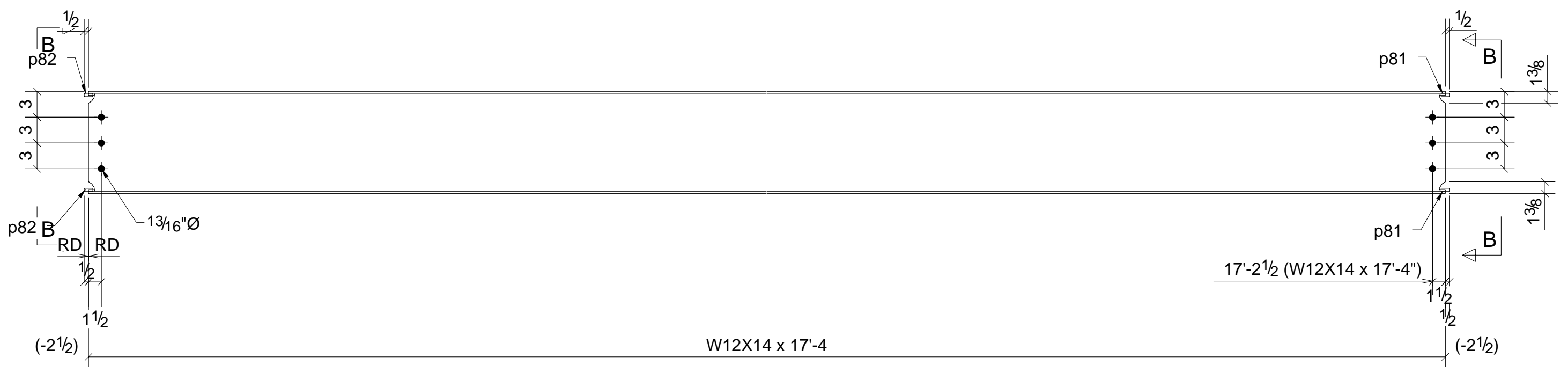
2 - BEAM - 10B2



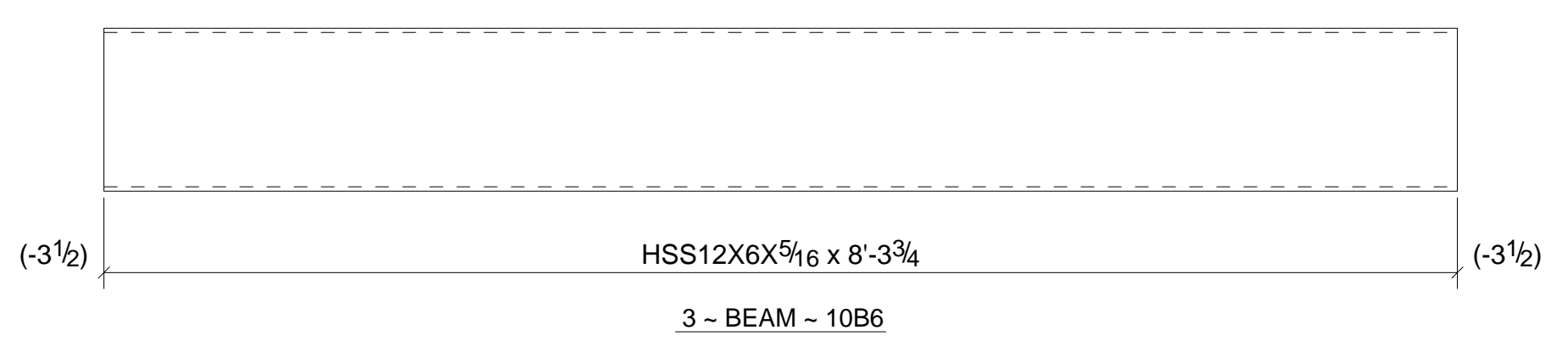
1 - BEAM - 10B3



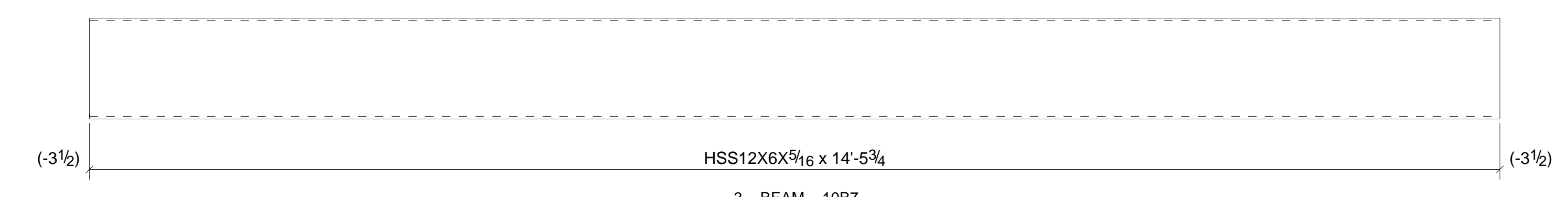
1 - BEAM - 10B4



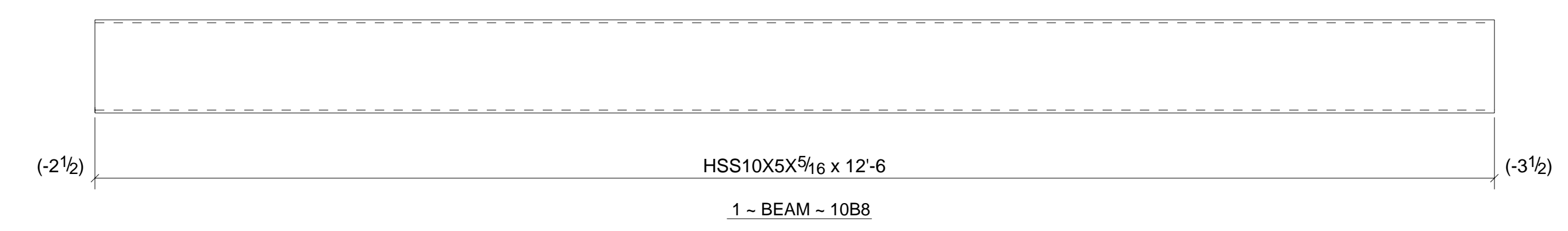
1 - BEAM - 10B5



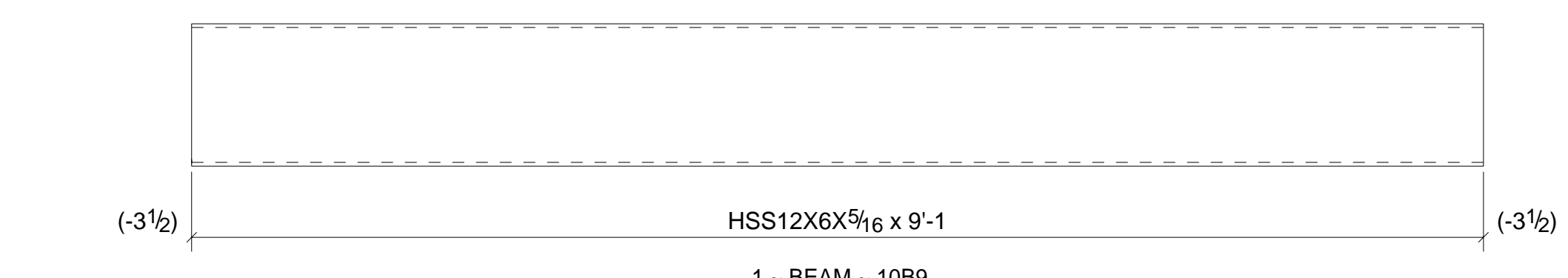
3 - BEAM - 10B6



3 - BEAM - 10B7



1 - BEAM - 10B8



1 - BEAM - 10B9

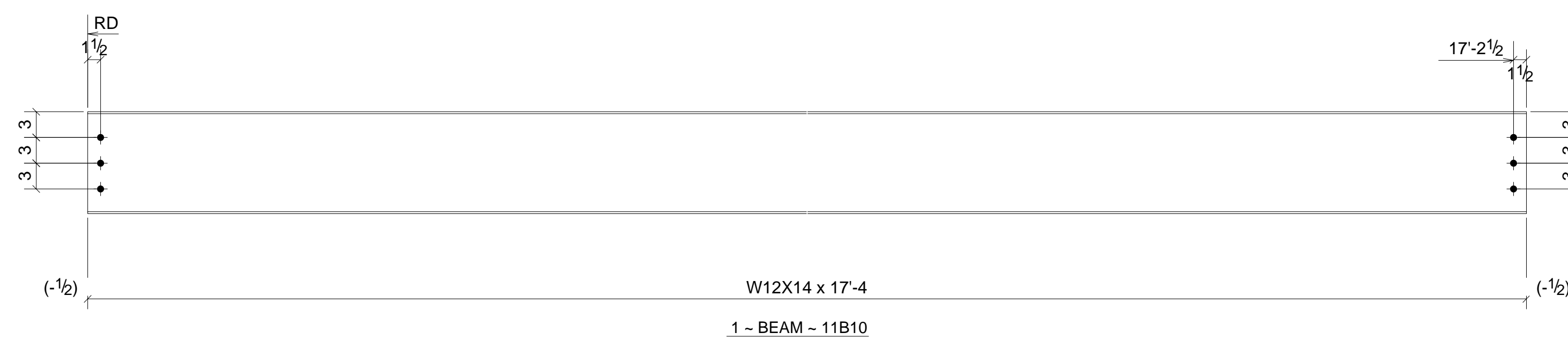
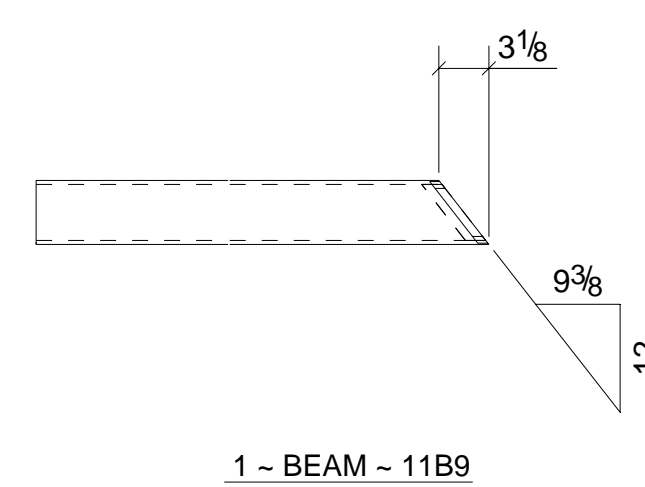
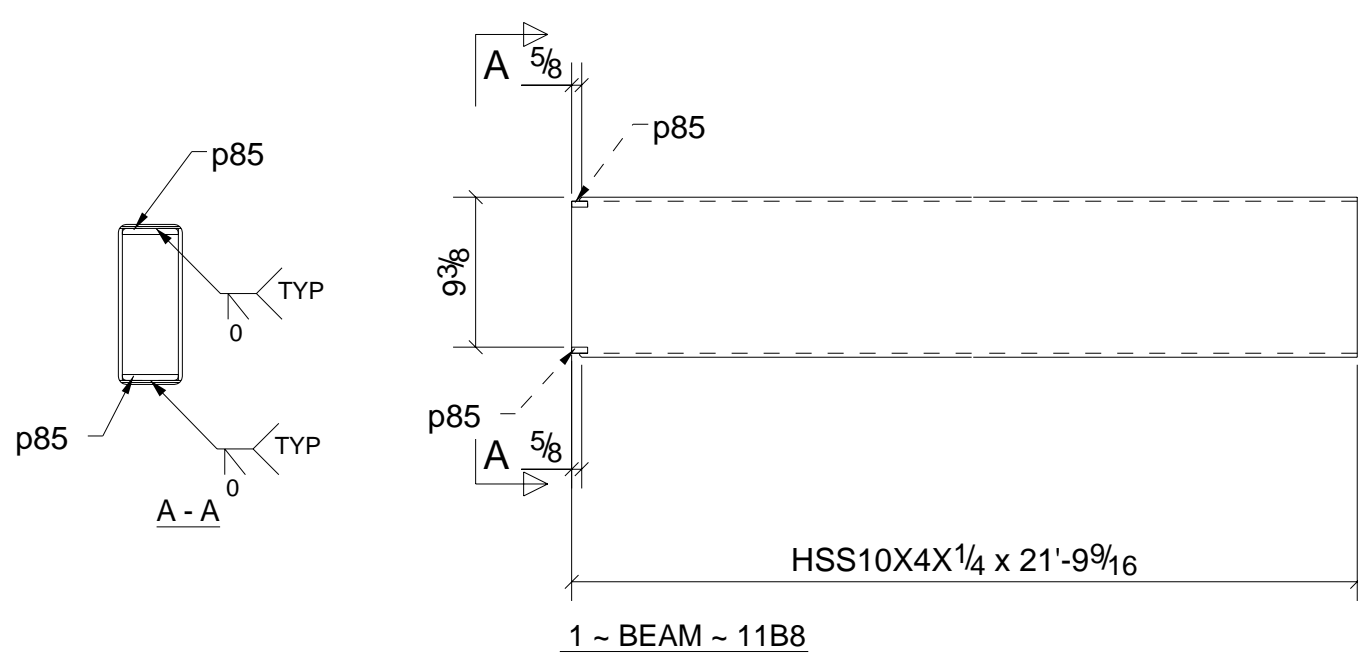
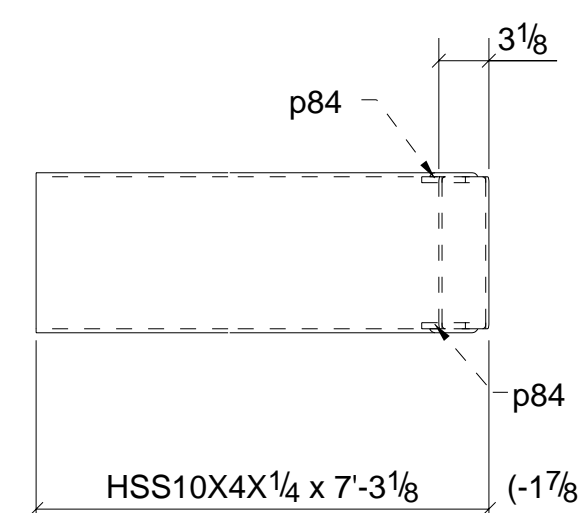
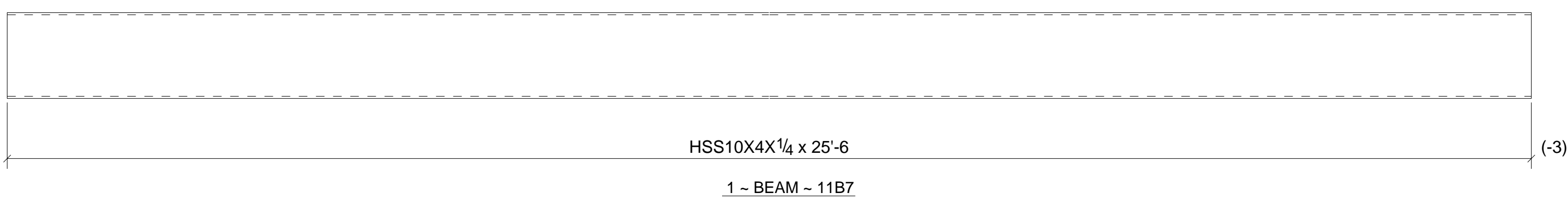
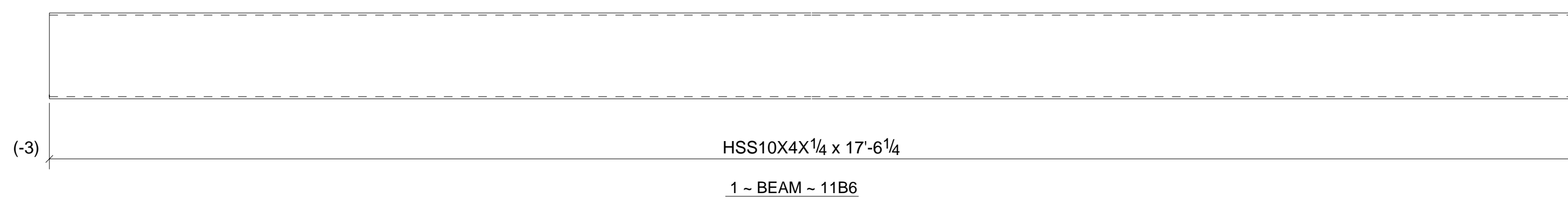
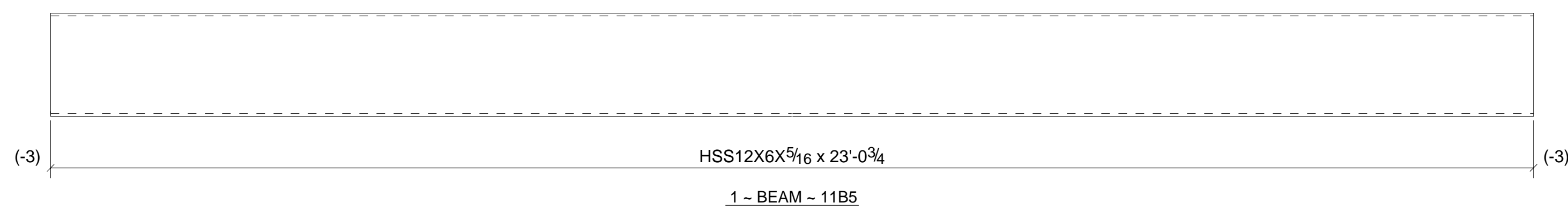
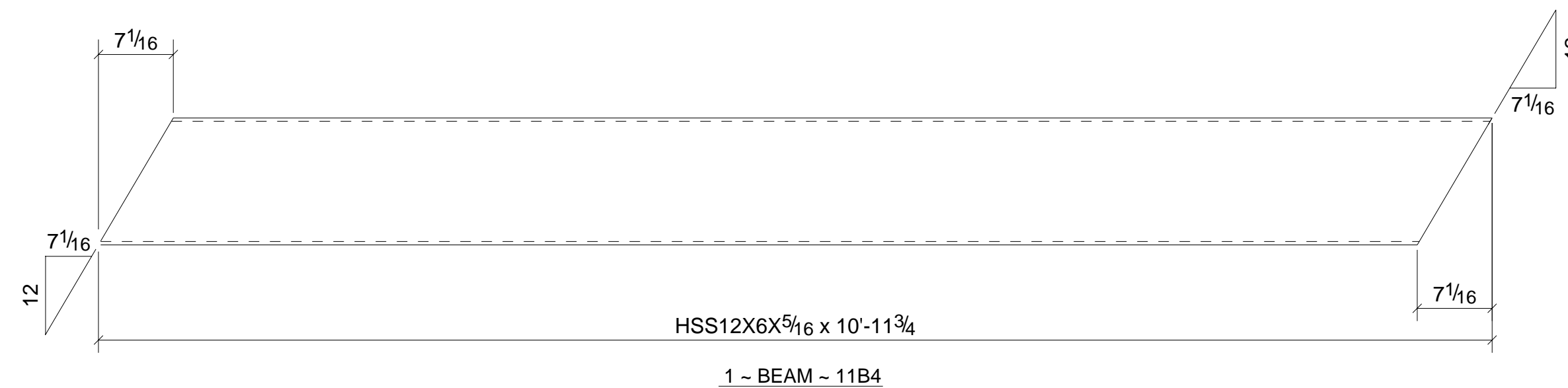
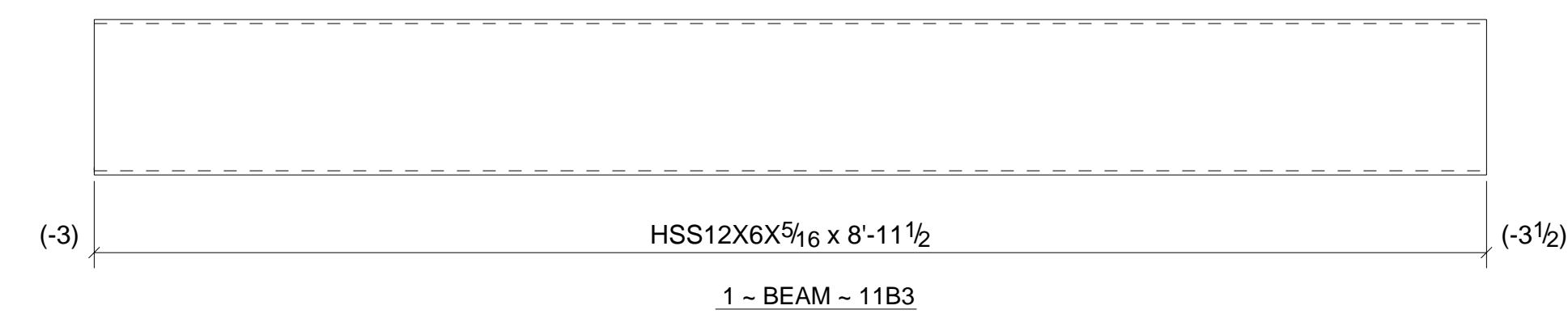
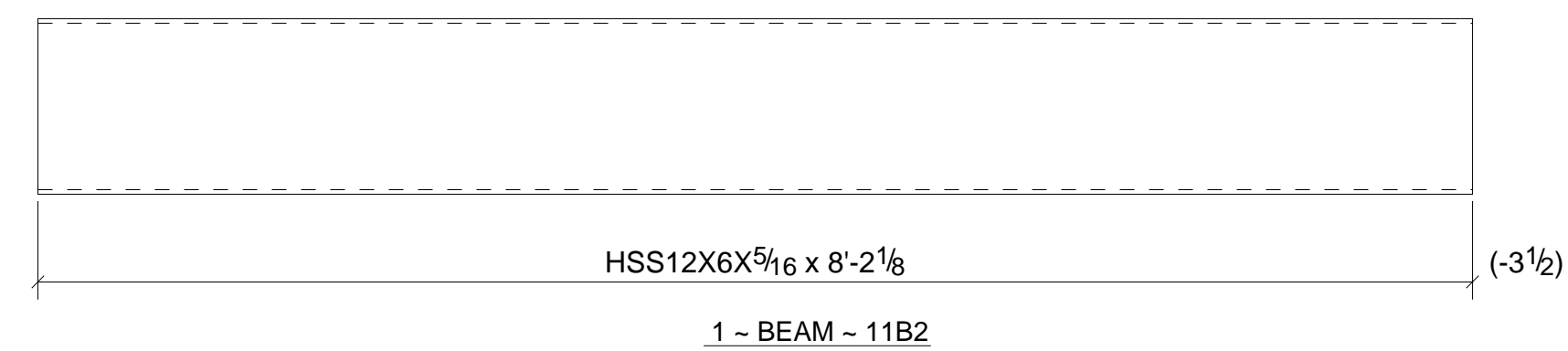
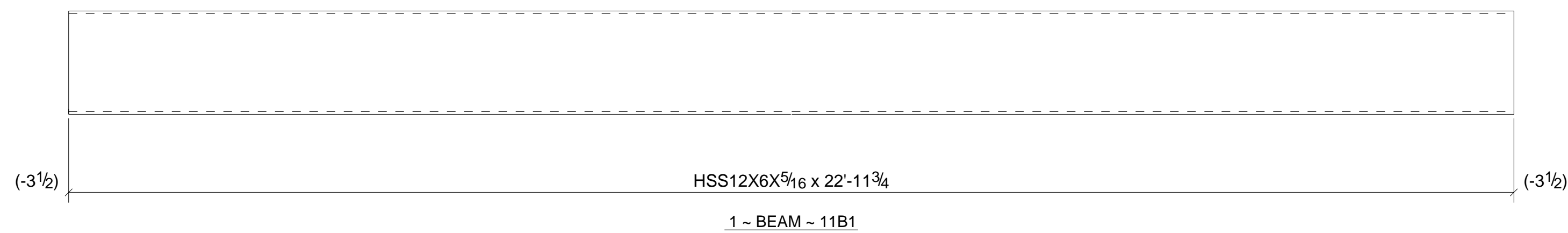
0	ISSUED FOR APPROVAL	03.05.18
REV	DESCRIPTION	DATE

D&R STEEL WORKS
 15385 HWY 90 E
 CASTROVILLE, TX 78009

DESCRIPTION	HONDO MEDICAL CENTER		
PROJECT NAME	HONDO MEDICAL CENTER		
DRAWN BY	DW, LLC.	JOB No.	DRG No.
DATE DRAWN	03/02/2018		10

BILL OF MATERIAL

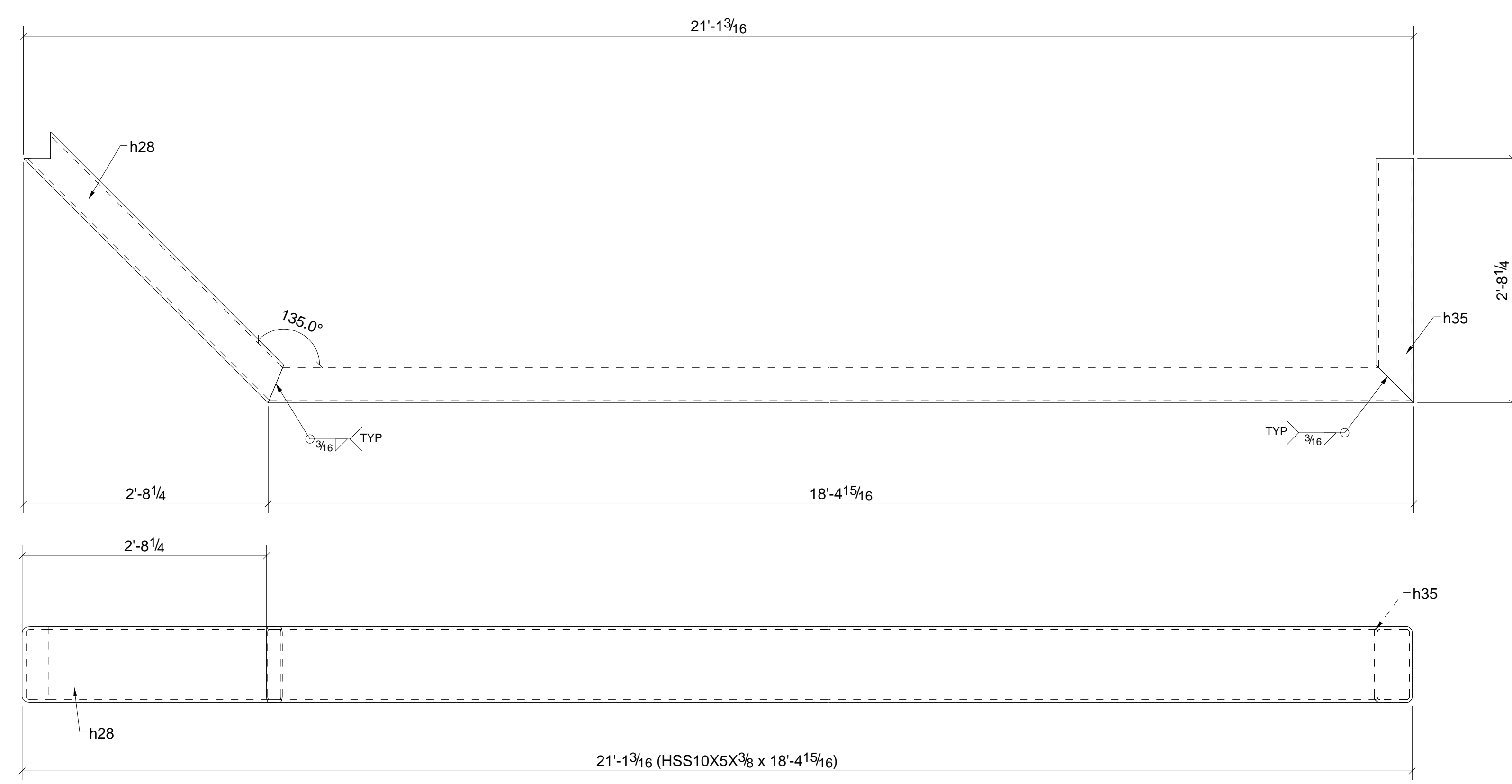
MARK	QTY	DESCRIPTION	LENGTH	WEIGHT	REMARKS
11B1	1	BEAM			SO-2
11B1	1	HSS12X6X5/16	22'-11 3/4"	776	SHOP PRIMER A500-GR.B
11B2	1	BEAM			SO-2
11B2	1	HSS12X6X5/16	8'-2 1/8"	276	SHOP PRIMER A500-GR.B
11B3	1	BEAM			SO-2
11B3	1	HSS12X6X5/16	8'-11 1/2"	302	SHOP PRIMER A500-GR.B
11B4	1	BEAM			BEV-2
11B4	1	HSS12X6X5/16	10'-11 3/4"	371	SHOP PRIMER A500-GR.B
11B5	1	BEAM			SO-2
11B5	1	HSS12X6X5/16	23'-0 3/4"	779	SHOP PRIMER A500-GR.B
11B6	1	BEAM			SO-2
11B6	1	HSS10X4X1/4	17'-6 1/4"	368	SHOP PRIMER A500-GR.B
11B7	1	BEAM			SO-2
11B7	1	HSS10X4X1/4	25'-6"	535	SHOP PRIMER A500-GR.B
11B8	1	BEAM			SO-2
11B8	1	HSS10X4X1/4	21'-9 9/16"	458	SHOP PRIMER A500-GR.B
p85	2	FL3/8"X1"	0'-3 1/2"	1	SHOP PRIMER A36
11B9	1	BEAM			SO-2
11B9	1	HSS10X4X1/4	7'-3 1/8"	152	SHOP PRIMER A500-GR.B
p84	2	FL3/8"X1"	0'-5 1/4"	1	SHOP PRIMER A36
11B10	1	BEAM			SO-2
11B10	1	W12X14	17'-4"	245	SHOP PRIMER A36
	6	3/4" A325N BOLT	0'-1 3/4"		Site
TOTAL WEIGHT THIS DRAWING				4264	



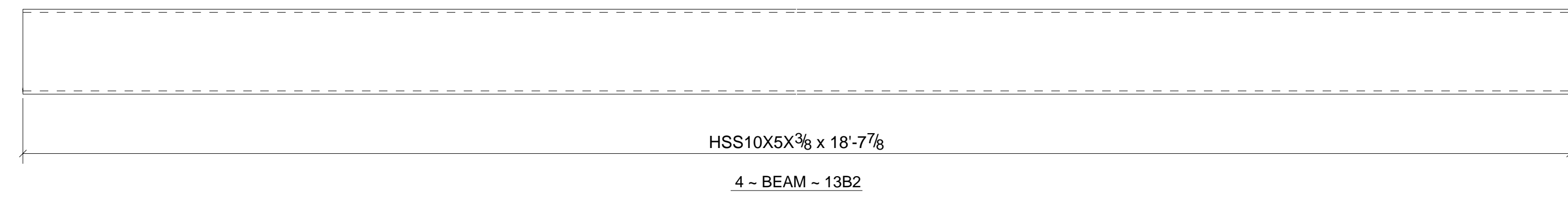
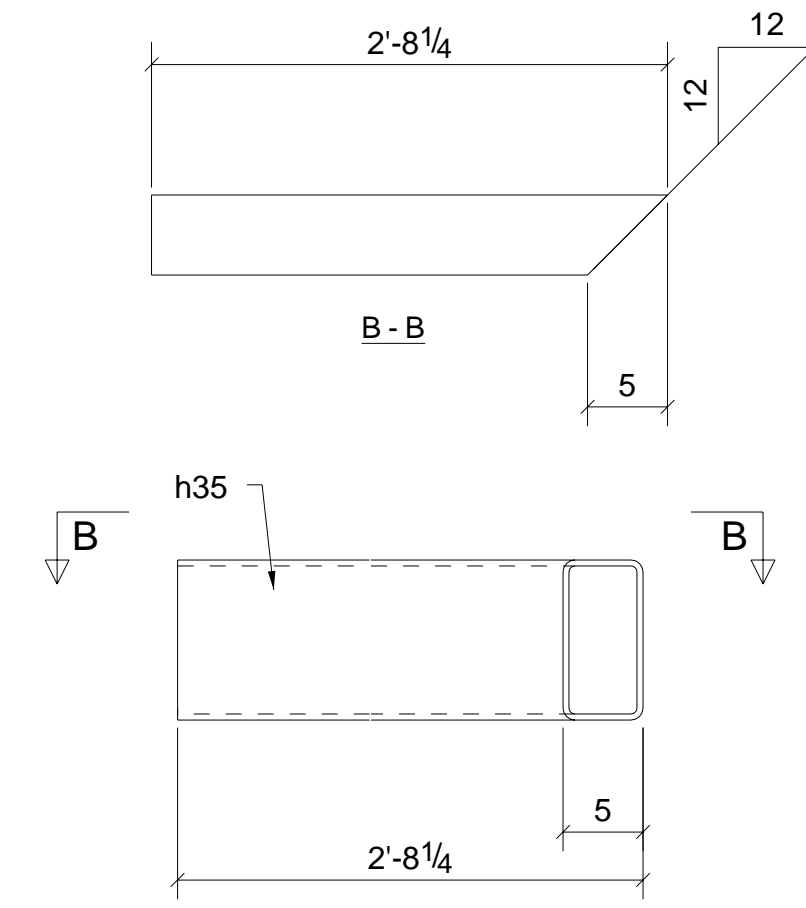
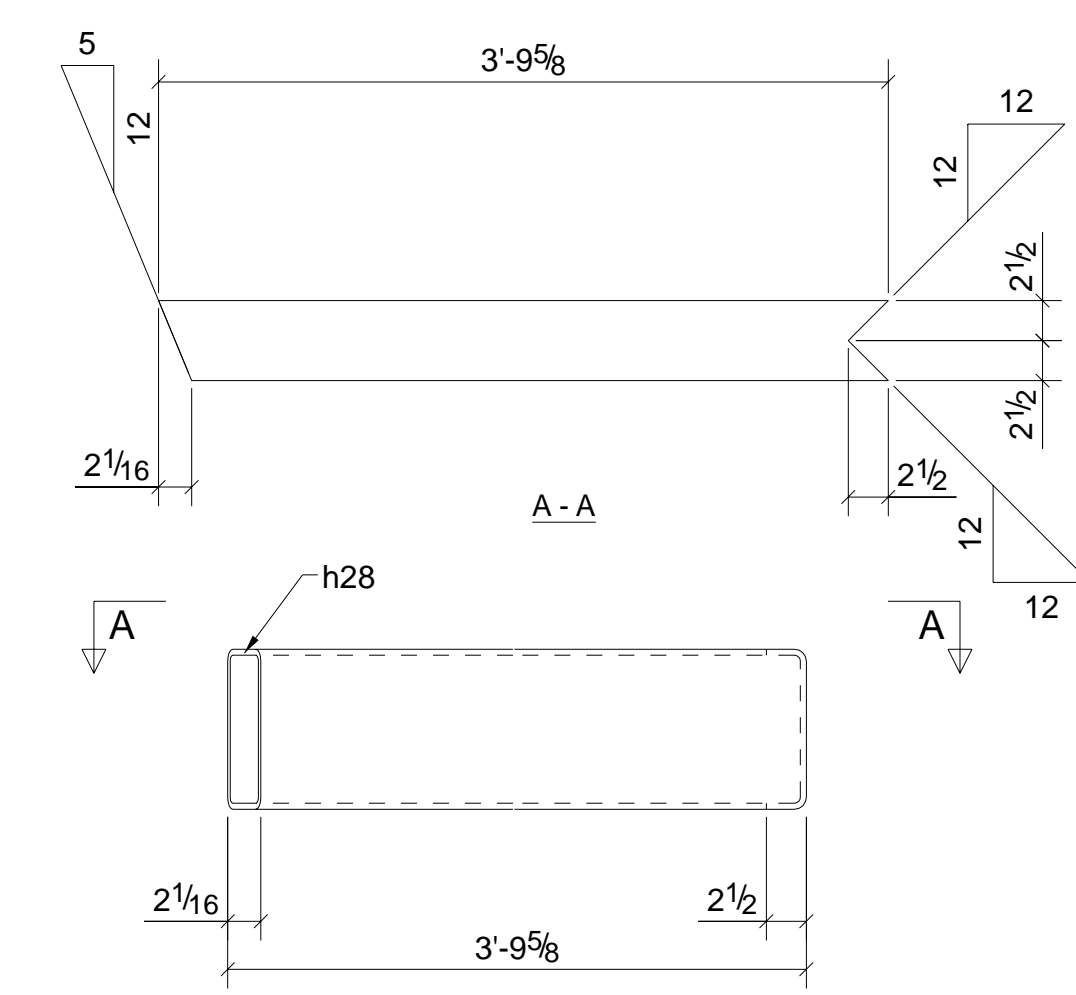
0	ISSUED FOR APPROVAL	03.05.18
REV	DESCRIPTION	DATE

D&R STEEL WORKS
 15385 HWY 90 E.
 CASTROVILLE, TX 78009

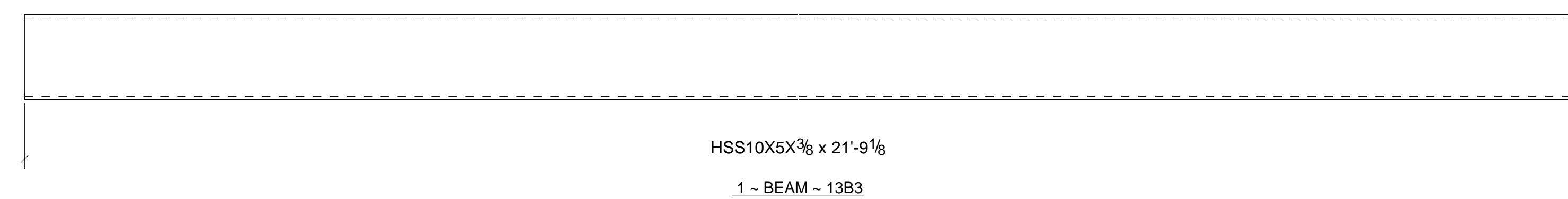
DESCRIPTION	HONDO MEDICAL CENTER		
PROJECT NAME	HONDO MEDICAL CENTER		
DRAWN BY	DW, LLC.	JOB No.	DRG No.
DATE DRAWN	03/02/2018		11



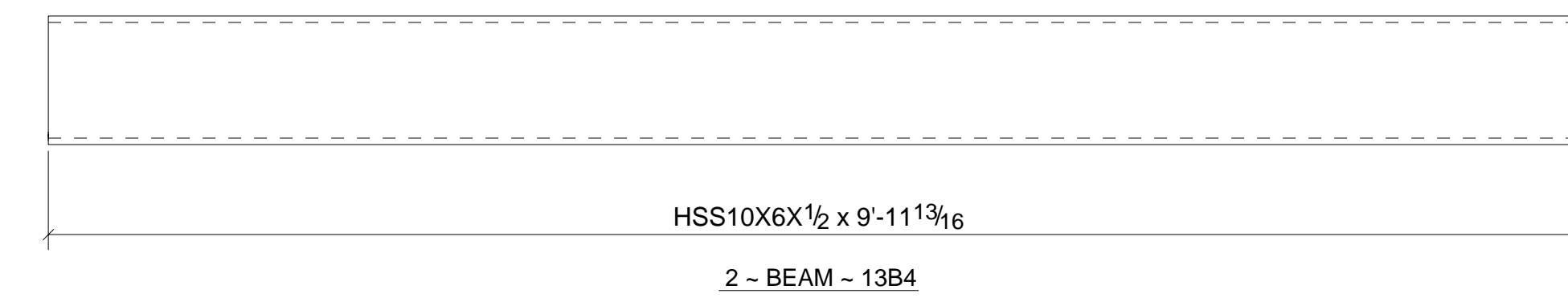
1 ~ BEAM - 13B1



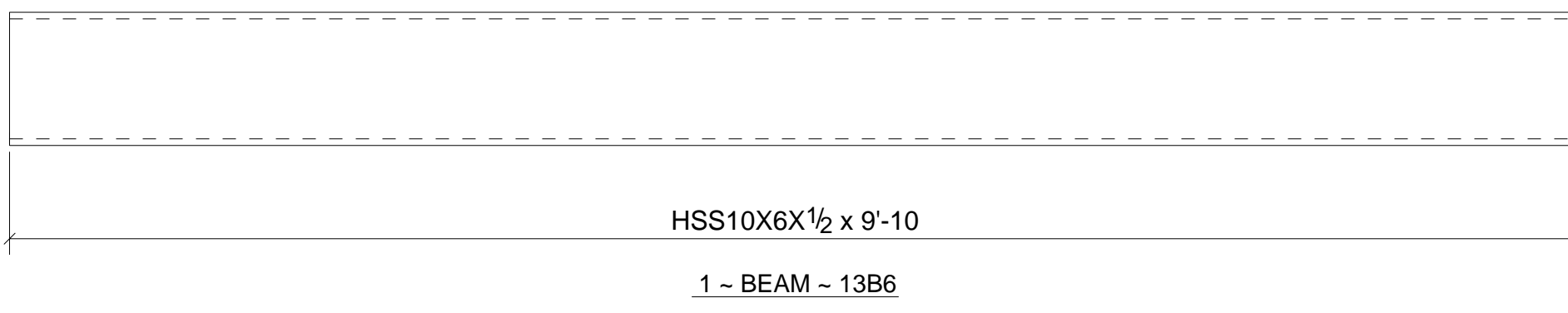
4 ~ BEAM - 13B2



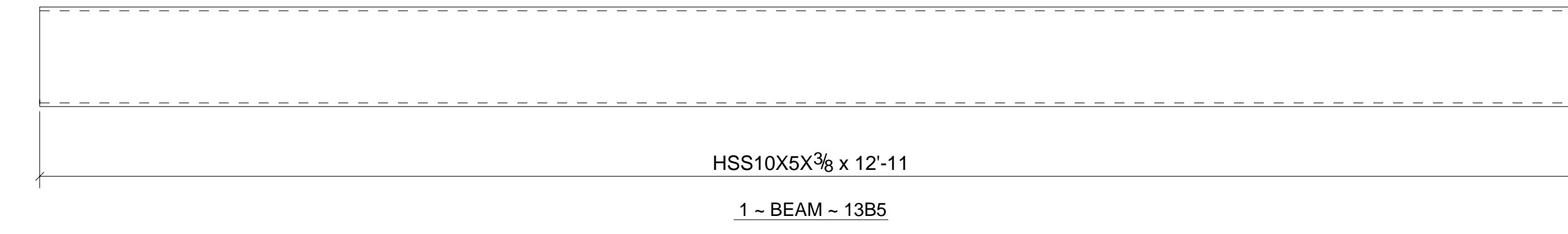
1 ~ BEAM - 13B3



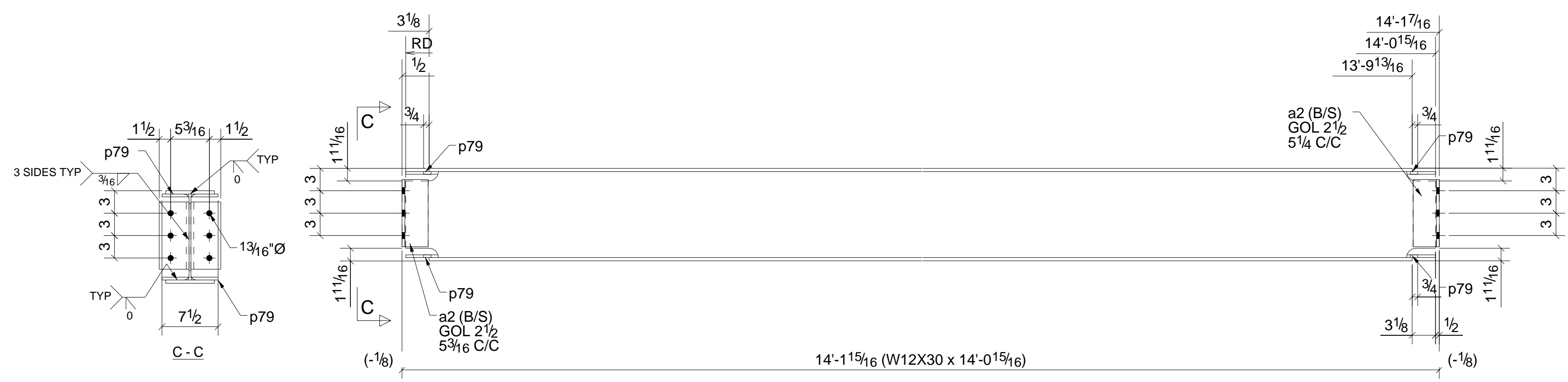
2 ~ BEAM - 13B4



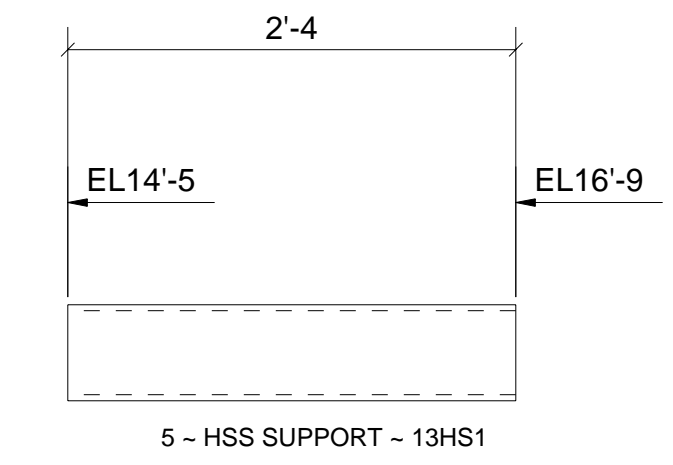
1 ~ BEAM - 13B6



1 ~ BEAM - 13B5



1 ~ BEAM - 13B7



5 - HSS SUPPORT - 13HS1

MARK	QTY	DESCRIPTION	LENGTH	WEIGHT	REMARKS
13B1	1	BEAM			BEV-2
13B1	1	HSS10X5X3/8	18'-4 15/16"	606	SHOP PRIMER A500-GR.B
h28	1	HSS10X5X3/8	3'-9 5/8"	125	SHOP PRIMER A500-GR.B
h35	1	HSS10X5X3/8	2'-8 1/4"	88	SHOP PRIMER A500-GR.B
13B2	4	BEAMS			SO-2
13B2	4	HSS10X5X3/8	18'-7 7/8"	2456	SHOP PRIMER A500-GR.B
13B3	1	BEAM			SO-2
13B3	1	HSS10X5X3/8	21'-9 1/8"	716	SHOP PRIMER A500-GR.B
13B4	2	BEAMS			SO-2
13B4	2	HSS10X6X1/2	9'-11 13/16"	917	SHOP PRIMER A500-GR.B
13B5	1	BEAM			SO-2
13B5	1	HSS10X5X3/8	12'-11"	425	SHOP PRIMER A500-GR.B
13B6	1	BEAM			SO-2
13B6	1	HSS10X6X1/2	9'-10"	452	SHOP PRIMER A500-GR.B
13B7	1	BEAM			SO-2
13B7	1	W12X30	14'-0 15/16"	421	SHOP PRIMER A36
a2	4	L4X3-1/2X3/8	0'-9"	27	A36
p79	4	FL3/8"X1"	0'-7 1/2"	3	A36
	6	3/4" A325N BOLT	0'-1 3/4"		Site
13HS1	5	HSS SUPPORTS			SO-2
13HS1	5	HSS6X6X3/8	2'-4"	301	SHOP PRIMER A500-GR.B
TOTAL WEIGHT THIS DRAWING				6538	

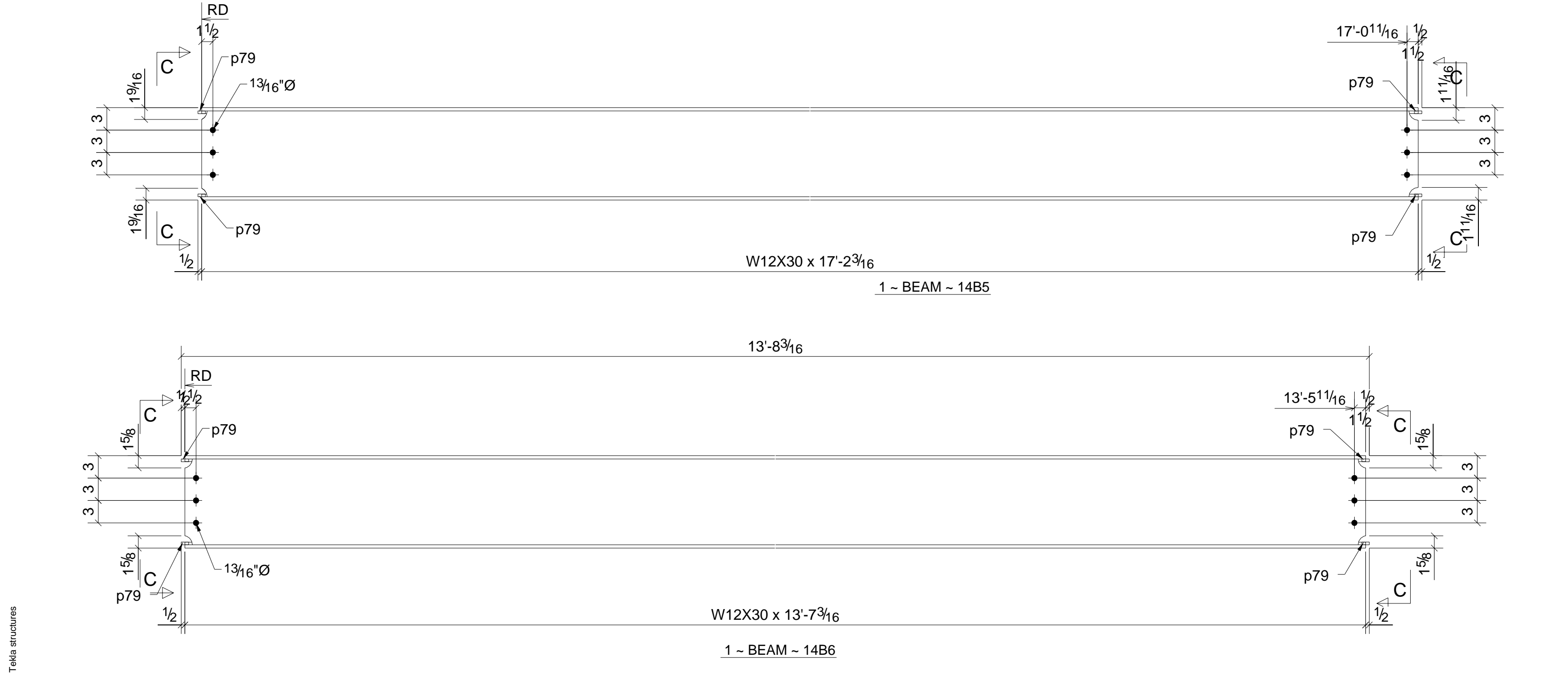
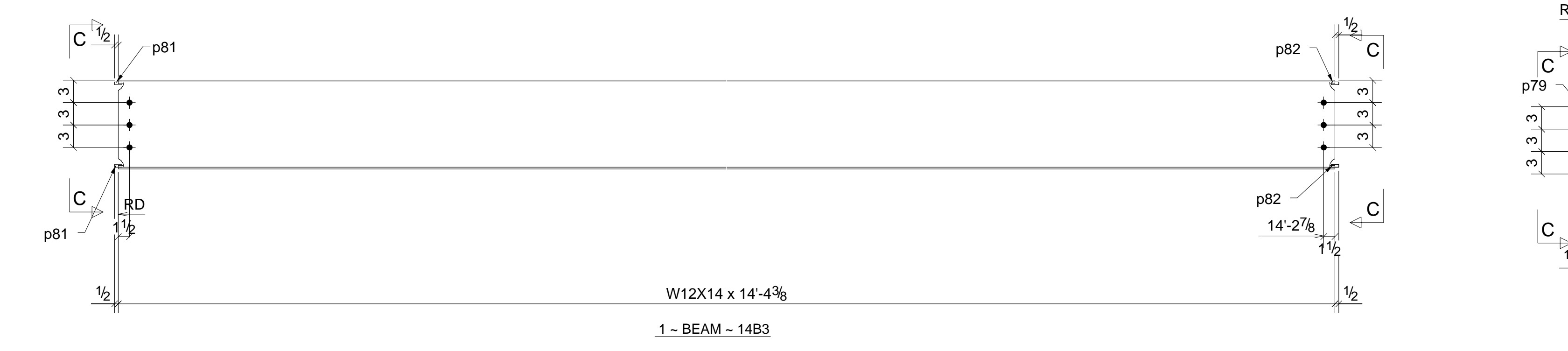
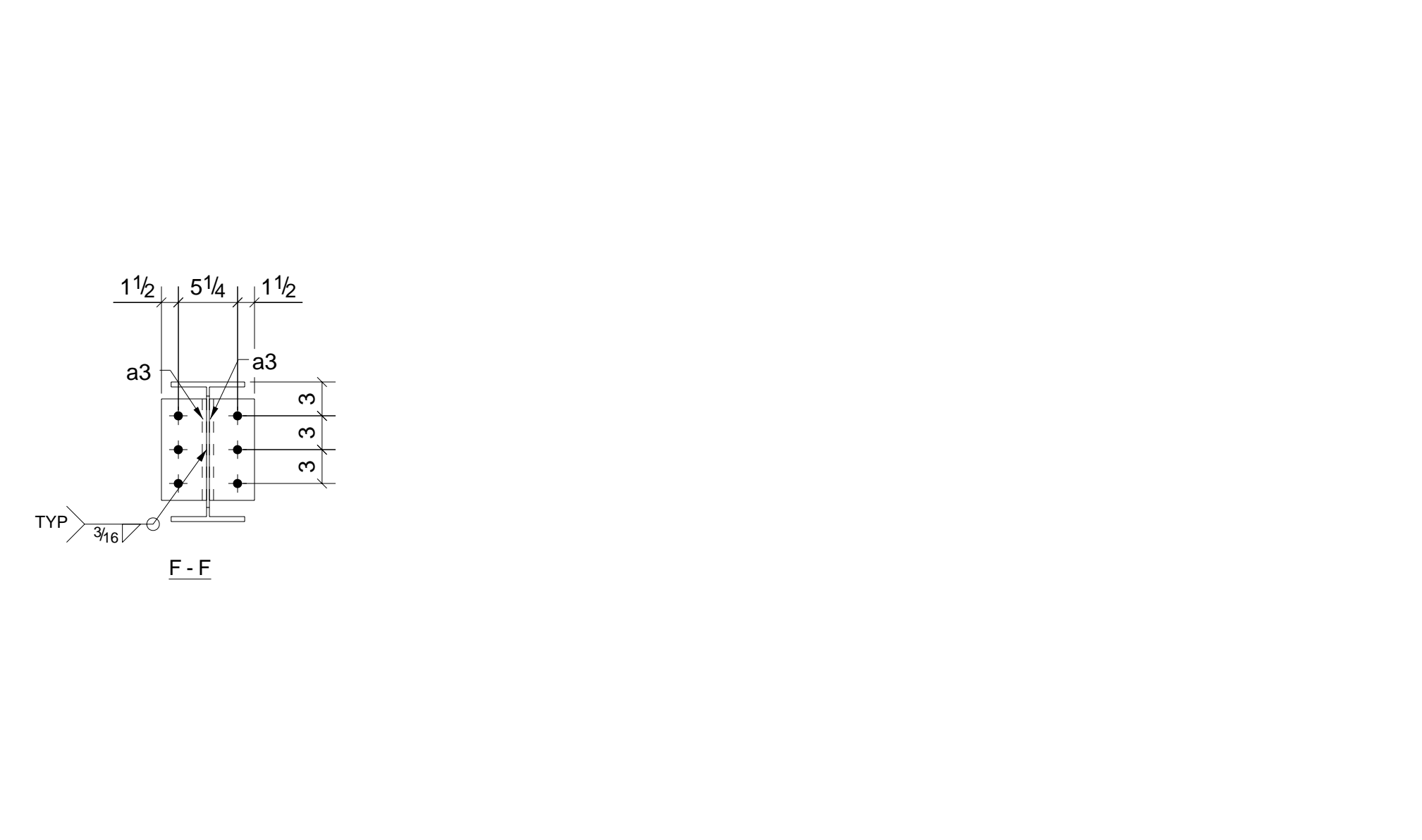
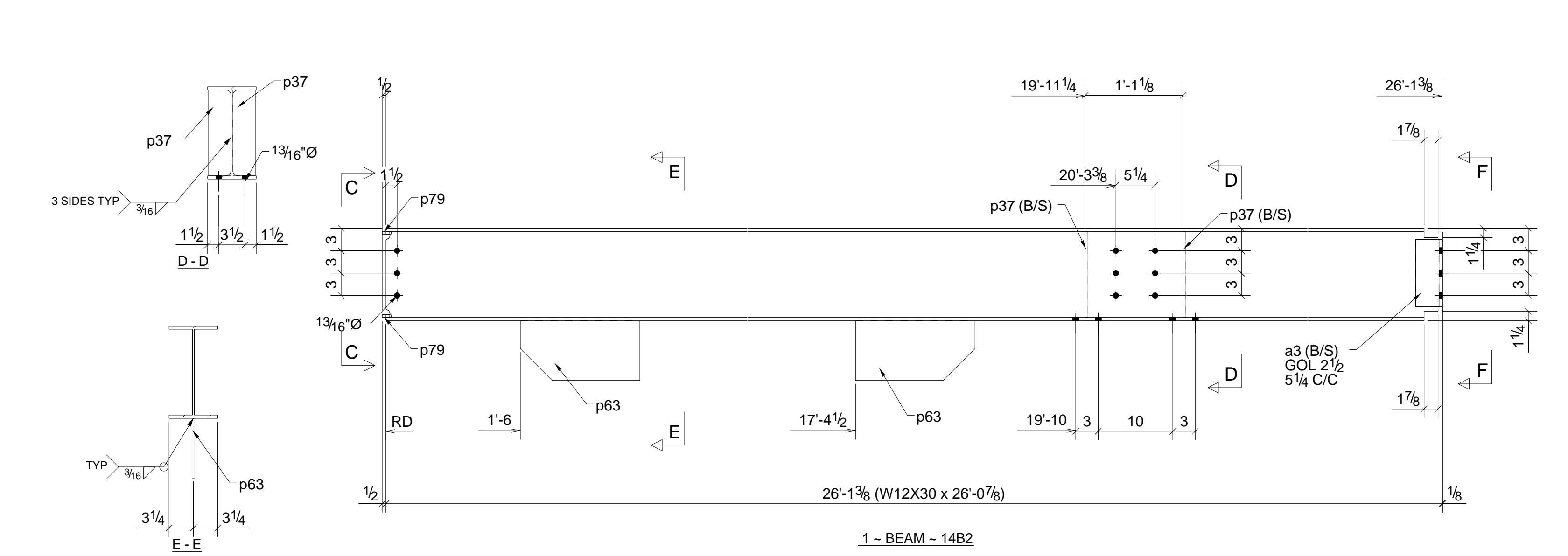
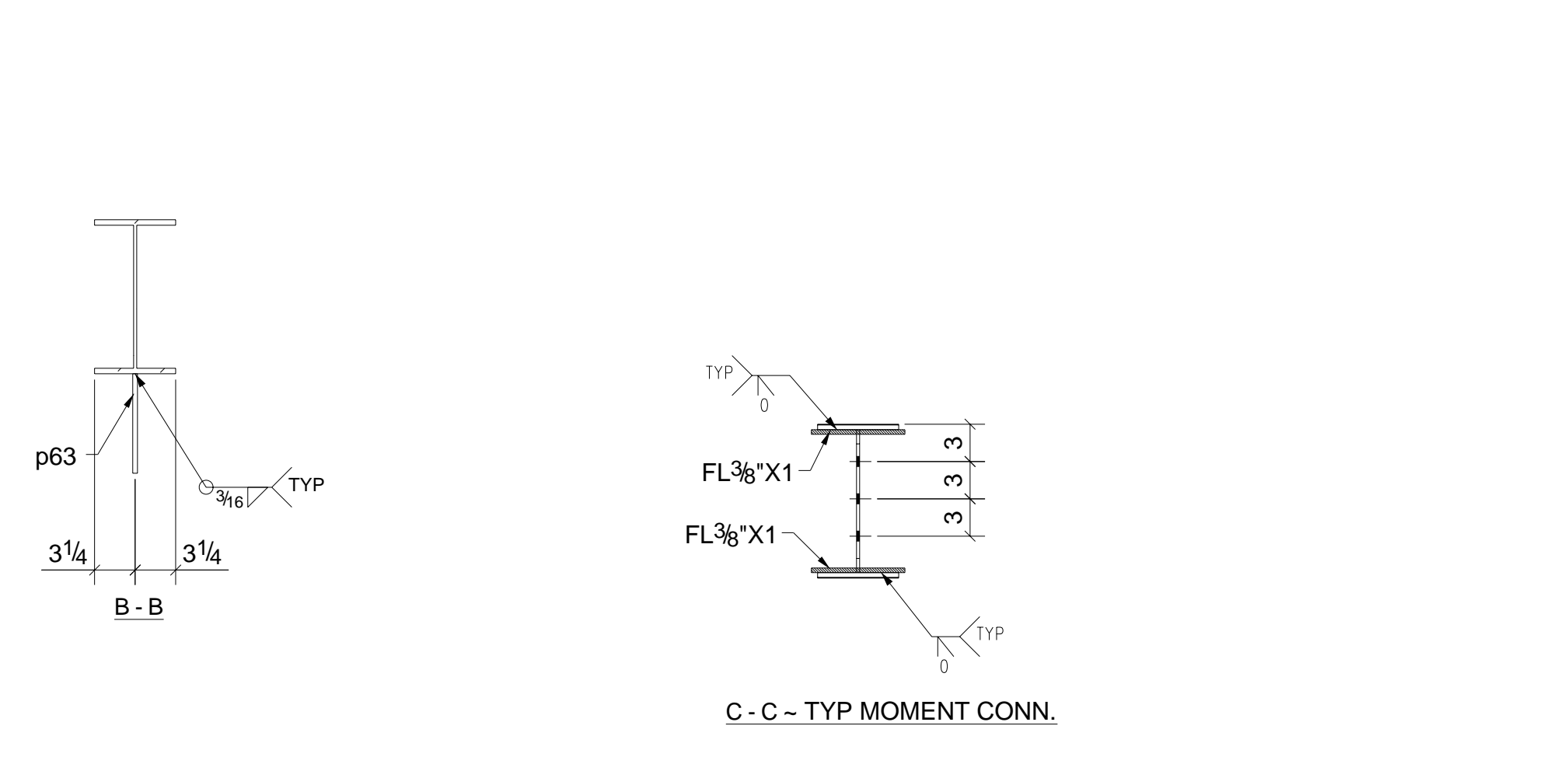
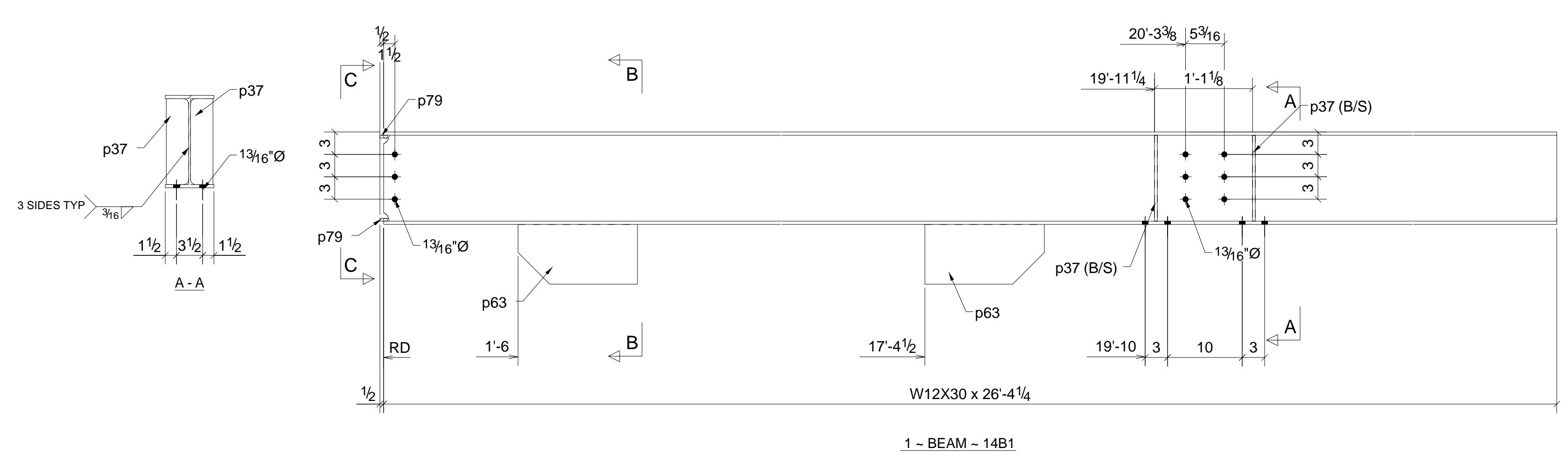
0	ISSUED FOR APPROVAL	03.05.18
REV	DESCRIPTION	DATE

D&R STEEL WORKS
 15385 HWY 90 E
 CASTROVILLE, TX 78009

DESCRIPTION			
PROJECT NAME	HONDO MEDICAL CENTER		
DRAWN BY	DW, LLC.	JOB No.	DRG No.
DATE DRAWN	03/02/2018		13

BILL OF MATERIAL

MARK	QTY	DESCRIPTION	LENGTH	WEIGHT	REMARKS
14B1	1	BEAM			SO-2
14B1	1	W12X30	26'-4 1/4"	788	SHOP PRIMER A36
p37	4	FL3/8"X3"	0'-11 1/2"	15	A36
p63	2	FL3/8"X8"	1'-4"	25	SHOP PRIMER A36
p79	2	FL3/8"X1"	0'-7 1/2"	2	A36
	8	3/4"Ø A325N BOLT	0'-2 3/4"		Site
	3	3/4"Ø A325N BOLT	0'-1 3/4"		Site
14B2	1	BEAM			SO-2
14B2	1	W12X30	26'-0 7/8"	790	SHOP PRIMER A36
a3	2	L4X3-1/2X3/8	0'-9"	14	A36
p37	4	FL3/8"X3"	0'-11 1/2"	15	A36
p63	2	FL3/8"X8"	1'-4"	25	SHOP PRIMER A36
p79	2	FL3/8"X1"	0'-7 1/2"	2	A36
	8	3/4"Ø A325N BOLT	0'-2 3/4"		Site
	9	3/4"Ø A325N BOLT	0'-1 3/4"		Site
14B3	1	BEAM			SO-2
14B3	1	W12X14	14'-4 3/8"	203	SHOP PRIMER A36
p81	4	FL3/8"X1"	0'-4"	2	A36
p82	2	FL3/8"X1"	0'-5"	1	A36
	6	3/4"Ø A325N BOLT	0'-1 3/4"		Site
14B4	1	BEAM			SO-2
14B4	1	W12X26	11'-7"	302	SHOP PRIMER A36
p79	4	FL3/8"X1"	0'-7 1/2"	3	A36
	6	3/4"Ø A325N BOLT	0'-1 3/4"		Site
14B5	1	BEAM			SO-2
14B5	1	W12X30	17'-2 3/16"	514	SHOP PRIMER A36
p79	4	FL3/8"X1"	0'-7 1/2"	3	A36
	6	3/4"Ø A325N BOLT	0'-1 3/4"		Site
14B6	1	BEAM			SO-2
14B6	1	W12X30	13'-7 3/16"	407	SHOP PRIMER A36
p79	4	FL3/8"X1"	0'-7 1/2"	3	A36
	6	3/4"Ø A325N BOLT	0'-1 3/4"		Site
TOTAL WEIGHT THIS DRAWING				3103	



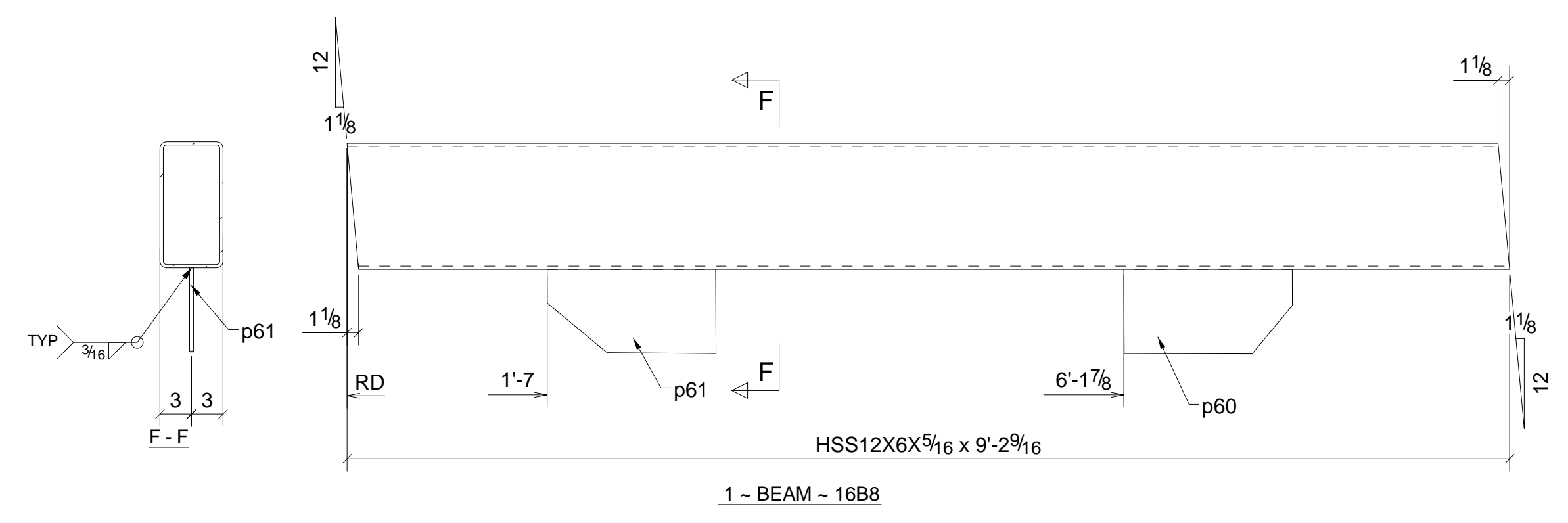
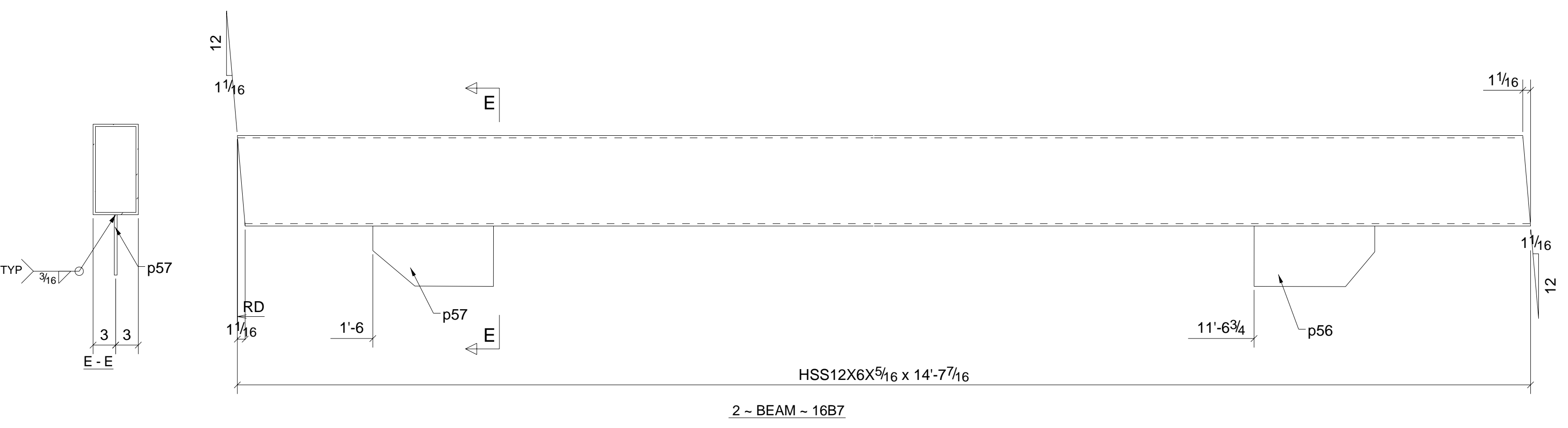
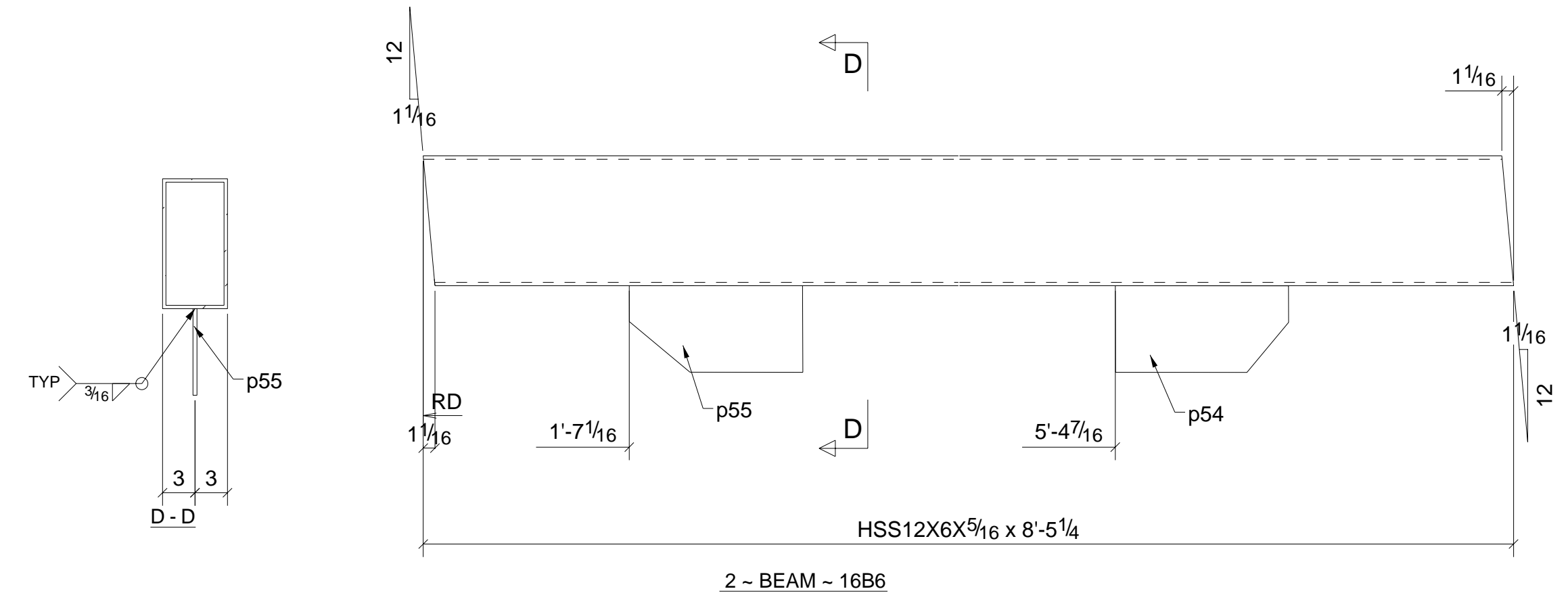
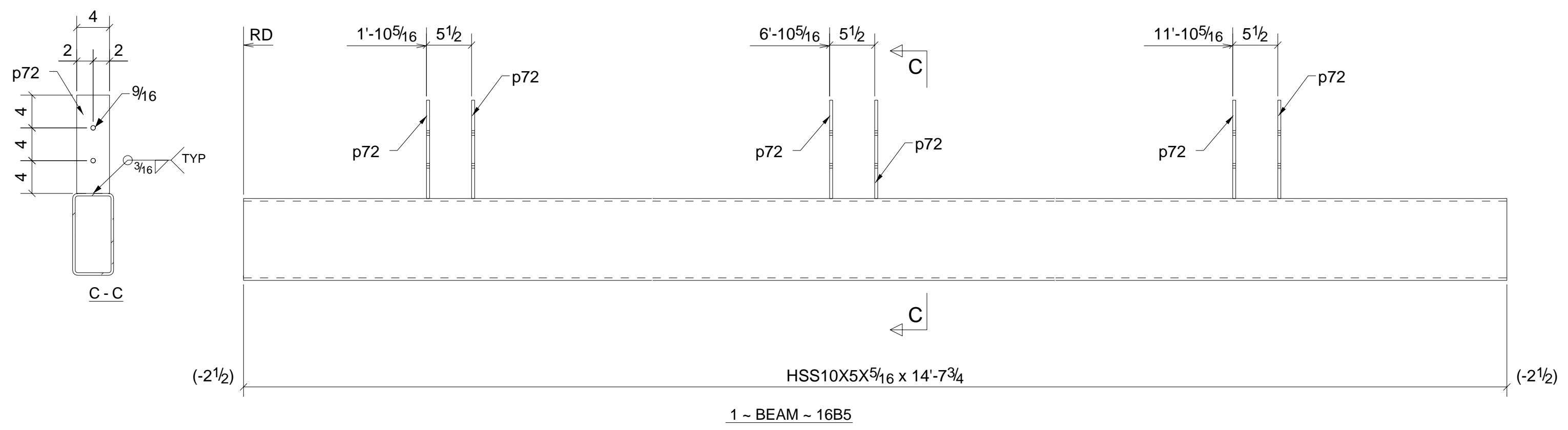
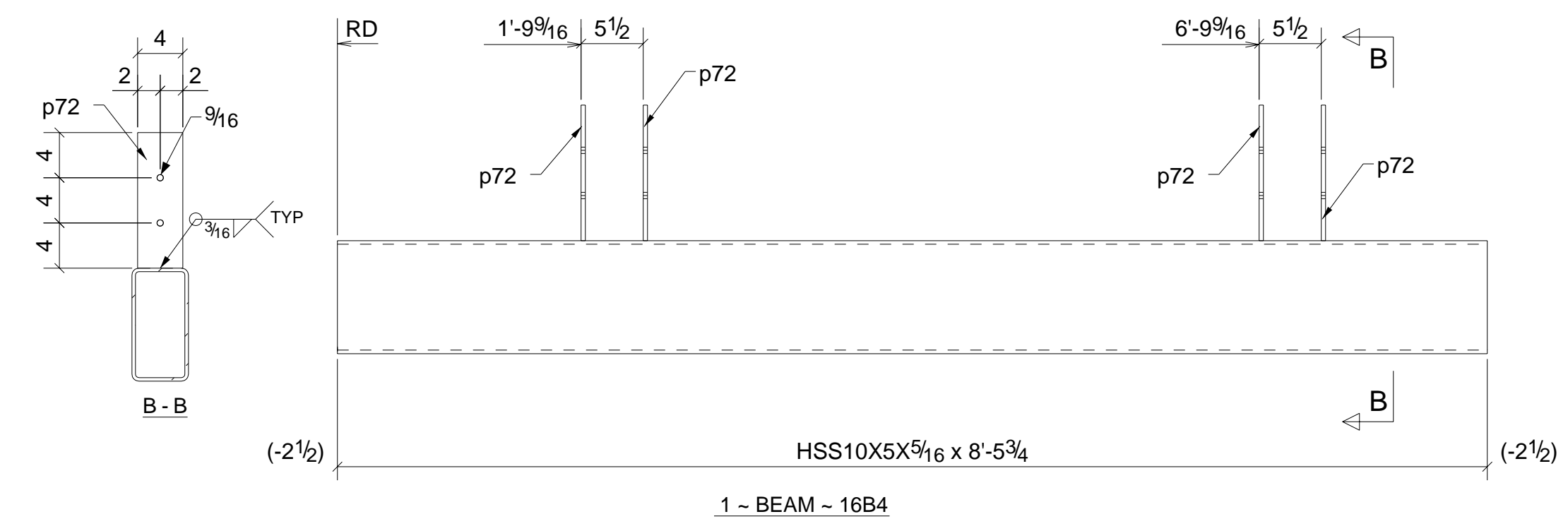
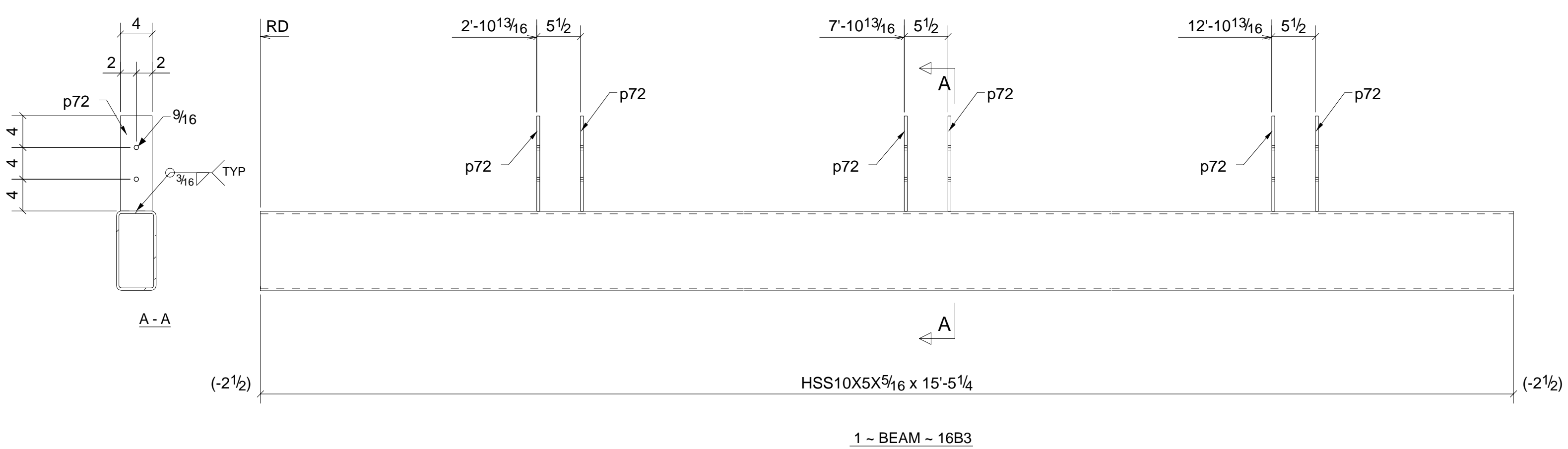
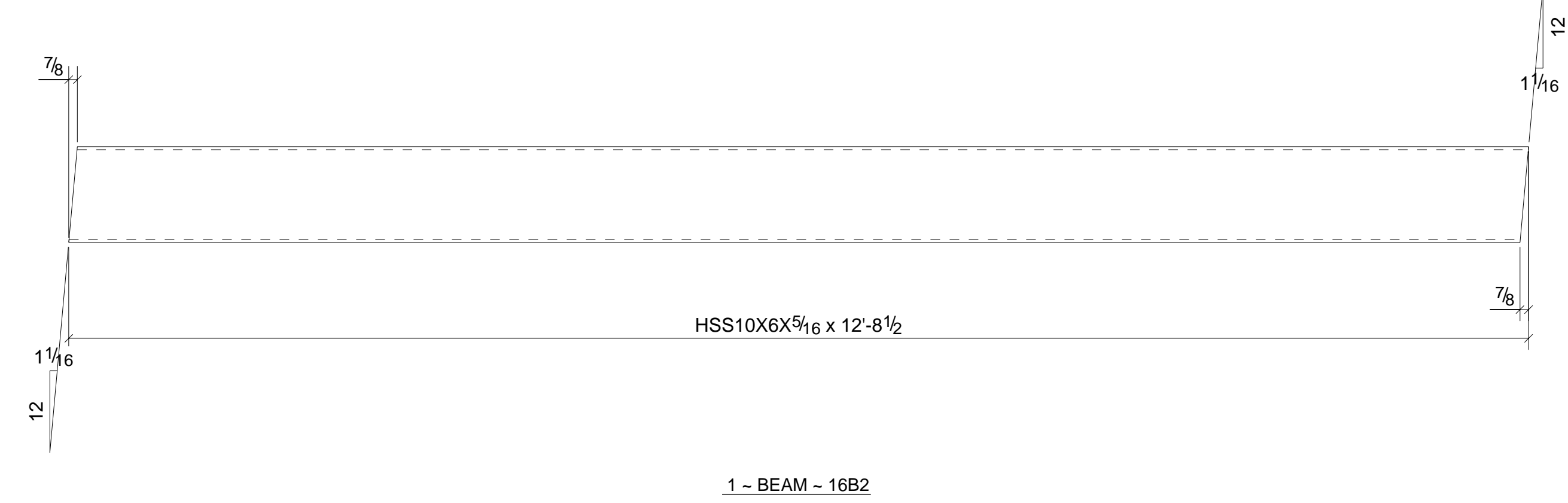
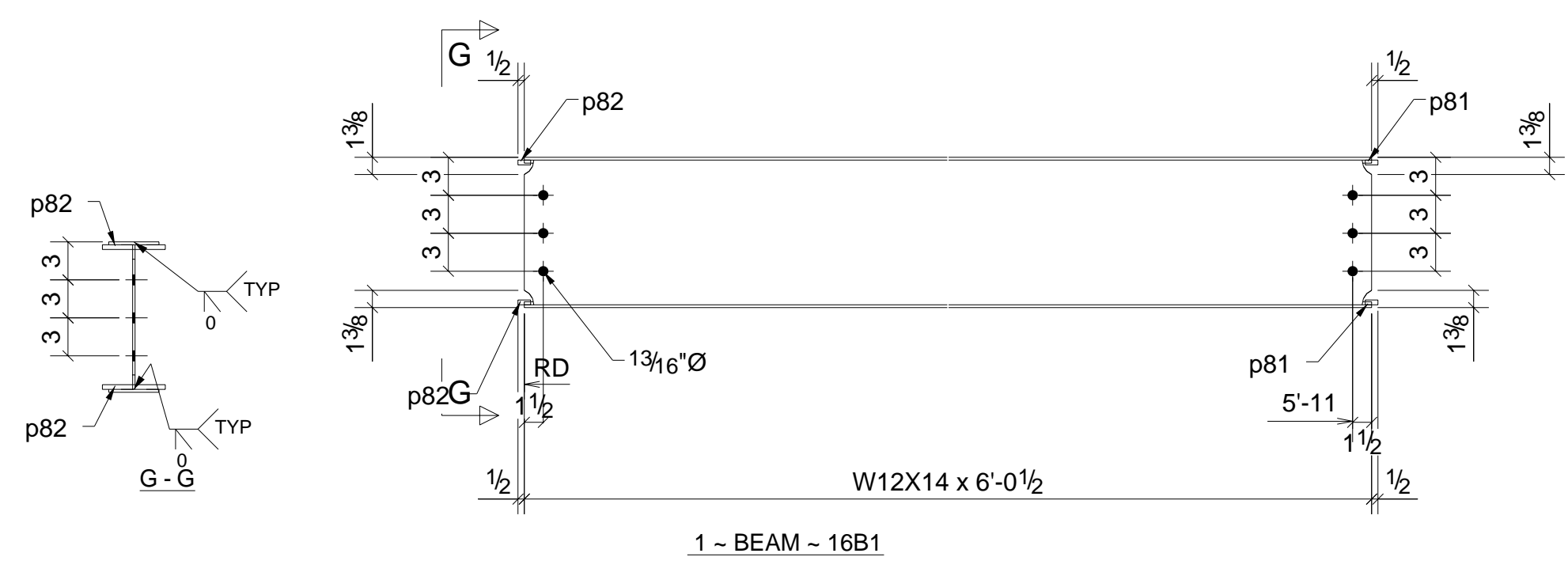
0	ISSUED FOR APPROVAL	03.05.18
REV	DESCRIPTION	DATE

D&R STEEL WORKS
 15385 HWY 90 E
 CASTROVILLE, TX 78009

DESCRIPTION	HONDO MEDICAL CENTER		
PROJECT NAME	HONDO MEDICAL CENTER		
DRAWN BY	DW, LLC.	JOB No.	DRG No.
DATE DRAWN	03/02/2018		14

BILL OF MATERIAL

MARK	QTY	DESCRIPTION	LENGTH	WEIGHT	REMARKS
16B1	1	BEAM			SO-2
16B1	1	W12X14	6'-0 1/2"	86	SHOP PRIMER A36
p81	2	FL3/8"X1"	0'-4"	1	A36
p82	2	FL3/8"X1"	0'-5"	1	A36
	6	3/4"Ø A325N BOLT	0'-1 3/4"		Site
16B2	1	BEAM			BEV-2
16B2	1	HSS10X6X5/16	12'-8 1/2"	379	SHOP PRIMER A500-GR.B
16B3	1	BEAM			SO-2
16B3	1	HSS10X5X5/16	15'-5 1/4"	429	SHOP PRIMER A500-GR.B
p72	6	FL3/8"X4"	1'-0"	30	SHOP PRIMER A36
16B4	1	BEAM			SO-2
16B4	1	HSS10X5X5/16	8'-5 3/4"	236	SHOP PRIMER A500-GR.B
p72	4	FL3/8"X4"	1'-0"	20	SHOP PRIMER A36
16B5	1	BEAM			SO-2
16B5	1	HSS10X5X5/16	14'-7 3/4"	407	SHOP PRIMER A500-GR.B
p72	6	FL3/8"X4"	1'-0"	30	SHOP PRIMER A36
16B6	2	BEAMS			BEV-2
16B6	2	HSS12X6X5/16	8'-5 1/4"	570	SHOP PRIMER A500-GR.B
p54	2	FL3/8"X8"	1'-4"	25	SHOP PRIMER A36
p55	2	FL3/8"X8"	1'-4 1/16"	24	SHOP PRIMER A36
16B7	2	BEAMS			BEV-2
16B7	2	HSS12X6X5/16	14'-7 7/16"	987	SHOP PRIMER A500-GR.B
p56	2	PL3/8"X8"	1'-4"	25	SHOP PRIMER A36
p57	2	FL3/8"X8"	1'-4"	24	SHOP PRIMER A36
16B8	1	BEAM			BEV-2
16B8	1	HSS12X6X5/16	9'-2 9/16"	311	SHOP PRIMER A500-GR.B
p60	1	PL3/8"X8"	1'-4"	13	SHOP PRIMER A36
p61	1	FL3/8"X8"	1'-4 1/8"	12	SHOP PRIMER A36
TOTAL WEIGHT THIS DRAWING				3612	



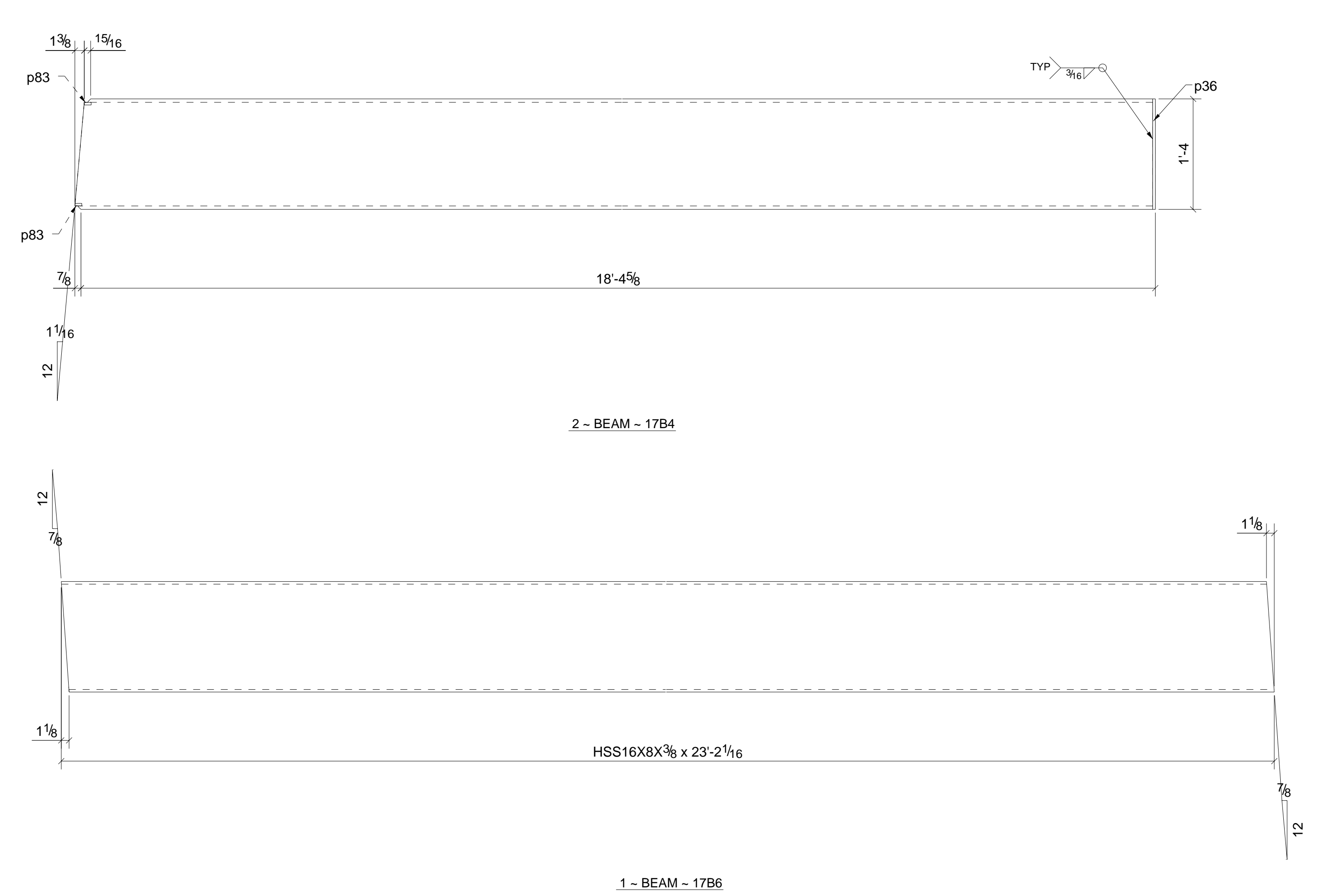
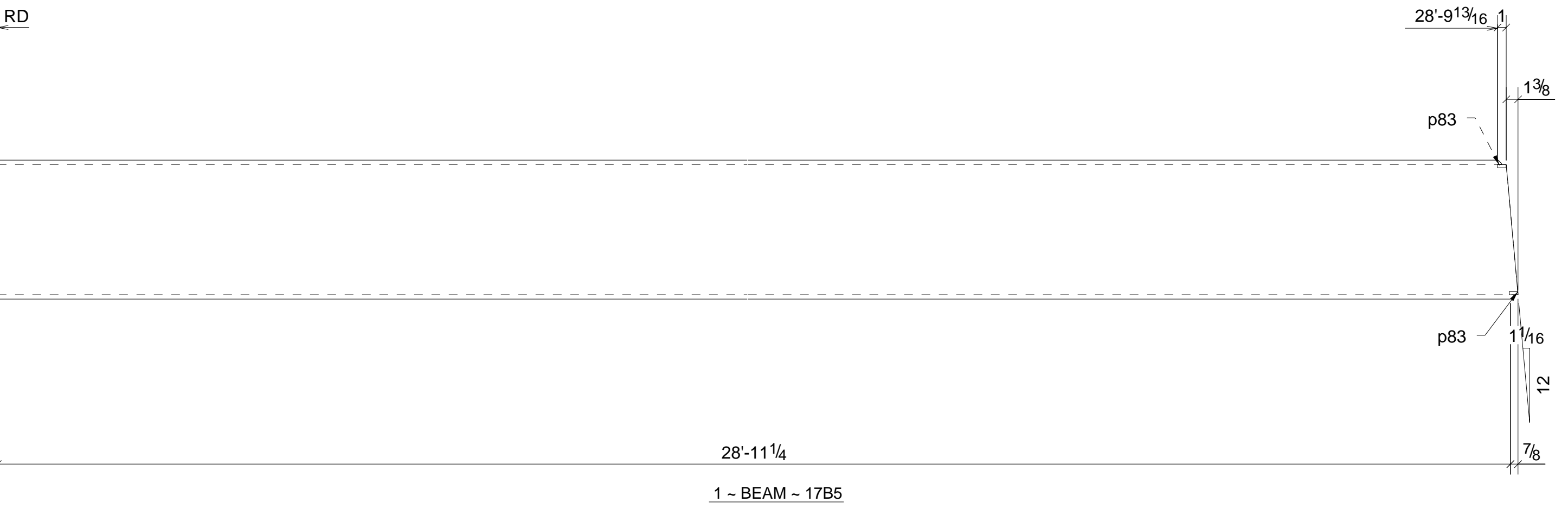
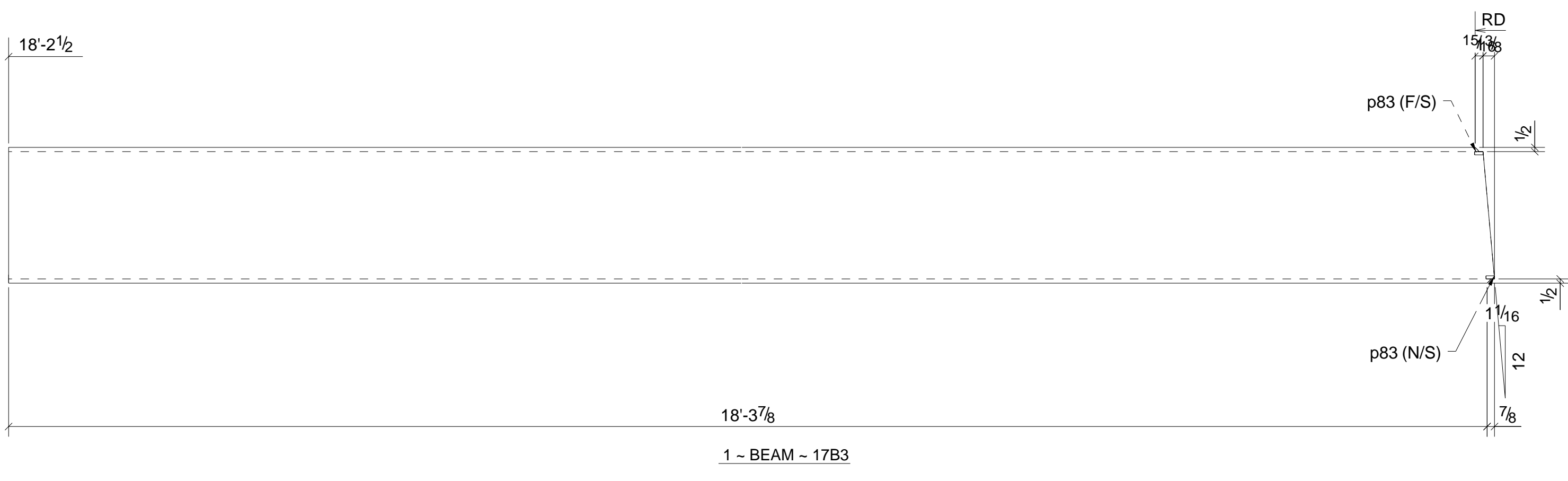
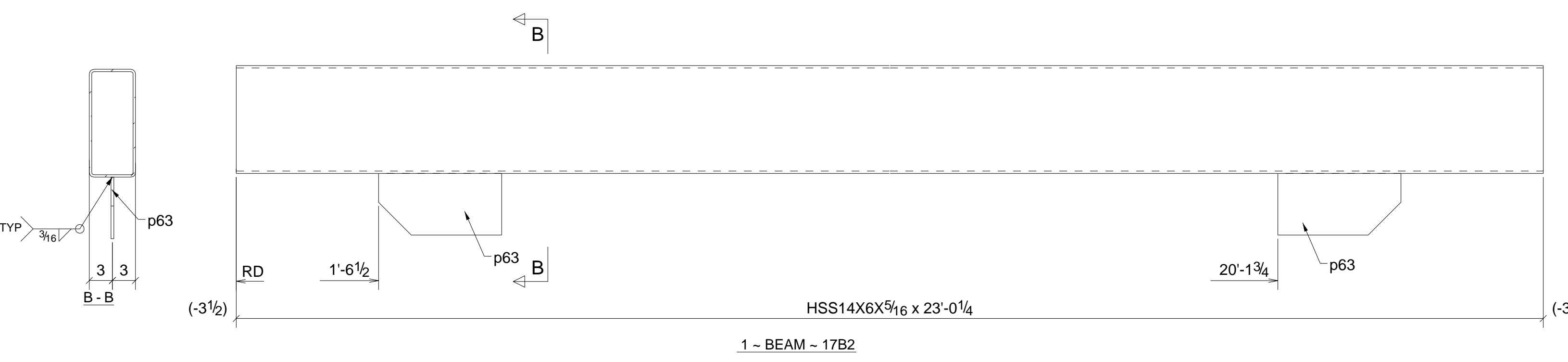
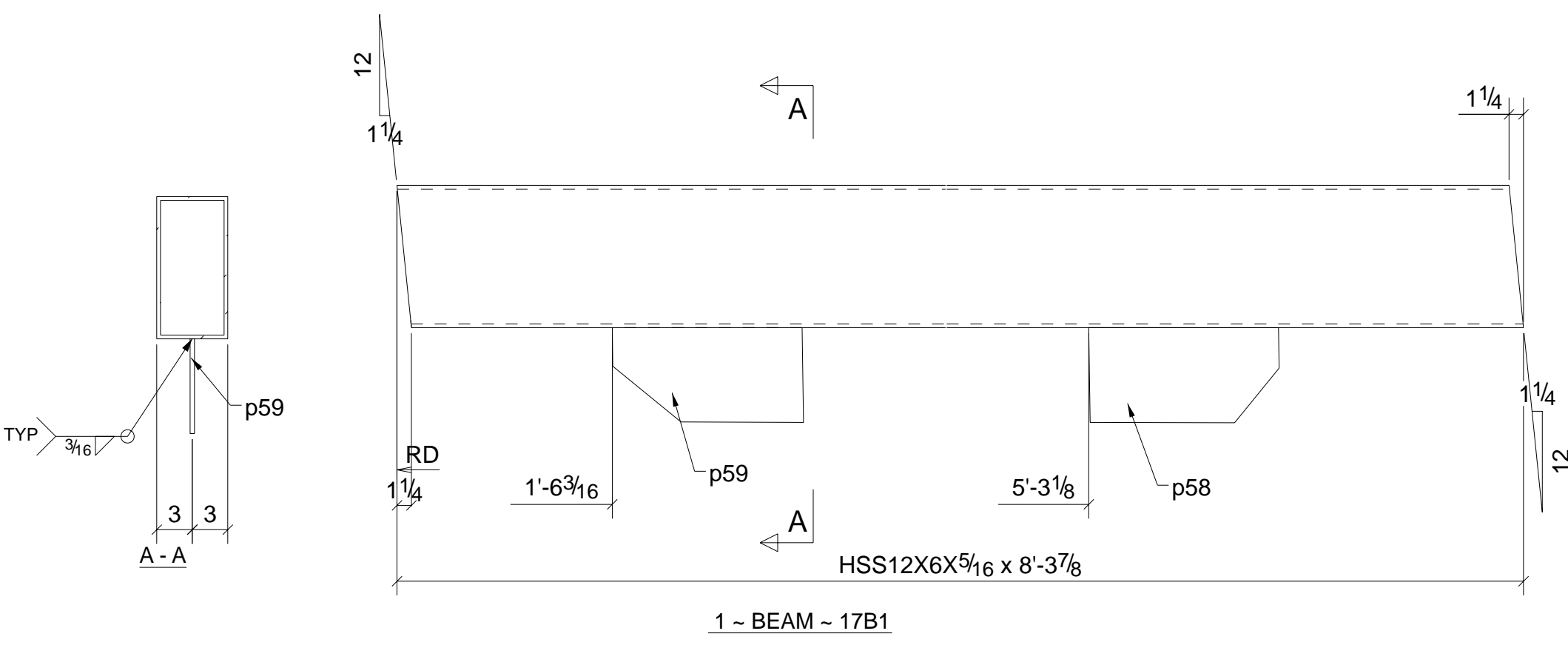
0	ISSUED FOR APPROVAL	03.05.18
REV	DESCRIPTION	DATE

D&R STEEL WORKS
 15385 HWY 90 E
 CASTROVILLE, TX 78009

DESCRIPTION	HONDO MEDICAL CENTER		
PROJECT NAME	HONDO MEDICAL CENTER		
DRAWN BY	DW, LLC.	JOB No.	DRG No.
DATE DRAWN	03/02/2018		16

BILL OF MATERIAL

MARK	QTY	DESCRIPTION	LENGTH	WEIGHT	REMARKS
17B1	1	BEAM			BEV-2
17B1	1	HSS12X6X5/16	8'-3 7/8"	281	SHOP PRIMER A500-GR.B
p58	1	FL3/8"X8"	1'-4 1/16"	13	SHOP PRIMER A36
p59	1	FL3/8"X8"	1'-4 3/16"	12	SHOP PRIMER A36
17B2	1	BEAM			SO-2
17B2	1	HSS14X6X5/16	23'-0 1/4"	870	SHOP PRIMER A500-GR.B
p63	2	FL3/8"X8"	1'-4"	25	SHOP PRIMER A36
17B3	1	BEAM			SO-1/BEV-1
17B3	1	HSS16X12X1/2	18'-4 3/4"	1540	SHOP PRIMER A500-GR.B
p83	2	FL3/8"X11"	0'-11"	2	SHOP PRIMER A36
17B4	2	BEAMS			SO-2
17B4	2	HSS16X12X1/2	18'-5 1/8"	3085	SHOP PRIMER A500-GR.B
p36	2	FL3/8"X12"	1'-4"	41	A36
p83	4	FL3/8"X11"	0'-11"	5	SHOP PRIMER A36
17B5	1	BEAM			SO-2
17B5	1	HSS16X12X1/2	29'-0 1/8"	2429	SHOP PRIMER A500-GR.B
p83	2	FL3/8"X11"	0'-11"	2	SHOP PRIMER A36
17B6	1	BEAM			BEV-2
17B6	1	HSS16X8X3/8	23'-2 1/16"	1262	SHOP PRIMER A500-GR.B
TOTAL WEIGHT THIS DRAWING				9567	



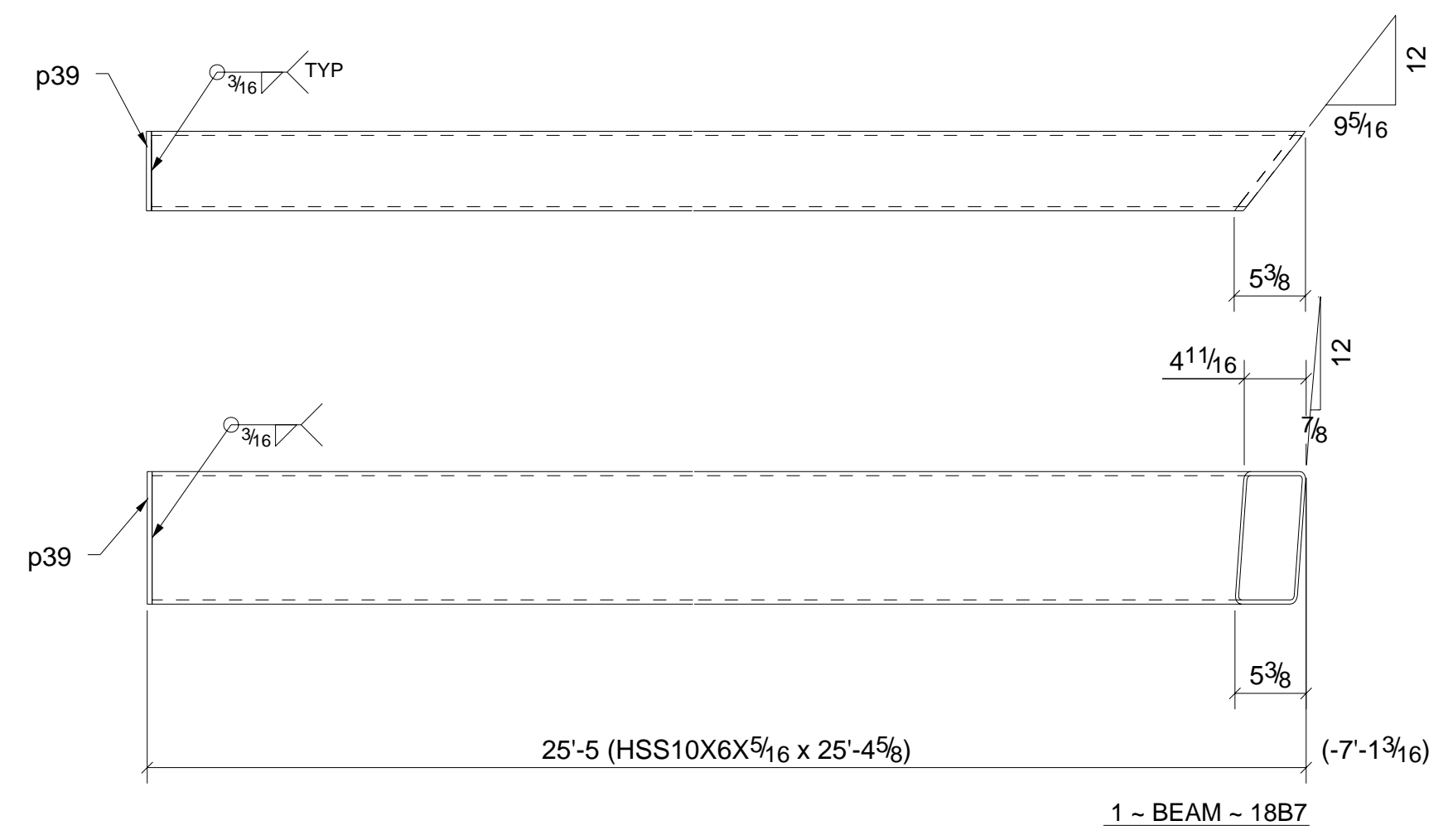
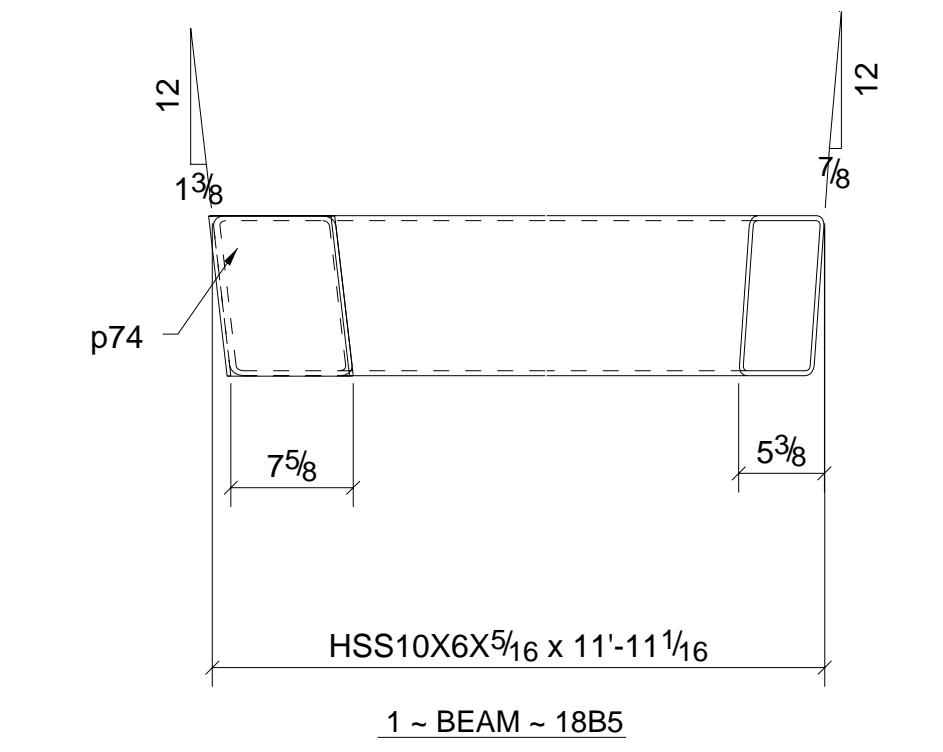
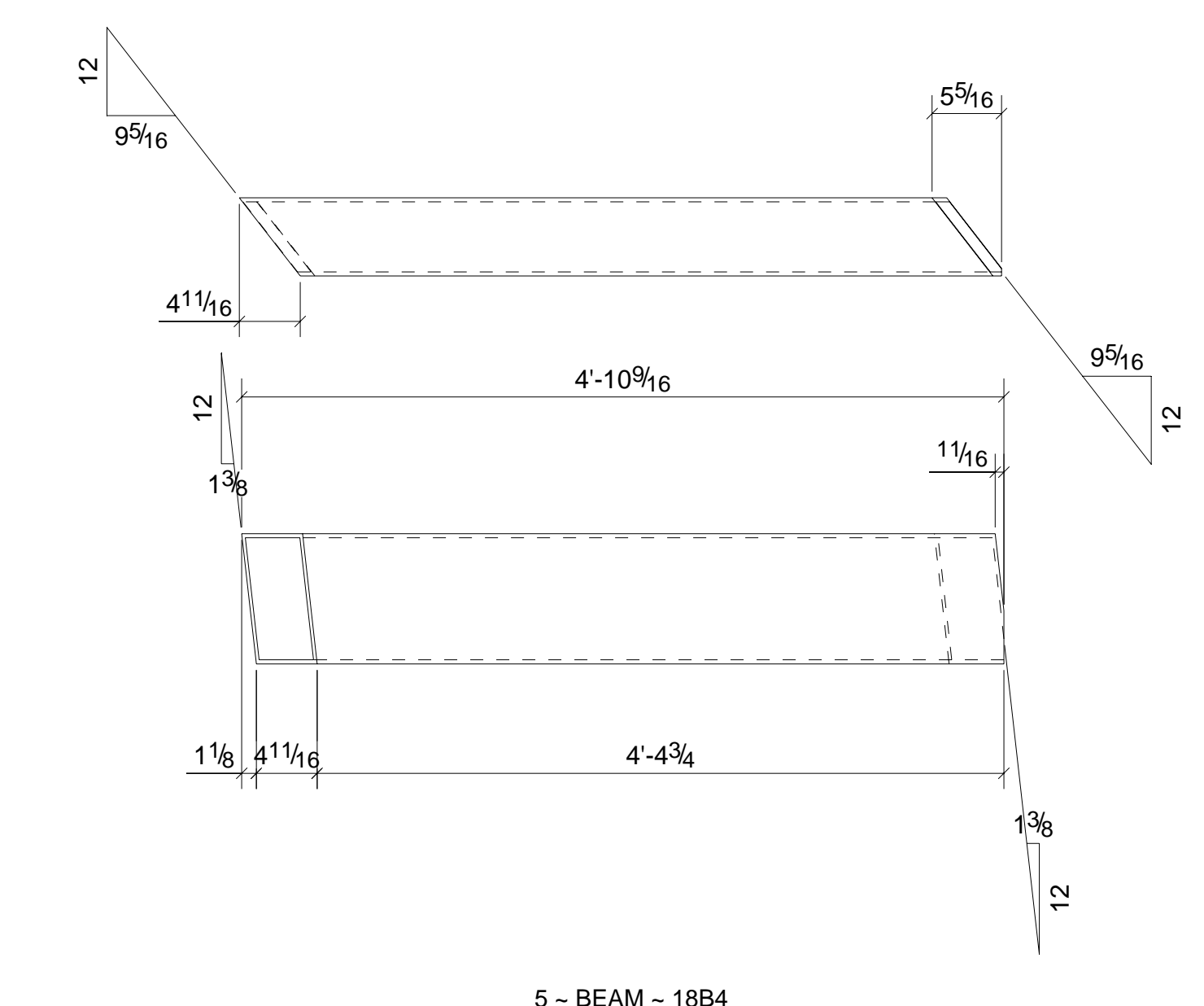
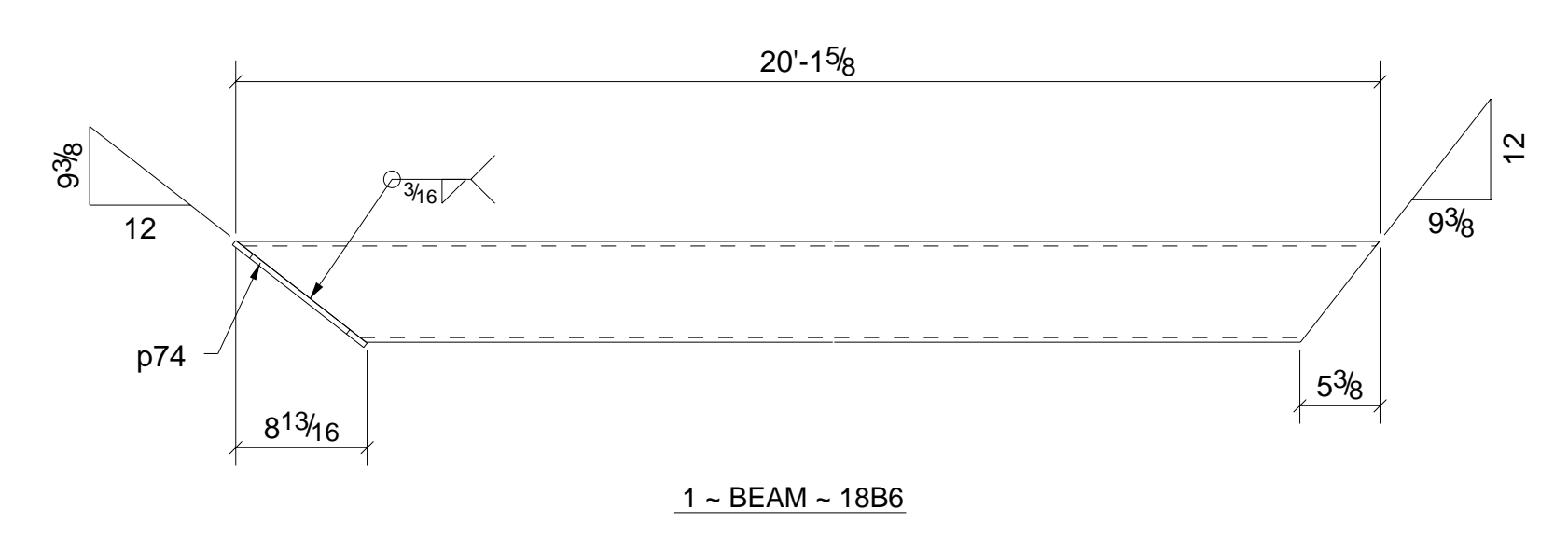
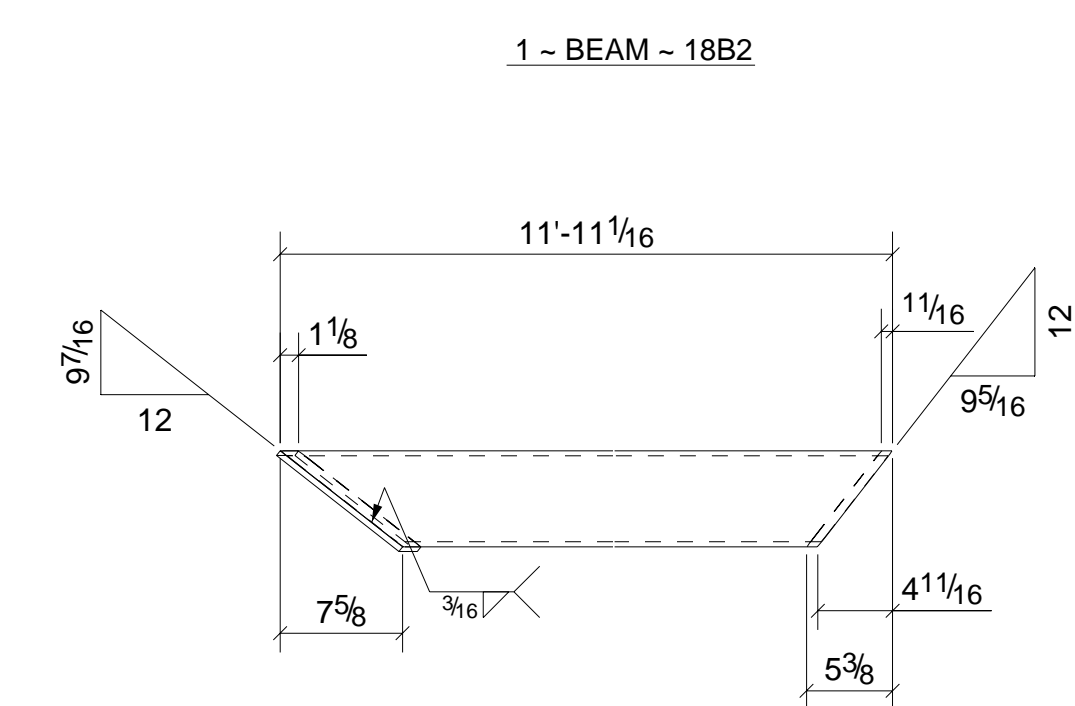
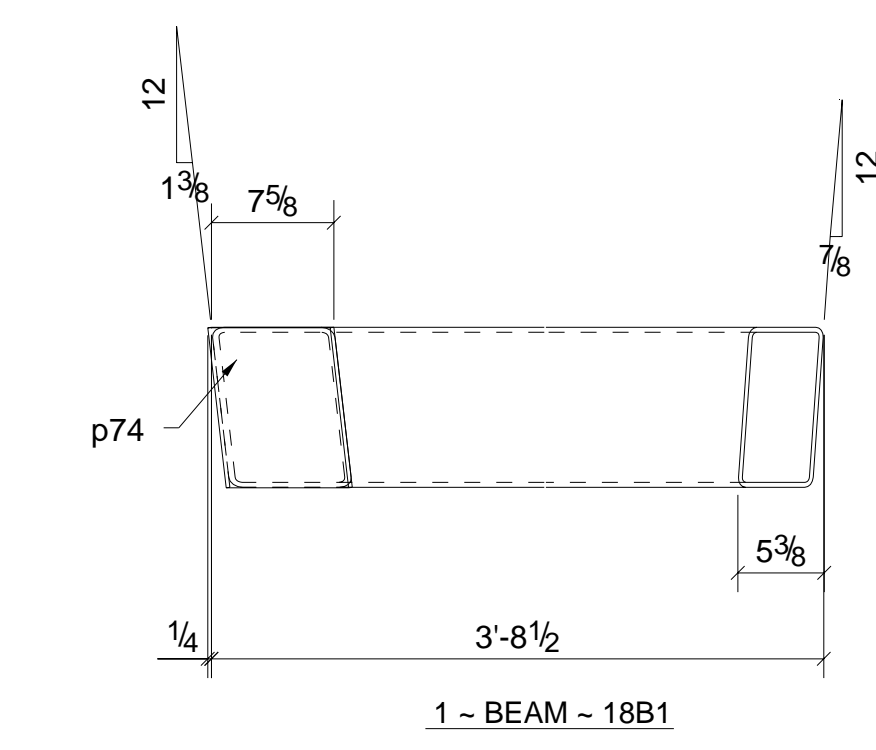
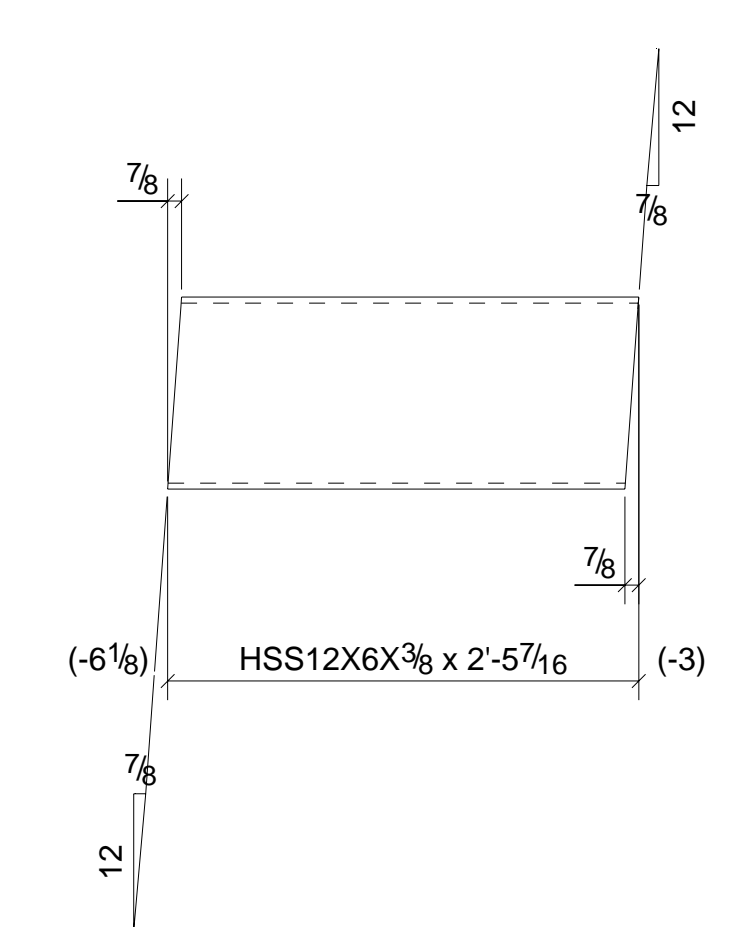
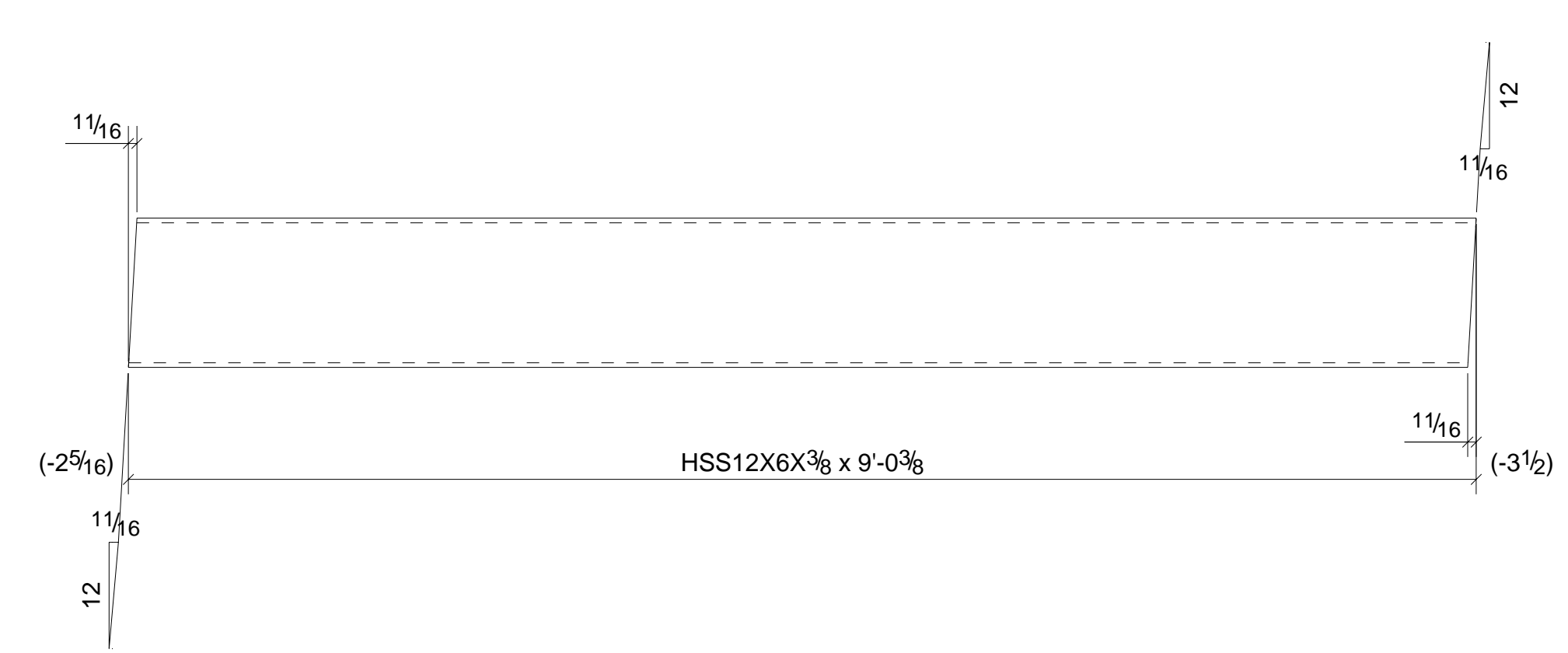
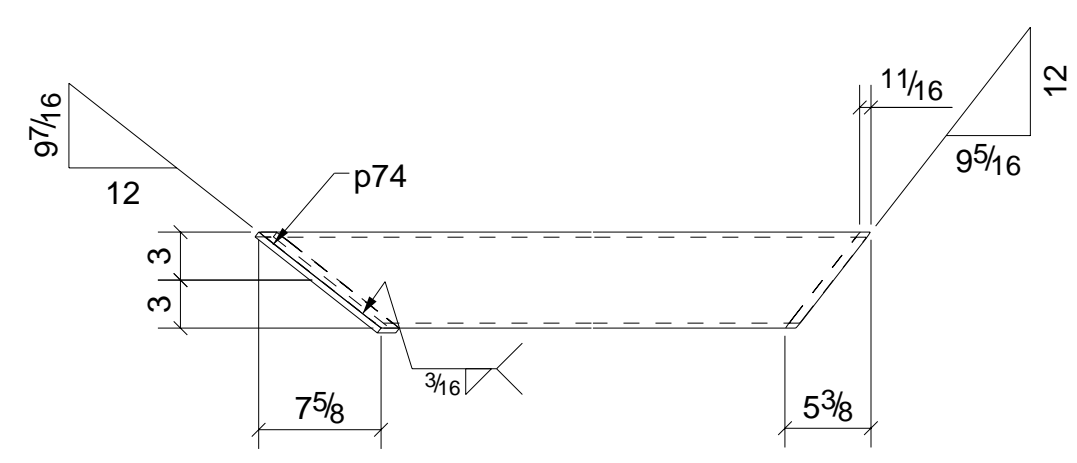
0	ISSUED FOR APPROVAL	03.05.18
REV	DESCRIPTION	DATE

D&R STEEL WORKS
 15385 HWY 90 E.
 CASTROVILLE, TX 78009

DESCRIPTION			
PROJECT NAME	HONDO MEDICAL CENTER		
DRAWN BY	DW, LLC.	JOB No.	DRG No.
DATE DRAWN	03/02/2018		17

BILL OF MATERIAL

MARK	QTY	DESCRIPTION	LENGTH	WEIGHT	REMARKS
18B1	1	BEAM			BEV-2
18B1	1	HSS10X6X5/16	3'-8 1/2"	111	SHOP PRIMER A500-GR.B
p74	1	PL3/8"X9 11/16"	0'-10 15/16"	10	SHOP PRIMER A36
18B2	1	BEAM			BEV-2
18B2	1	HSS12X6X3/8	9'-0 3/8"	363	SHOP PRIMER A500-GR.B
18B3	1	BEAM			BEV-2
18B3	1	HSS12X6X3/8	2'-5 7/16"	99	SHOP PRIMER A500-GR.B
18B4	5	BEAMS			SO-1/BEV-1
18B4	5	HSS10X6X5/16	4'-10 9/16"	727	SHOP PRIMER A500-GR.B
p74	1	PL3/8"X9 11/16"	0'-10 15/16"	10	SHOP PRIMER A36
18B5	1	BEAM			BEV-2
18B5	1	HSS10X6X5/16	11'-11 1/16"	355	SHOP PRIMER A500-GR.B
p74	1	PL3/8"X9 11/16"	0'-10 15/16"	10	SHOP PRIMER A36
18B6	1	BEAM			BEV-2
18B6	1	HSS10X6X5/16	20'-1 5/8"	600	SHOP PRIMER A500-GR.B
p74	1	PL3/8"X9 11/16"	0'-10 15/16"	10	SHOP PRIMER A36
18B7	1	BEAM			SO-1/BEV-1
18B7	1	HSS10X6X5/16	25'-4 5/8"	757	SHOP PRIMER A500-GR.B
p39	1	FL3/8"X6"	0'-10"	6	A36
18B8	1	BEAM			SO-1/BEV-1
18B8	1	HSS10X6X5/16	28'-6"	850	SHOP PRIMER A500-GR.B
p39	1	FL3/8"X6"	0'-10"	6	A36
18B9	10	BEAMS			SO-2
18B9	10	HSS10X6X5/16	32'-5 7/16"	9675	SHOP PRIMER A500-GR.B
p39	20	FL3/8"X6"	0'-10"	128	A36
TOTAL WEIGHT THIS DRAWING				13708	



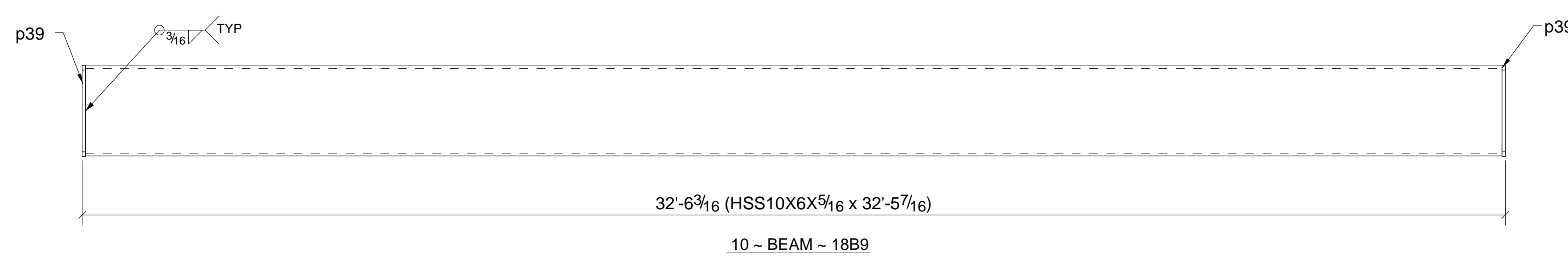
5 - BEAM - 18B4

1 - BEAM - 18B5

1 - BEAM - 18B7



1 - BEAM - 18B8



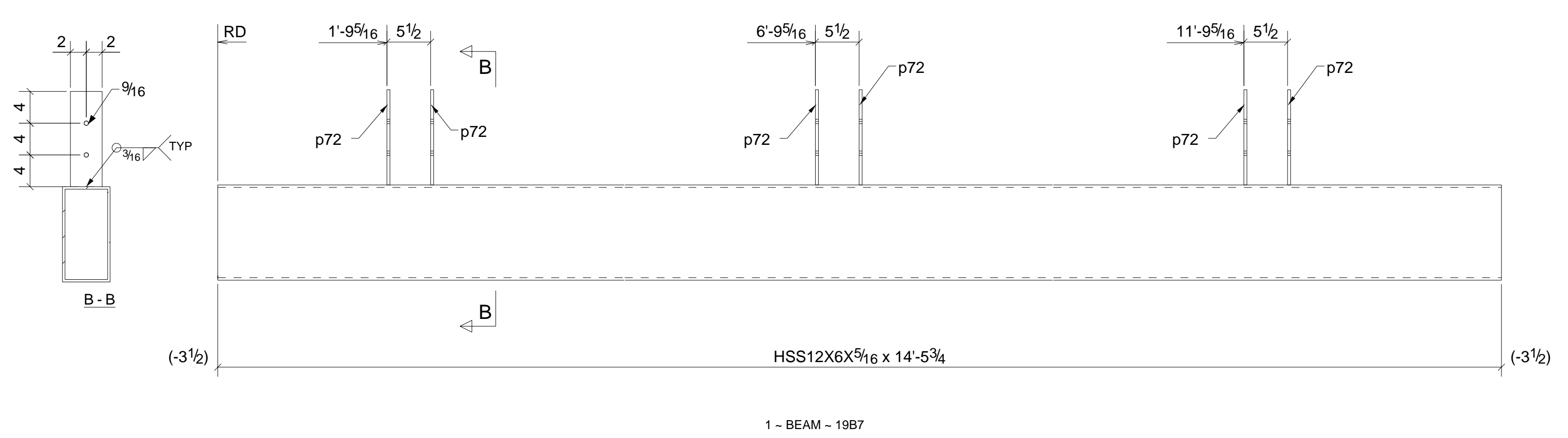
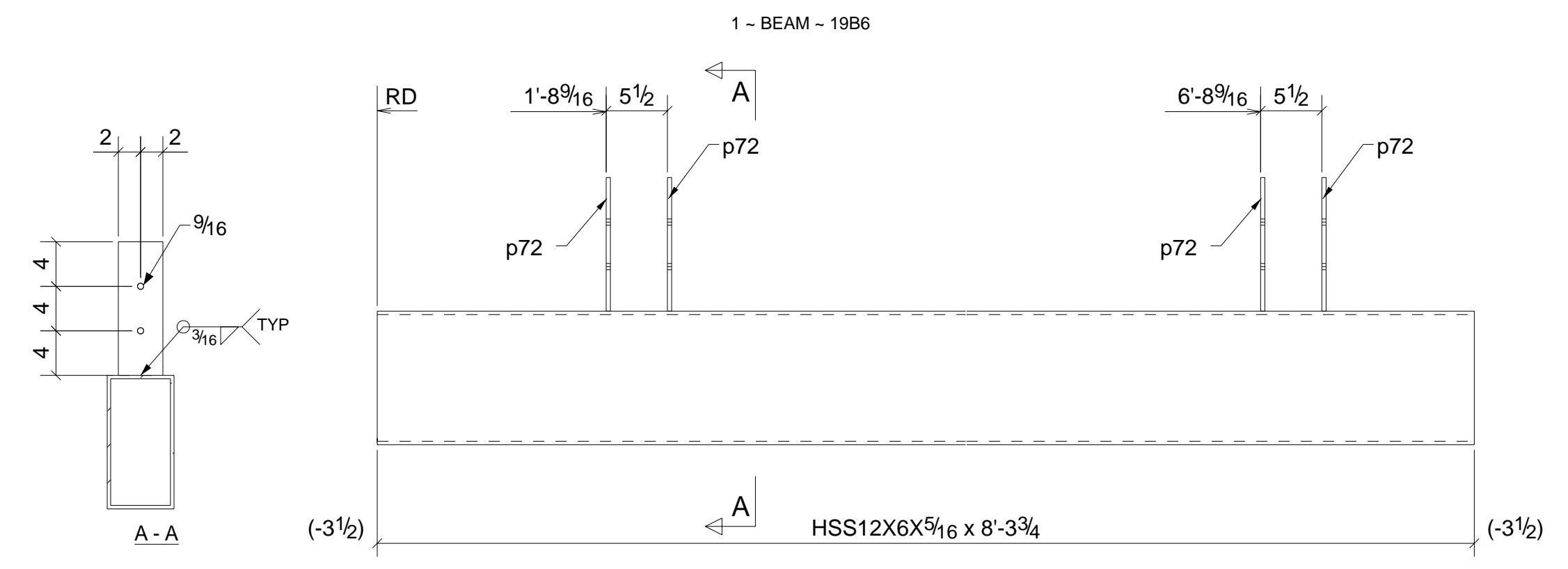
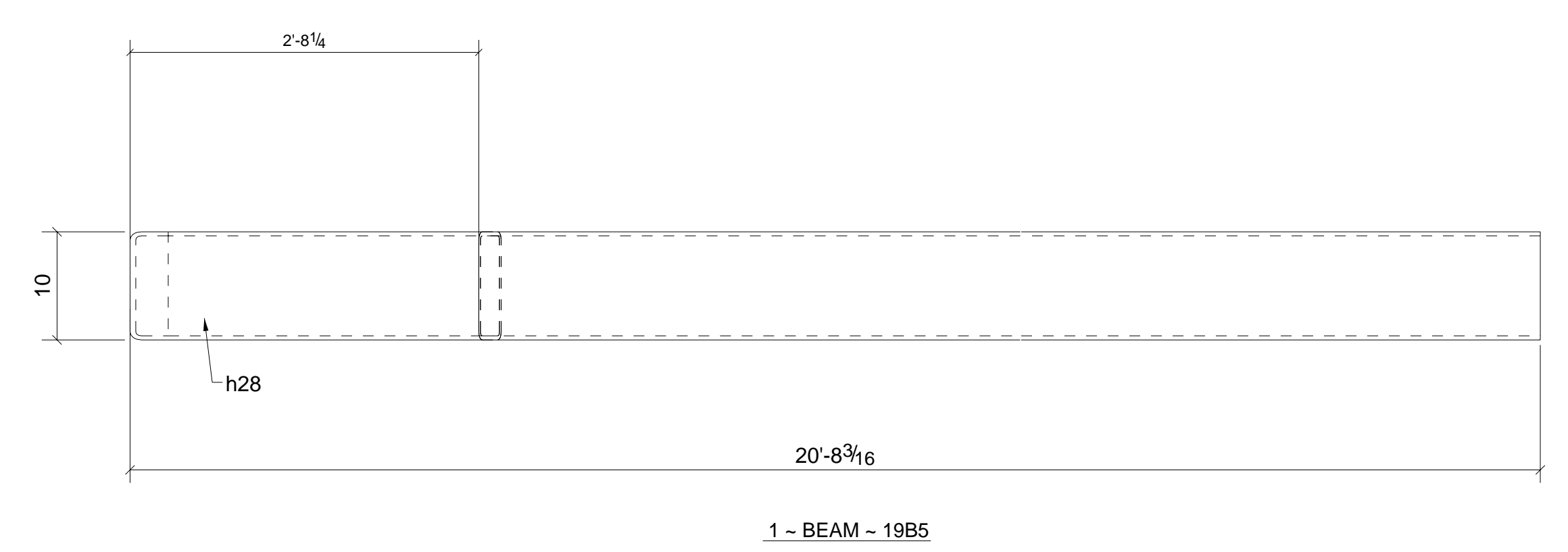
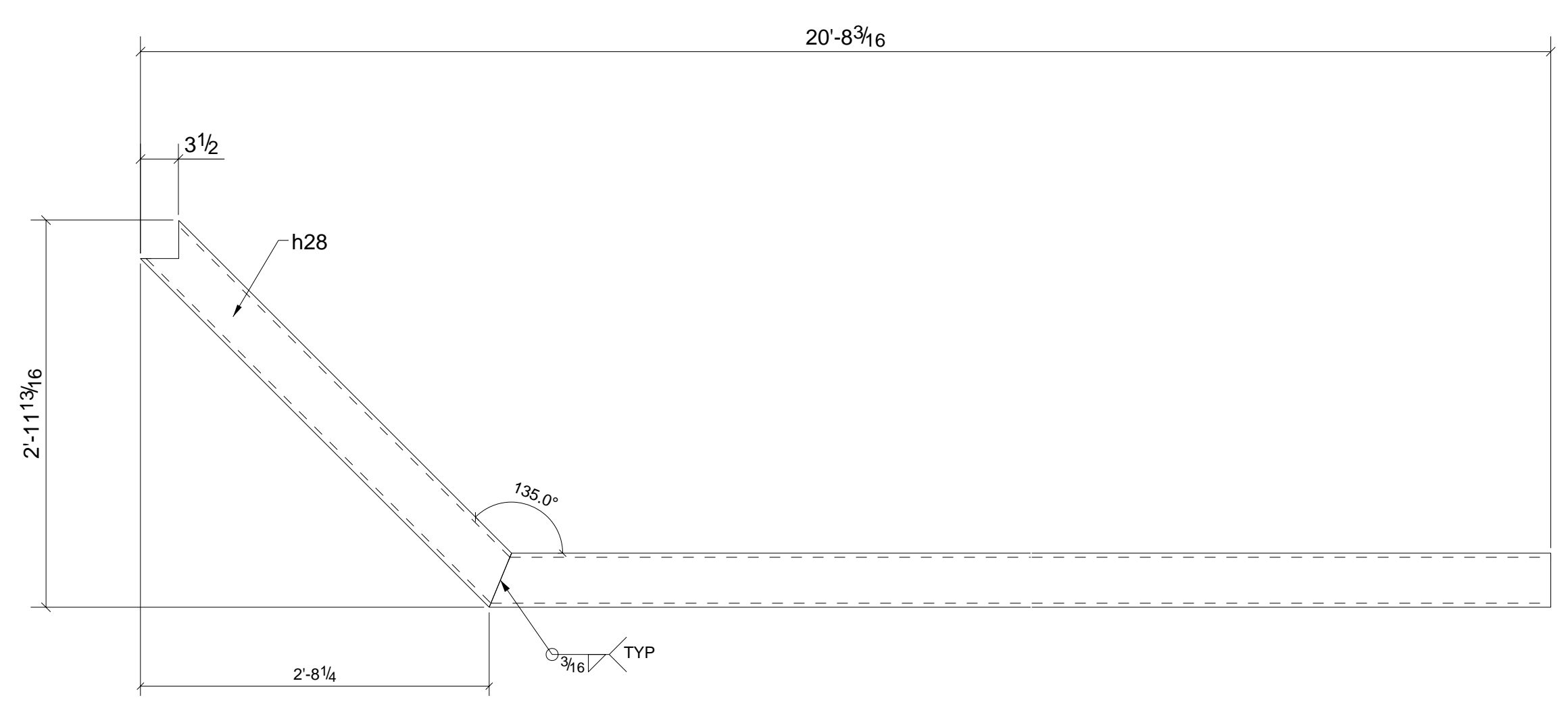
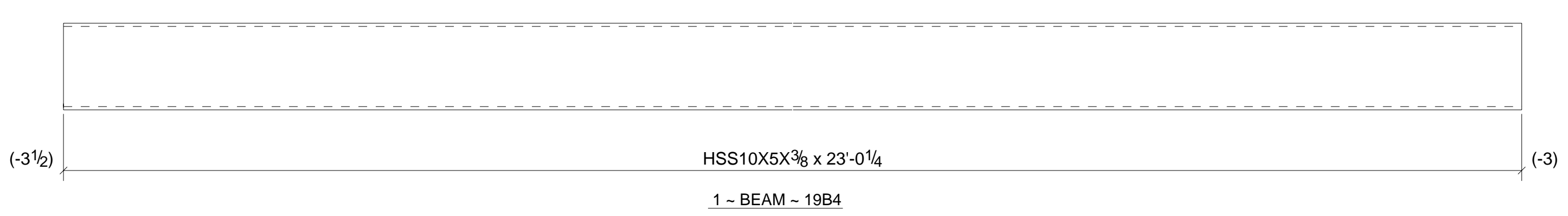
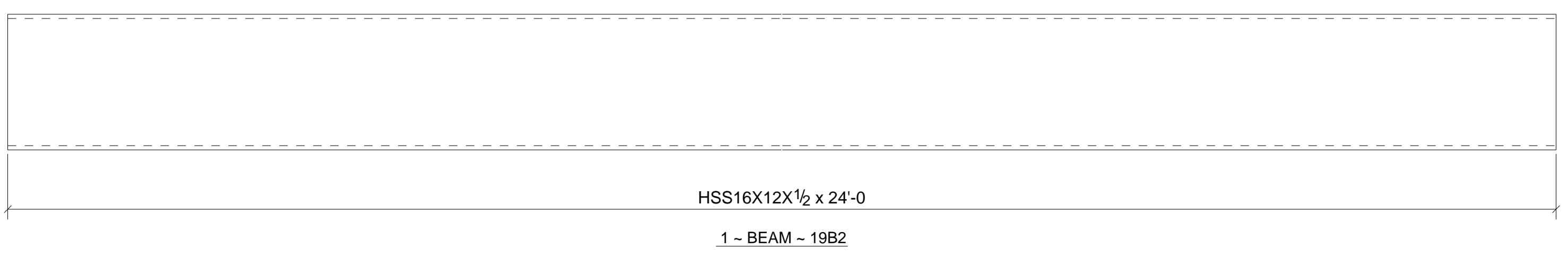
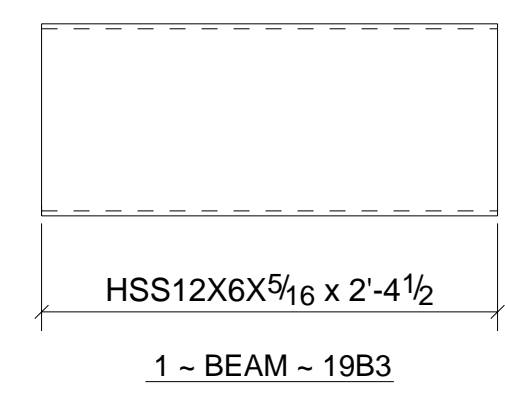
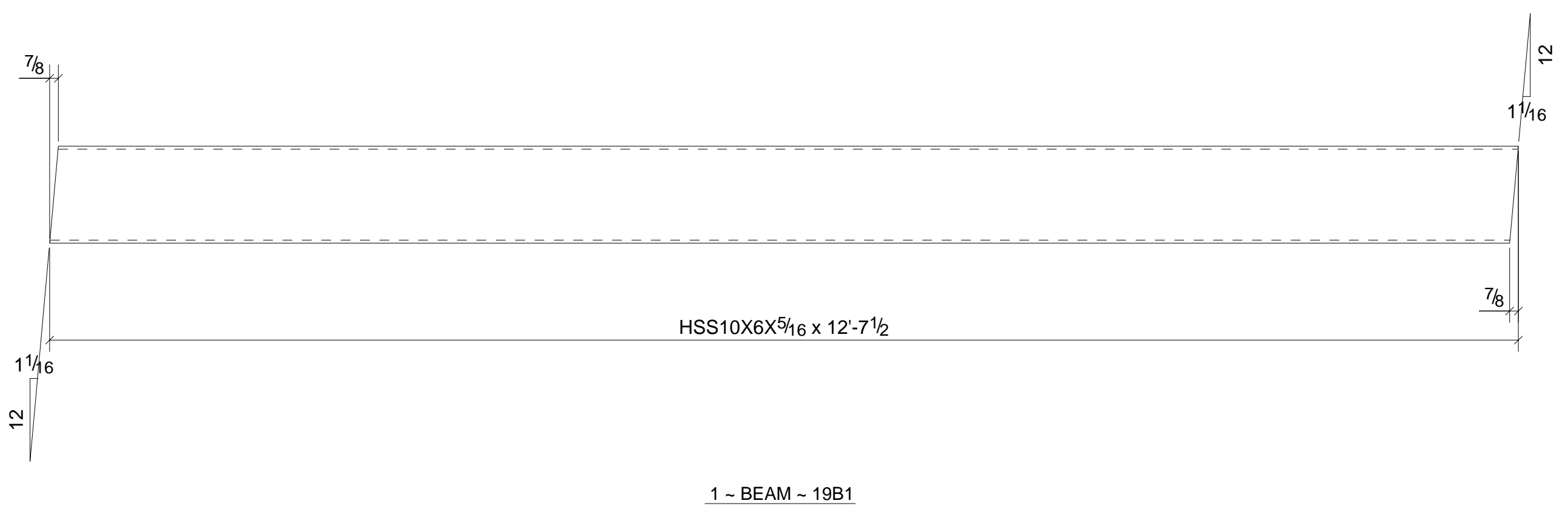
0	ISSUED FOR APPROVAL	03.05.18
REV	DESCRIPTION	DATE

D&R STEEL WORKS
 15385 HWY 90 E
 CASTROVILLE, TX 78009

DESCRIPTION	HONDO MEDICAL CENTER		
DRAWN BY	DW, LLC.	JOB No.	DRG No.
DATE DRAWN	03/04/2018		18

BILL OF MATERIAL

MARK	QTY	DESCRIPTION	LENGTH	WEIGHT	REMARKS
19B1	1	BEAM			BEV-2
19B1	1	HSS10X6X5/16	12'-7 1/2"	376	SHOP PRIMER A500-GR.B
19B2	1	BEAM			SO-2
19B2	1	HSS16X12X1/2	24'-0"	2009	SHOP PRIMER A500-GR.B
19B3	1	BEAM			SO-2
19B3	1	HSS12X6X5/16	2'-4 1/2"	80	SHOP PRIMER A500-GR.B
19B4	1	BEAM			SO-2
19B4	1	HSS10X5X3/8	23'-0 1/4"	758	SHOP PRIMER A500-GR.B
19B5	1	BEAM			SO-1/BEV-1
19B5	1	HSS10X5X3/8	17'-11 15/16"	592	SHOP PRIMER A500-GR.B
h28	1	HSS10X5X3/8	3'-9 5/8"	125	SHOP PRIMER A500-GR.B
19B6	1	BEAM			SO-2
19B6	1	HSS12X6X5/16	8'-3 3/4"	281	SHOP PRIMER A500-GR.B
p72	4	FL3/8"x4"	1'-0"	20	SHOP PRIMER A36
19B7	1	BEAM			SO-2
19B7	1	HSS12X6X5/16	14'-5 3/4"	489	SHOP PRIMER A500-GR.B
p72	6	FL3/8"x4"	1'-0"	30	SHOP PRIMER A36
TOTAL WEIGHT THIS DRAWING				4761	



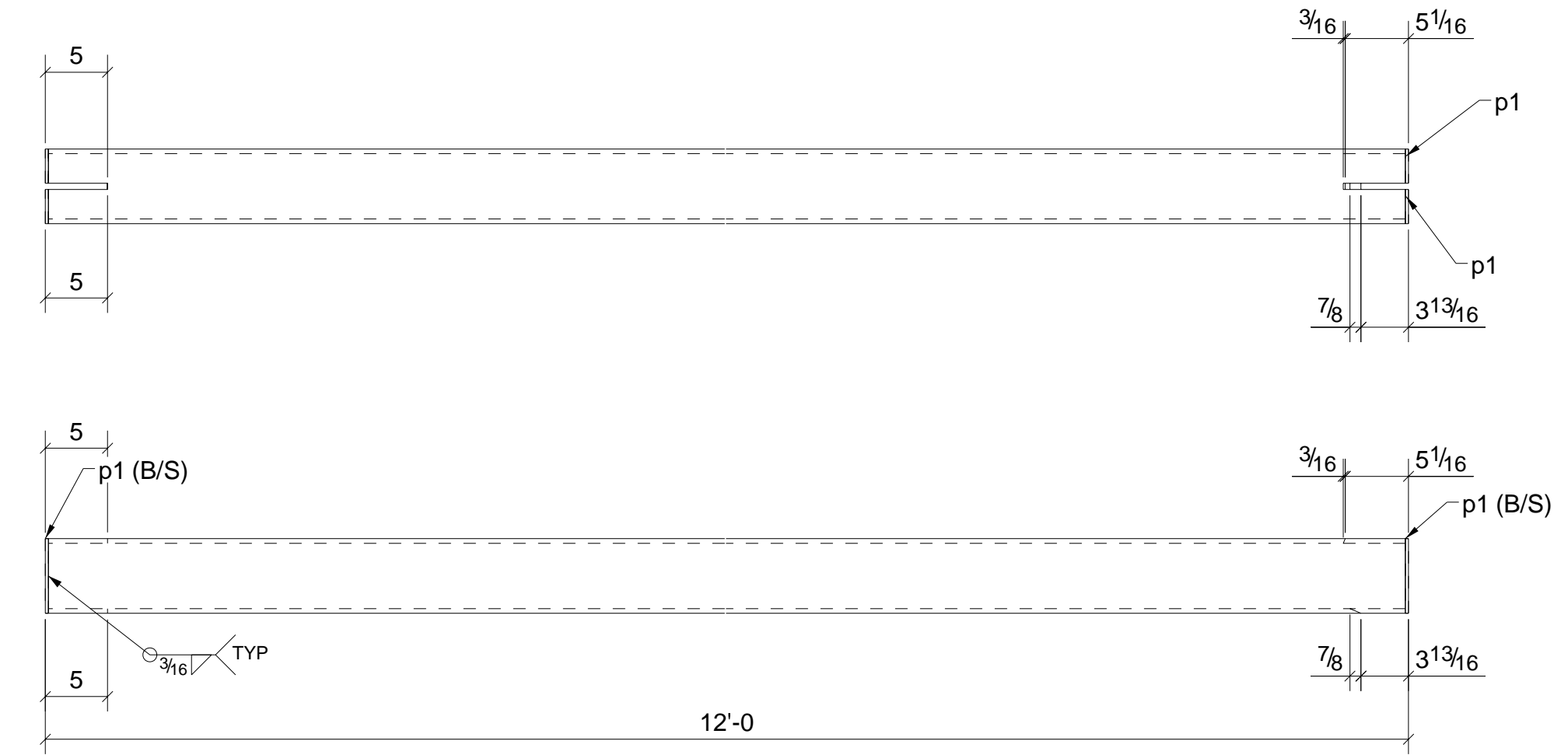
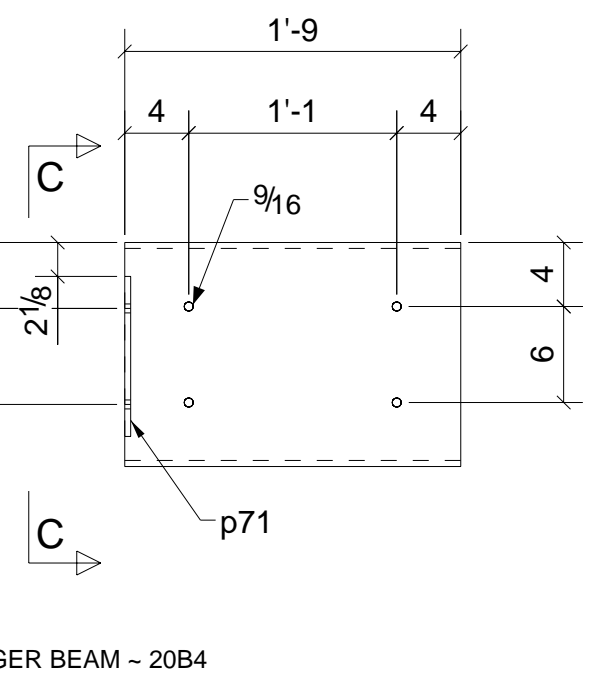
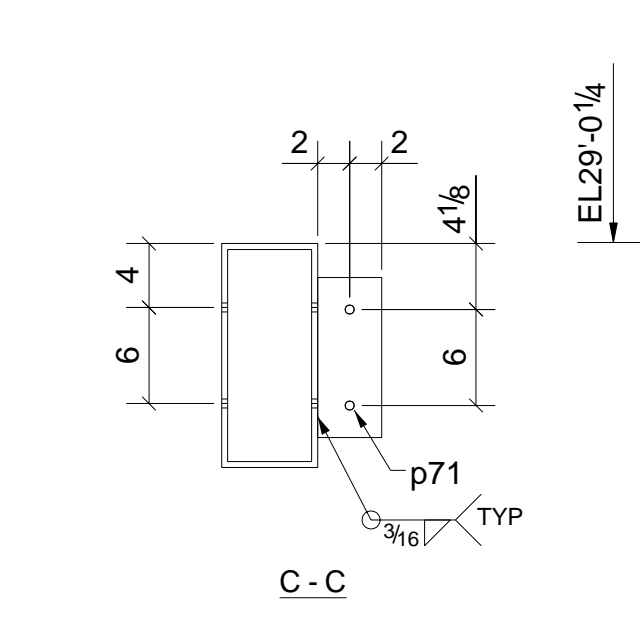
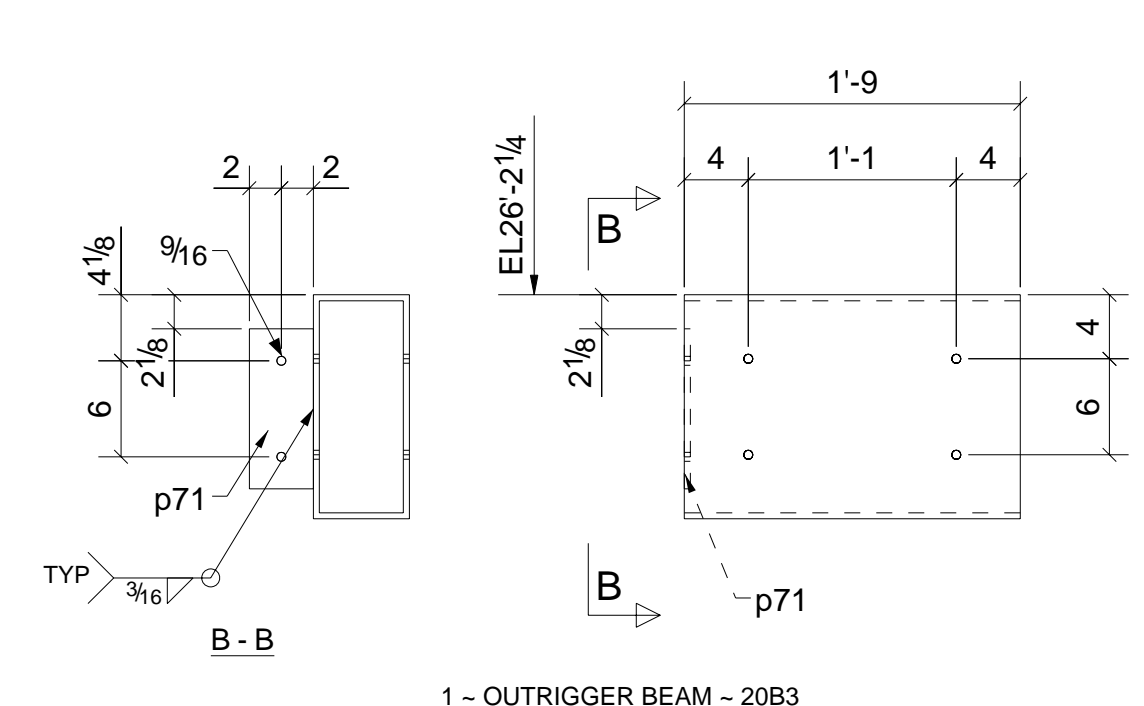
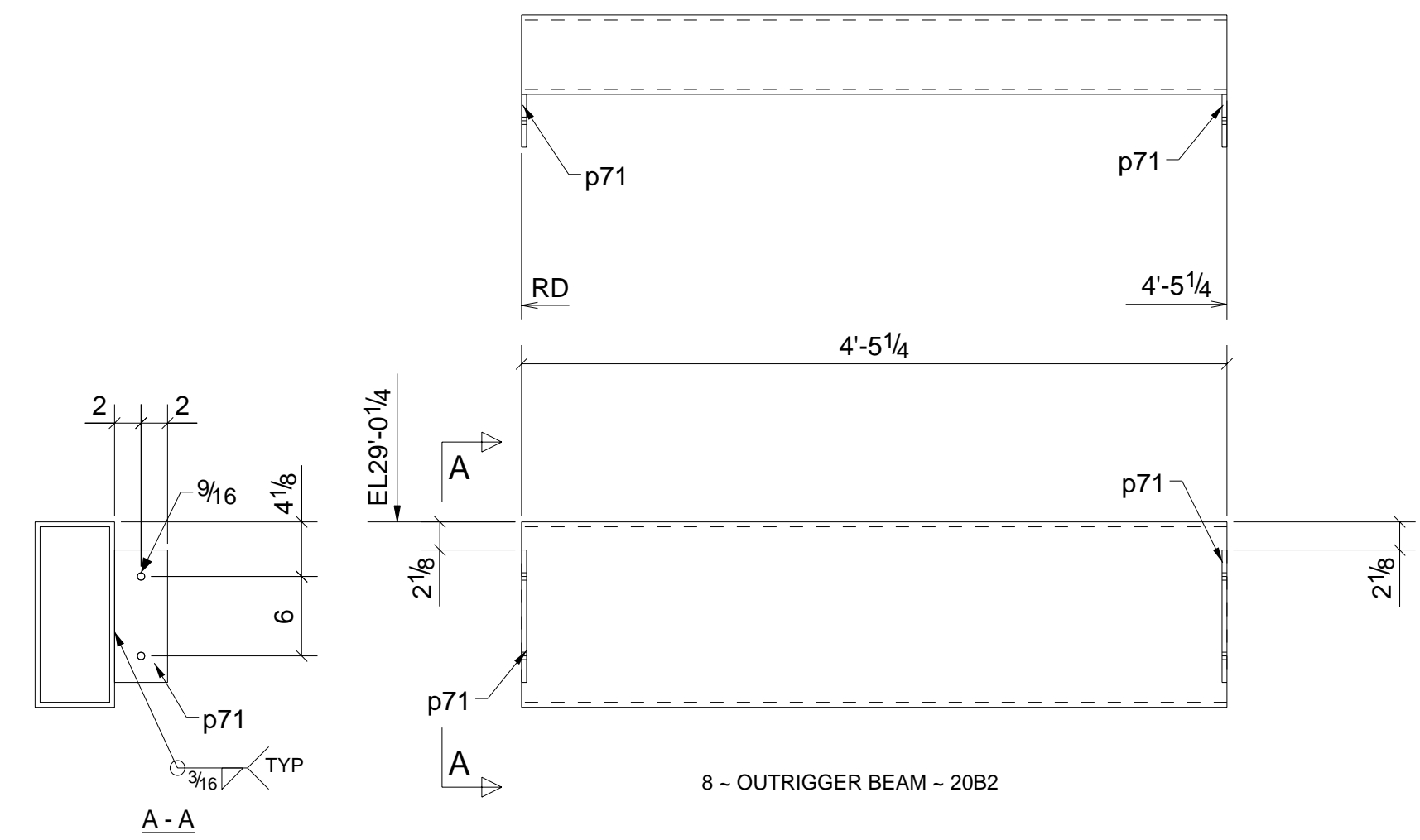
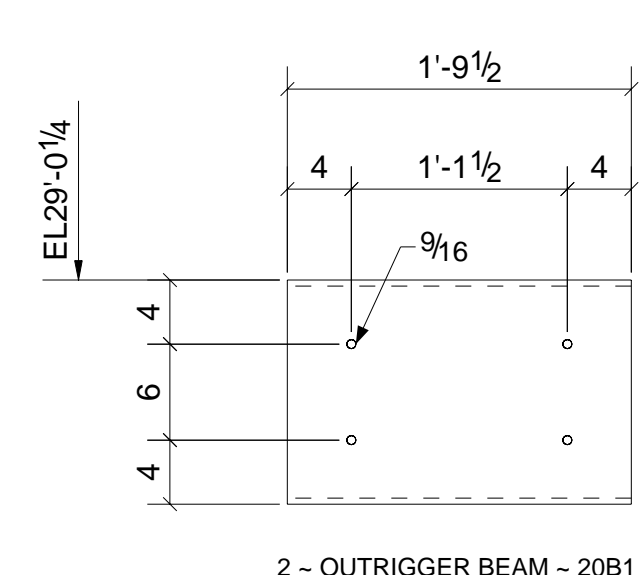
0	ISSUED FOR APPROVAL	03.05.18
REV	DESCRIPTION	DATE

D&R STEEL WORKS
 15385 HWY 90 E.
 CASTROVILLE, TX 78009

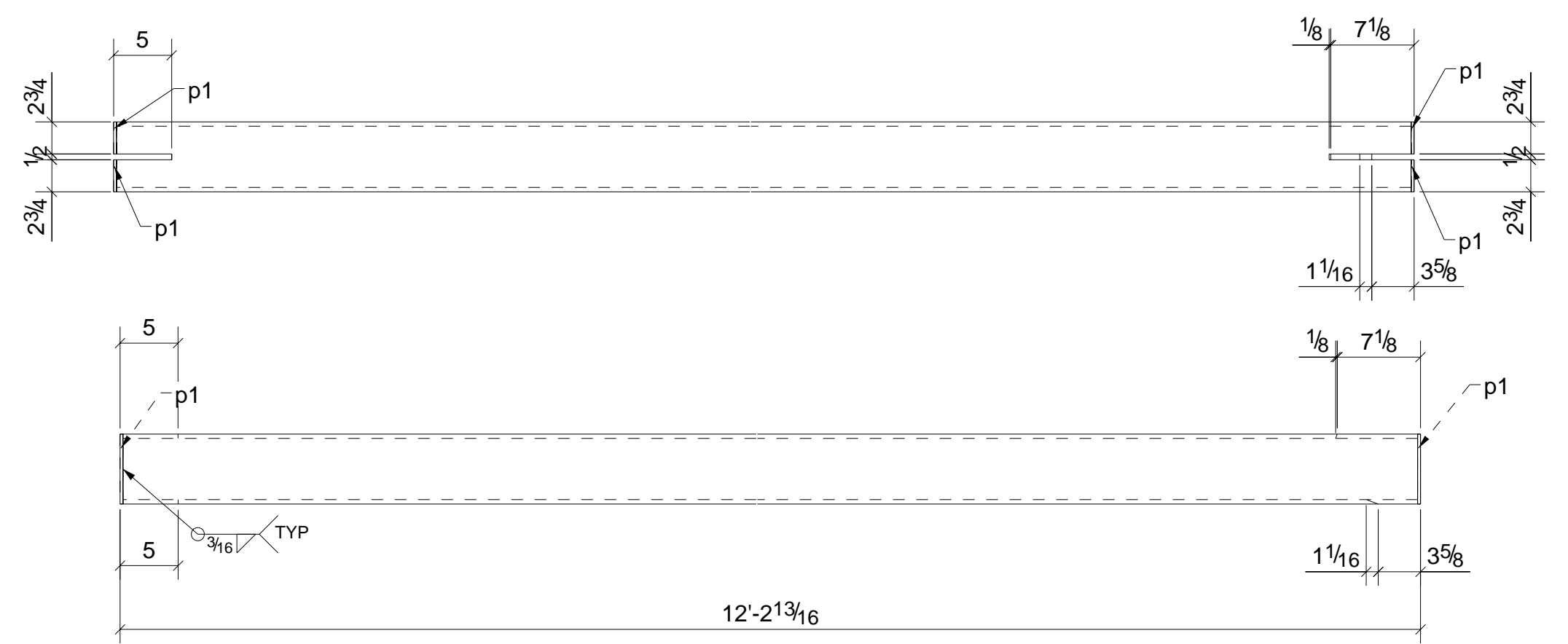
DESCRIPTION			
PROJECT NAME	HONDO MEDICAL CENTER		
DRAWN BY	DW, LLC.	JOB No.	DRG No.
DATE DRAWN	03/04/2018		19

BILL OF MATERIAL

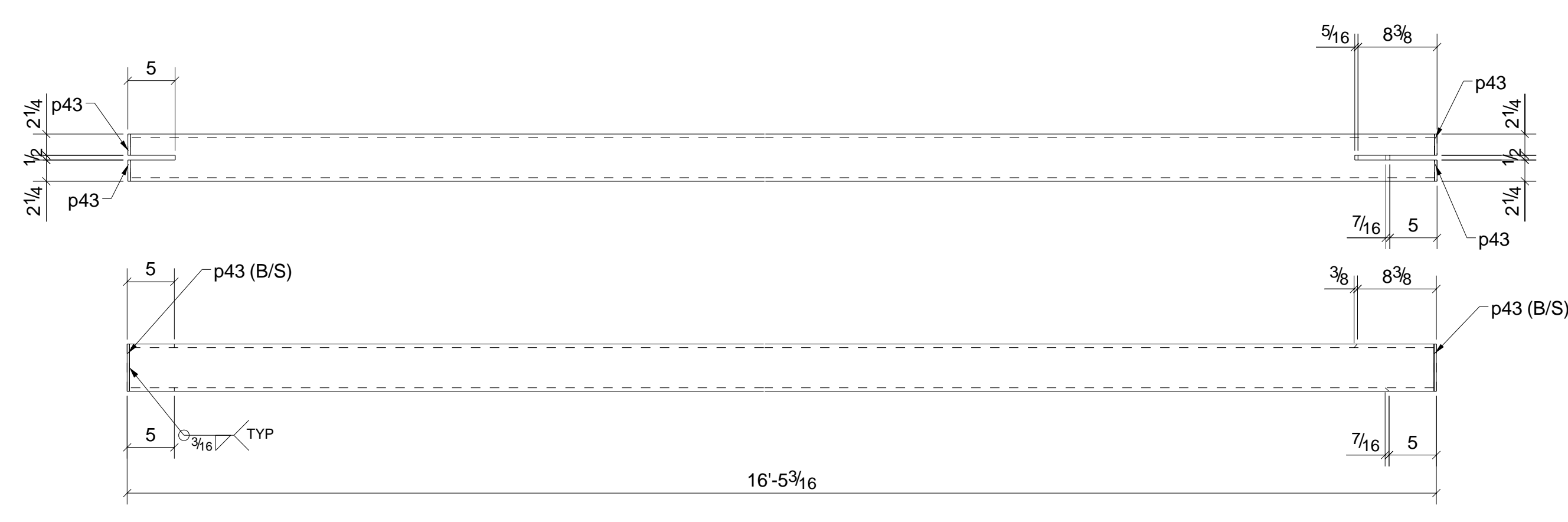
MARK	QTY	DESCRIPTION	LENGTH	WEIGHT	REMARKS
20B1	2	OUTRIGGER BEAMS			SO-2
20B1	2	HSS14X6X3/8	1'-9 1/2"	161	SHOP PRIMER A500-GR.B
20B2	8	OUTRIGGER BEAMS			SO-2
20B2	8	HSS14X6X3/8	4'-5 1/4"	1595	SHOP PRIMER A500-GR.B
p71	16	FL3/8"X4"	0'-10"	67	SHOP PRIMER A36
20B3	1	OUTRIGGER BEAM			SO-2
20B3	1	HSS14X6X3/8	1'-9"	79	SHOP PRIMER A500-GR.B
p71	1	FL3/8"X4"	0'-10"	4	SHOP PRIMER A36
20B4	1	OUTRIGGER BEAM			SO-2
20B4	1	HSS14X6X3/8	1'-9"	79	SHOP PRIMER A500-GR.B
p71	1	FL3/8"X4"	0'-10"	4	SHOP PRIMER A36
20CB1	1	CROSSBRACING			SO-2
20CB1	1	HSS6X6X3/8	11'-11 1/2"	309	SHOP PRIMER A500-GR.B
p1	4	FL1/4"X2 3/4"	0'-6"	5	SHOP PRIMER A36
20CB2	1	CROSSBRACING			SO-2
20CB2	1	HSS6X6X3/8	12'-2 5/16"	315	SHOP PRIMER A500-GR.B
p1	4	FL1/4"X2 3/4"	0'-6"	5	SHOP PRIMER A36
20CB3	1	CROSSBRACING			SO-2
20CB3	1	HSS5X5X3/8	16'-4 11/16"	345	SHOP PRIMER A500-GR.B
p43	4	FL1/4"X2 1/4"	0'-5"	3	SHOP PRIMER A36
20CB4	1	CROSSBRACING			SO-2
20CB4	1	HSS6X6X3/8	17'-8 1/2"	457	SHOP PRIMER A500-GR.B
p1	4	FL1/4"X2 3/4"	0'-6"	5	SHOP PRIMER A36
20CB5	1	CROSSBRACING			SO-2
20CB5	1	HSS5X5X3/8	16'-2 13/16"	341	SHOP PRIMER A500-GR.B
p43	4	FL1/4"X2 1/4"	0'-5"	3	SHOP PRIMER A36
TOTAL WEIGHT THIS DRAWING				3775	



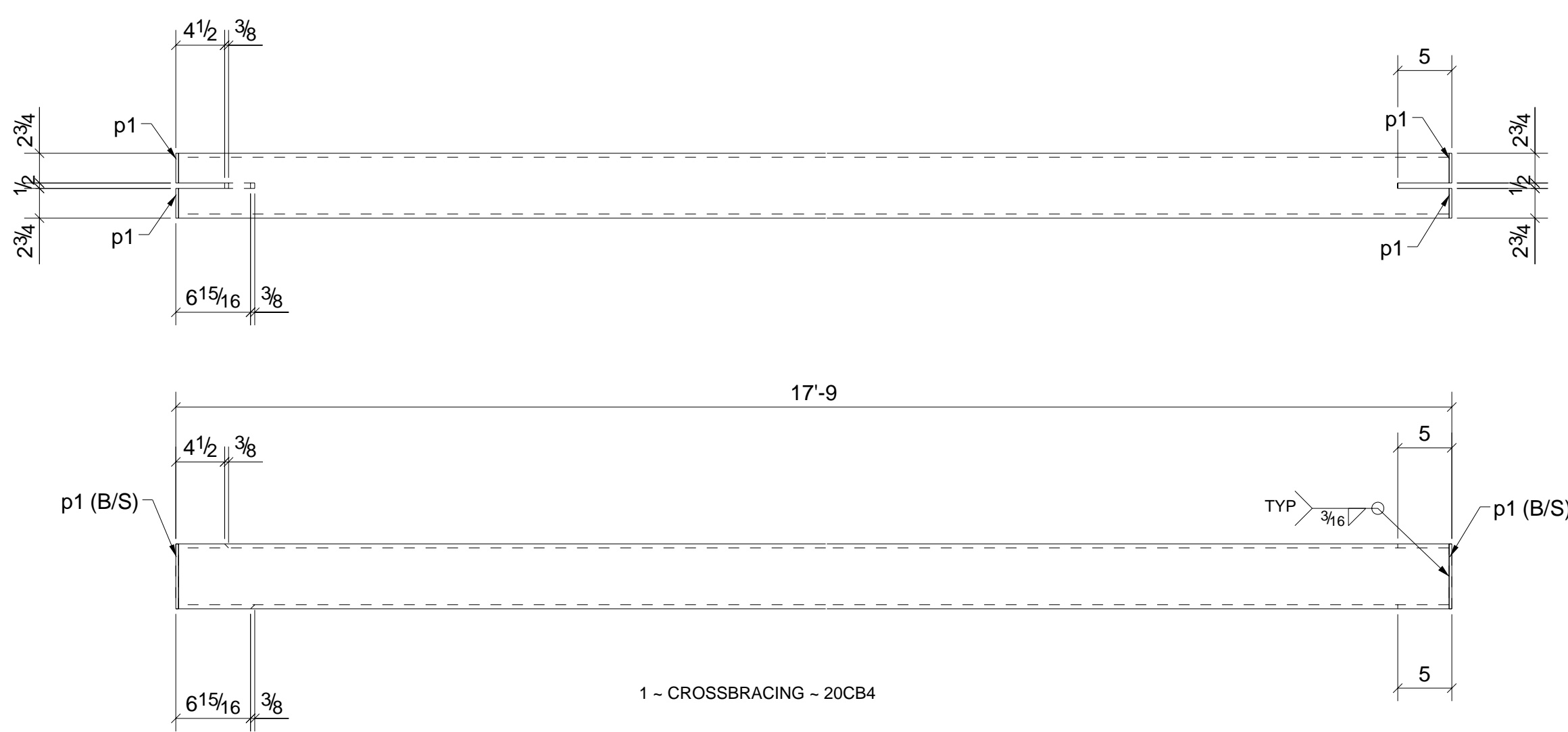
1 - CROSSBRACING - 20CB1



1 - CROSSBRACING - 20CB2



1 - CROSSBRACING - 20CB3



1 - CROSSBRACING - 20CB4



1 - CROSSBRACING - 20CB5

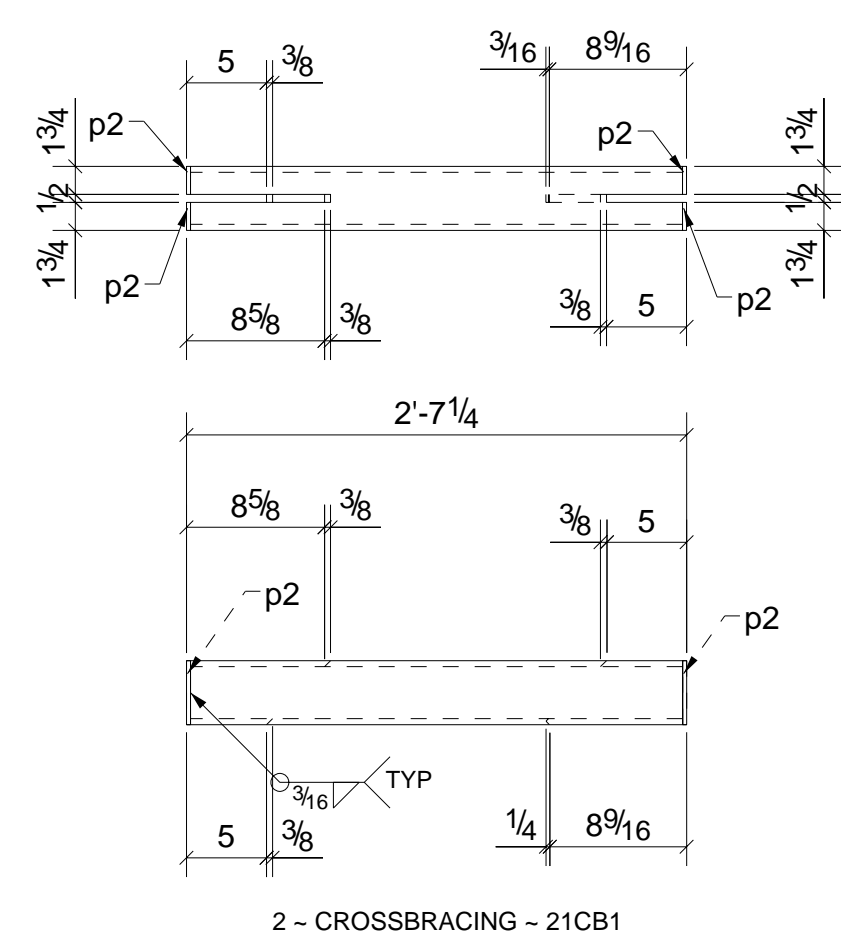
0	ISSUED FOR APPROVAL	03.05.18
REV	DESCRIPTION	DATE

D&R STEEL WORKS
 15385 HWY 90 E
 CASTROVILLE, TX 78009

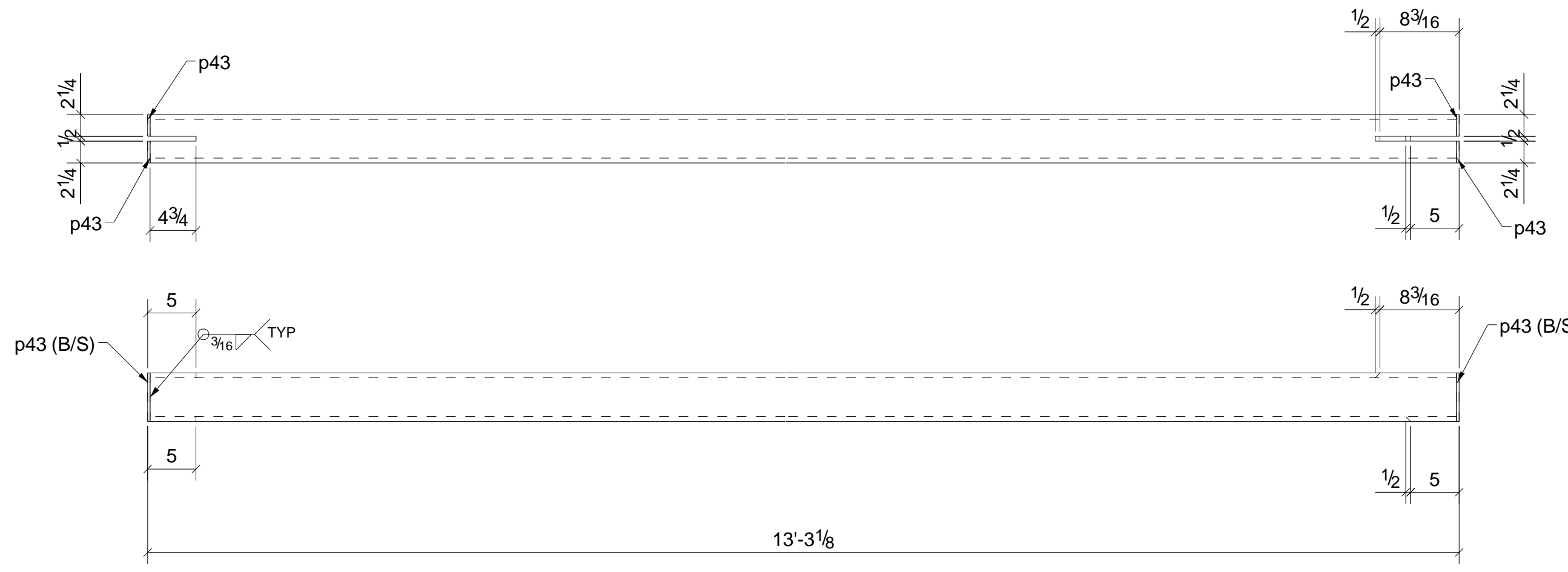
DESCRIPTION	HONDO MEDICAL CENTER		
PROJECT NAME	DW, LLC.	JOB No.	DRG No.
DATE DRAWN	03/04/2018		20

BILL OF MATERIAL

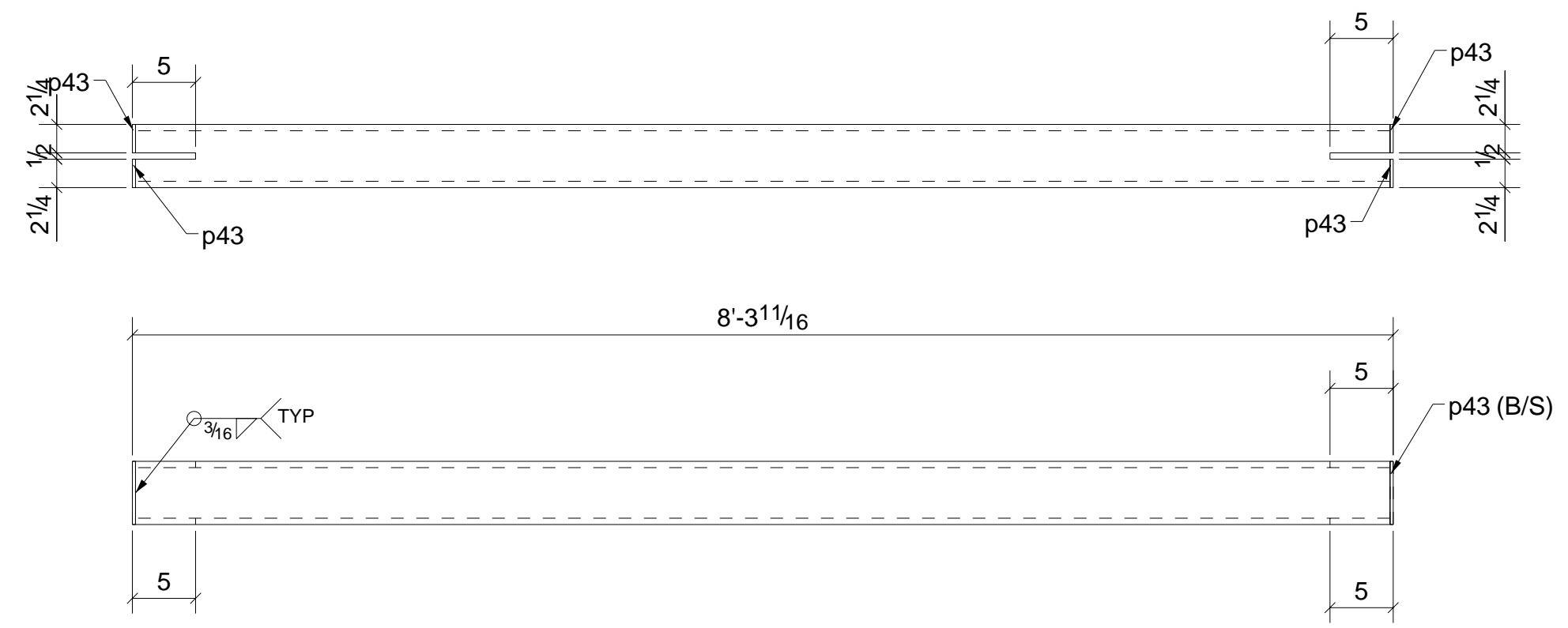
MARK	QTY	DESCRIPTION	LENGTH	WEIGHT	REMARKS
21CB1	2	CROSSBRACINGS			SO-2
21CB1	2	HSS4X4X3/8	2'-6 3/4"	83	SHOP PRIMER A500-GR.B
p2	8	FL1/4"X1 3/4"	0'-4"	4	SHOP PRIMER A36
21CB2	1	CROSSBRACING			SO-2
21CB2	1	HSS5X5X1/2	13'-2 5/8"	354	SHOP PRIMER A500-GR.B
p43	4	FL1/4"X2 1/4"	0'-5"	3	SHOP PRIMER A36
21CB3	1	CROSSBRACING			SO-2
21CB3	1	HSS5X5X1/2	8'-3 3/16"	222	SHOP PRIMER A500-GR.B
p43	4	FL1/4"X2 1/4"	0'-5"	3	SHOP PRIMER A36
21CB4	1	CROSSBRACING			SO-2
21CB4	1	HSS5X5X1/2	14'-8 3/4"	395	SHOP PRIMER A500-GR.B
p43	4	FL1/4"X2 1/4"	0'-5"	3	SHOP PRIMER A36
21CB5	2	CANOPY BEAMS			SO-2
21CB5	2	HSS4X4X3/8	22'-3 3/4"	726	SHOP PRIMER A500-GR.B
p6	24	FL3/8"X3 3/4"	0'-7 1/4"	69	A36
p7	48	FL3/8"X7 1/4"	0'-8"	286	A36
21CB6	1	CROSSBRACING			SO-2
21CB6	1	HSS5X5X3/8	13'-1 9/16"	276	SHOP PRIMER A500-GR.B
p43	4	FL1/4"X2 1/4"	0'-5"	3	SHOP PRIMER A36
21CB7	2	CROSS BRACES			SO-2
21CB7	2	L3X3X1/4	6'-0 3/4"	59	SHOP PRIMER A36
TOTAL WEIGHT THIS DRAWING				2488	



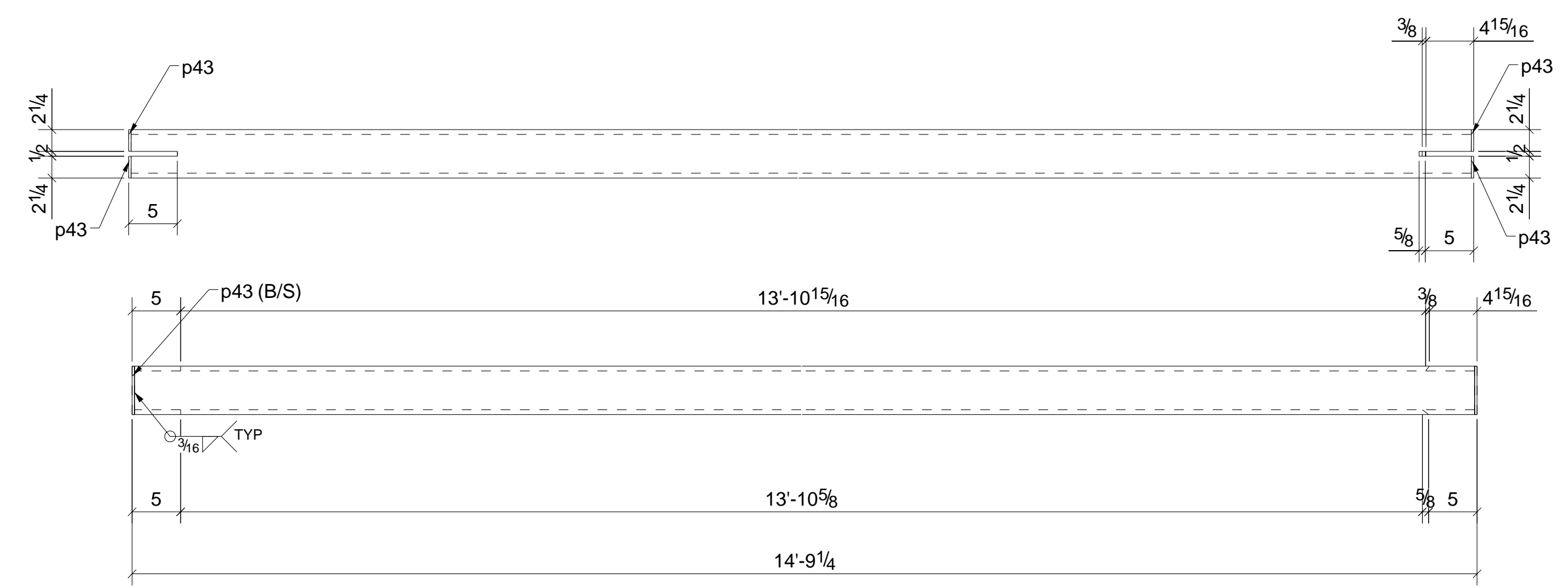
2 - CROSSBRACING - 21CB1



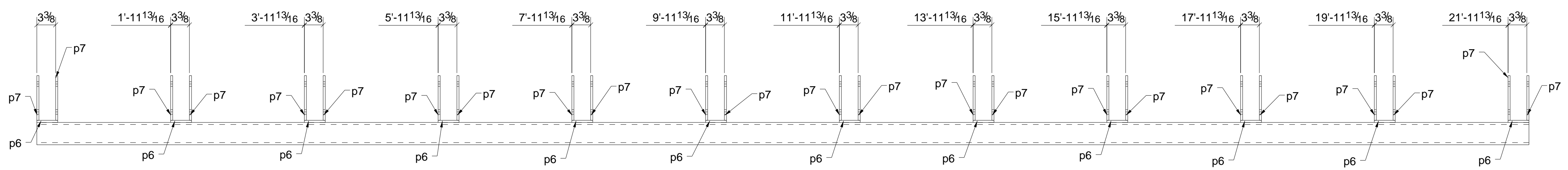
1 - CROSSBRACING - 21CB2



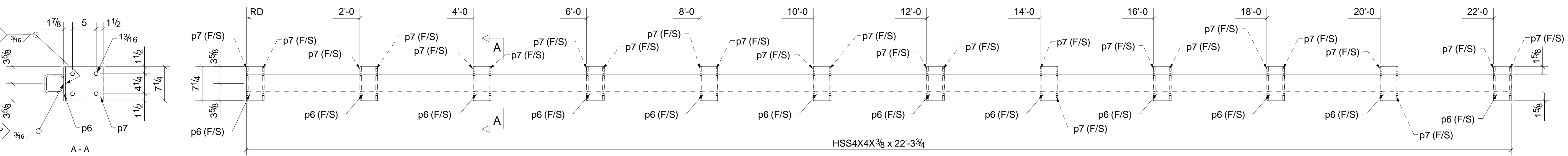
1 - CROSSBRACING - 21CB3



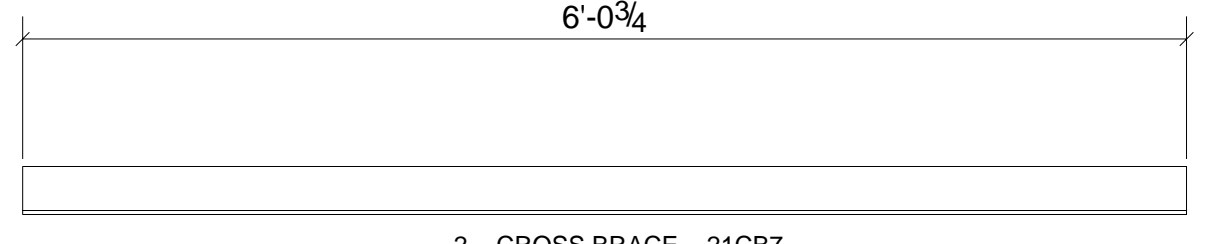
1 - CROSSBRACING - 21CB4



2 - CANOPY BEAM - 21CB5



1 - CROSSBRACING - 21CB6



2 - CROSS BRACE - 21CB7

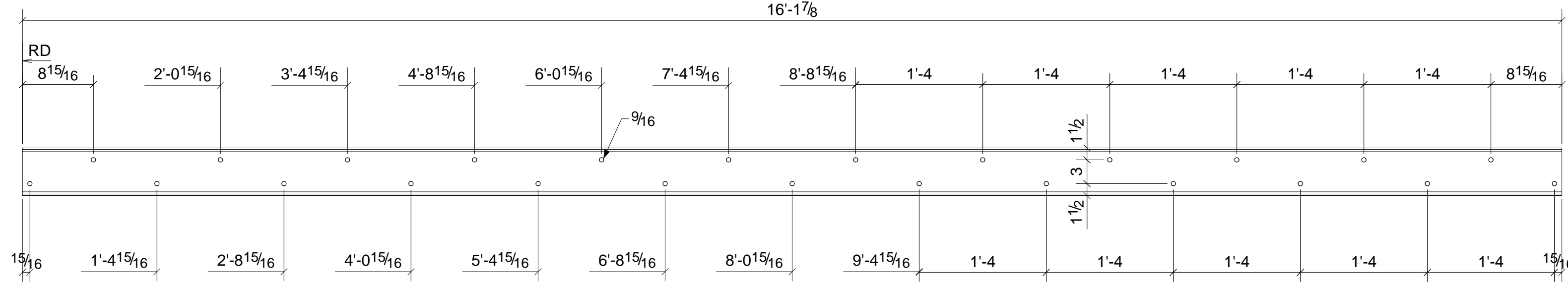
0	ISSUED FOR APPROVAL	03.05.18
REV	DESCRIPTION	DATE

D&R STEEL WORKS
 15385 HWY 90 E
 CASTROVILLE, TX 78009

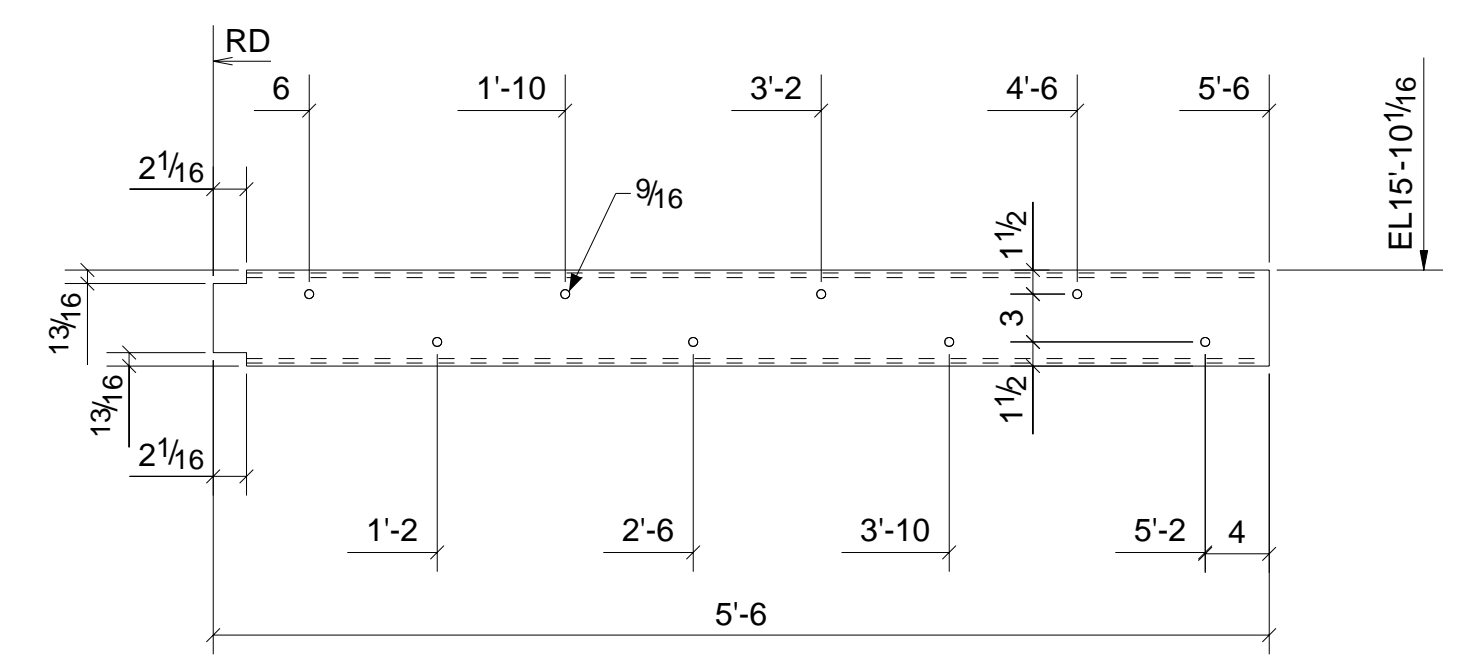
DESCRIPTION	HONDO MEDICAL CENTER		
PROJECT NAME	HONDO MEDICAL CENTER		
DRAWN BY	DW, LLC.	JOB No.	DRG No.
DATE DRAWN	03/04/2018		21

BILL OF MATERIAL

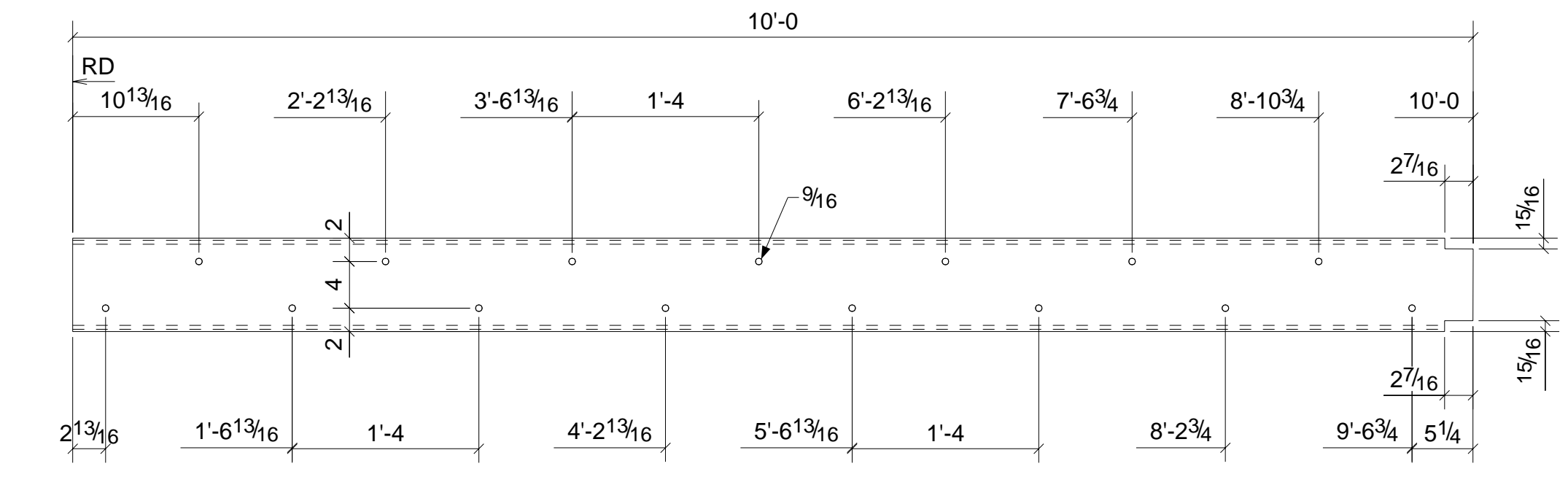
MARK	QTY	DESCRIPTION	LENGTH	WEIGHT	REMARKS
23CF1	2	C6 FRAMINGS			SO-2
23CF1	2	C6X8.2	16'-1 7/8"	263	SHOP PRIMER A36
23CF2	9	C6 FRAMINGS			SO-2
23CF2	9	C6X8.2	5'-6"	403	SHOP PRIMER A36
23CF3	1	C8 FRAMING			SO-2
23CF3	1	C8X11.5	28'-10 1/2"	331	SHOP PRIMER A36
23CF4	15	C8 FRAMINGS			SO-1/BEV-1
23CF4	15	C8X11.5	10'-0"	1721	SHOP PRIMER A36
23CF5	1	C8 FRAMING			SO-2
23CF5	1	C8X11.5	10'-0 1/16"	115	SHOP PRIMER A36
23CF6	15	C8 FRAMINGS			SO-2
23CF6	15	C8X11.5	10'-6"	1806	SHOP PRIMER A36
23CF7	1	C8 FRAMING			SO-2
23CF7	1	C8X11.5	10'-6"	120	SHOP PRIMER A36
23CF8	1	C8 FRAMING			SO-2
23CF8	1	C8X11.5	28'-10 1/2"	331	SHOP PRIMER A36
TOTAL WEIGHT THIS DRAWING				5090	



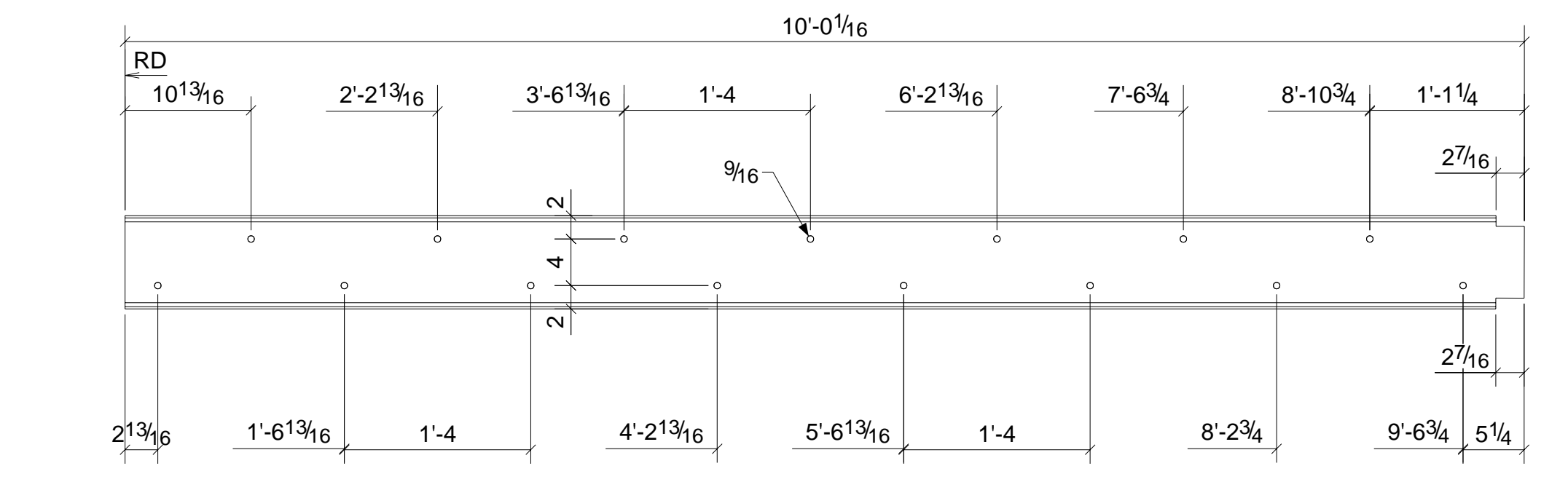
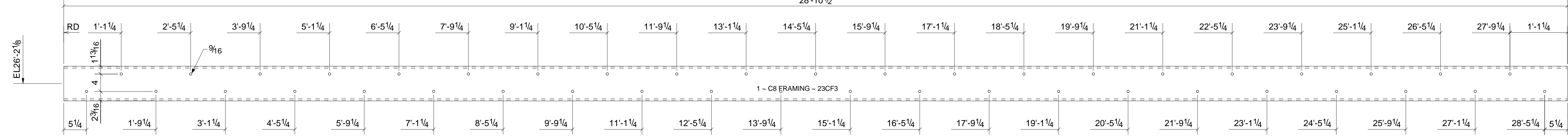
2 - C6 FRAMING - 23CF1



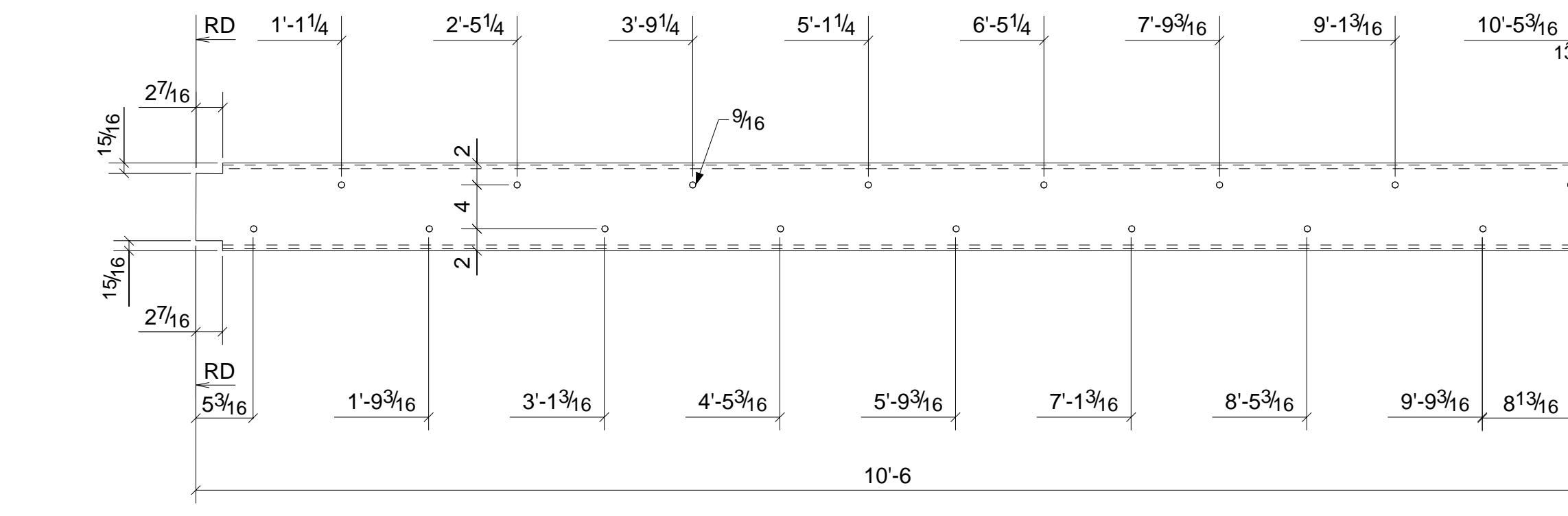
9 - C6 FRAMING - 23CF2



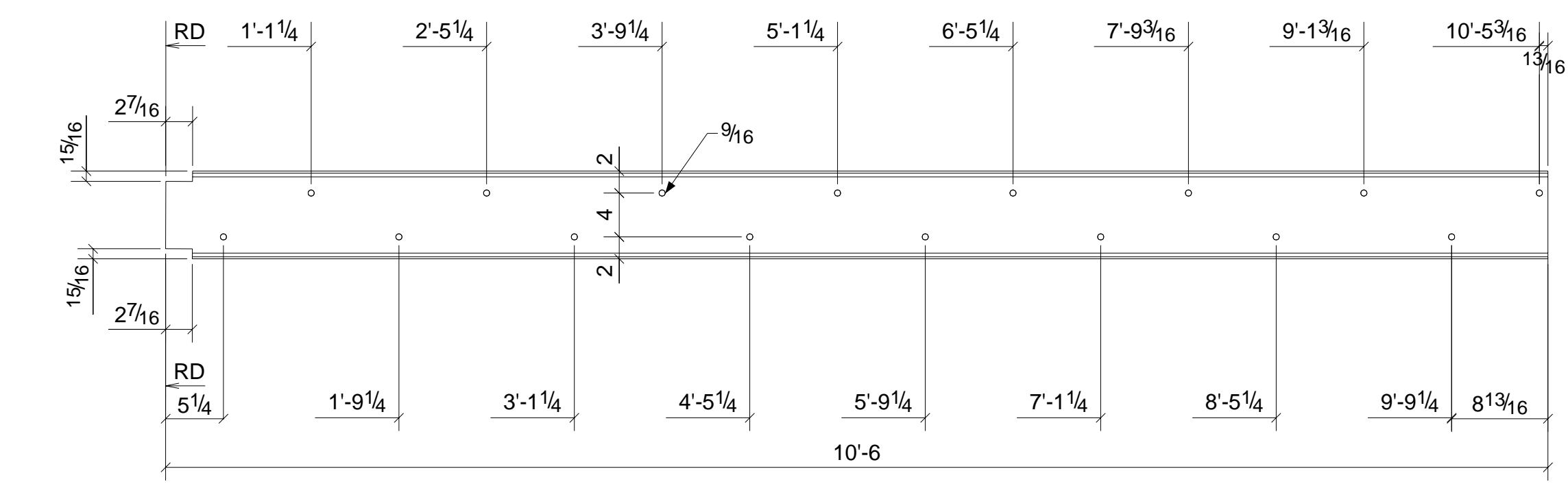
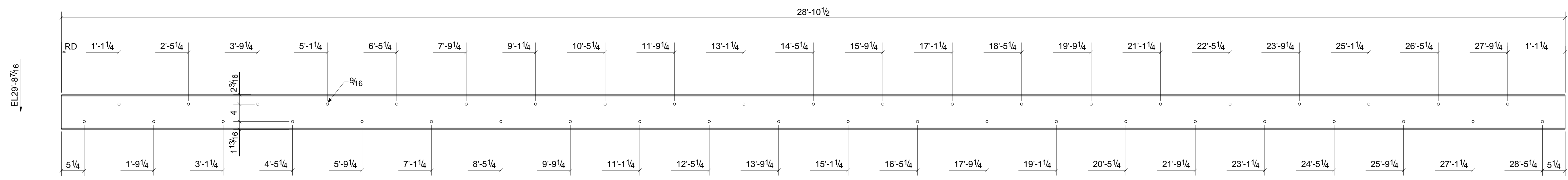
15 - C8 FRAMING - 23CF4



1 - C8 FRAMING - 23CF5



15 - C8 FRAMING - 23CF6



1 - C8 FRAMING - 23CF7

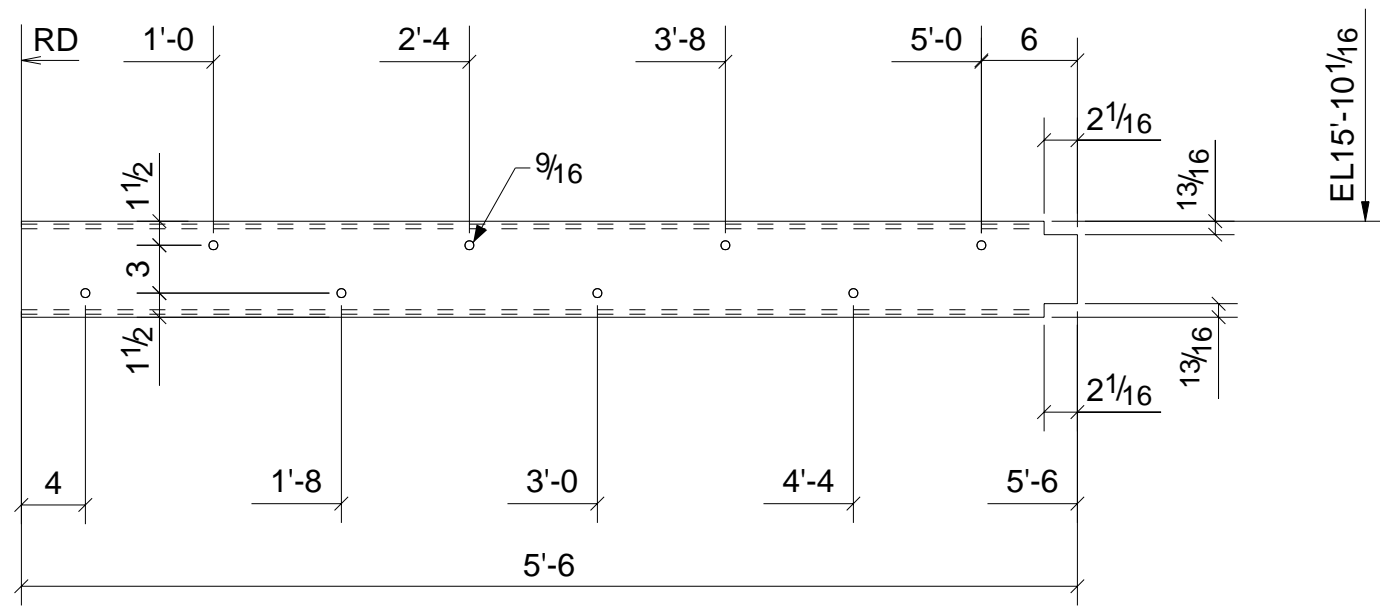
0	ISSUED FOR APPROVAL	03.05.18
REV	DESCRIPTION	DATE

D&R STEEL WORKS
 15385 HWY 90 E
 CASTROVILLE, TX 78009

DESCRIPTION	HONDO MEDICAL CENTER		
PROJECT NAME	HONDO MEDICAL CENTER		
DRAWN BY	DW, LLC.	JOB No.	DRG No.
DATE DRAWN	03/04/2018		23

BILL OF MATERIAL

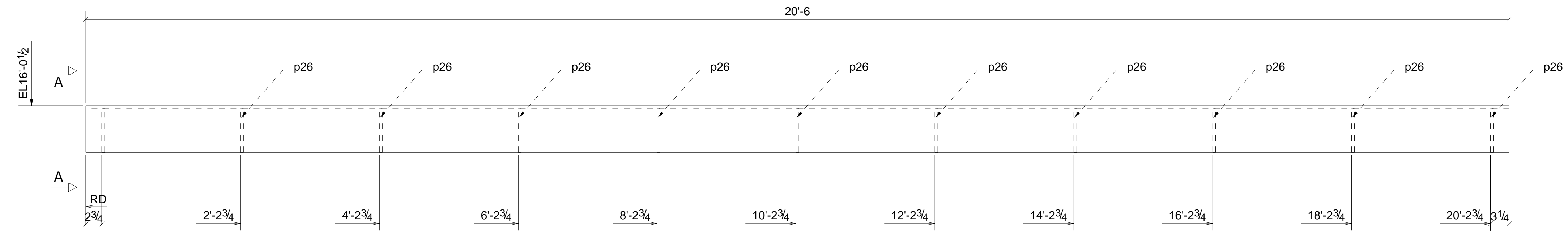
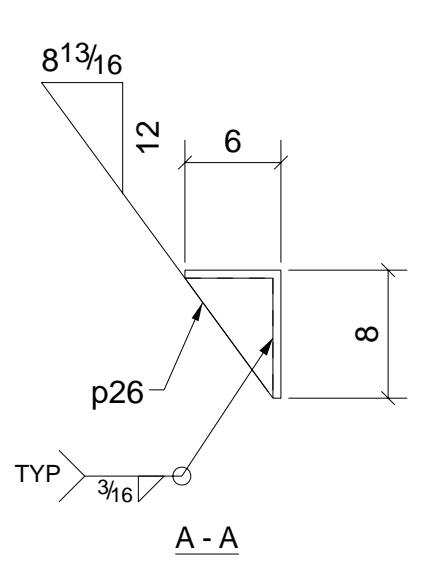
MARK	QTY	DESCRIPTION	LENGTH	WEIGHT	REMARKS
24CF1	9	C6 FRAMINGS			SO-2
24CF1	9	C6X8.2	5'-6"	403	SHOP PRIMER A36
24S1	1	CHANNEL STIFFENER			SO-2
24S1	1	C6X8.2	1'-7 5/8"	13	SHOP PRIMER A36
24S2	5	CHANNEL STIFFENERS			SO-2
24S2	5	C6X8.2	1'-7 5/8"	67	SHOP PRIMER A36
24SA1	1	SUPPORT ANGLE			SO-2
24SA1	1	L8X6X1/2	20'-6"	474	SHOP PRIMER A36
p26	11	FL1/2"X5 1/2"	0'-7 1/2"	32	SHOP PRIMER A36
24SA2	1	SUPPORT ANGLE			SO-2
24SA2	1	L6X6X1/2	18'-7 7/8"	366	SHOP PRIMER A36
p70	8	FL1/2"X5 1/2"	0'-5 1/2"	17	SHOP PRIMER A36
24SA3	1	SUPPORT ANGLE			SO-2
24SA3	1	L6X6X3/8	15'-4 1/4"	229	SHOP PRIMER A36
24SA4	1	SUPPORT ANGLE			SO-2
24SA4	1	L6X6X3/8	8'-3 3/4"	124	SHOP PRIMER A36
24SA5	1	SUPPORT ANGLE			SO-2
24SA5	1	L6X6X3/8	14'-5 3/4"	216	SHOP PRIMER A36
24SA6	4	SUPPORT ANGLES			SO-2
24SA6	4	L6X6X1/2	4'-5 3/16"	348	SHOP PRIMER A36
24SA7	1	SUPPORT ANGLE			SO-2
24SA7	1	L6X6X1/2	23'-0 1/4"	452	SHOP PRIMER A36
24SA8	1	SUPPORT ANGLE			SO-2
24SA8	1	L6X6X1/2	1'-7 3/4"	32	SHOP PRIMER A36
TOTAL WEIGHT THIS DRAWING				2774	



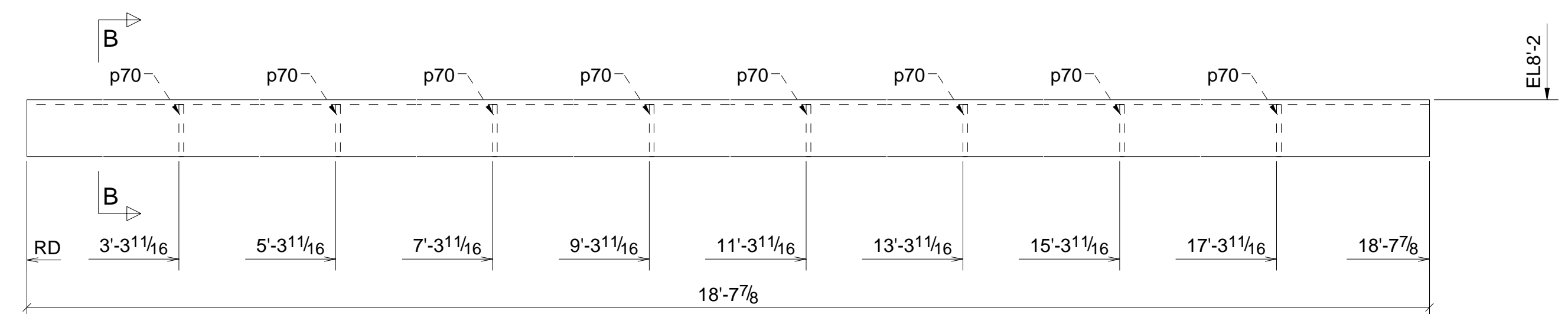
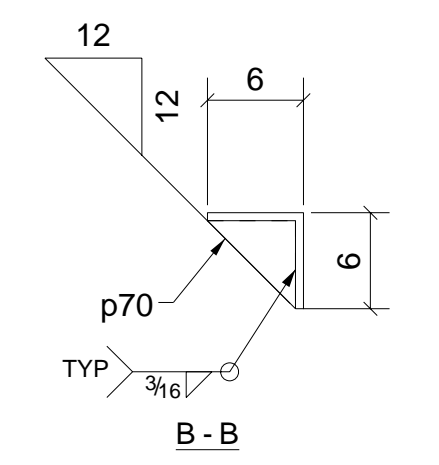
1 - CHANNEL STIFFENER - 24S1

5 - CHANNEL STIFFENER - 24S2

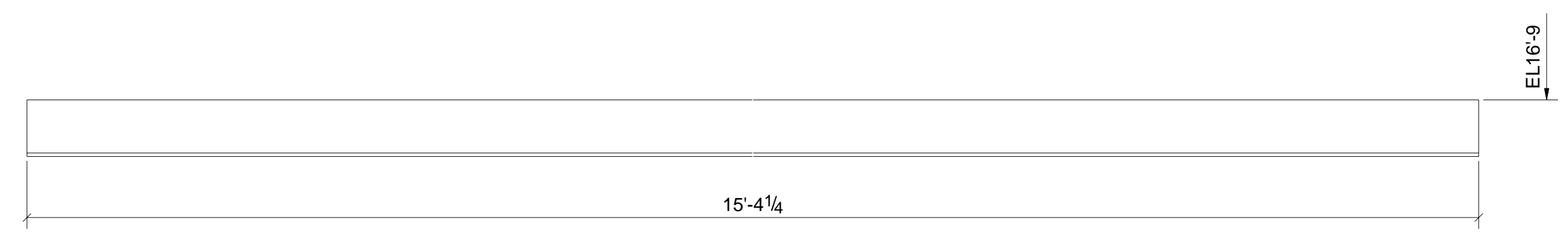
9 - C6 FRAMING - 24CF1



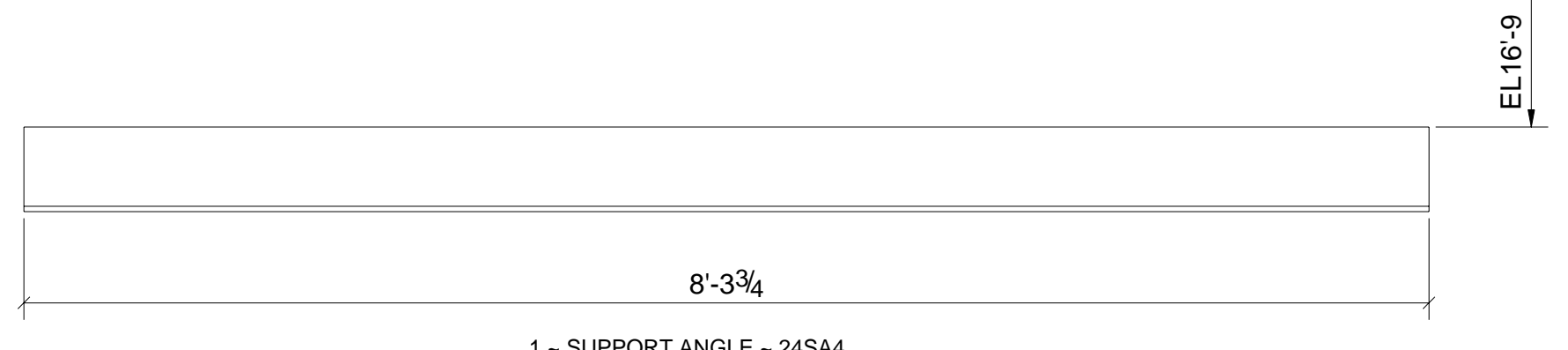
1 - SUPPORT ANGLE - 24SA1



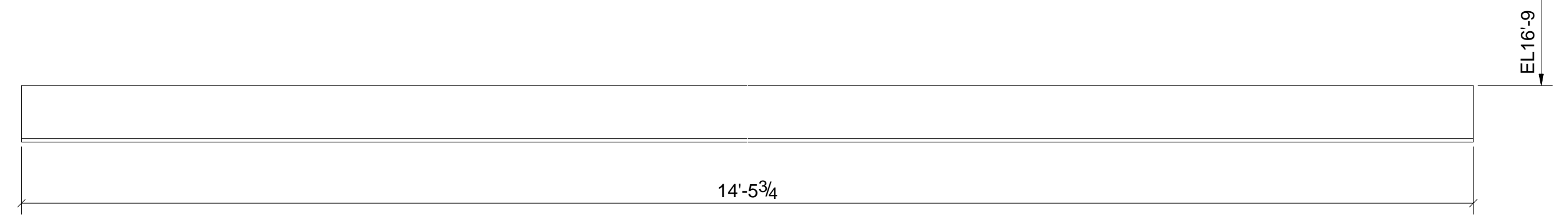
1 - SUPPORT ANGLE - 24SA2



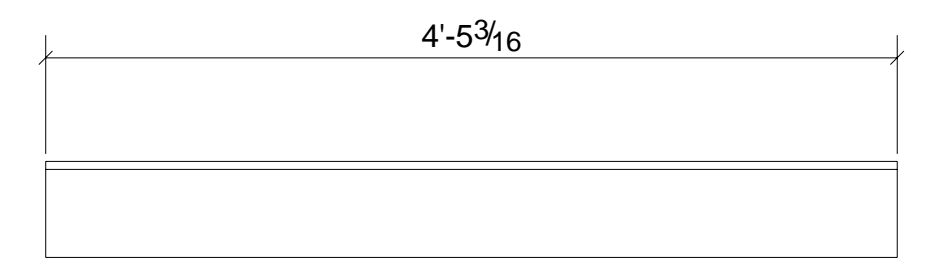
1 - SUPPORT ANGLE - 24SA3



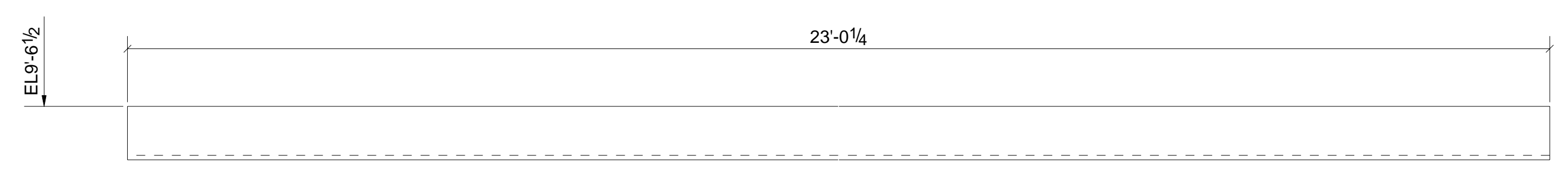
1 - SUPPORT ANGLE - 24SA4



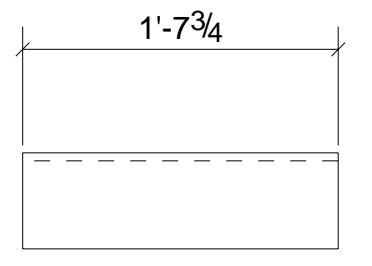
1 - SUPPORT ANGLE - 24SA5



4 - SUPPORT ANGLE - 24SA6



1 - SUPPORT ANGLE - 24SA7

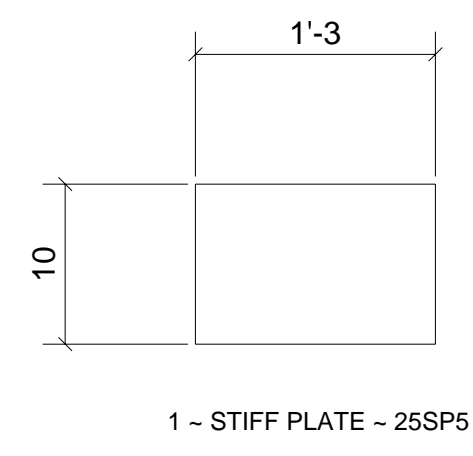
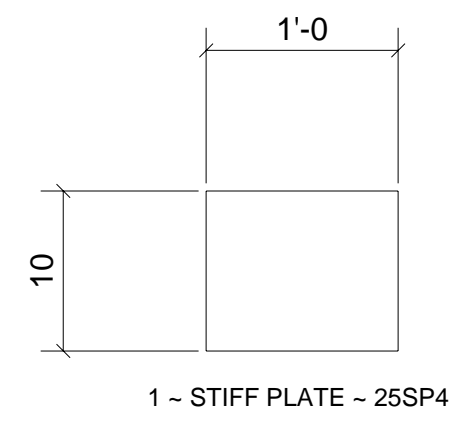
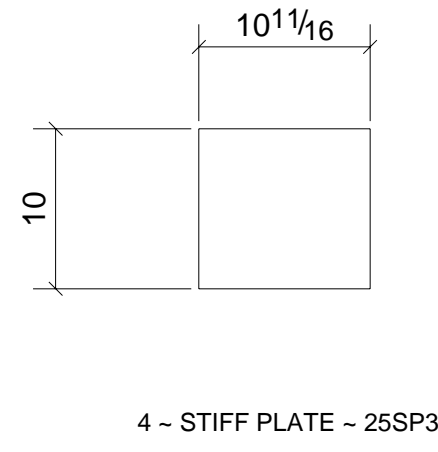
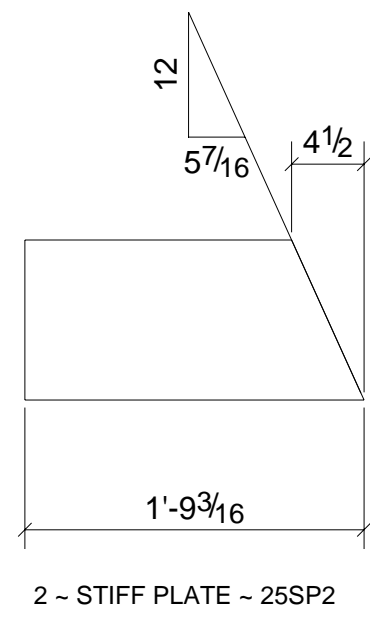
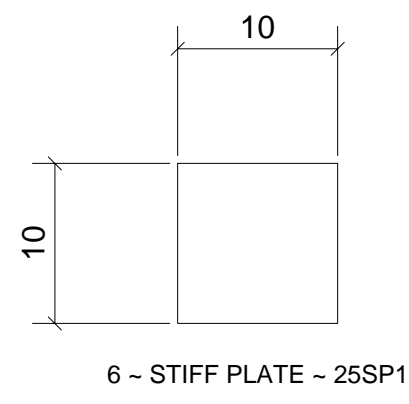
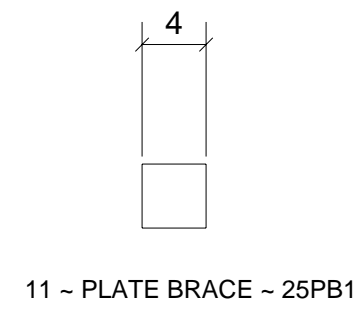
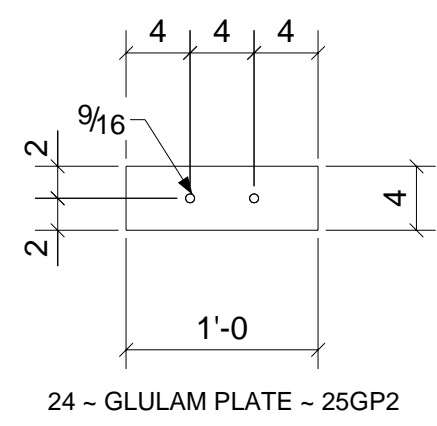
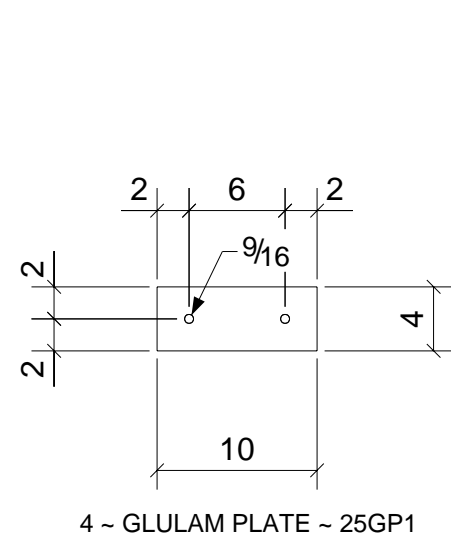


1 - SUPPORT ANGLE - 24SA8

0	ISSUED FOR APPROVAL	03.05.18
REV	DESCRIPTION	DATE

D&R STEEL WORKS
 15385 HWY 90 E
 CASTROVILLE, TX 78009

DESCRIPTION	HONDO MEDICAL CENTER		
PROJECT NAME	HONDO MEDICAL CENTER		
DRAWN BY	DW, LLC.	JOB No.	DRG No.
DATE DRAWN	03/04/2018		24



BILL OF MATERIAL

MARK	QTY	DESCRIPTION	LENGTH	WEIGHT	REMARKS
25GP1	4	GLULAM PLATES			SO-2
25GP1	4	FL3/8"X4"	0'-10"	17	SHOP PRIMER A36
25GP2	24	GLULAM PLATES			SO-2
25GP2	24	FL3/8"X4"	1'-0"	121	SHOP PRIMER A36
25PB1	11	PLATE BRACES			SO-2
25PB1	11	FL3/8"X4"	0'-4"	19	SHOP PRIMER A36
25SP1	6	STIFF PLATES			SO-2
25SP1	6	FL1/2"X10"	0'-10"	85	SHOP PRIMER A36
25SP2	2	STIFF PLATES			SO-1/BEV-1
25SP2	2	FL1/2"X10"	1'-9 3/16"	54	SHOP PRIMER A36
25SP3	4	STIFF PLATES			SO-2
25SP3	4	FL1/2"X10"	0'-10 11/16"	61	SHOP PRIMER A36
25SP4	1	STIFF PLATE			SO-2
25SP4	1	FL1/2"X10"	1'-0"	17	SHOP PRIMER A36
25SP5	1	STIFF PLATE			SO-2
25SP5	1	FL1/2"X10"	1'-3"	21	SHOP PRIMER A36
TOTAL WEIGHT THIS DRAWING				395	

0	ISSUED FOR APPROVAL	03.05.18
REV	DESCRIPTION	DATE

D&R STEEL WORKS
 15385 HWY 90 E.
 CASTROVILLE, TX 78009

DESCRIPTION			
PROJECT NAME	HONDO MEDICAL CENTER		
DRAWN BY	DW, LLC.	JOB No.	DRG No.
DATE DRAWN	03/04/2018		25