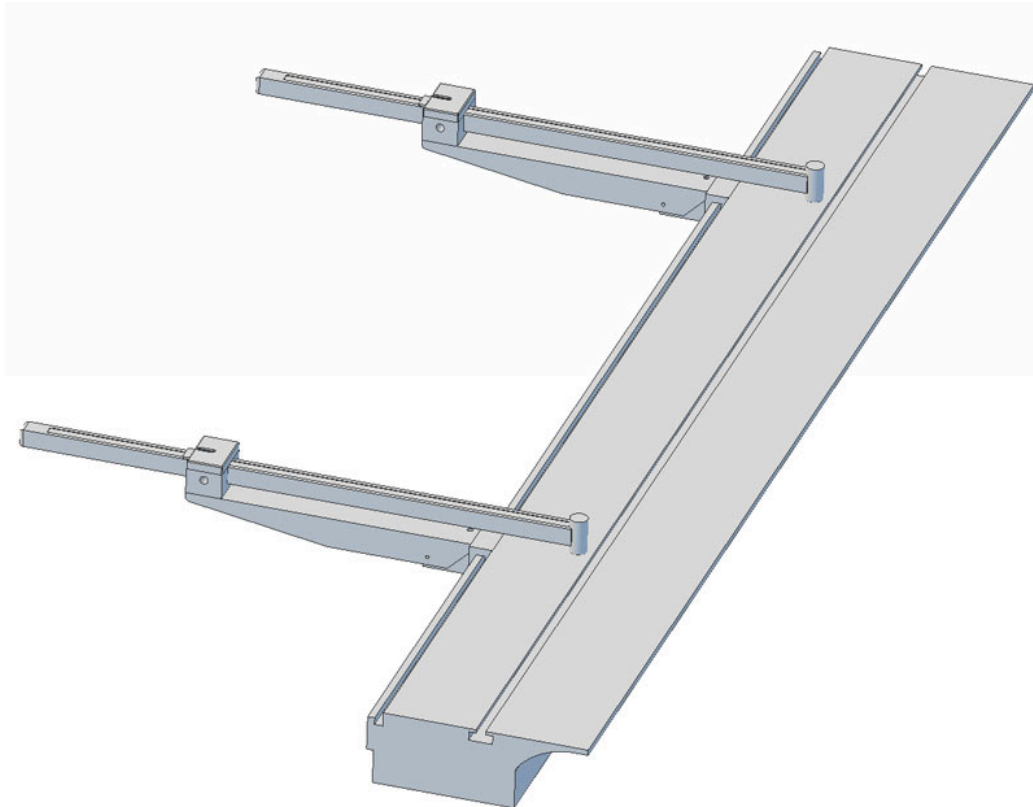


Parallel Fences

The Lamb Tool Works Parallel Fence attaches to the outrigger of various sliding table saws and gives you several distinct advantages. The ability to cut pieces parallel over any length with great precision, cutting accurate tapers calculated in degrees or taper per foot/meter, and act somewhat as a support table for wider pieces of material over the length of the slider.

Pictures are of a prototype set, the production model will be anodized and have slightly different machining methods.

The graphic below shows how to set the Parallel Fences for parallel cuts. Both fences will be attached to the slider, can be set whatever distance apart is convenient, and both measuring rods are set to the same setting. This will provide parallel pieces repetitively with great accuracy and speed. Realistic widths are from approximately 1" wide to over 24"-26" (depending upon machine), which will get you to the middle of a 48" wide panel.

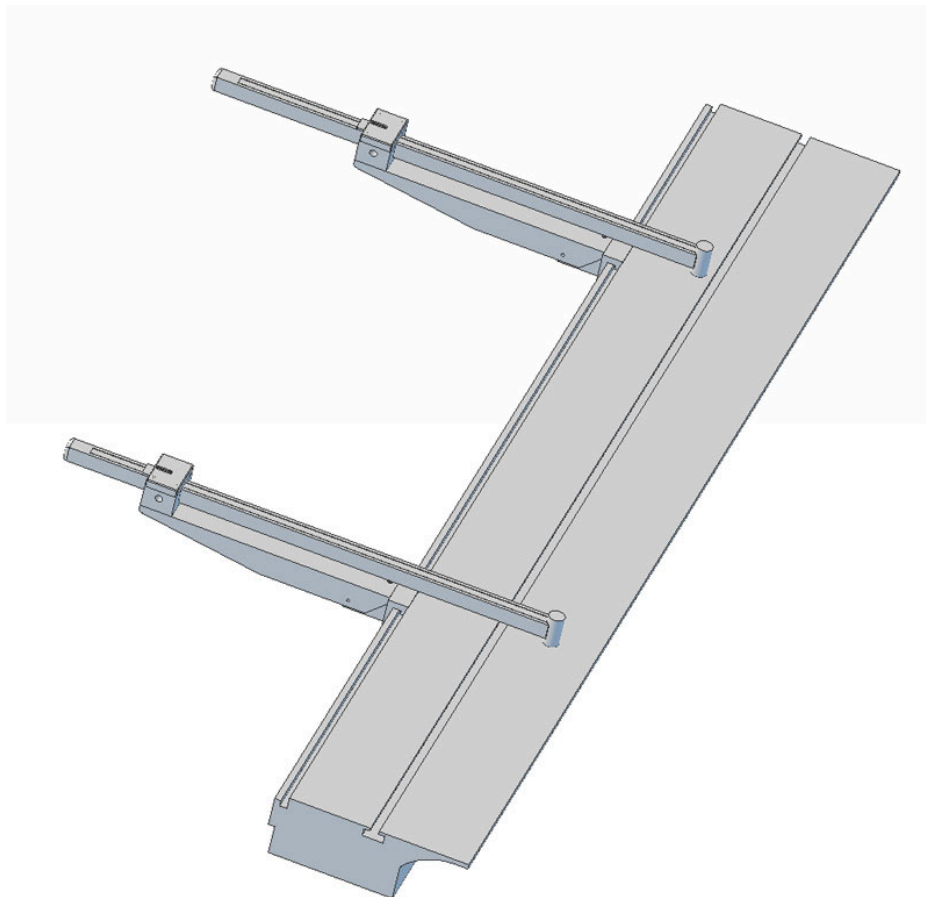


Parallel Fences

The graphic shown below is for cutting angled or tapered parts. Tapers can be set very easily in several ways. If you want a specific taper, say 1/2" per foot, you can space the Parallel Fences apart say 24" center to center (of the round end stops) and then set one fence 1" larger/smaller than the other, this will give you 1/2" taper per foot. Just multiply the taper you want by the value in feet of the spacing between the end stops.

For cutting specific angles a little math is involved. Again, set the Parallel Fences a specific distance apart that will work on your material, lets say 20" in this example. We want to cut a 5° angle, we use a calculator and find the tangent of the angle we want to cut, 5°, the tangent is .0874886 and times that by the distance between the end stops, which is 20", so the value is 1.7497", we'll round to 1.75". So one stop will get set 1.75" closer/further than the other and you will get a cut at exactly 5°. The calculation is as follows: $\tan A \times B = C$, where A is your angle, B is the center to center distance, and C will be the difference the stops need to be set from each other.

The ability to set the taper so easily is especially handy when tapering table legs, you can cut the single taper on two adjacent sides, then double the setback amount you are using and cut the two opposite sides and you will have nice consistent tapers on all four sides. Much easier than tapering off cuts back onto the parts to have a straight surface to locate on.



Parallel Fences

Currently the Parallel Fences will be available for Felder F-channel sliders (pre-X-roll), the P-channel sliders (X-Roll) and the Hammer sliders. Other brands will need dimensions and specifications submitted to see if a custom head can be designed to use the Parallel Fences on other brands of machines. (See drawings at the end)

Pricing will be \$400 each fence, that includes the necessary mounting hardware and a Starrett inch/mm self adhesive scale. Shipping will be in addition to the purchase price.

If, at a future point, a customer changes machines and would like to use the fences on another machine, they have been designed so that in most cases, a new head can be supplied and changed out to fit. You would most likely need a new tape measure as it is doubtful one machine to another will be the same, although there is some adjustment of the hairline pointer.

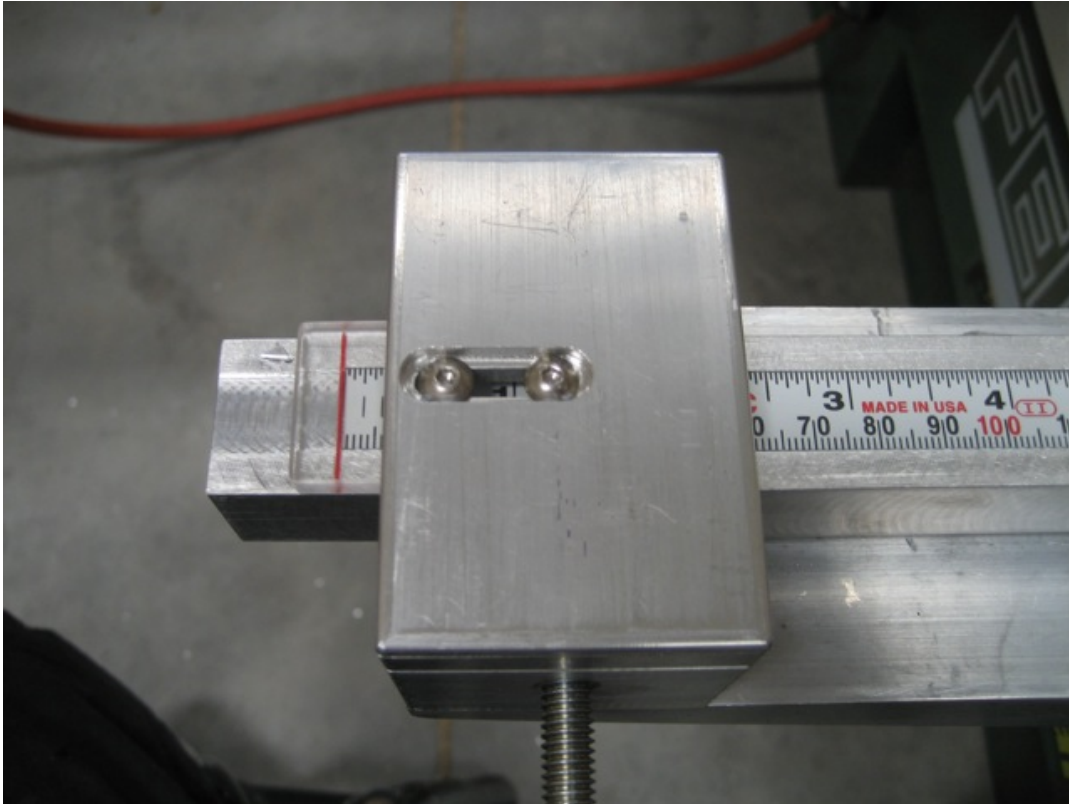
Some pictures of the prototype units, production models will have nicer fit and finish and be anodized for a durable finish.

Showing the measuring rod set to the edge of the blade for zeroing:

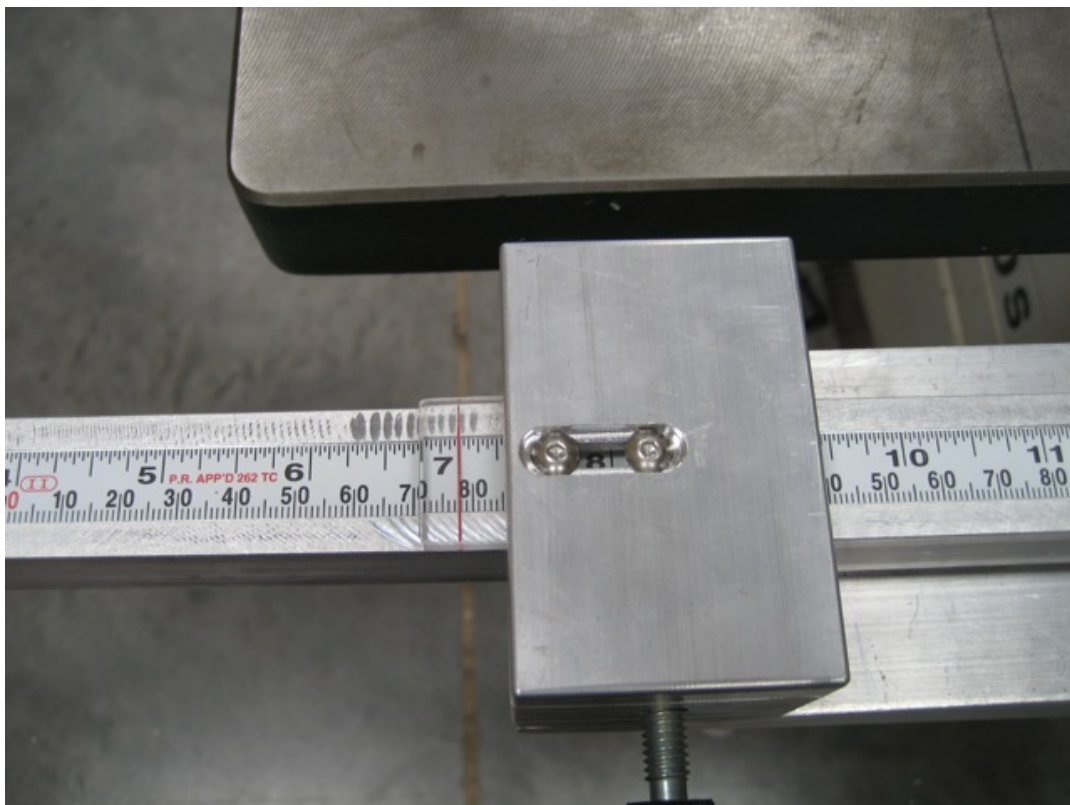


Parallel Fences

Hairline pointer set at zero, note adjustment available with two allen screws:



Showing the pointer and stop set at 7", metric readings are also on the tape. The hairline is just 1/32" or less above the tape surface for accurate readings:

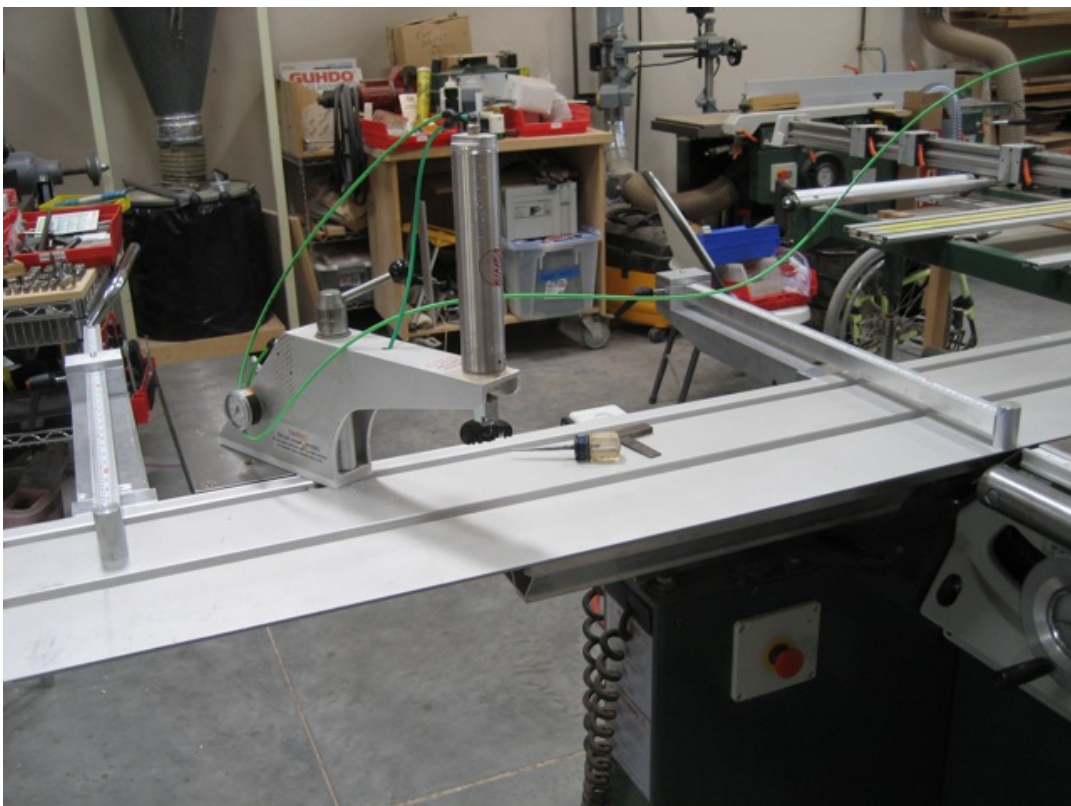


Parallel Fences

Stop set at blade for zeroing:

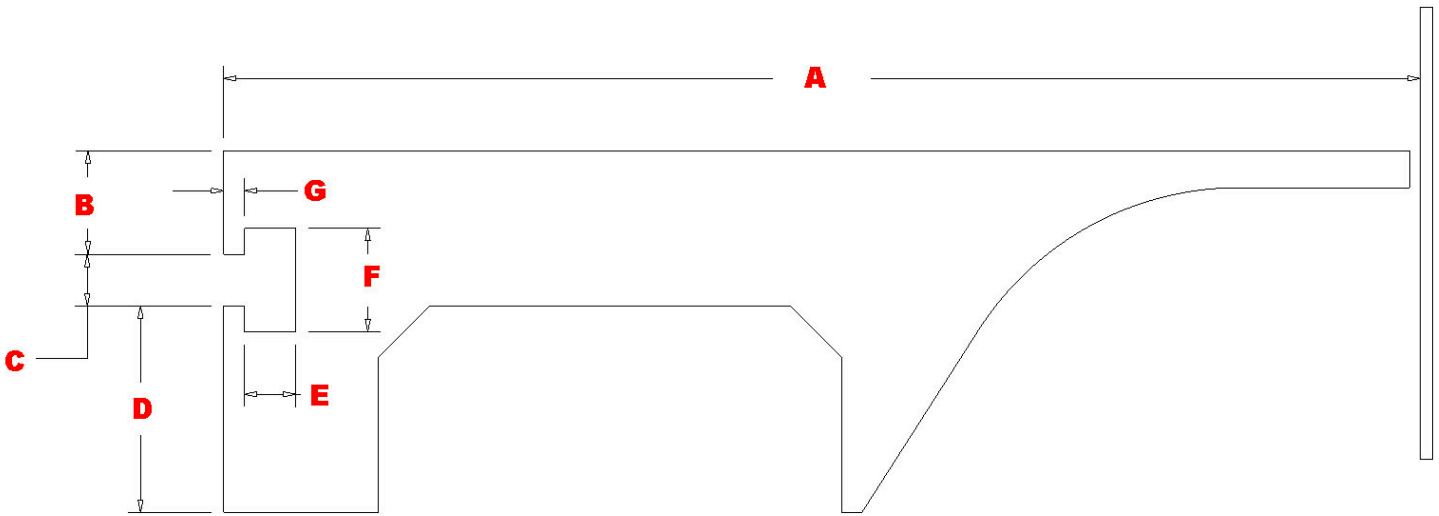


Two Parallel Fences installed showing angle possibilities:



Parallel Fences

These drawings can be used to provide necessary information to see if a Parallel fence can be made to fit your specific machine. There are several styles of attachment to the sliders, most involve a hook, a t-slot, or a round bar that will allow mounting of accessories. Please contact Lamb Tool Works if you need a different sketch than provided to get dimensions based on your style of machine.



A = The distance from the blade to the edge of the slider

B= Distance from the top surface of the slider to the top of the T-slot

C= Width of T-slot

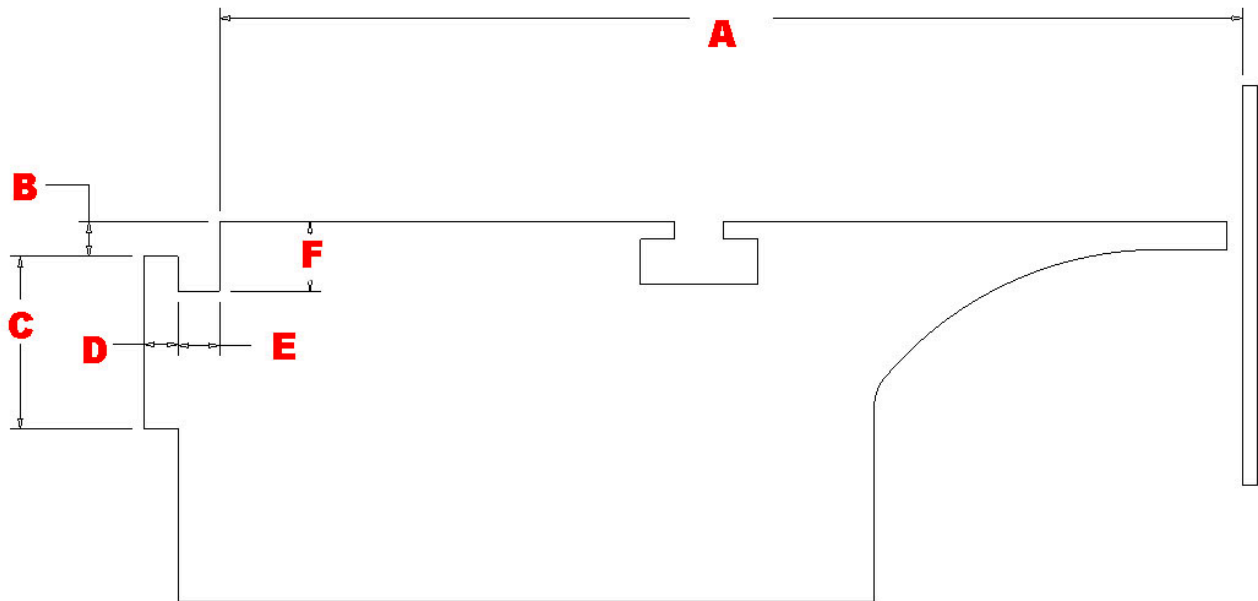
D= Remaining face for attachments to bear against

E= Thickness of slot available for T-nut

F= width of slot for T-nut

G= Thickness of lip

Parallel Fences



A= Distance from blade to edge of slider

B= Distance from top to step

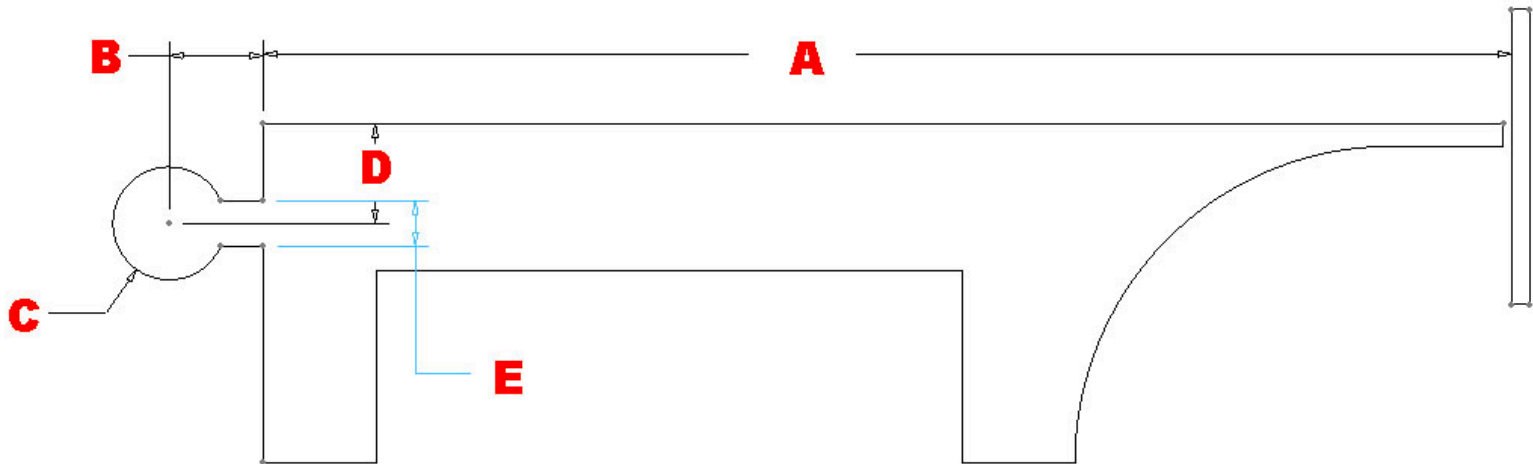
C= Width of support area

D= Width of hook portion

E= Width of channel

F= Depth of channel

Parallel Fences



A= Distance from blade to edge of slider

B= Distance from centerline of round bar to edge of slider

C= Diameter of round bar

D= Distance from top of slider to center of round bar

E= Width of support for round bar