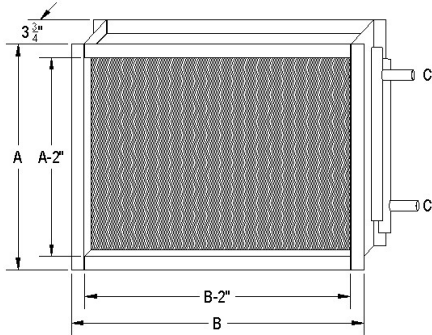




## 1 Row Hot Water Duct Coils



- Built to ARI 410 Certification
- Galvanized Steel 16 Ga. frame
- Aluminum Fins, .006 thickness
- Copper Tubing, 1/2" w/ .017 wall
- Max 500 PSI Operating Pressure
- Max 2500 PSI Ultimate Pressure
- BTU outputs from 10,000 to 111,000
- Horizontal/Vertical Installation
- Full one year warranty
- Call for other performance criteria ratings

Part Number	GPM	CFM	140 EWT	180 EWT	APD	A	B	C
H2O-1-1212-04	4	400	10,700	16,810	.06	14.5	14	7/8 OD
		600	13,000	20,540	.12			
		800	14,680	23,290	.19			
	WPD		.54	.52				
H2O-2-1218-04	4	800	17,940	28,280	.10	14.5	20	7/8 OD
		1000	19,750	31,210	.14			
		1200	21,210	33,610	.19			
	WPD		.62	.59				
H2O-1-1224-04	4	1200	24,420	38,500	.12	14.5	26	7/8 OD
		1400	25,950	40,990	.15			
		1600	27,260	43,130	.19			
			.70	.66				
H2O-1-1515-03	5	800	30,700	19,630	.10	17	17	7/8 OD
		1000	34,230	21,840	.14			
		1200	37,190	23,680	.19			
	WPD		1.72	1.62				
H2O-1-1520-03	5	1200	26,990	42,230	.12	17	22	7/8 OD
		1400	28,910	45,300	.15			
		1600	30,580	47,980	.19			
	WPD		1.99	1.87				
H2O-1-1524-03	5	1600	33,200	51,970	.14	17	26	7/8 OD
		1800	34,870	54,540	.17			
		2000	36,350	57,020	.20			
	WPD		2.2	2.06				

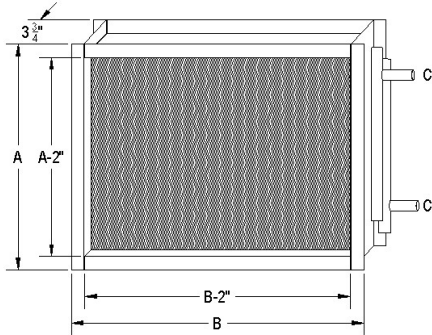
**In STOCK**

**D-VAC Sales Inc.**

[www.dvachvac.com](http://www.dvachvac.com)   
 TEL: (516) 256-3131   
 e-mail: [sales@dvachvac.com](mailto:sales@dvachvac.com)  
 HQ: Massapequa, NY   
 Warehouse: Monticello, NY   
 Brooklyn, NY   
 Valley Stream, NY



## 1 Row Hot Water Duct Coils



- Built to ARI 410 Certification
- Galvanized Steel 16 Ga. frame
- Aluminum Fins, .006 thickness
- Copper Tubing, 1/2" w/ .017 wall
- Max 500 PSI Operating Pressure
- Max 2500 PSI Ultimate Pressure
- BTU outputs from 10,000 to 111,000
- Horizontal/Vertical Installation
- Full one year warranty
- Call for other performance criteria ratings

Part Number	GPM	CFM	140 EWT	180 EWT	APD	A	B	C
H2O-1-1718-05	6	1200	26,840	42,200	.11	19.5	20	7/8 OD
		1400	28,720	45,250	.14			
		1600	30,360	47,910	.18			
	WPD		1.15	1.1				
H2O-1-1724-05	6	1800	36,540	57,490	.13	19.5	26	7/8 OD
		2000	38,130	60,070	.16			
		2200	39,570	62,390	.19			
	WPD		1.27	1.21				
H2O-1-1730-05	6	2400	77,340	103,690	.15	19.5	32	7/8 OD
		2600	79,740	106,990	.17			
		2800	82,120	110,360	.19			
	WPD		1.39	1.33				
H2O-1-2024-06	8	2000	42,680	67,040	.13	22	26	7/8 OD
		2200	44,460	69,910	.15			
		2400	46,090	72,540	.17			
	WPD		1.83	1.76				
H2O-1-2030-06	8	2800	54,430	85,520	.15	22	32	1 1/8 OD
		3000	55,930	87,940	.17			
		3200	57,930	90,200	.19			
	WPD		1.31	1.24				
H2O-1-2036-06	8	3200	62,300	97,760	.14	22	38	1 1/8 OD
		3600	69,390	102,470	.17			
		4000	68,280	107,470	.20			
	WPD		1.45	1.37				

Performance data based on 65° EAT,

