

AALUX4 | ALUX™

ARCHITECTURAL ALUMINUM BASEBOARD



A HEATER WITH A LOT TO OFFER

The AALUX4 is an impressive blend of contemporary design and superior performance. Its durable steel cabinet is decorated with an elegant aluminum grille and offers a remarkable heat density of 500 W per linear foot. Its unique airflow configuration complements its appearance making it the leader in its class and a popular choice for professionals in the industry.

EXTRUDED ALUMINUM FRONT AND TOP COVER

WITH A UNIQUE, LUXURY DESIGN

EXTREMELY SOLID, IMPACT AND RUST RESISTANT

OFFERED IN THREE WATT DENSITIES

PERSONALIZED INSTALLATION BLANK SECTIONS, PEDESTALS AND CLEAN BACKS AVAILABLE

IDEAL FOR:

shopping mall, hospital, office, hotel,
lobby, hallway

COLORS

- **standard:** white, soft white
- **luxury finish:** anodized aluminum (see price list)
- **ORORA (optional):** refer to www.stelpro.com/en-US/orora

FINISH

- epoxy-polyester powdercoat or anodized aluminum finish

MANUFACTURING

- dimensions: 4 3/8 in. x 6 3/4 in.
- solid 20-gauge steel cabinet and extremely resistant extruded aluminum front cover with a thickness equivalent to 10 gauge
- front air intake and top air discharge (bottom air intake available on demand [BT])
- thermal protection with automatic reset
- full-length wireway
- pencil-proof openings of less than 1/4 in. prevent foreign objects from entering the unit

ELEMENTS

- double tubular elements, stainless steel sheathed with boxed aluminum fins for improved heat dissipation; the elements are securely fastened at their centres, floating in nylon sleeves at each end, eliminating expansion and contraction noises

CONTROL

- wall thermostat (not included) – the use of an electronic thermostat is strongly recommended
- built-in tamper-proof thermostat accessible without removing front grille, installed in the left or right junction box (optional)
- low voltage relay kit installed in the left or right junction box (optional)

INSTALLATION

- surface mounted
- wall or floor mounted with or without pedestal kit (optional)
- at least 3 in. from the floor (models with BT option only)
- wiring compartments at both ends of unit
- for a continuous look, custom blank sections with a simple attachment system are available (optional)

WARRANTY

- three years

°STELPRO

°STELPRO reserves the right to modify descriptions, manufacturing specifications or prices without prior notice. No returns accepted on optional-color products. For all the latest models and prices, please refer to our website at www.stelpro.com.



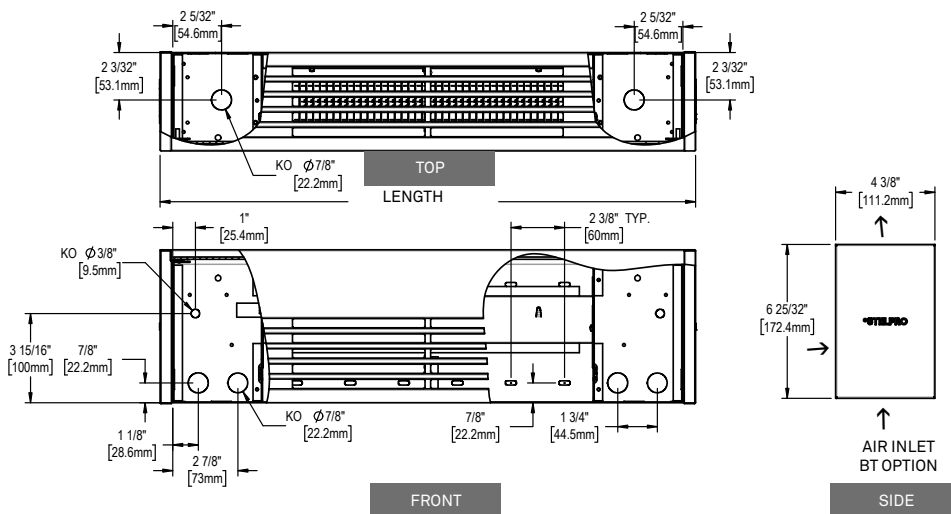
FC_AALUX4_US_061118

TECHNICAL SPECIFICATIONS

DENSITY OF 500 W PER LINEAR FOOT			DENSITY OF 400 W PER LINEAR FOOT			DENSITY OF 300 W PER LINEAR FOOT			VOLTAGE	LENGTH	WEIGHT	PRICE		
CODE	WATTS	BTU/H	CODE	WATTS	BTU/H	CODE	WATTS	BTU/H	VOLTS	IN.	LB	W	OR SW	CA
AALUX406108	1000	3413	AALUX406088	800	2730	AALUX406068	600	2048	208	23 5/8	9	609.50		676.50
AALUX406102	1000	3413	AALUX406082	800	2730	AALUX406062	600	2048	240	23 5/8	9	609.50		676.50
AALUX406107	1000	3413	AALUX406087	800	2730	AALUX406067	600	2048	277	23 5/8	9	609.50		676.50
AALUX409158	1500	5119	AALUX409128	1200	4095	AALUX409098	900	3071	208	35 7/16	13	697.50		763.00
AALUX409152	1500	5119	AALUX409122	1200	4095	AALUX409092	900	3071	240	35 7/16	13	697.50		763.00
AALUX409157	1500	5119	AALUX409127	1200	4095	AALUX409097	900	3071	277	35 7/16	13	697.50		763.00
AALUX409155	1500	5119	---	1200	4095	---	900	3071	480	35 7/16	13	697.50		763.00
AALUX412208	2000	6825	AALUX412168	1600	5460	AALUX412128	1200	4095	208	47 1/4	17	787.50		853.50
AALUX412202	2000	6825	AALUX412162	1600	5460	AALUX412122	1200	4095	240	47 1/4	17	787.50		853.50
AALUX412207	2000	6825	AALUX412167	1600	5460	AALUX412127	1200	4095	277	47 1/4	17	787.50		853.50
AALUX412205	2000	6825	AALUX412165	1600	5460	---	1200	4095	480	47 1/4	17	787.50		853.50
AALUX415258	2500	8532	AALUX415208	2000	6825	AALUX415158	1500	5119	208	59 1/16	20	875.50		942.50
AALUX415252	2500	8532	AALUX415202	2000	6825	AALUX415152	1500	5119	240	59 1/16	20	875.50		942.50
AALUX415257	2500	8532	AALUX415207	2000	6825	AALUX415157	1500	5119	277	59 1/16	20	875.50		942.50
AALUX415255	2500	8532	AALUX415205	2000	6825	AALUX415155	1500	5119	480	59 1/16	20	875.50		942.50
AALUX418308	3000	10238	AALUX418248	2400	8190	AALUX418188	1800	6143	208	70 7/8	25	963.50		1029.50
AALUX418302	3000	10238	AALUX418242	2400	8190	AALUX418182	1800	6143	240	70 7/8	25	963.50		1029.50
AALUX418307	3000	10238	AALUX418247	2400	8190	AALUX418187	1800	6143	277	70 7/8	25	963.50		1029.50
AALUX418305	3000	10238	AALUX418245	2400	8190	AALUX418185	1800	6143	480	70 7/8	25	963.50		1029.50
AALUX421358	3500	11944	AALUX421288	2800	9556	AALUX421218	2100	7167	208	82 11/16	29	1053.50		1120.50
AALUX421352	3500	11944	AALUX421282	2800	9556	AALUX421212	2100	7167	240	82 11/16	29	1053.50		1120.50
AALUX421357	3500	11944	AALUX421287	2800	9556	AALUX421217	2100	7167	277	82 11/16	29	1053.50		1120.50
AALUX421355	3500	11944	AALUX421285	2800	9556	AALUX421215	2100	7167	480	82 11/16	29	1053.50		1120.50
AALUX424408	4000	13651	AALUX424328	3200	10921	AALUX424248	2400	8190	208	94 1/2	34	1141.50		1208.50
AALUX424402	4000	13651	AALUX424322	3200	10921	AALUX424242	2400	8190	240	94 1/2	34	1141.50		1208.50
AALUX424407	4000	13651	AALUX424327	3200	10921	AALUX424247	2400	8190	277	94 1/2	34	1141.50		1208.50
AALUX424405	4000	13651	AALUX424325	3200	10921	AALUX424245	2400	8190	480	94 1/2	34	1141.50		1208.50

Add W for white, SW for soft white or CA for clear anodized (finish) (consult the optional colors chart or contact your °STELPRO representative for all other colors).
 --- not available

TECHNICAL DRAWINGS





ACCESSORIES

PRODUCT	DESCRIPTION	PRICE
ALUX4T12*	built-in tamper-proof single pole thermostat	155.00
ALUX4T22*	built-in tamper-proof double pole thermostat	257.50
ALUX4RE153*	built-in electronic low voltage relay [15 A @ 120 V-347 V]	81.50
ALUX4RE156*	built-in electronic low voltage relay [6 A @ 600 V]	143.00
ALUX4RE153T*	built-in electronic low voltage relay c/w transformer 24 V [15 A @ 208 V-347 V]	110.00
ALUX4RM240T*	built-in mechanical low voltage relay c/w transformer 24 V [5000 W @ 208 V/6000 W @ 240 V]	123.00
ALUX4RM347T*	built-in mechanical low voltage relay c/w transformer 24 V [6000 W @ 347 V]	122.00
ALUX4RM347C*	built-in electromechanical relay w/o transformer 24 V [6000 W @ 120 V-347 V]	90.00
ALUX4R841C1151*	built-in mechanical low voltage relay c/w transformer 24 V [6000 W @ 600 V]	176.00
ALUX4R841D1036*	built-in mechanical low voltage relay w/o transformer 24 V [6000 W @ 120 V-600 V]	138.00
ALUX4DIS250*	disconnect switch [120 V-250 V] [17 A @ 120 V-12 A @ 250 V]	152.50
ALUX4DIS600*	disconnect switch [277 V-600 V]	161.00
PK6*	pedestal kit – single (kit of two)	163.00
PK6CAP	anodized aluminum (paint) pedestal kit – single (kit of two)	185.50
PK6D*	pedestal kit – double (kit of two)	295.50
PK6DCAP	anodized aluminum (paint) pedestal kit – double (kit of two)	295.50
ALUX4JS*	joiner strip (2 in.)	176.00
ALUX4JSCAP	anodized aluminum (paint) joiner strip (2 in.)	189.50
ALUX4IC90*	inside corner (back measures 7 9/16 in. long on each side)	612.50
ALUX4IC90CA	anodized aluminum (finish) inside corner (back measures 7 9/16 in. long on each side)	662.50
ALUX4OC90*	outside corner (back measures 7 9/16 in. long on each side)	612.50
ALUX4OC90CA	anodized aluminum (finish) outside corner (back measures 7 9/16 in. long on each side)	662.50
ALUX4CB**	clean back (fully finished, no mounting holes or knockouts)	265.00
ALUX4BT*	air inlet from below/output from top	---
ALUX4SA*	full-width flush fit stand – height of 2 to 12 in	---
ALUX4SR*	full-width recessed stand (19/32 in.) – height of 2 in.	---

Electronic relays can receive a PWM (pulsed width modulation) or digital (on/off) signal

* Add W for white or SW for soft white * Factory installed

